



US00D817847S

(12) **United States Design Patent** (10) **Patent No.:** **US D817,847 S**
Yoshizawa (45) **Date of Patent:** **** May 15, 2018**

(54) **VEHICLE WHEEL**
(71) Applicant: **Hitachi Metals, Ltd.**, Tokyo (JP)
(72) Inventor: **Kenichi Yoshizawa**, St. Marys, OH (US)
(73) Assignee: **HITACHI METALS, LTD.**, Tokyo (JP)

D638,768 S * 5/2011 Nissl D12/211
D663,249 S * 7/2012 Zhang D12/211
D670,635 S * 11/2012 Pollmann D12/211
D671,472 S * 11/2012 Pollmann D12/209
D697,859 S * 1/2014 Borkert D12/211
D706,694 S * 6/2014 Wheel D12/209
D727,823 S * 4/2015 Rueckheim D12/209
D730,800 S * 6/2015 Behmer D12/211
D734,237 S * 7/2015 Juergens D12/211
D739,328 S * 9/2015 Buck D12/209

(Continued)

(**) Term: **15 Years**

FOREIGN PATENT DOCUMENTS

(21) Appl. No.: **29/526,877**
(22) Filed: **May 13, 2015**
(51) **LOC (11) Cl.** **12-16**
(52) **U.S. Cl.**
USPC **D12/213**
(58) **Field of Classification Search**
USPC D12/204–213
CPC B60B 7/00; B60B 7/02; B60B 7/04; B60B 7/01; B60B 7/06; B60B 3/02; B60B 3/04; B60B 3/06; B60B 3/10; B60B 1/00; B60B 1/08; B60B 1/10; B60B 1/12
See application file for complete search history.

CN 301913885 S 5/2012
CN 302340532 S 3/2013

Primary Examiner — Sandra Snapp
(74) Attorney, Agent, or Firm — McGinn I.P. Law Group, PLLC.

(57) **CLAIM**

The ornamental design for a vehicle wheel, substantially as shown and described.

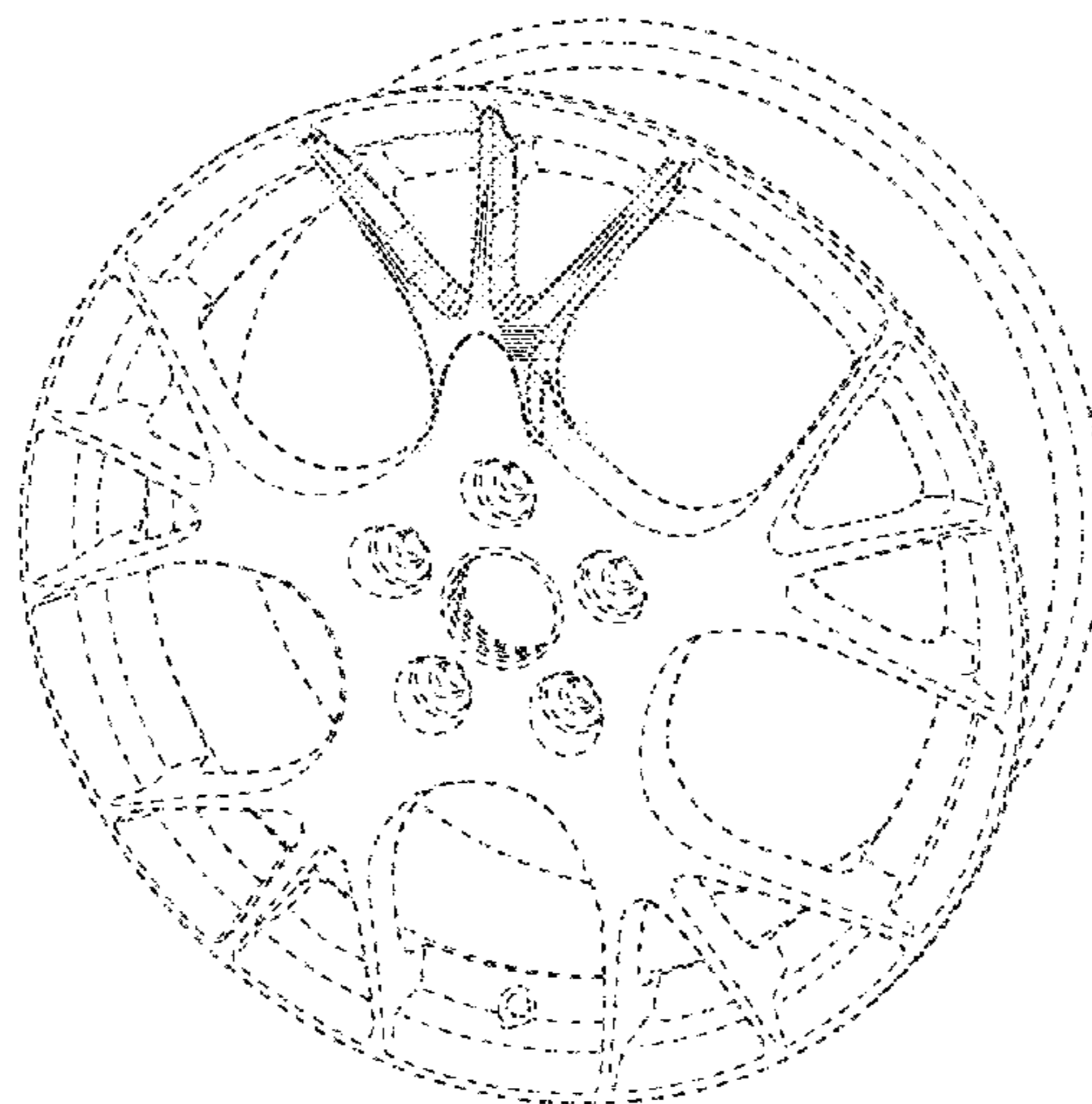
DESCRIPTION

FIG. 1 is a perspective view of a vehicle wheel embodying my new design;
FIG. 2 is an enlarged perspective view of the portion of the vehicle wheel depicted in FIG. 1;
FIG. 3 is a front view thereof;
FIG. 4 is an enlarged perspective view of the portion of the vehicle wheel depicted in FIG. 2;
FIG. 5 is a top view thereof;
FIG. 6 is a bottom view thereof; and,
FIG. 7 is a right side view thereof.
The broken line showing of the vehicle wheel is included for the purpose of illustrating portions of the article and forms no part of the claimed design. The dash-dot-dash broken line defines the bounds of the claimed design and forms no part thereof.

(56) **References Cited**
U.S. PATENT DOCUMENTS

D258,503 S * 3/1981 Semple D12/211
D371,761 S * 7/1996 Abbott D12/209
D375,076 S * 10/1996 Cattaneo D12/211
D378,078 S * 2/1997 Cattaneo D12/205
D409,552 S * 5/1999 Chung D12/211
D422,259 S * 4/2000 Johnson D12/211
D466,854 S * 12/2002 Kern D12/211
D494,917 S * 8/2004 Pollmann D12/211
D513,727 S * 1/2006 Gallert D12/211
D528,959 S * 9/2006 Sycha D12/209
D568,800 S * 5/2008 Huet D12/211
D577,650 S * 9/2008 Chung D12/211
D613,659 S * 4/2010 Cortes D12/209
D617,716 S * 6/2010 Lamm D12/211

1 Claim, 7 Drawing Sheets



(56)

References Cited

U.S. PATENT DOCUMENTS

D751,015 S *	3/2016	Mahoney	D12/209
D761,179 S *	7/2016	Chung	D12/209
D775,046 S *	12/2016	Huang	D12/209
D780,085 S *	2/2017	Bjerke	D12/209

* cited by examiner

FIG.1

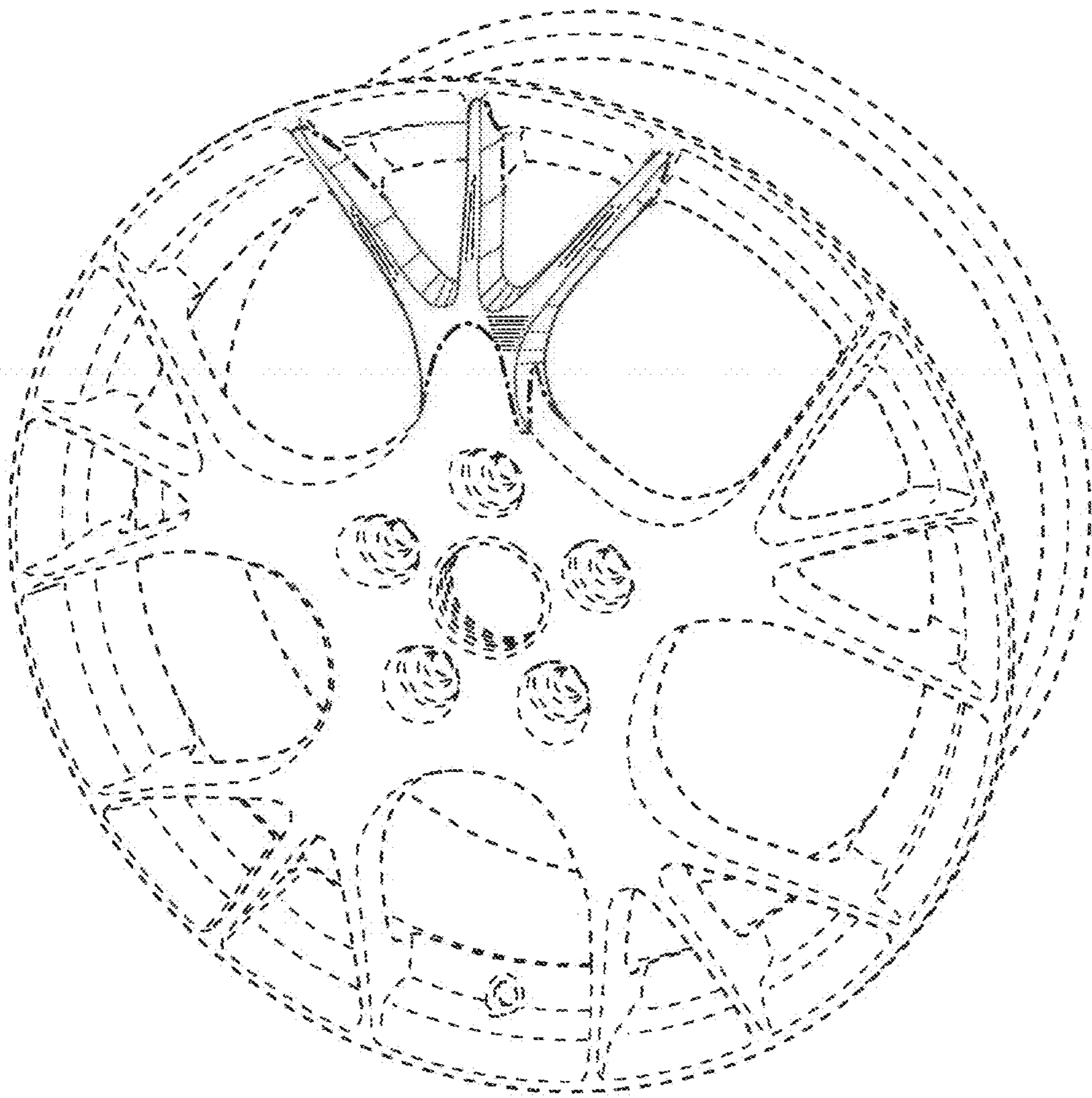


FIG.2

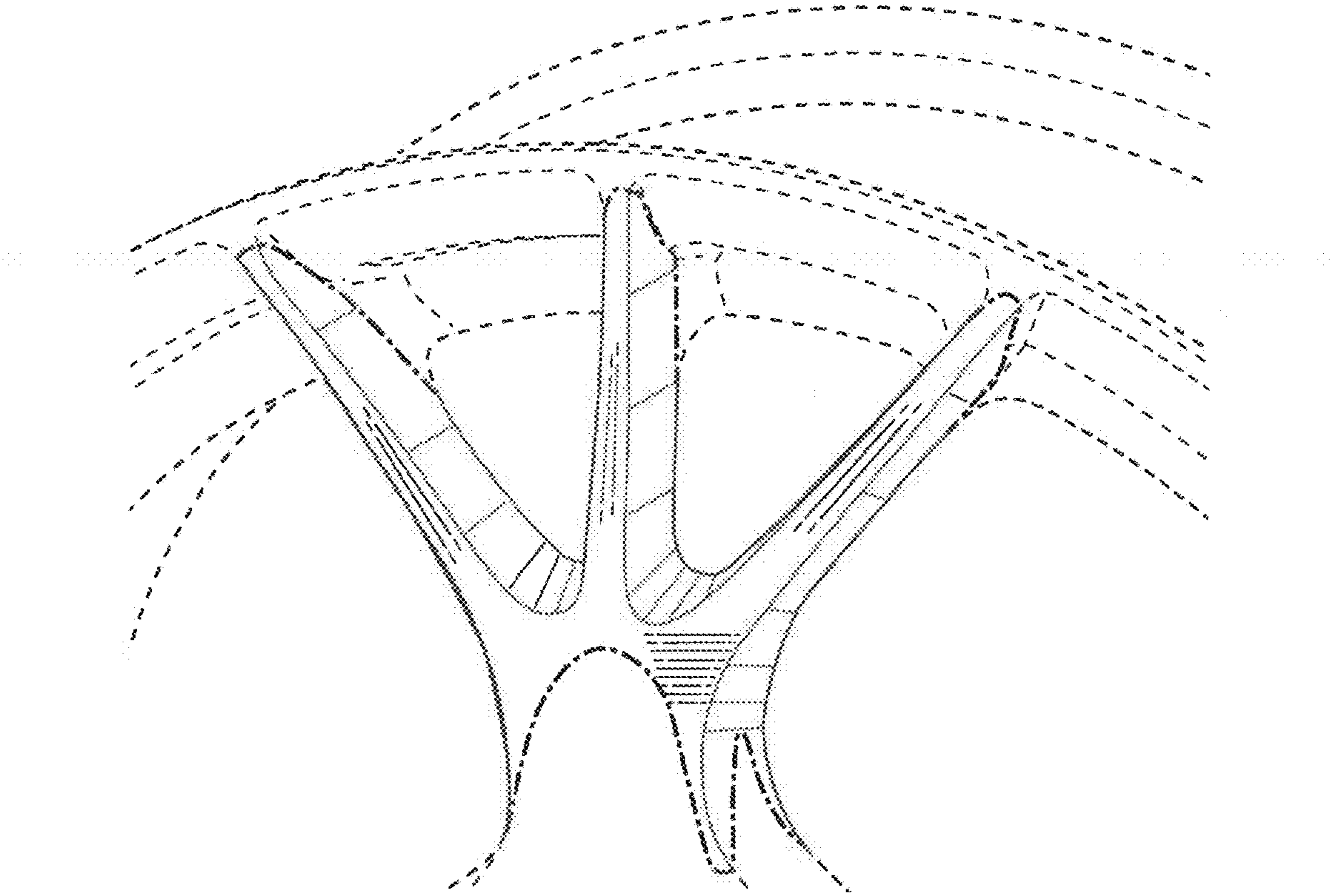


FIG.3

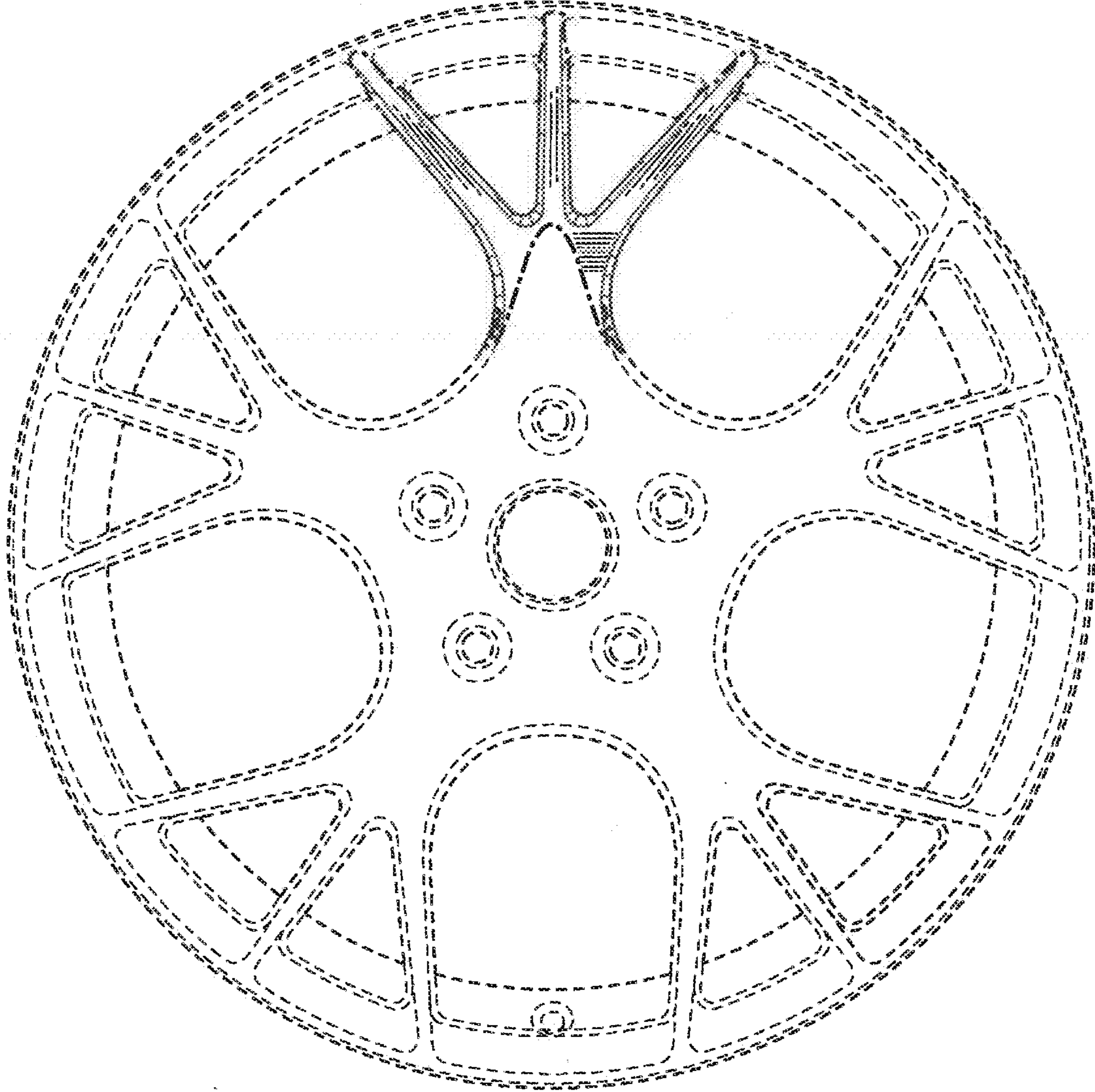


FIG.4

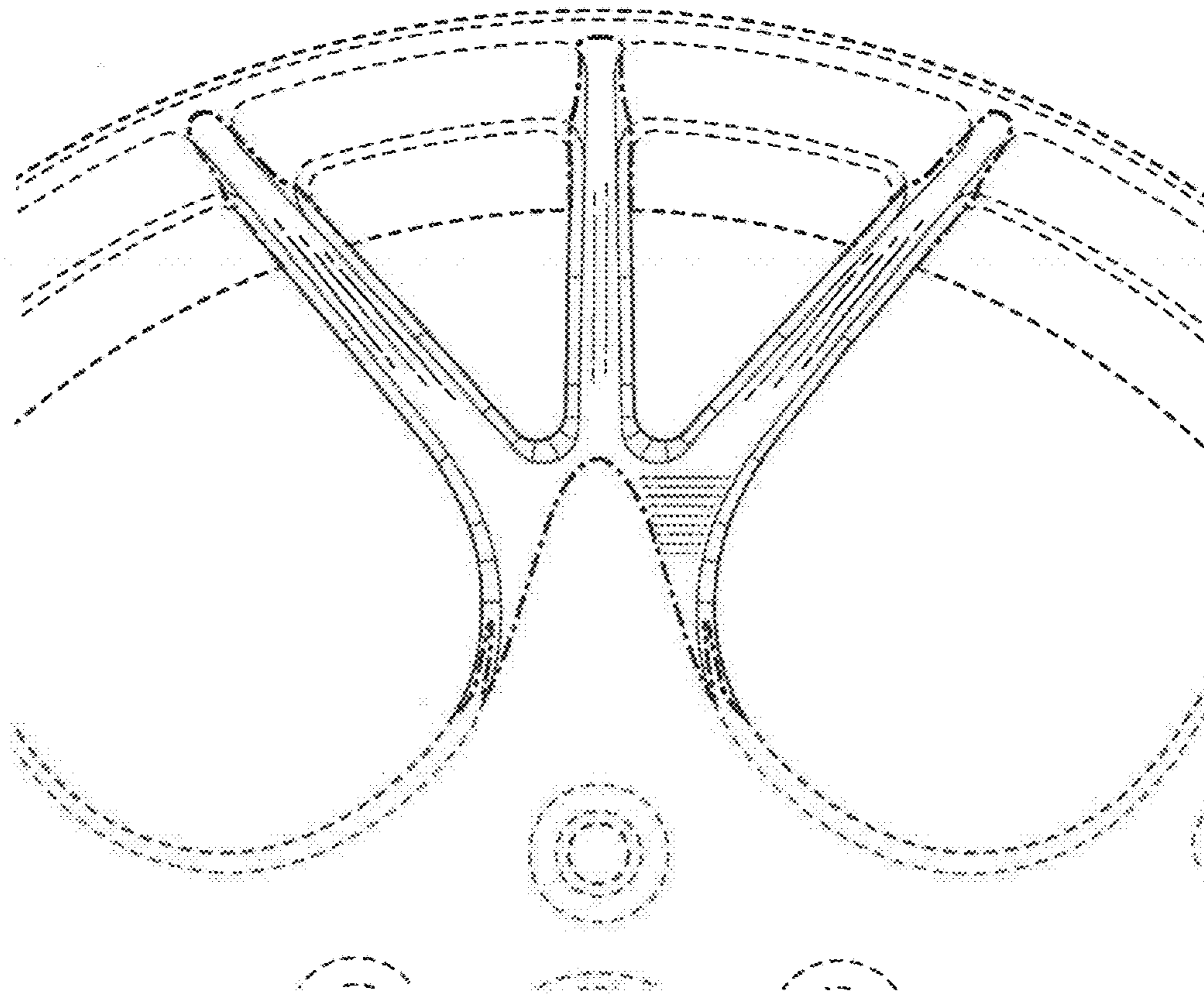


FIG.5

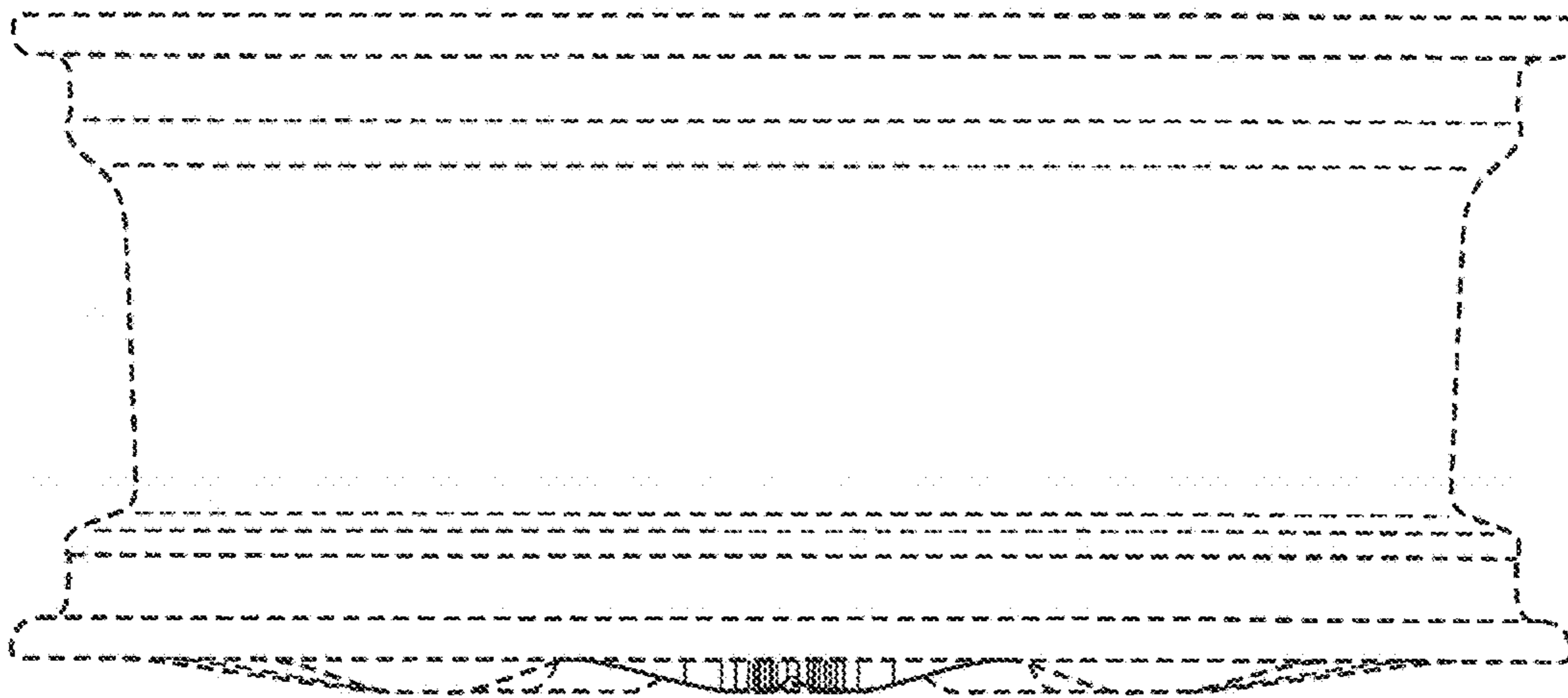


FIG.6

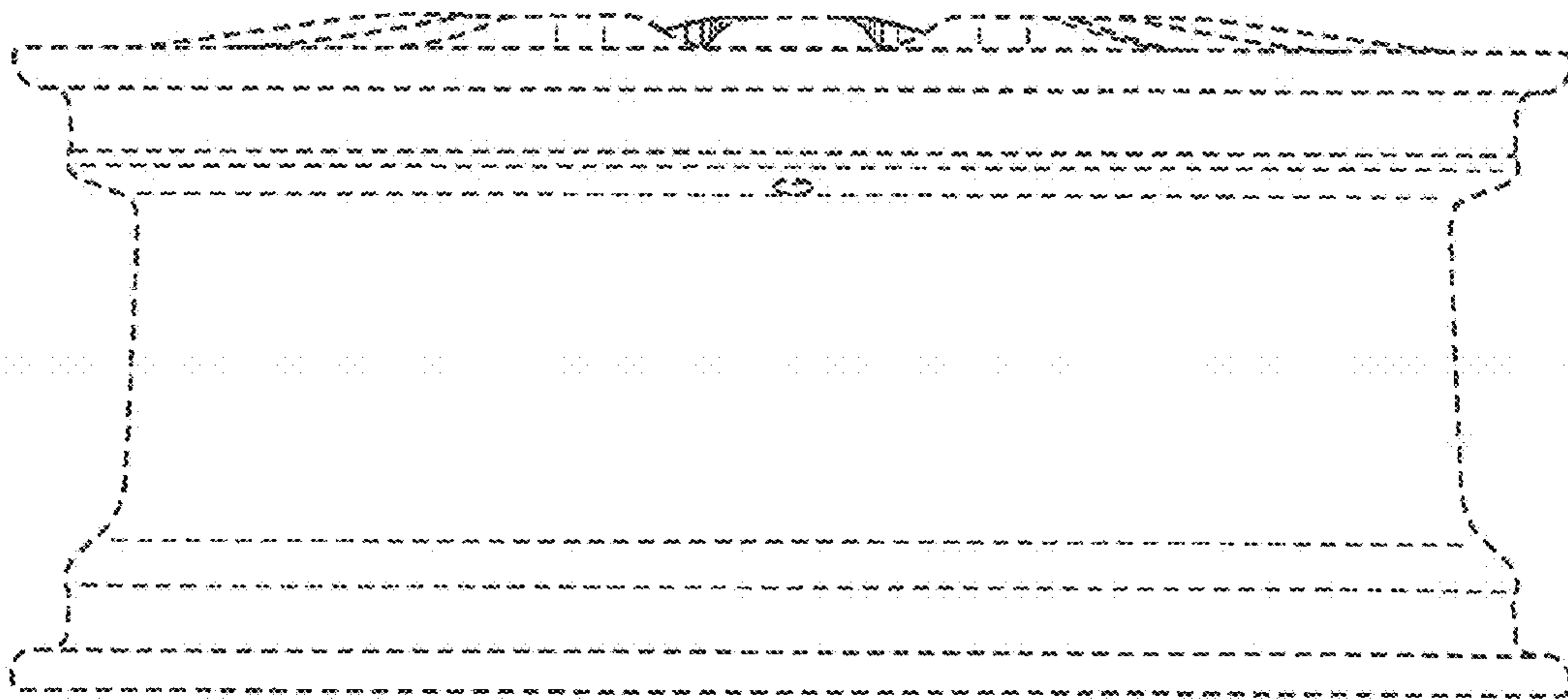


FIG.7

