



US00D817842S

(12) **United States Design Patent**
Chung

(10) **Patent No.:** **US D817,842 S**

(45) **Date of Patent:** **** May 15, 2018**

- (54) **AUTOMOTIVE WHEEL**
- (71) Applicant: **Suny Chung**, Anaheim, CA (US)
- (72) Inventor: **Suny Chung**, Anaheim, CA (US)
- (**) Term: **15 Years**
- (21) Appl. No.: **29/580,150**
- (22) Filed: **Oct. 6, 2016**
- (51) **LOC (11) Cl.** **12-16**
- (52) **U.S. Cl.**
USPC **D12/209**
- (58) **Field of Classification Search**
USPC D12/204–213
CPC B60B 7/00; B60B 7/02; B60B 7/04; B60B 7/01; B60B 3/02; B60B 3/04; B60B 3/06; B60B 3/10; B60B 1/00; B60B 1/08; B60B 1/10; B60B 1/12
See application file for complete search history.

D284,000 S *	5/1986	Braungart	D12/211
D311,717 S *	10/1990	Yoshida	D12/211
D318,256 S *	7/1991	Brinkmann	D12/211
D353,571 S *	12/1994	Braungart	D12/211
D396,838 S *	8/1998	Mills	D12/209
D438,833 S *	3/2001	Takechi	D12/211
D701,158 S *	3/2014	Hodges	D12/211
D708,109 S *	7/2014	Hodges	D12/205
D723,993 S *	3/2015	Zhao	D12/209
D725,018 S *	3/2015	Zhao	D12/209
D748,560 S *	2/2016	Simm	D12/211
D766,154 S *	9/2016	Perini	D12/209
D775,046 S *	12/2016	Huang	D12/209

* cited by examiner

Primary Examiner — Sheryl Lane
Assistant Examiner — Calvin E Vansant

(57) **CLAIM**

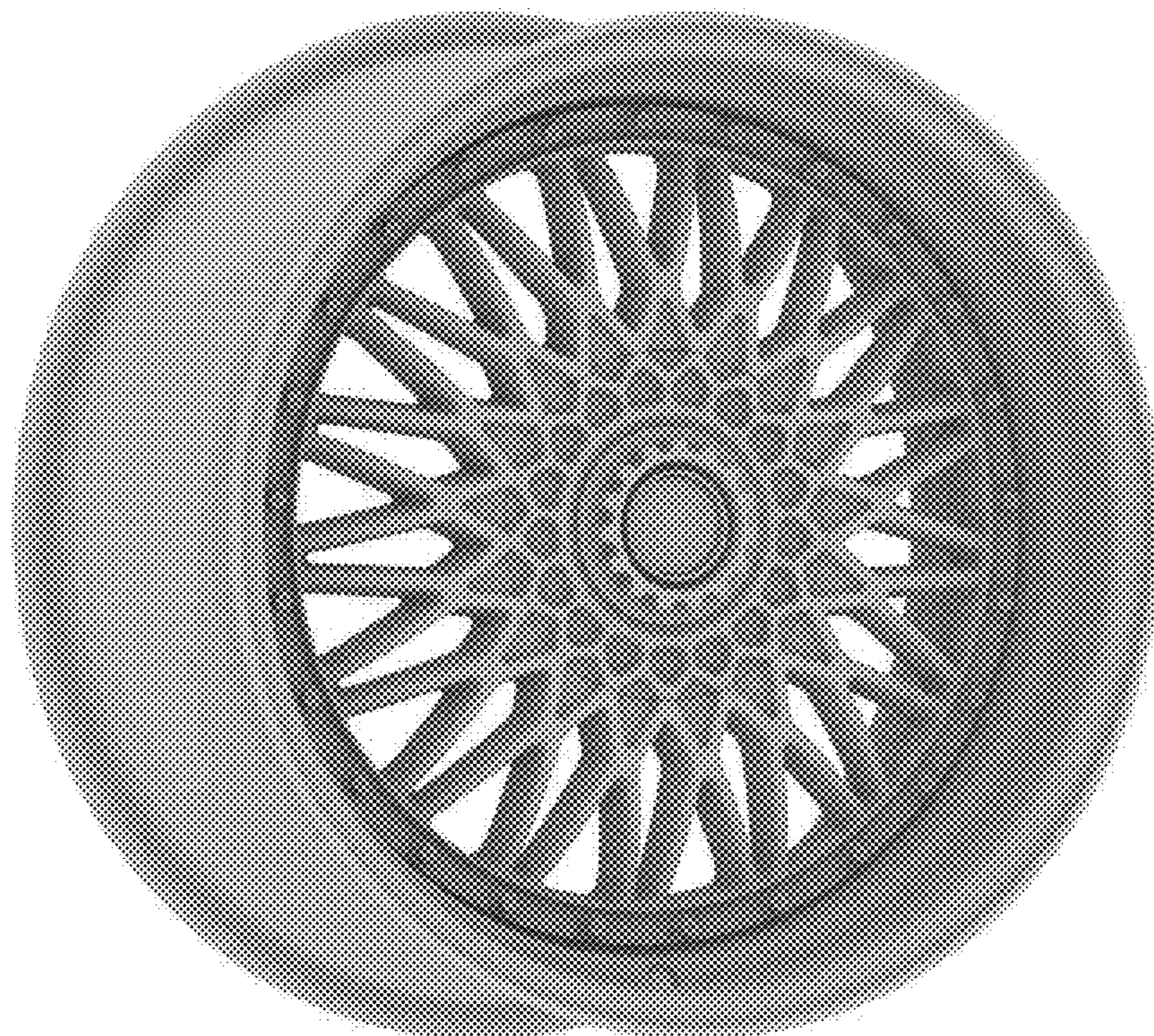
The ornamental design for an automotive wheel, as shown and described.

DESCRIPTION

FIG. 1 is a perspective view of on automotive wheel, showing my new design;
FIG. 2 is another perspective view thereof;
FIG. 3 is a front view thereof; and,
FIG. 4 is a side view thereof.

1 Claim, 4 Drawing Sheets

- (56) **References Cited**
U.S. PATENT DOCUMENTS
D232,630 S * 9/1974 Siroonian D12/205
D232,631 S * 9/1974 Siroonian D12/205
D232,827 S * 9/1974 Siroonian D12/205
D239,105 S * 3/1976 Siroonian D12/205
D269,081 S * 5/1983 Hayashi D12/205



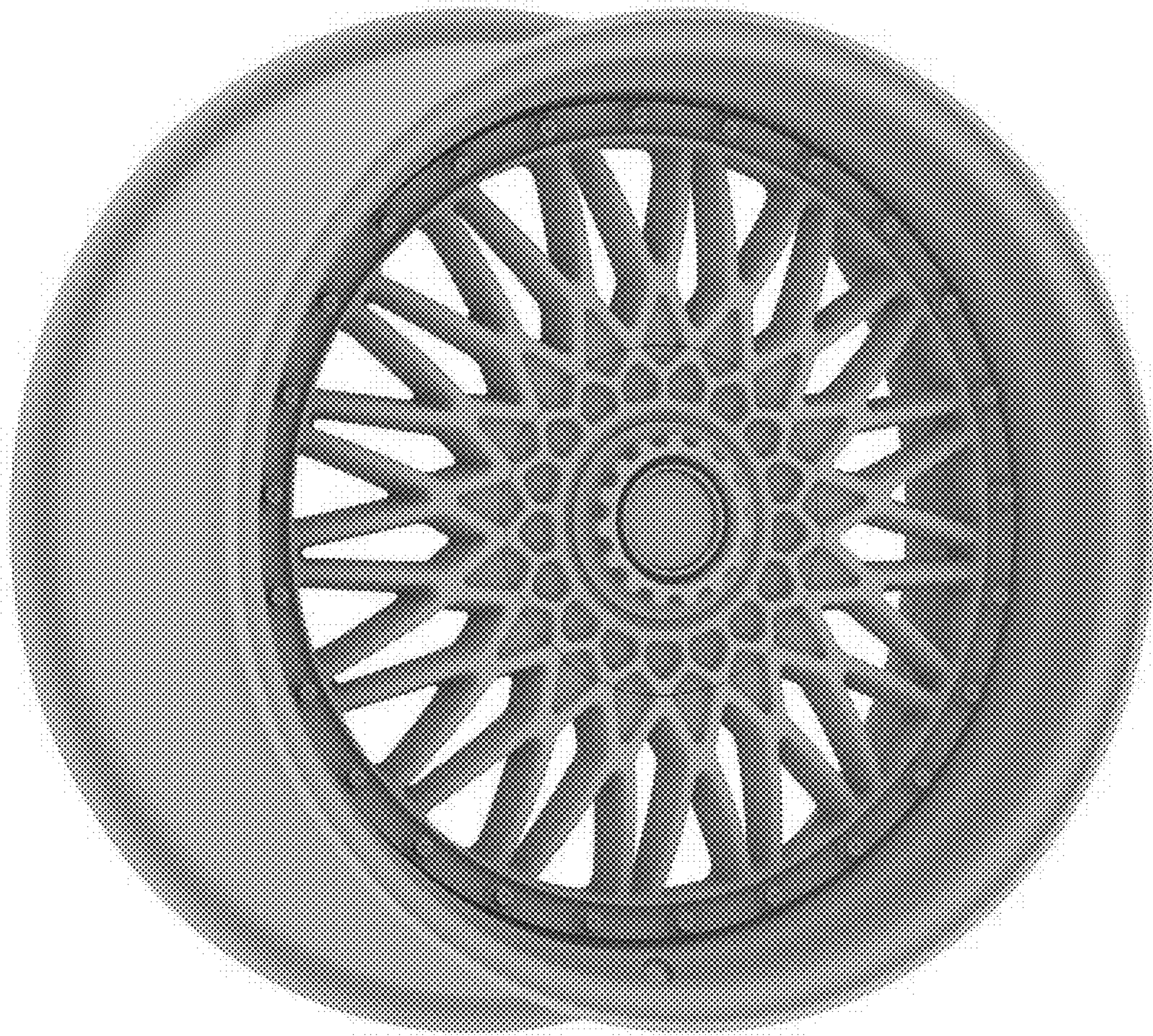


FIGURE 1

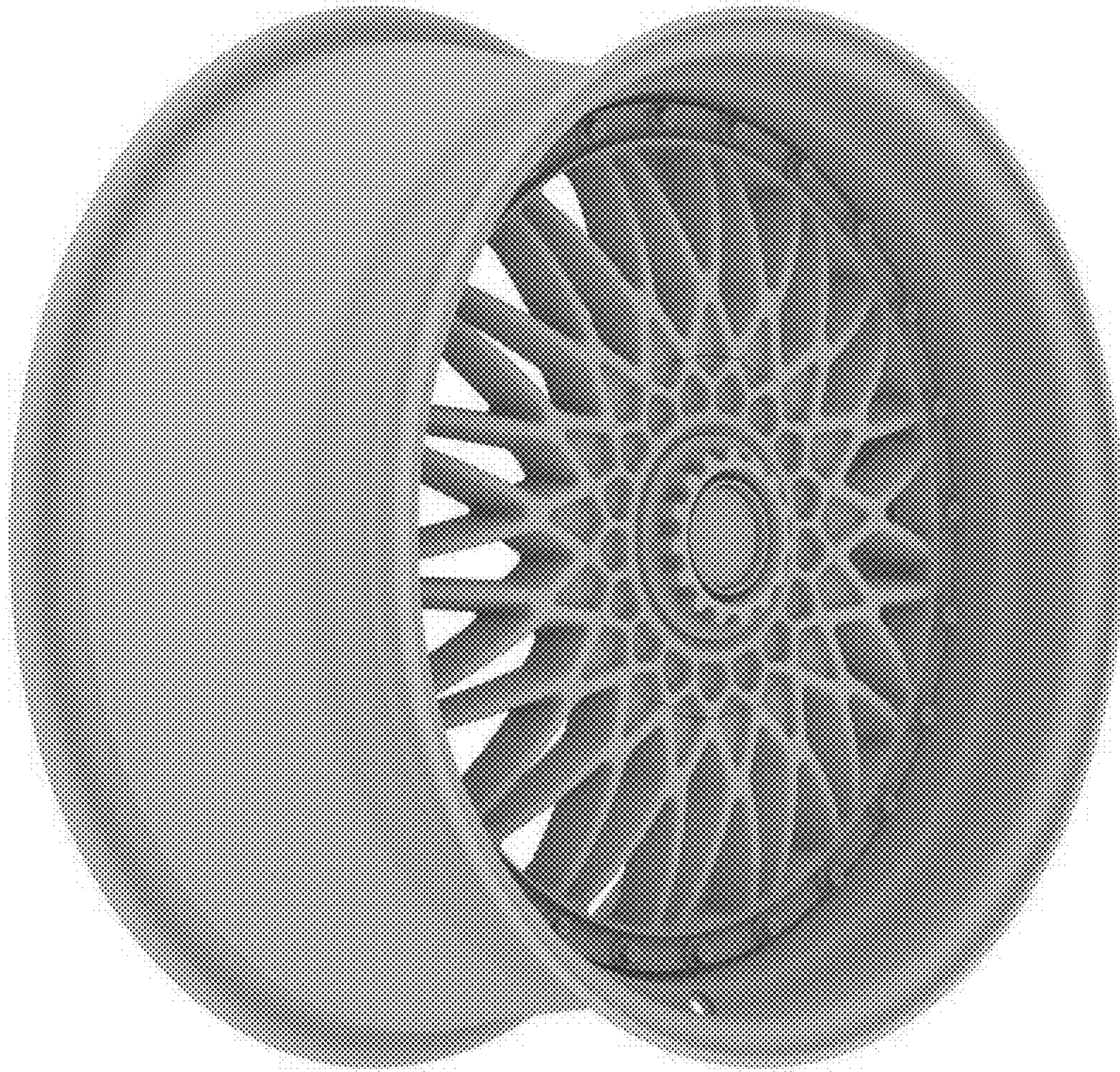


FIGURE 2

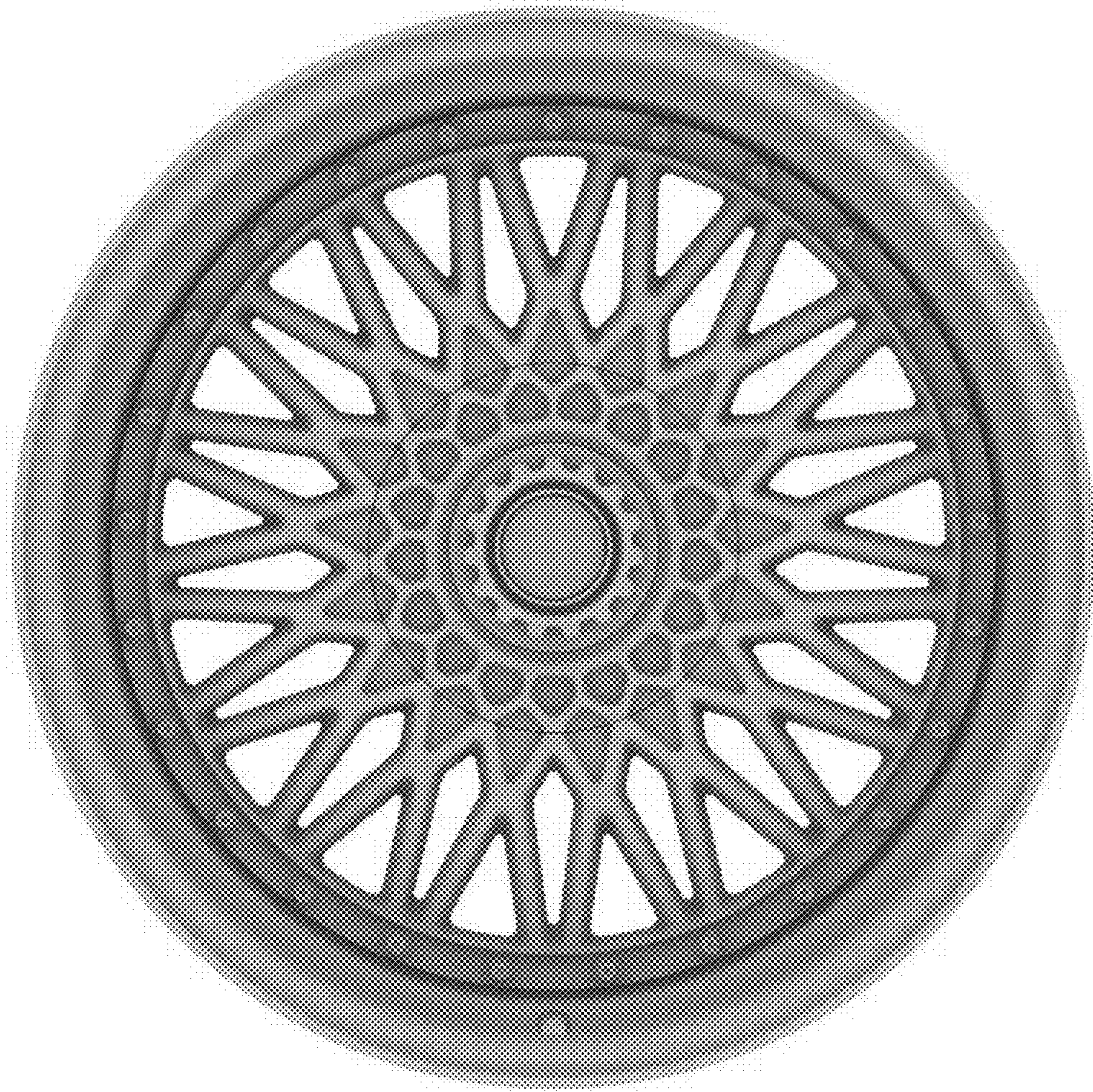


FIGURE 3

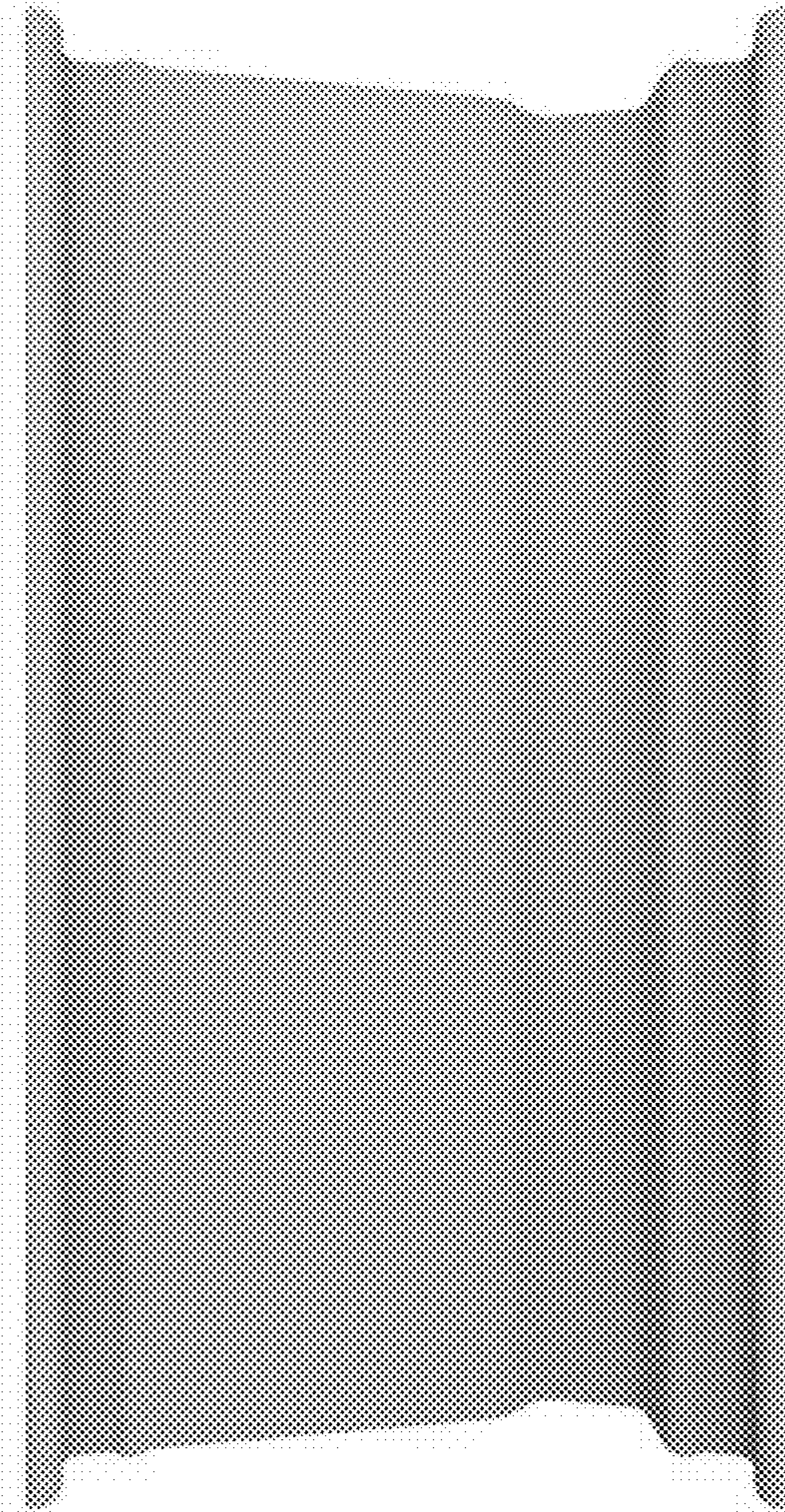


FIGURE 4