

US00D817838S

(12) **United States Design Patent** (10) **Patent No.:** **US D817,838 S**
Dionisopoulos et al. (45) **Date of Patent:** **** May 15, 2018**

- (54) **RUNNING BOARD**
- (71) Applicants: **Frank Dionisopoulos**, Grosse Pointe Shores, MI (US); **Nicholas Vardis**, Sylvan Lake, MI (US)
- (72) Inventors: **Frank Dionisopoulos**, Grosse Pointe Shores, MI (US); **Nicholas Vardis**, Sylvan Lake, MI (US)
- (73) Assignee: **FCA US LLC**, Auburn Hills, MI (US)
- (**) Term: **15 Years**
- (21) Appl. No.: **29/594,157**
- (22) Filed: **Feb. 16, 2017**
- (51) **LOC (11) Cl.** **12-16**
- (52) **U.S. Cl.**
USPC **D12/203**
- (58) **Field of Classification Search**
USPC D12/203, 162, 89, 190
CPC .. B60R 3/002; B60R 3/02; B60R 3/00; B60R 3/005; B60R 3/007
See application file for complete search history.

D513,398 S *	1/2006	Kozak	D12/203
D513,725 S *	1/2006	Metros	D12/203
D535,928 S *	1/2007	Crandall	D12/203
7,287,770 B2 *	10/2007	Drabant	B60R 3/002 280/163
D559,755 S *	1/2008	Ito	D12/203
D568,221 S *	5/2008	Cord	D12/203
D588,514 S *	3/2009	Kudelko	D12/203
D596,097 S *	7/2009	Huang-Tsai	D12/203
D596,098 S *	7/2009	Huang-Tsai	D12/203
D632,627 S *	2/2011	Huang-Tsai	D12/203
9,409,520 B1 *	8/2016	Wang	F16B 5/126
9,598,004 B2 *	3/2017	Yang	B60Q 1/323
D794,525 S *	8/2017	Chen	D12/203
2017/0036596 A1 *	2/2017	Yang	B60Q 1/323

* cited by examiner

Primary Examiner — George D. Kirschbaum
Assistant Examiner — Clese Moore, Jr.
(74) *Attorney, Agent, or Firm* — Ralph E. Smith

(57) **CLAIM**

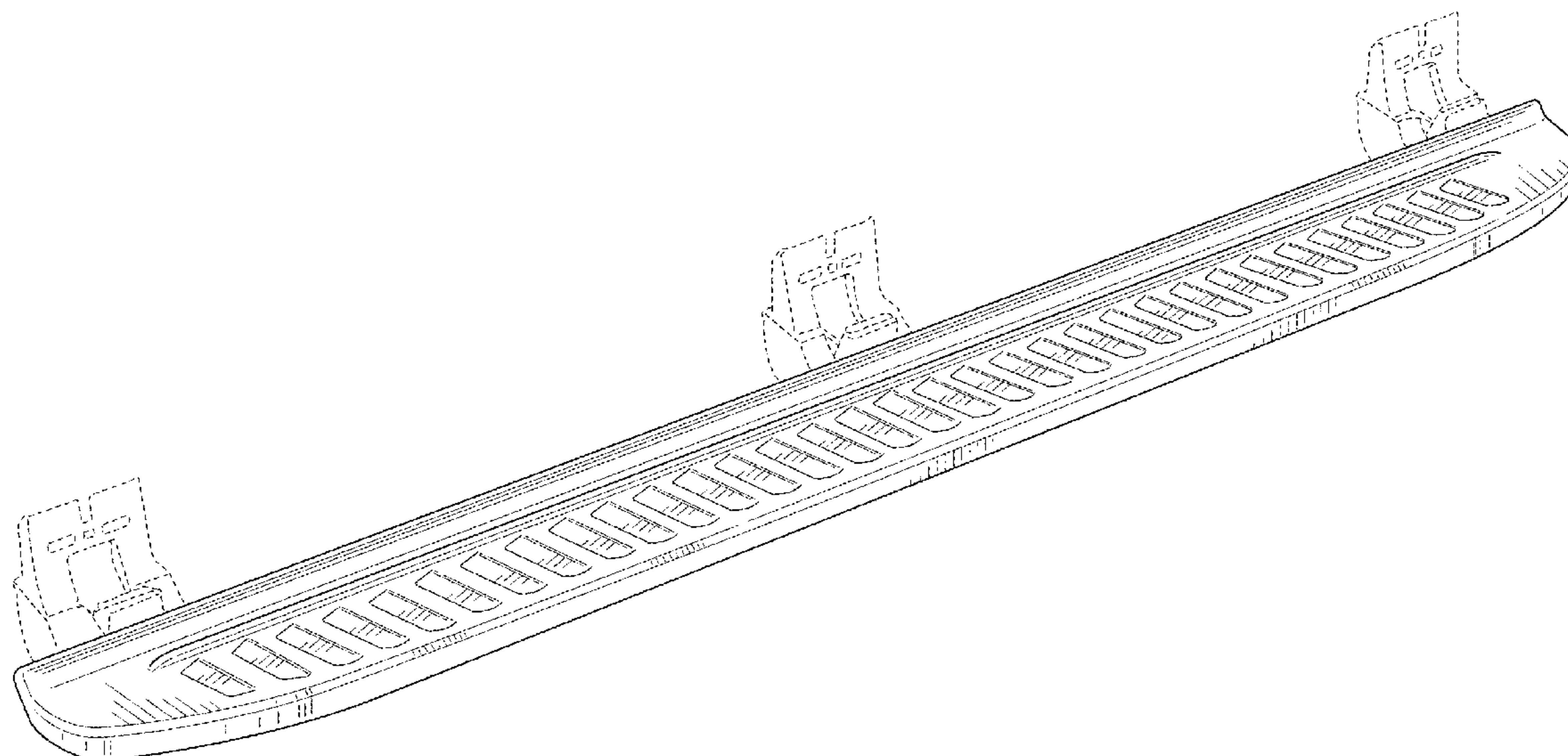
I claim, the ornamental design for a running board, as shown and described.

DESCRIPTION

FIG. 1 is a front perspective view of a running board showing our new design;
FIG. 2 is a rear perspective view thereof;
FIG. 3 is a right side view thereof;
FIG. 4 is a left side view thereof;
FIG. 5 is a front view thereof;
FIG. 6 is a rear view thereof;
FIG. 7 is a top plan view; and,
FIG. 8 is a bottom view.
It will be understood that the broken lines shown in the drawings illustrate portions of the running board that form no part of claimed design.

1 Claim, 5 Drawing Sheets

- (56) **References Cited**
U.S. PATENT DOCUMENTS
- | | | | | |
|--------------|---------|------------|-------|---------|
| D340,905 S * | 11/1993 | Orth, Sr. | | D12/203 |
| D349,679 S * | 8/1994 | Waddington | | D12/203 |
| D361,973 S * | 9/1995 | Hornik | | D12/203 |
| D395,267 S * | 6/1998 | Thompson | | D12/203 |
| D395,630 S * | 6/1998 | Stanesic | | D12/203 |
| D400,149 S * | 10/1998 | Zentner | | D12/203 |
| D400,151 S * | 10/1998 | Zentner | | D12/203 |
| D400,485 S * | 11/1998 | Zentner | | D12/203 |
| D436,336 S * | 1/2001 | Sadr | | D12/203 |
| D473,178 S * | 4/2003 | Schumacher | | D12/203 |
| D488,759 S * | 4/2004 | Hattori | | D12/203 |
| D496,898 S * | 10/2004 | Metros | | D12/203 |



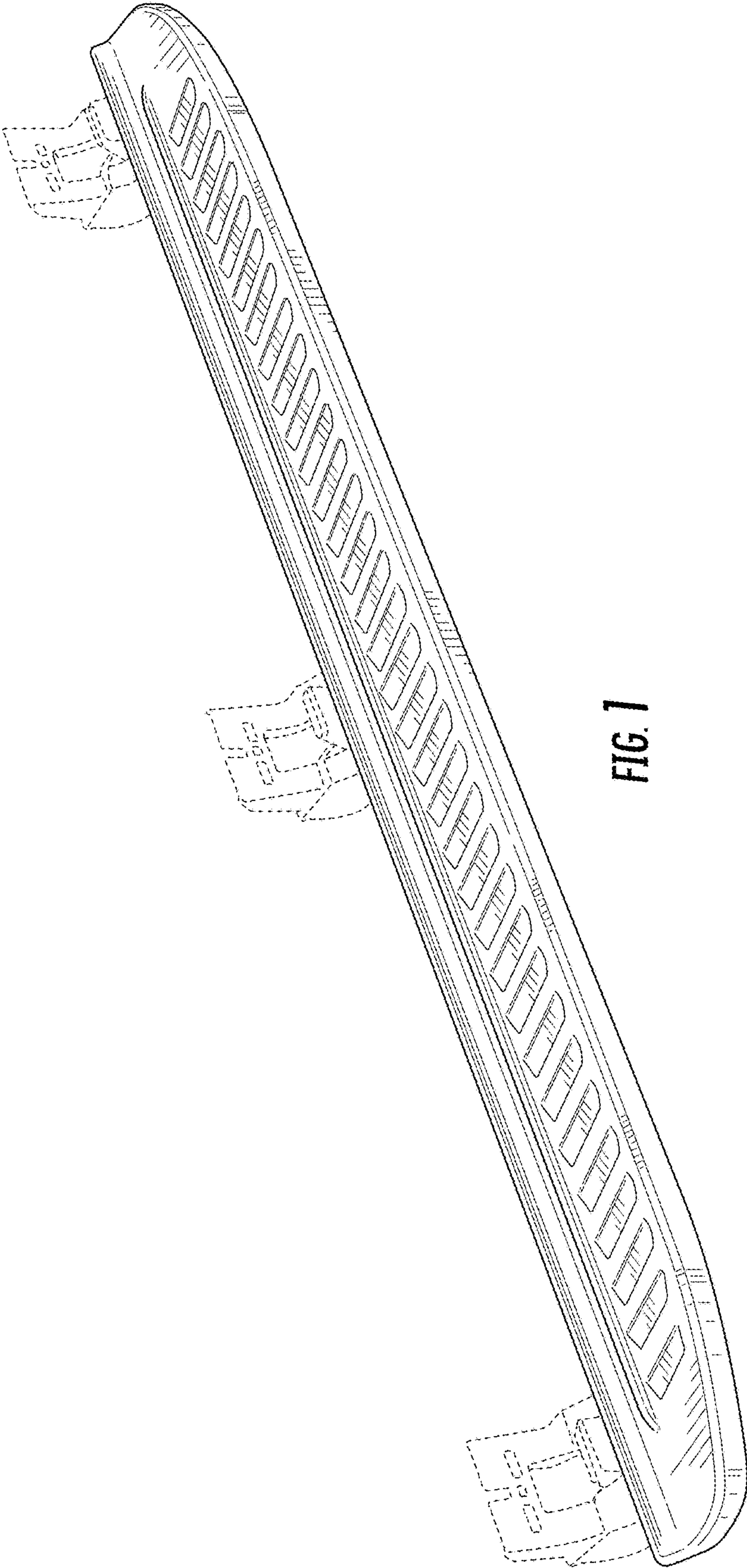


FIG. 1

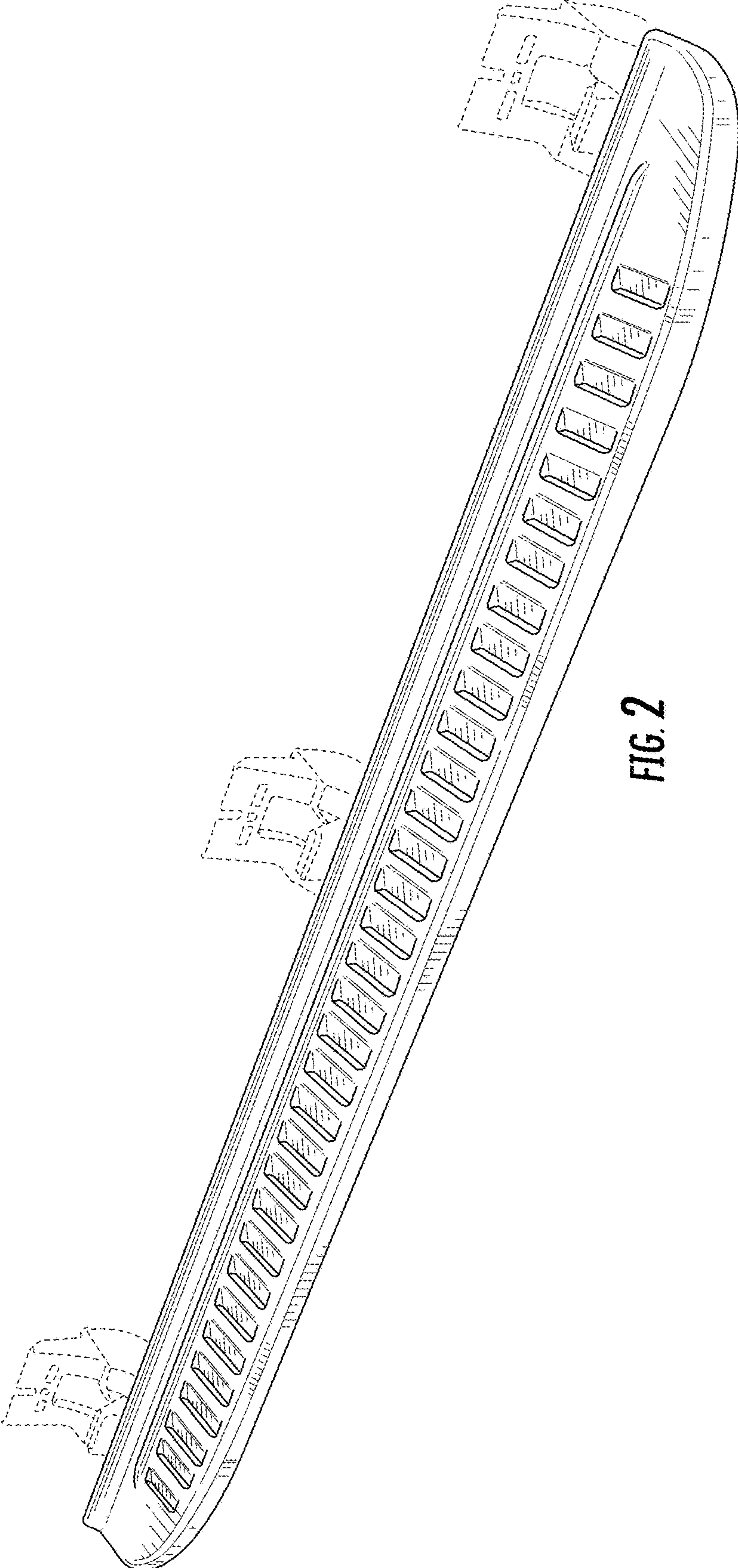


FIG. 2

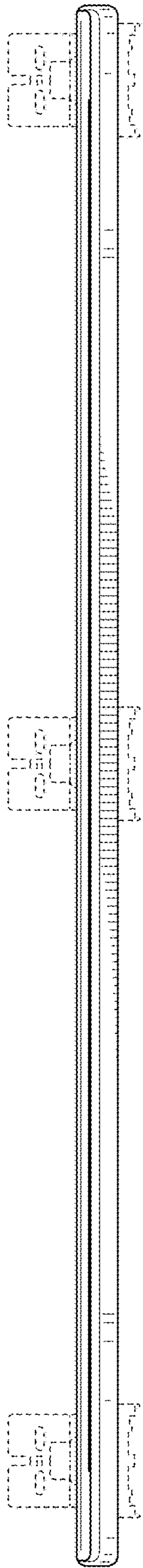


FIG. 3

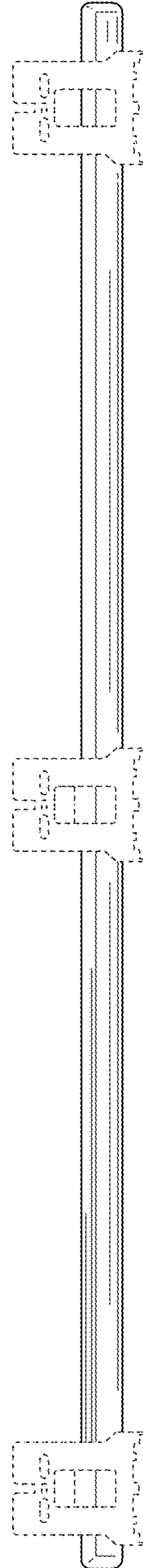


FIG. 4

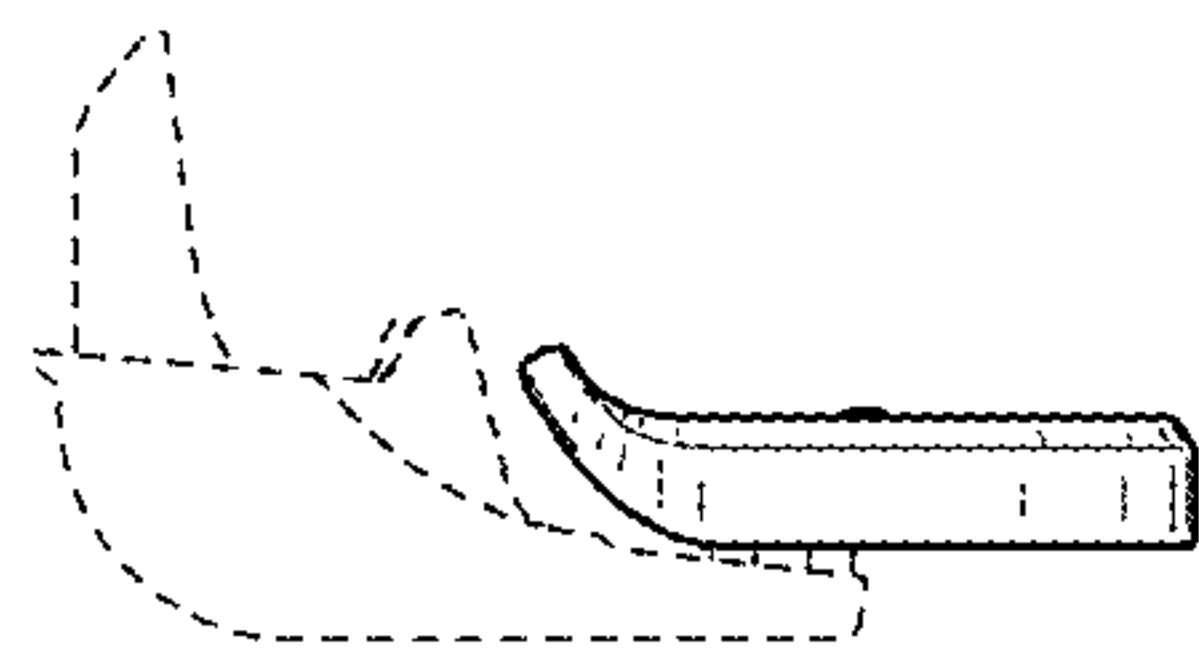


FIG. 5

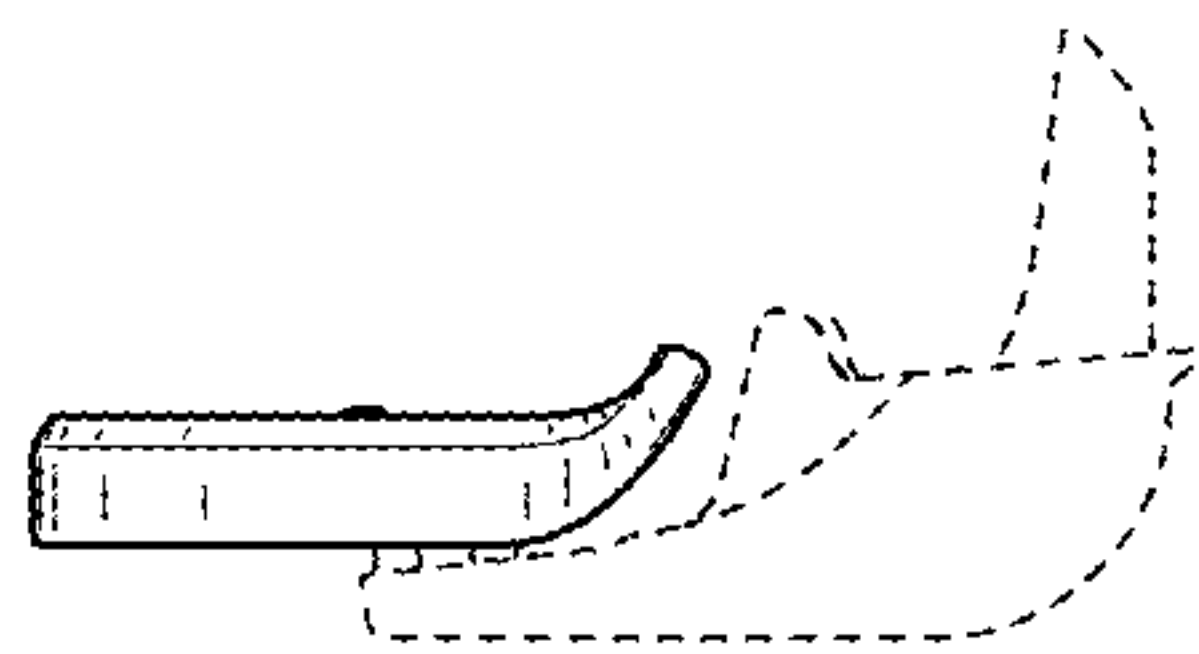


FIG. 6

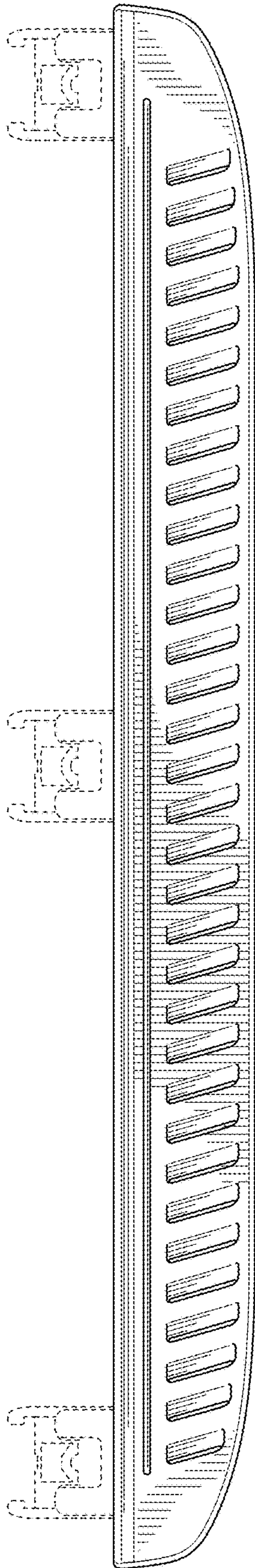


FIG. 7

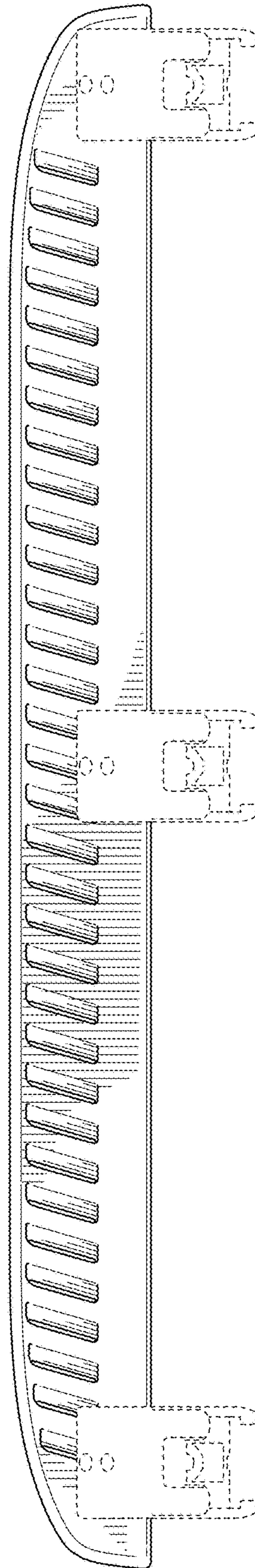


FIG. 8