



US00D817836S

(12) **United States Design Patent**
McMahan et al.

(10) **Patent No.:** **US D817,836 S**
(45) **Date of Patent:** **** May 15, 2018**

- (54) **VEHICLE LIFTGATE**
- (71) Applicant: **GM GLOBAL TECHNOLOGY OPERATIONS LLC**, Detroit, MI (US)
- (72) Inventors: **Robert B. McMahan**, Bloomfield Hills, MI (US); **Gary W. Ruiz**, Royal Oak, MI (US)
- (73) Assignee: **GM Global Technology Operations LLC**, Detroit, MI (US)
- (**) Term: **15 Years**
- (21) Appl. No.: **29/586,807**
- (22) Filed: **Dec. 7, 2016**
- (51) **LOC (11) Cl.** **12-16**
- (52) **U.S. Cl.**
USPC **D12/196**
- (58) **Field of Classification Search**
USPC D12/163–165, 167, 169, 172, 181–182, D12/196, 400
CPC B62D 33/0273; B62D 25/087; B60J 5/101; B60J 5/10; B60J 5/107
See application file for complete search history.

- D608,249 S 1/2010 Peters
- D608,690 S 1/2010 Folden et al.
- D608,691 S 1/2010 Zak, Jr. et al.
- D609,608 S 2/2010 Boniface et al.
- D611,387 S 3/2010 Thompson et al.
- D611,879 S 3/2010 Kim et al.
- D612,297 S 3/2010 Peters et al.
- D613,645 S 4/2010 Song et al.
- D615,458 S 5/2010 Thompson et al.
- D618,595 S 6/2010 Ware et al.
- D623,090 S 9/2010 Cox et al.
- D627,262 S 11/2010 Ikeda et al.
- D635,488 S 4/2011 Phipps
- D644,147 S 8/2011 Suh et al.
- D644,567 S 9/2011 Kozub
- D657,718 S 4/2012 Zipfel et al.
- D659,052 S 5/2012 Ware et al.
- D659,053 S 5/2012 Ware et al.
- D668,182 S 10/2012 Barba Franco et al.
- D668,183 S 10/2012 Smart
- D678,820 S 3/2013 Son et al.
- D678,821 S 3/2013 Ikeda et al.
- D680,909 S 4/2013 Munson et al.
- D680,910 S 4/2013 David
- D684,899 S 6/2013 Baker

(Continued)

Primary Examiner — Ruth McInroy
(74) *Attorney, Agent, or Firm* — Reising Ethington P.C.

(57) **CLAIM**

The ornamental design for a vehicle liftgate, as shown and described.

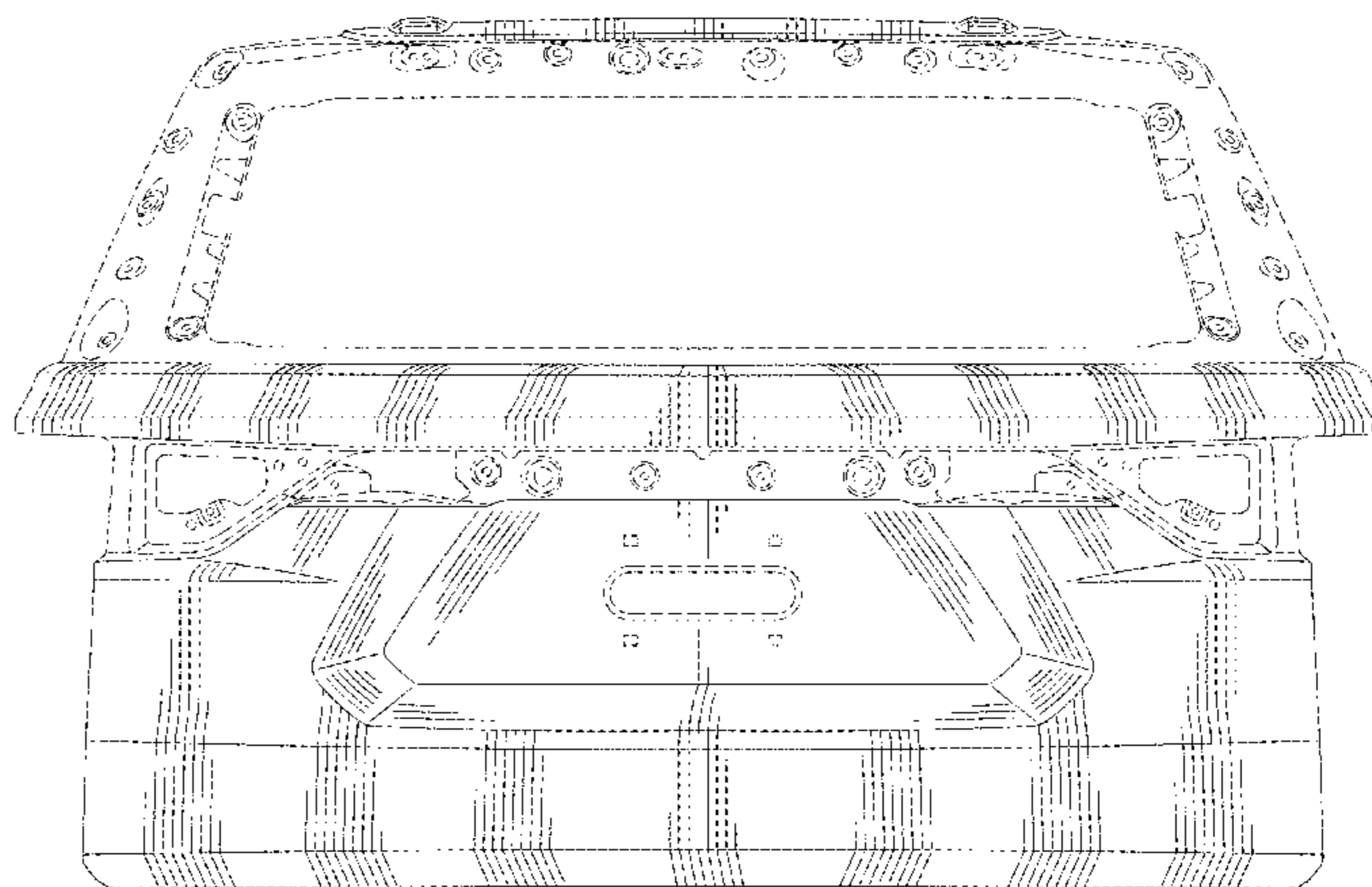
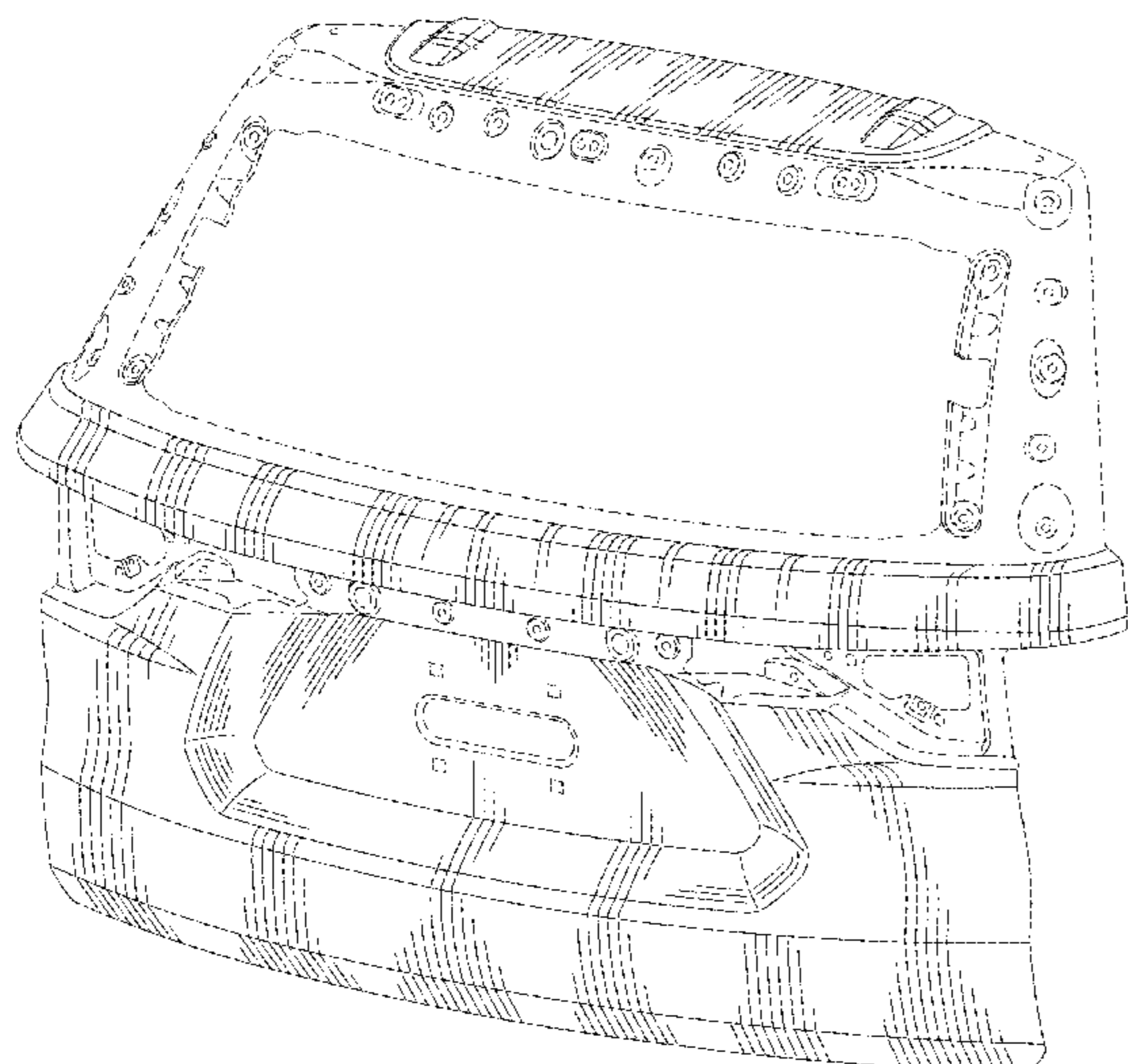
DESCRIPTION

FIG. 1 is a perspective view of the vehicle liftgate; FIG. 2 is a front view thereof; FIG. 3 is a left side view thereof; and, FIG. 4 is a top view thereof. The broken lines shown in the drawings depict portions of the vehicle liftgate that form no part of the claimed design.

1 Claim, 4 Drawing Sheets

(56) **References Cited**
U.S. PATENT DOCUMENTS

- D570,742 S 6/2008 Takagi et al.
- D592,105 S 5/2009 Dean et al.
- D597,447 S 8/2009 Folden
- D600,595 S 9/2009 Nakamura et al.
- D601,925 S 10/2009 O'Donnell
- D603,755 S 11/2009 Peters
- D604,203 S 11/2009 O'Donnell
- D605,082 S 12/2009 Munson
- D605,083 S 12/2009 Manoogian, II et al.
- D605,977 S 12/2009 Zipfel et al.
- D605,978 S 12/2009 Wolff et al.



(56)

References Cited

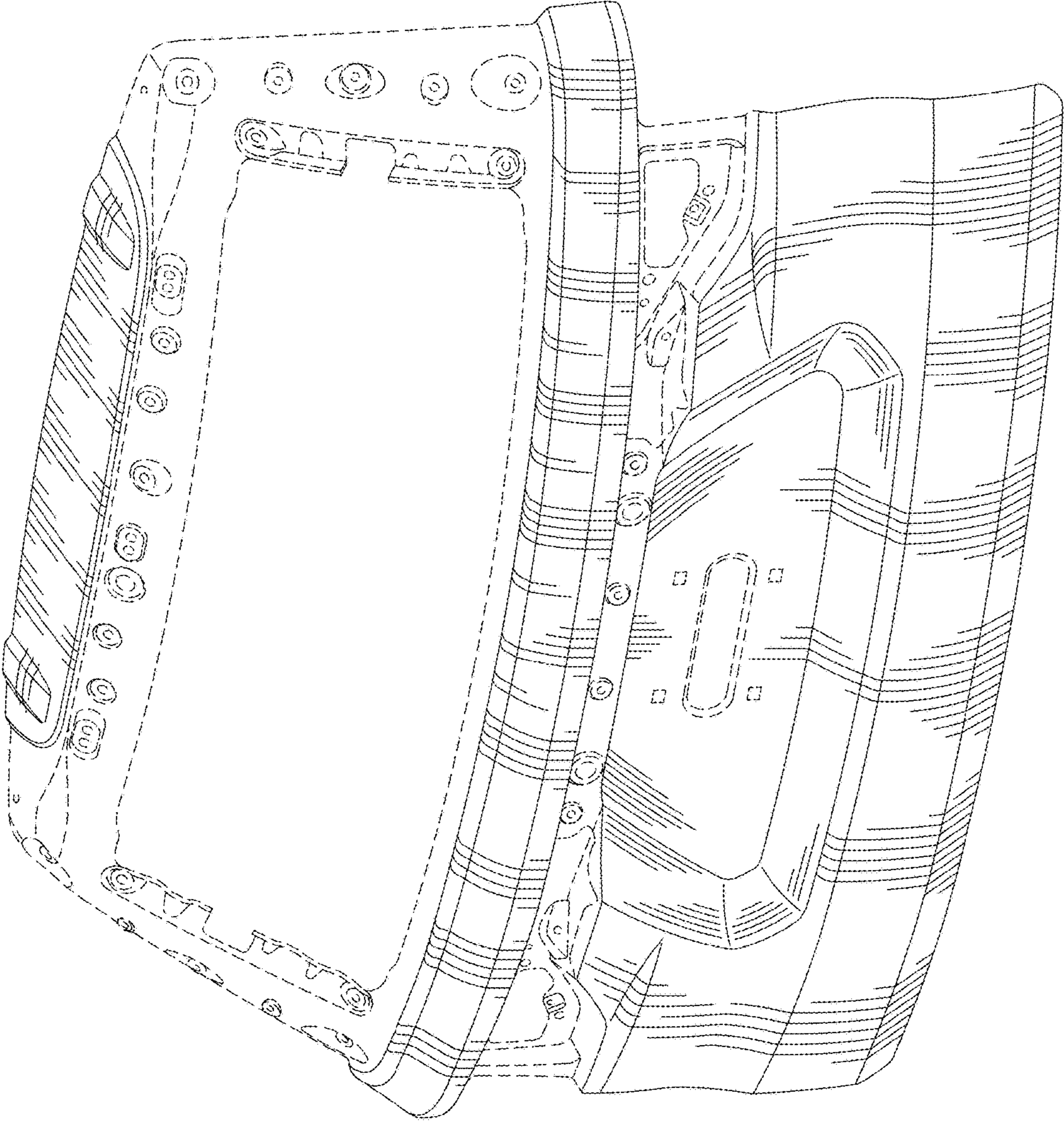
U.S. PATENT DOCUMENTS

D686,536 S 7/2013 McCabe et al.
 D692,798 S 11/2013 Thurber
 D692,799 S 11/2013 Smith et al.
 D696,157 S 12/2013 Loeb
 D699,629 S 2/2014 Ikeda et al.
 D700,871 S 3/2014 O'Donnell et al.
 D703,103 S 4/2014 Lee
 D704,103 S 5/2014 Mack et al.
 D705,132 S 5/2014 Ware et al.
 D705,699 S 5/2014 Ware et al.
 D713,298 S 9/2014 Dyson
 D713,764 S 9/2014 Ferlazzo et al.
 D716,696 S 11/2014 Thole et al.
 D716,706 S 11/2014 Thole et al.
 D716,709 S 11/2014 Thole et al.
 D717,696 S 11/2014 Thole et al.
 D718,189 S 11/2014 Krieg et al.
 D718,683 S 12/2014 Thole et al.
 D718,695 S * 12/2014 Galante D12/196
 D722,282 S 2/2015 Loeb
 D722,533 S 2/2015 Thole et al.
 D722,534 S 2/2015 Munson et al.
 D724,510 S 3/2015 McMahan et al.
 D725,001 S 3/2015 McMahan et al.
 8,985,675 B1 * 3/2015 Gangal B60J 5/107
 296/146.8
 D726,591 S 4/2015 Jacob
 D726,615 S * 4/2015 Wolff D12/196
 D730,776 S 6/2015 Smart
 D730,783 S 6/2015 Henriques et al.
 D732,427 S 6/2015 Loeb
 D732,429 S 6/2015 Loeb
 D732,430 S 6/2015 Loeb
 D732,431 S 6/2015 Loeb
 D732,432 S 6/2015 Aengenheyster
 D732,433 S 6/2015 Aengenheyster
 D732,435 S 6/2015 Mackay
 D733,002 S 6/2015 Loeb
 D735,611 S 8/2015 Aengenheyster
 D735,627 S 8/2015 Smith
 D736,124 S * 8/2015 Glover D12/164
 D736,128 S * 8/2015 Blanski D12/196
 D736,451 S 8/2015 Smith
 D738,802 S * 9/2015 Mueller-Stolz D12/196
 D739,306 S 9/2015 McMahan et al.
 D739,317 S 9/2015 McMahan et al.
 D741,223 S 10/2015 Kim et al.
 D743,309 S 11/2015 Thole et al.
 D743,313 S 11/2015 Smith et al.
 D743,314 S 11/2015 Thole et al.
 D743,857 S 11/2015 McMahan et al.
 D744,158 S 11/2015 Willett et al.
 D745,086 S 12/2015 Finos et al.
 D745,719 S 12/2015 Boniface et al.
 D745,725 S 12/2015 McMahan et al.
 D745,726 S 12/2015 McMahan et al.

D745,837 S 12/2015 Smith et al.
 D746,726 S 1/2016 Smith et al.
 D746,727 S 1/2016 Smith et al.
 D746,728 S 1/2016 Smith et al.
 D746,729 S 1/2016 Boniface et al.
 D746,730 S 1/2016 Kim et al.
 D747,514 S 1/2016 McMahan et al.
 D747,515 S 1/2016 McMahan et al.
 D747,819 S 1/2016 Thole et al.
 D749,021 S 2/2016 Boniface et al.
 D749,026 S 2/2016 Smith et al.
 D749,027 S 2/2016 McMahan et al.
 D749,246 S 2/2016 Thole et al.
 D749,249 S 2/2016 Thole et al.
 D749,250 S 2/2016 Thole et al.
 D749,480 S * 2/2016 Yu D12/196
 D749,985 S 2/2016 Kozub et al.
 D749,997 S 2/2016 McMahan et al.
 D750,001 S 2/2016 Thole et al.
 D751,014 S * 3/2016 Wolff D12/196
 D753,032 S 4/2016 Smith et al.
 D753,033 S 4/2016 Thole et al.
 D753,034 S 4/2016 Thole et al.
 D753,035 S 4/2016 Boniface et al.
 D753,559 S 4/2016 McMahan et al.
 D753,560 S 4/2016 McMahan et al.
 D753,567 S 4/2016 Boniface et al.
 D754,571 S 4/2016 Boniface et al.
 D754,572 S 4/2016 McMahan et al.
 D755,088 S 5/2016 McMahan et al.
 D756,869 S 5/2016 McMahan et al.
 D758,271 S 6/2016 McMahan et al.
 D761,177 S * 7/2016 Behmer D12/196
 D763,758 S * 8/2016 Luk D12/196
 D764,995 S * 8/2016 Bucher D12/196
 D766,795 S * 9/2016 Kim D12/196
 D767,449 S 9/2016 Pevovar et al.
 D767,450 S 9/2016 Lee et al.
 D767,451 S 9/2016 Kozub et al.
 D767,454 S 9/2016 McMahan et al.
 D767,458 S 9/2016 Kim
 D767,459 S 9/2016 Kim
 D767,460 S 9/2016 Kozub et al.
 D767,461 S 9/2016 Kozub et al.
 D771,528 S 11/2016 Smith et al.
 D771,529 S 11/2016 Thole et al.
 D771,532 S 11/2016 Kapitonov
 D771,533 S 11/2016 Kapitonov
 D772,766 S 11/2016 Kozub et al.
 D772,767 S 11/2016 Kim
 D773,084 S 11/2016 Kapitonov
 D773,086 S 11/2016 McCabe et al.
 9,487,069 B2 * 11/2016 Rejc B60J 5/107
 D779,406 S * 2/2017 Park D12/196
 D783,482 S * 4/2017 Smith D12/196
 D789,267 S * 6/2017 Kim D12/196
 D797,632 S * 9/2017 Zipfel D12/196

* cited by examiner

FIG. 1



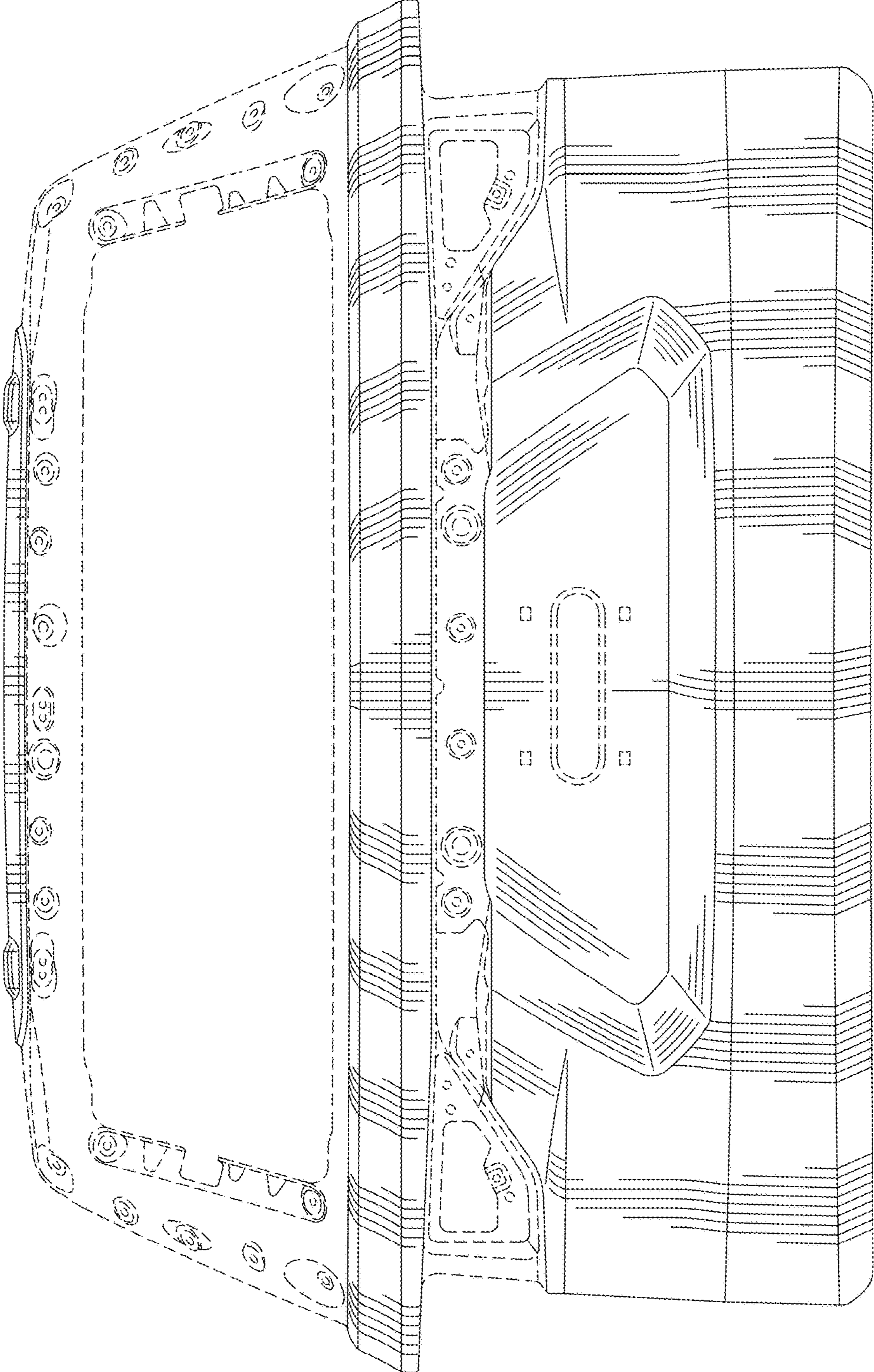


FIG. 2

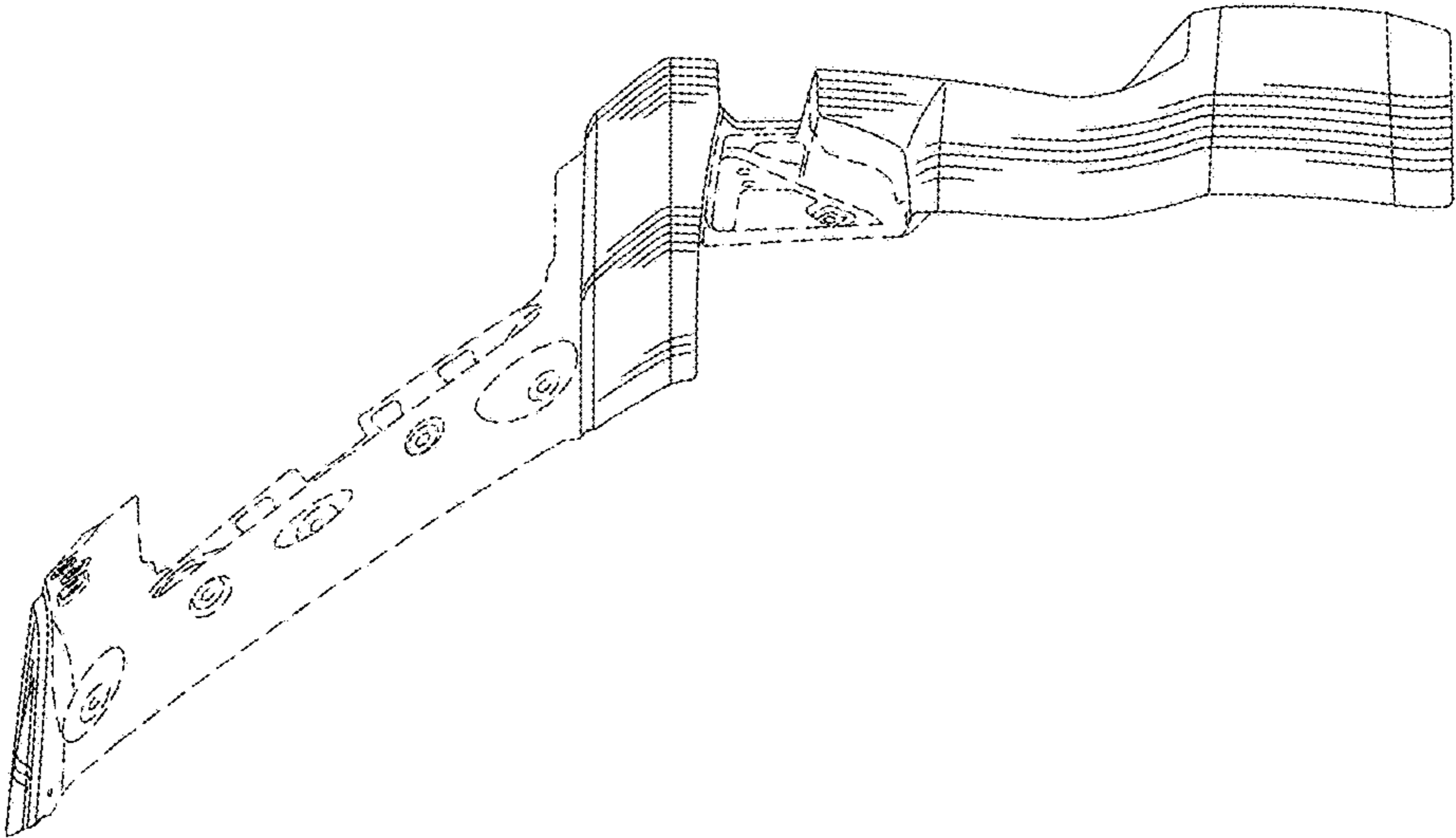


FIG. 3

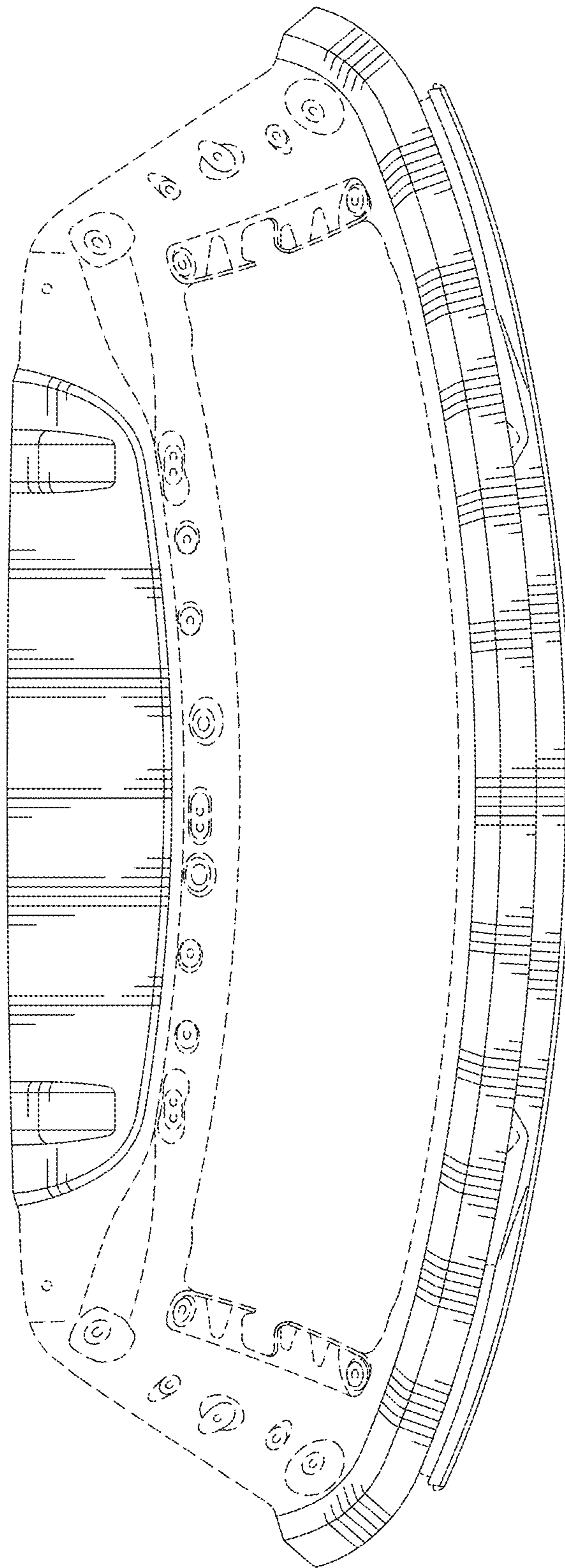


FIG. 4