



US00D817830S

(12) **United States Design Patent**  
**Archambault**

(10) **Patent No.:** **US D817,830 S**

(45) **Date of Patent:** **\*\* May 15, 2018**

(54) **SEAT BELT BUCKLE MAGNETIC HOLDER**

(71) Applicant: **Paul R. Archambault**, Granby (CA)

(72) Inventor: **Paul R. Archambault**, Granby (CA)

(\*\*) Term: **15 Years**

(21) Appl. No.: **29/620,354**

(22) Filed: **Oct. 27, 2016**

(51) **LOC (11) Cl.** ..... **12-08**

(52) **U.S. Cl.**  
USPC ..... **D12/190**

(58) **Field of Classification Search**  
USPC .... D12/190, 345, 92, 195, 400, 90, 91, 199,  
D12/197, 86, 171, 169, 163, 110, 114;  
D6/334-336, 356, 357, 360-361,  
D6/367-368, 381, 643, 716, 716.1-716.5  
CPC ..... B60N 2/4693; B64C 1/14; B64C 1/1484  
See application file for complete search history.

(56) **References Cited**

**U.S. PATENT DOCUMENTS**

D442,351 S \* 5/2001 Moxey, Jr. .... D2/639  
D475,176 S \* 6/2003 Moxey, Jr. .... D2/639  
D518,412 S \* 4/2006 Berke ..... D11/200  
7,318,606 B1 \* 1/2008 Berke ..... B60R 22/14  
280/801.1

D607,399 S \* 1/2010 Wilson ..... D12/400  
D607,626 S \* 1/2010 Murphy ..... D2/639  
D713,123 S \* 9/2014 Ciampitti ..... D11/200  
D713,124 S \* 9/2014 Ciampitti ..... D11/200  
D713,125 S \* 9/2014 Ciampitti ..... D11/200  
D713,618 S \* 9/2014 Ciampitti ..... D11/200  
8,869,314 B2 \* 10/2014 Peper ..... A41F 15/02  
2/244  
D743,041 S \* 11/2015 Hansen ..... D24/190

\* cited by examiner

*Primary Examiner* — Katrina A Betton

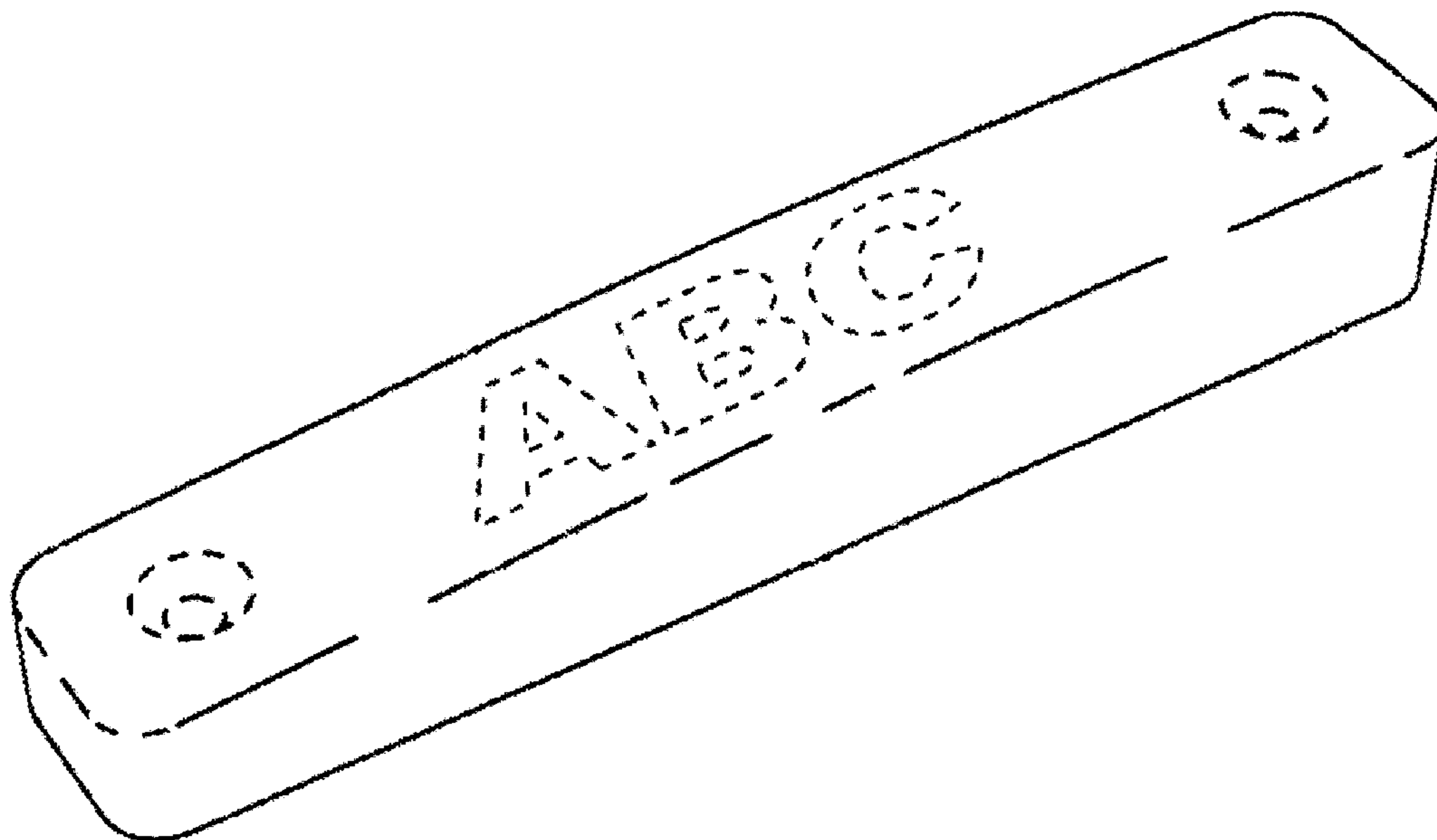
(57) **CLAIM**

The ornamental design for a seat belt buckle magnetic holder, as shown and described.

**DESCRIPTION**

FIG. 1 is a front perspective view of a seat belt buckle magnetic holder in accordance with the design;  
FIG. 2 is a rear perspective view thereof;  
FIG. 3 is a side elevational view thereof;  
FIG. 4 is a side elevational view opposite the one in FIG. 3;  
FIG. 5 is a top plan view thereof;  
FIG. 6 is a bottom plan view thereof;  
FIG. 7 is a front elevational view thereof; and,  
FIG. 8 is a rear elevational view opposite the one in FIG. 7.  
The portion shown in stippled lines in the drawings is for illustrative purposes only and forms no part of the claimed design.

**1 Claim, 2 Drawing Sheets**



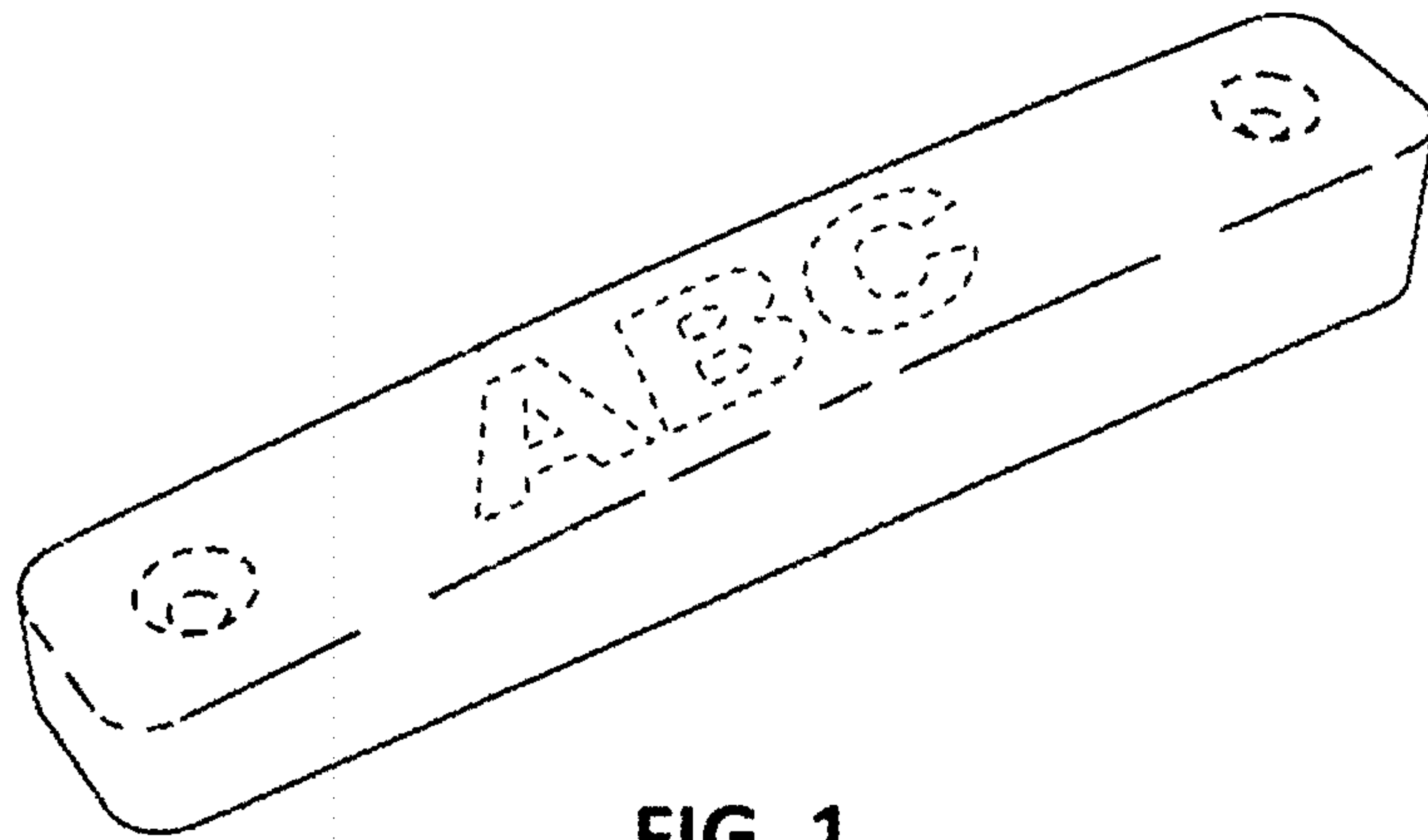


FIG. 1

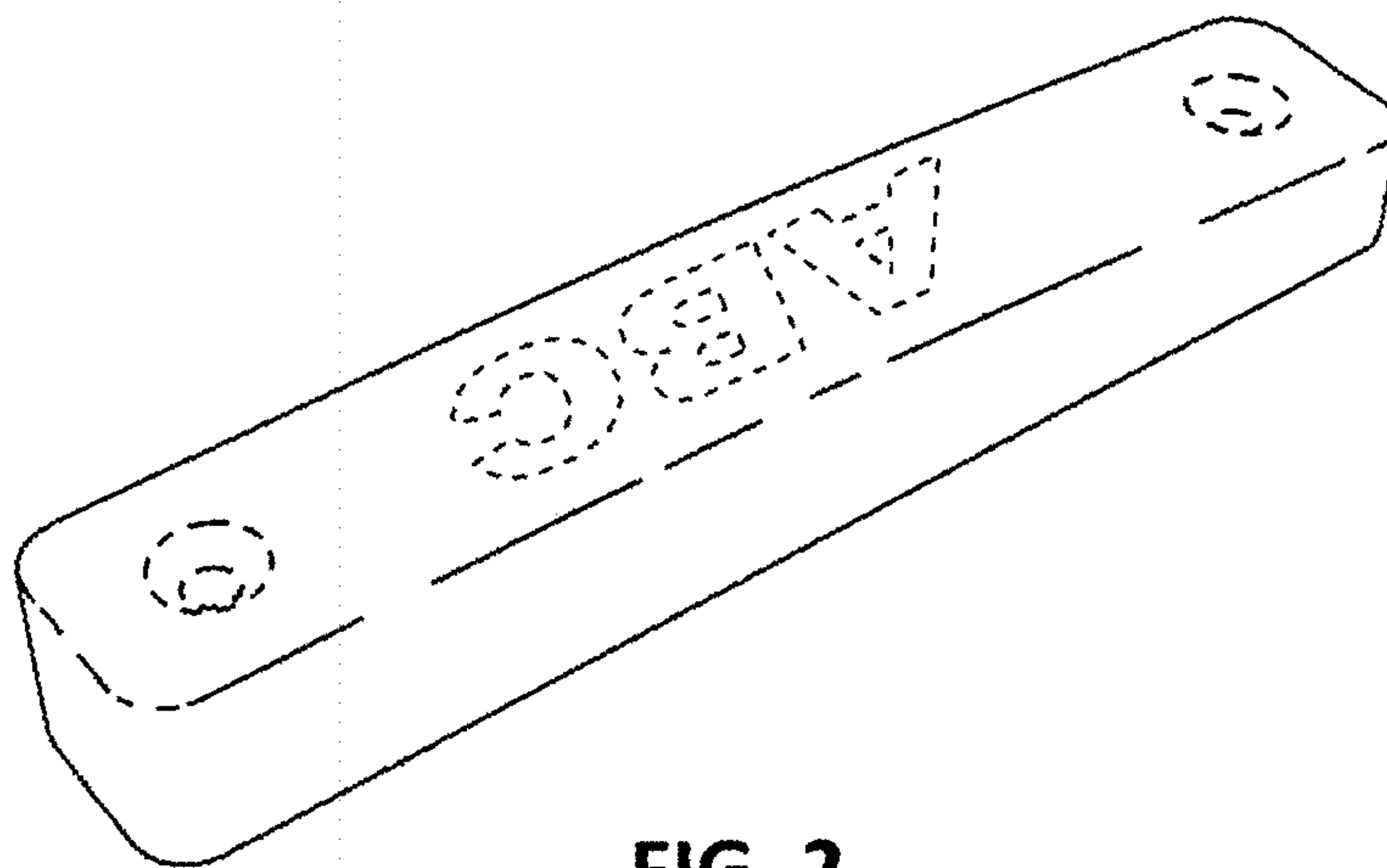


FIG. 2

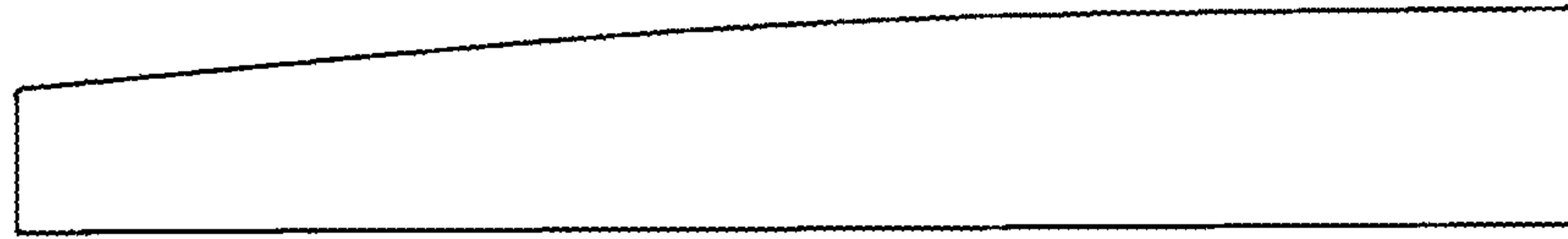


FIG. 3

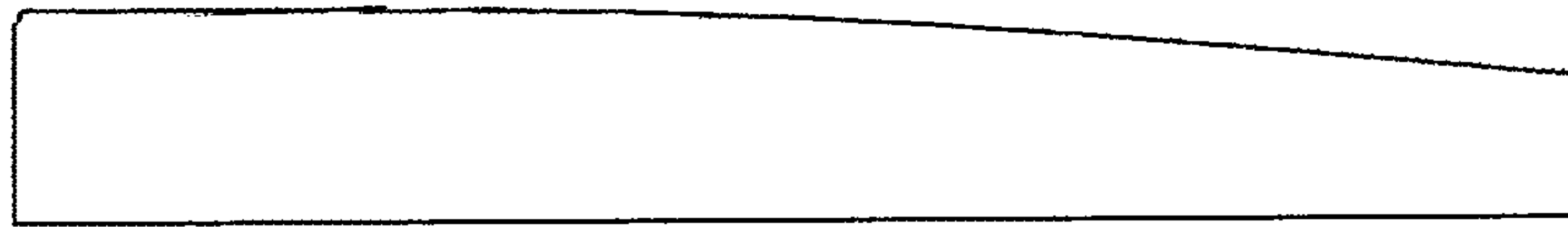


FIG. 4

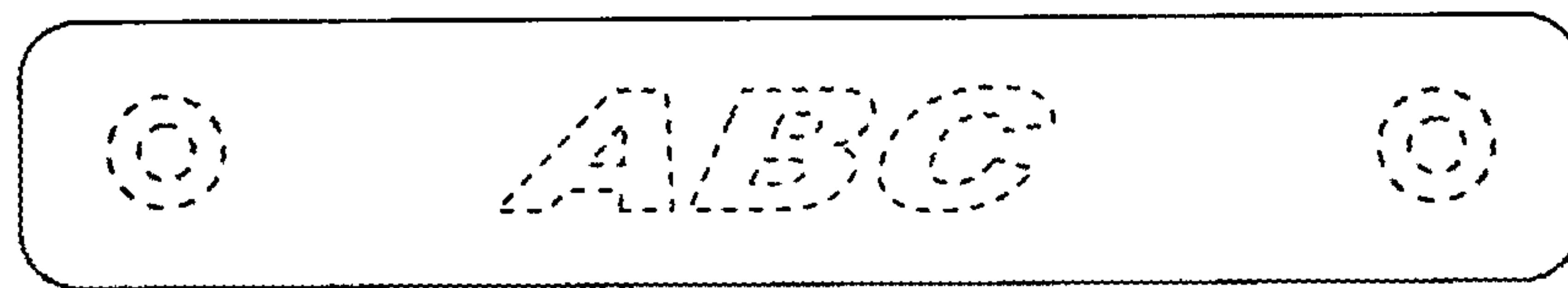


FIG. 5

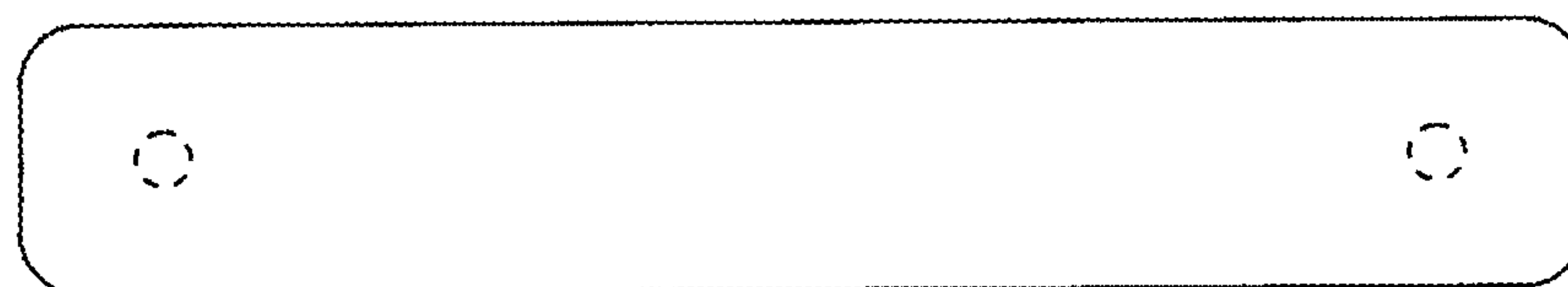


FIG. 6

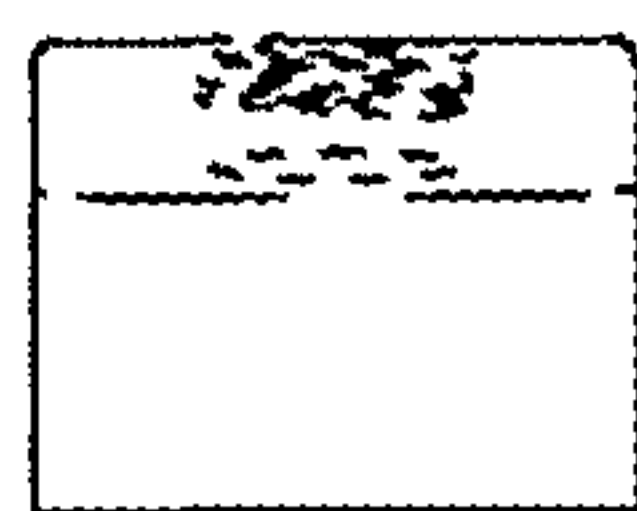


FIG. 7

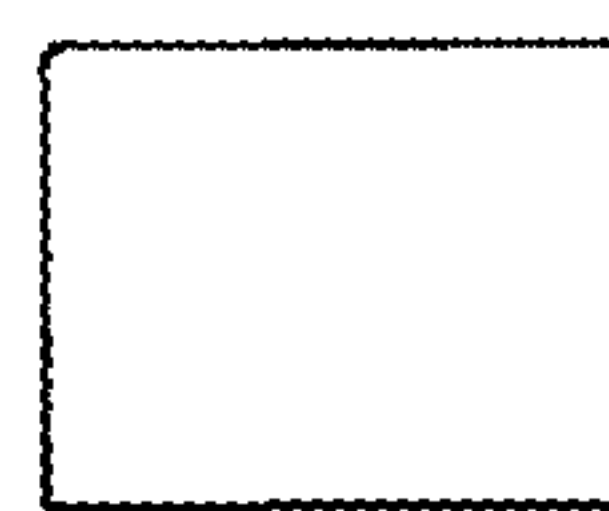


FIG. 8