



US00D817828S

(12) **United States Design Patent** (10) **Patent No.:** **US D817,828 S**  
**Scheinhütte** (45) **Date of Patent:** **\*\* May 15, 2018**

(54) **SPOILER FOR MOTOR VEHICLE**  
(71) Applicant: **Dr. Ing. h.c. F. Porsche**  
**Aktiengesellschaft, Stuttgart (DE)**  
(72) Inventor: **Ingo Scheinhütte, Eberdingen (DE)**  
(73) Assignee: **Dr. Ing. h.c. F. Porsche**  
**Aktiengesellschaft, Stuttgart (DE)**

D717,221 S \* 11/2014 Borkert ..... D12/181  
D731,935 S \* 6/2015 Robinson ..... D12/181  
D752,489 S \* 3/2016 Yamamoto ..... D12/181  
D754,579 S \* 4/2016 Battams ..... D12/181  
D763,149 S \* 8/2016 Wheel ..... D12/181  
D777,627 S \* 1/2017 Patel ..... D12/181  
D782,946 S \* 4/2017 Wheel ..... D12/181  
D786,156 S \* 5/2017 Kang ..... D12/181  
2016/0303954 A1 \* 10/2016 Kawashima ..... B62D 35/007

(\*\*) Term: **15 Years**  
(21) Appl. No.: **29/590,061**  
(22) Filed: **Jan. 6, 2017**

(30) **Foreign Application Priority Data**  
Jul. 7, 2016 (DE) ..... 40 2016 100 382  
(51) **LOC (11) Cl.** ..... **12-16**  
(52) **U.S. Cl.**  
USPC ..... **D12/181**  
(58) **Field of Classification Search**  
USPC ..... D12/96, 99, 400, 181, 182, 183, 184,  
D12/185, 190, 191, 192, 195  
CPC ..... B60R 13/02; B60R 13/04; B60D 35/02;  
B60D 35/005; B60D 35/007  
See application file for complete search history.

(56) **References Cited**  
**U.S. PATENT DOCUMENTS**  
D512,668 S \* 12/2005 Preiss ..... D12/181  
D535,598 S \* 1/2007 Murkett ..... D12/181  
D586,711 S \* 2/2009 Sato ..... D12/181  
D625,232 S \* 10/2010 Borkert ..... D12/181

**OTHER PUBLICATIONS**

Design U.S. Appl. No. 29/579,465, by Ingo Scheinhütte, filed Sep. 30, 2016.

\* cited by examiner

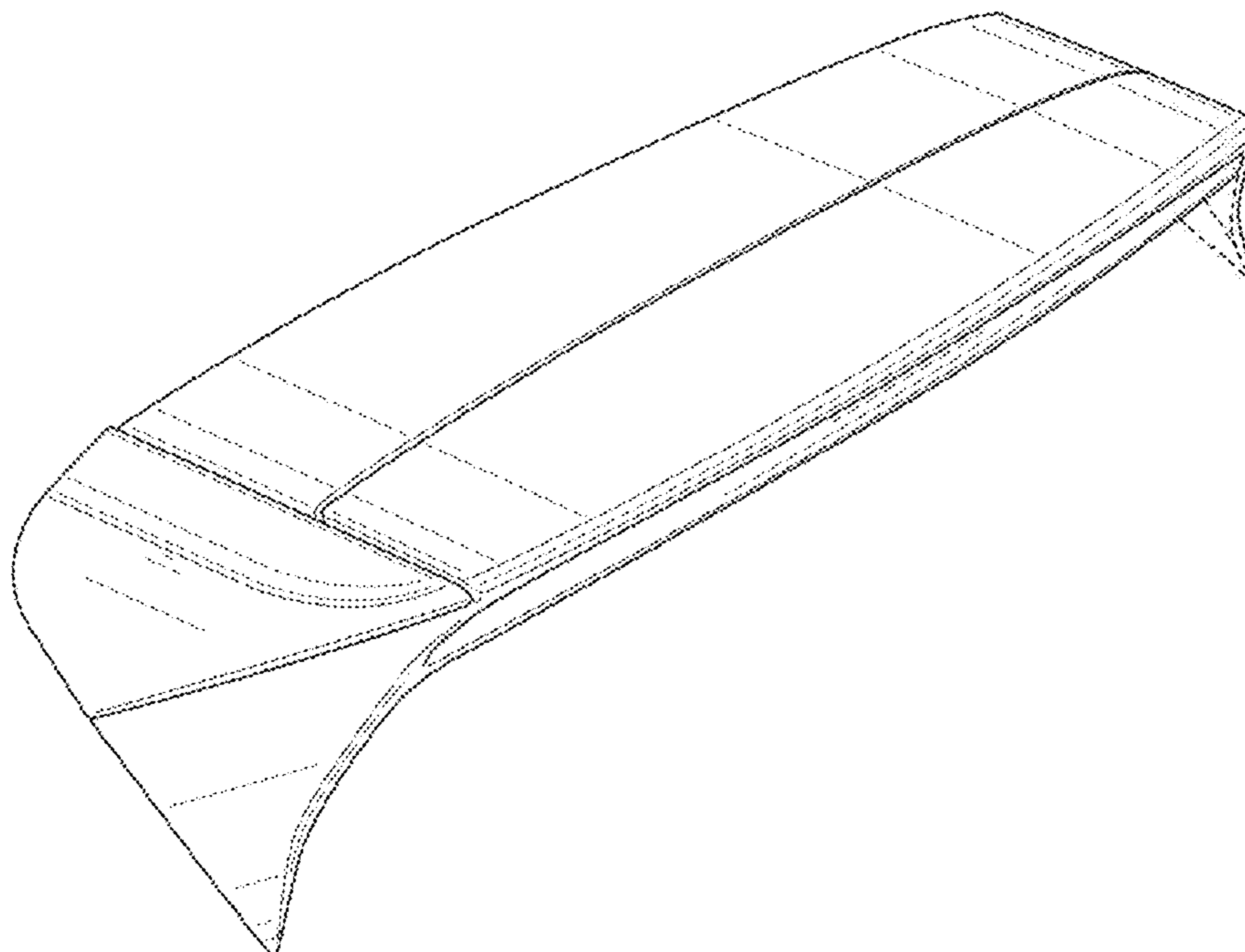
*Primary Examiner* — Karen S Acker  
*Assistant Examiner* — Jerry Shiuan-Hua Hsu  
(74) *Attorney, Agent, or Firm* — RatnerPrestia

(57) **CLAIM**  
The ornamental design for a spoiler for motor vehicle, as shown and described.

**DESCRIPTION**

FIG. 1 is a left perspective view of a spoiler for motor vehicle;  
FIG. 2 is a right perspective view thereof;  
FIG. 3 is a front elevation view thereof;  
FIG. 4 is an elevation view thereof from the right side;  
FIG. 5 is an elevation view thereof from the left side;  
FIG. 6 is a top plan view thereof; and,  
FIG. 7 is a bottom plan view thereof.  
The broken lines illustrate portions of the spoiler for motor vehicle that form no part of the claimed design.

**1 Claim, 6 Drawing Sheets**



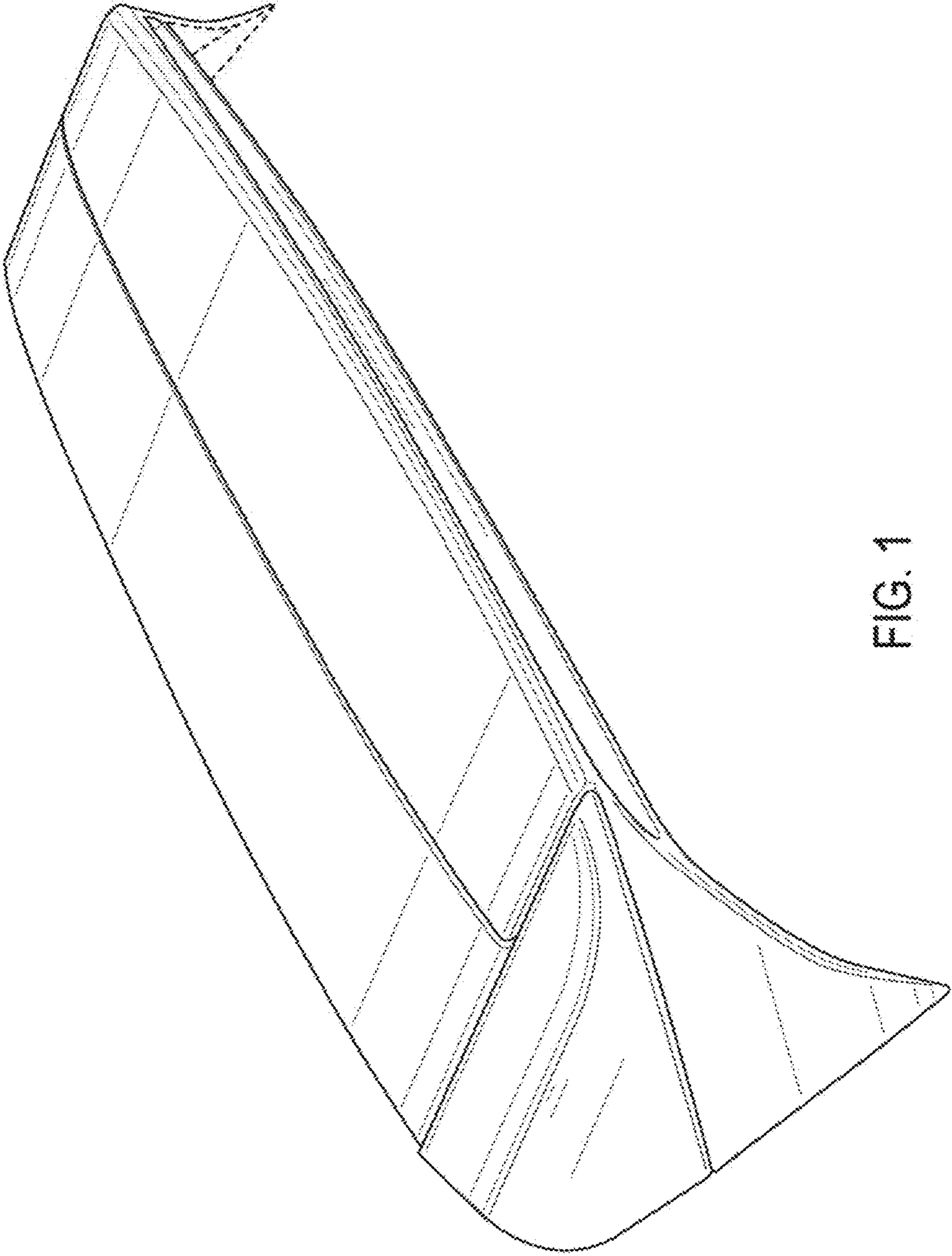


FIG. 1



FIG. 2

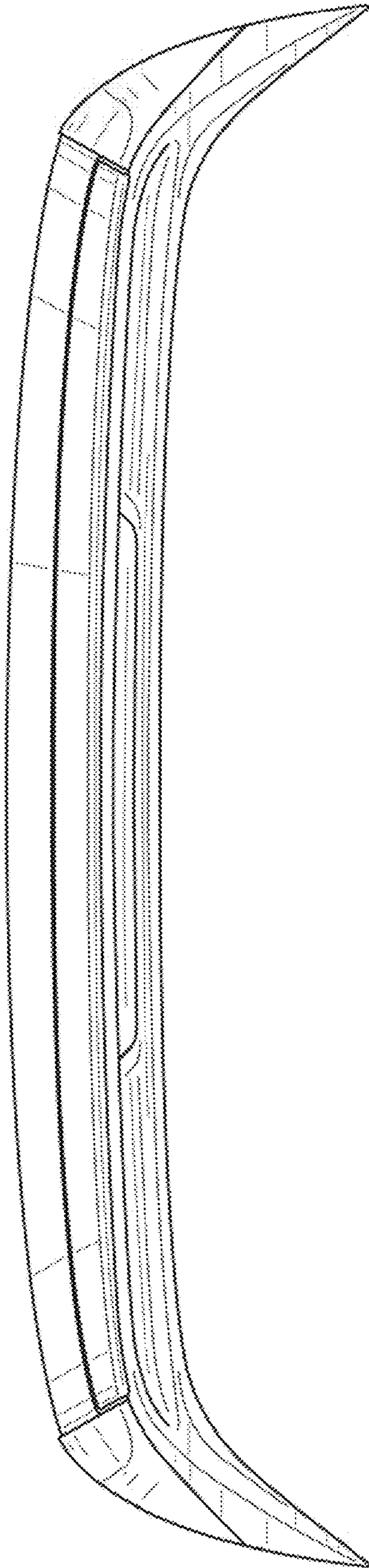


FIG. 3

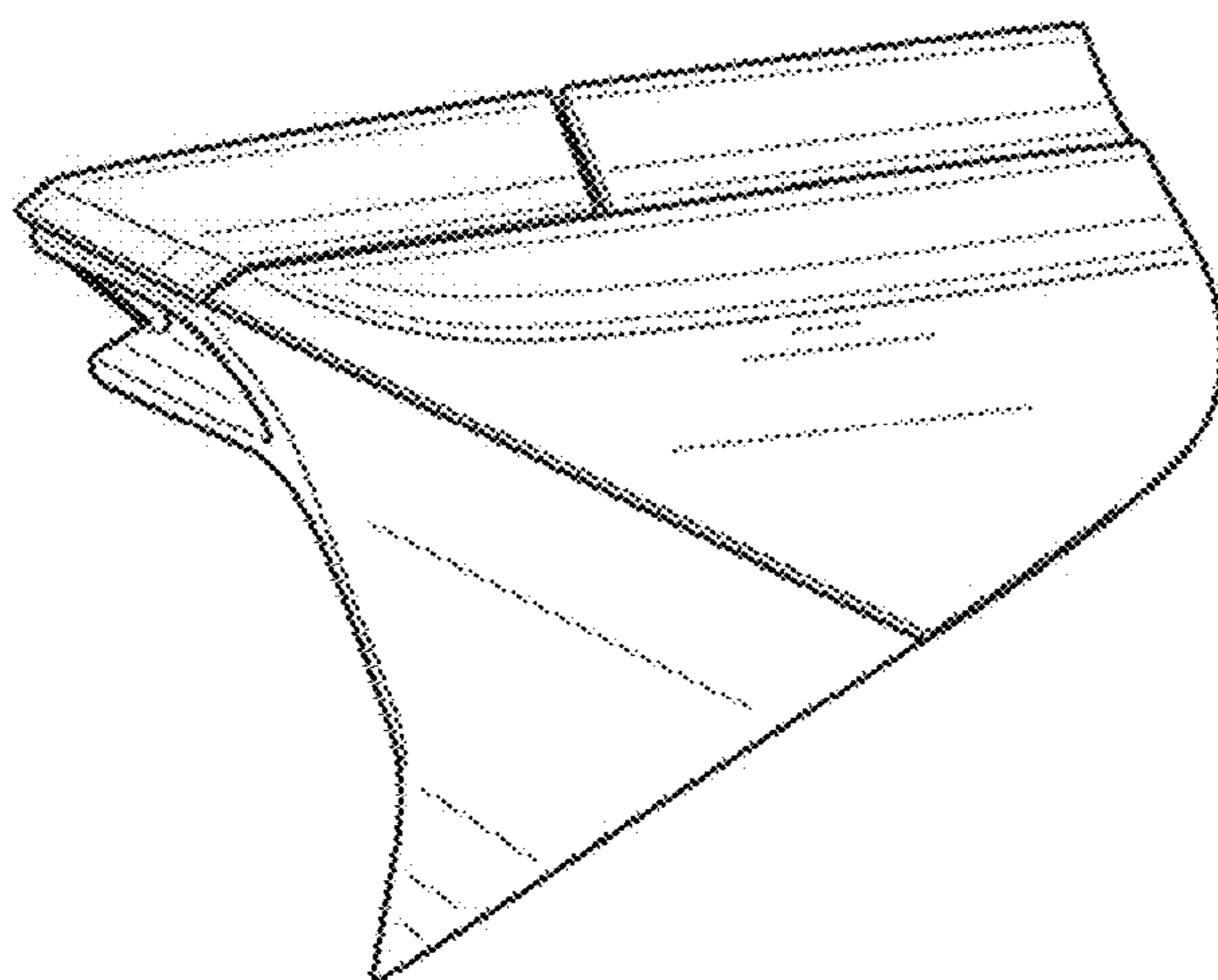


FIG. 4

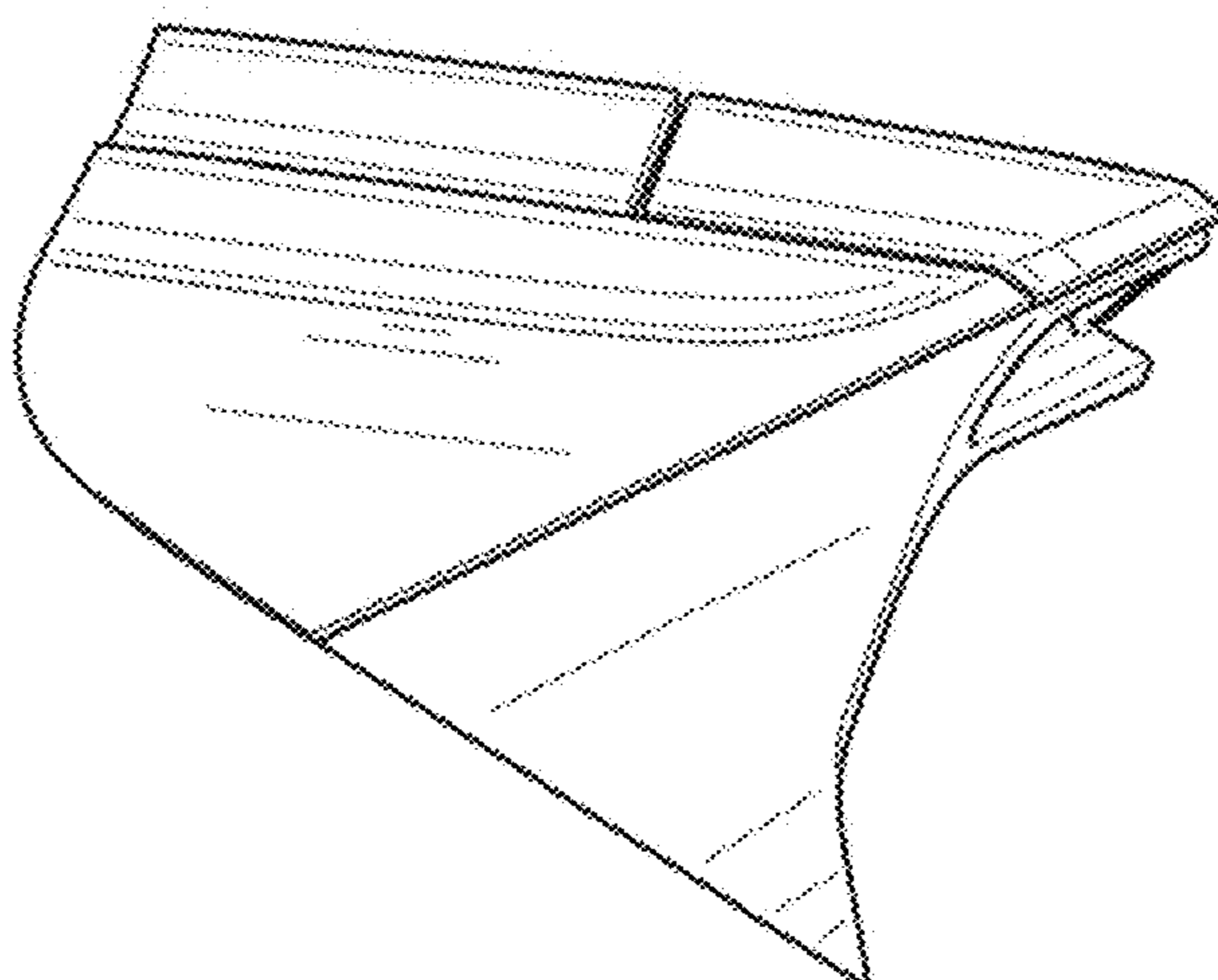


FIG. 5

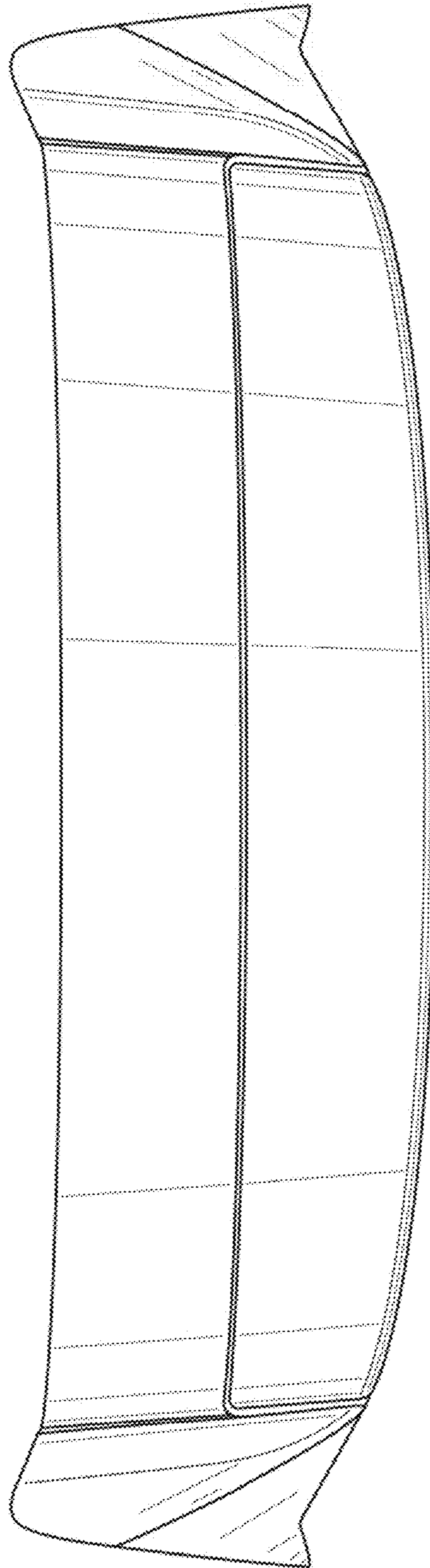


FIG. 6

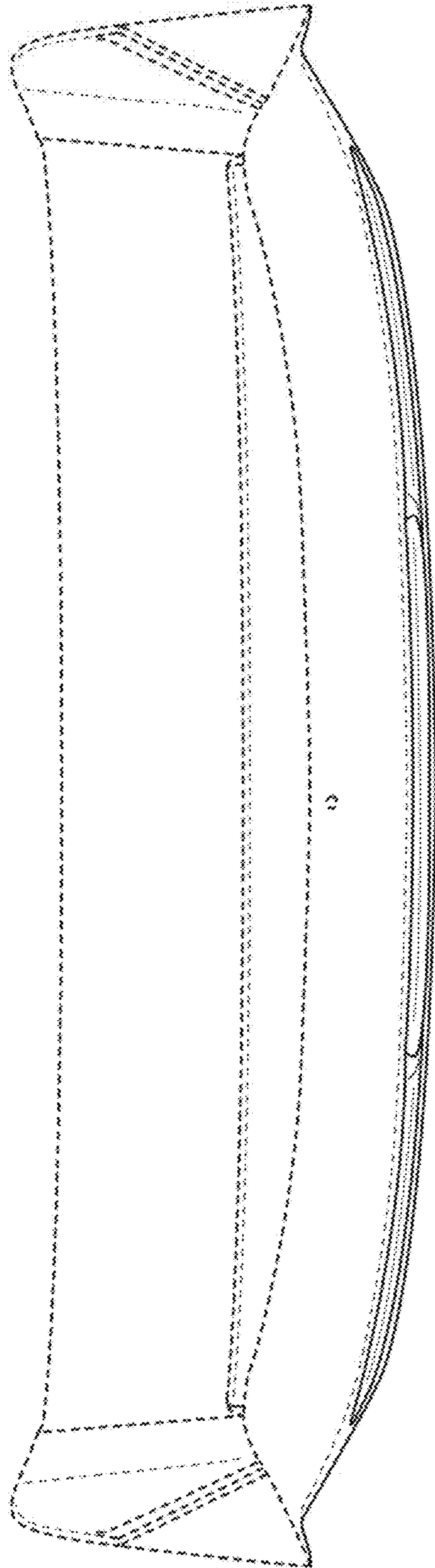


FIG. 7