



US00D817823S

(12) **United States Design Patent** (10) **Patent No.:** **US D817,823 S**  
**Simm** (45) **Date of Patent:** **\*\* May 15, 2018**

(54) **FRONT BUMPER FOR A VEHICLE**

FOREIGN PATENT DOCUMENTS

(71) Applicant: **Bayerische Motoren Werke Aktiengesellschaft, Munich (DE)**

WO WO DM/073504 10/2010  
WO WO DM/076560 2/2012  
WO WO DM/079707 6/2013

(72) Inventor: **Sebastian Simm, Munich (DE)**

\* cited by examiner

(73) Assignee: **Bayerische Motoren Werke Aktiengesellschaft, Munich (DE)**

*Primary Examiner* — Melody N Brown  
(74) *Attorney, Agent, or Firm* — Crowell & Moring LLP

(\*\*) Term: **15 Years**

(57) **CLAIM**

(21) Appl. No.: **29/594,686**

The ornamental design for a front bumper for a vehicle, as shown and described.

(22) Filed: **Feb. 22, 2017**

(30) **Foreign Application Priority Data**

**DESCRIPTION**

Aug. 23, 2016 (DE) ..... 40 2016 101 022

(51) **LOC (11) Cl.** ..... **12-16**

(52) **U.S. Cl.**  
USPC ..... **D12/169**

(58) **Field of Classification Search**  
USPC .... D12/169, 216, 90-92, 86, 171, 196, 163;  
293/102, 113, 115, 117, 120; 296/180.1,  
296/180.2

CPC ..... B60R 19/02; B60R 19/04; B62D 25/08  
See application file for complete search history.

This application contains subject matter related to the following co-pending U.S. design patent applications: Application Ser. No. 29/594,683, filed herewith and entitled "Vehicle, Toy, and/or Replicas Thereof"; Application Ser. No. 29/594,693, filed herewith and entitled "Front Bumper for a Vehicle"; and Application Ser. No. 29/594,695, filed herewith and entitled "Front Bumper for a Vehicle".

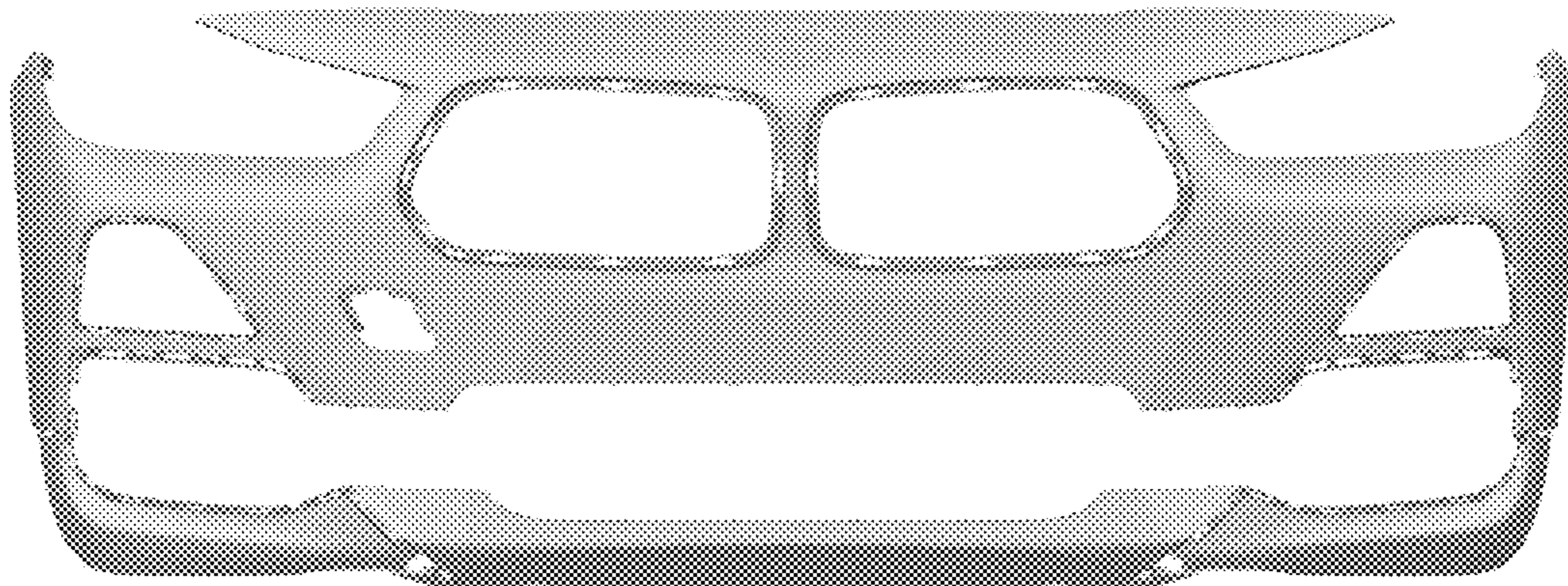
FIG. 1 is a front view of a front bumper for a vehicle according to the design;  
FIG. 2 is a front and right side perspective view thereof;  
FIG. 3 is a bottom and left side perspective view thereof;  
FIG. 4 is a right side view thereof;  
FIG. 5 is a left side view thereof;  
FIG. 6 is a top view thereof;  
FIG. 7 is a bottom view thereof; and,  
FIG. 8 is a rear view thereof.

(56) **References Cited**

U.S. PATENT DOCUMENTS

D638,758 S \* 5/2011 Faghihzadeh ..... D12/169  
D687,356 S \* 8/2013 Weil ..... D12/169  
D713,767 S \* 9/2014 Selvaag ..... D12/169  
D781,758 S \* 3/2017 Kim ..... D12/169  
D803,112 S \* 11/2017 Tomita ..... D12/169

**1 Claim, 8 Drawing Sheets**



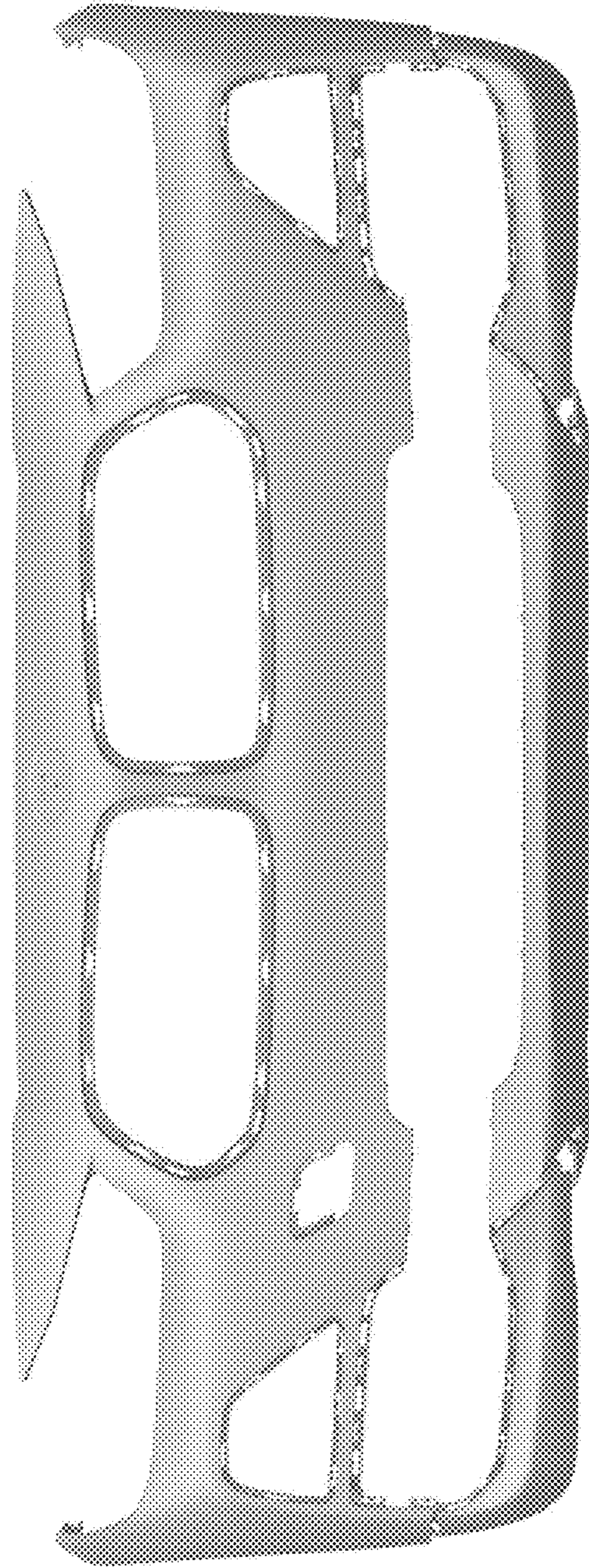


Fig. 1

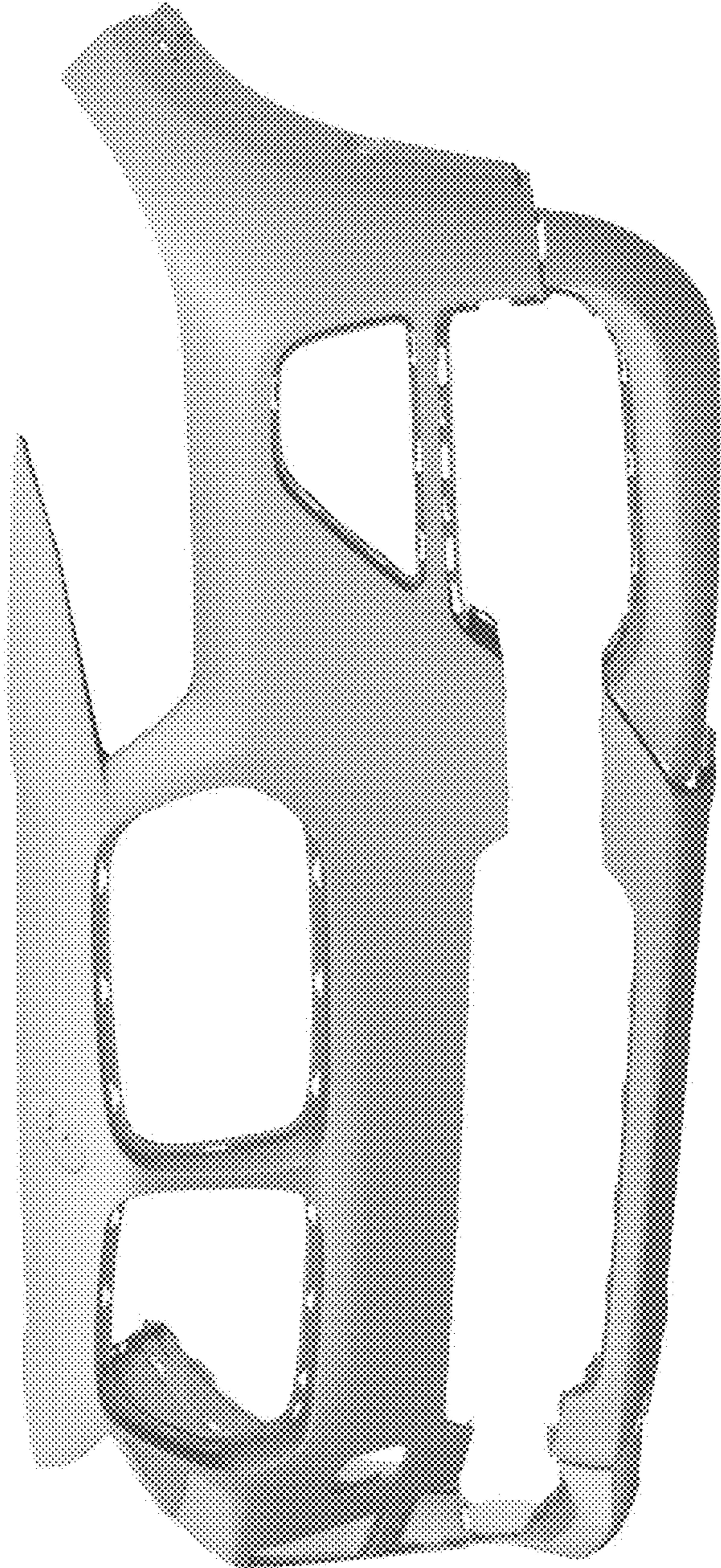


Fig. 2

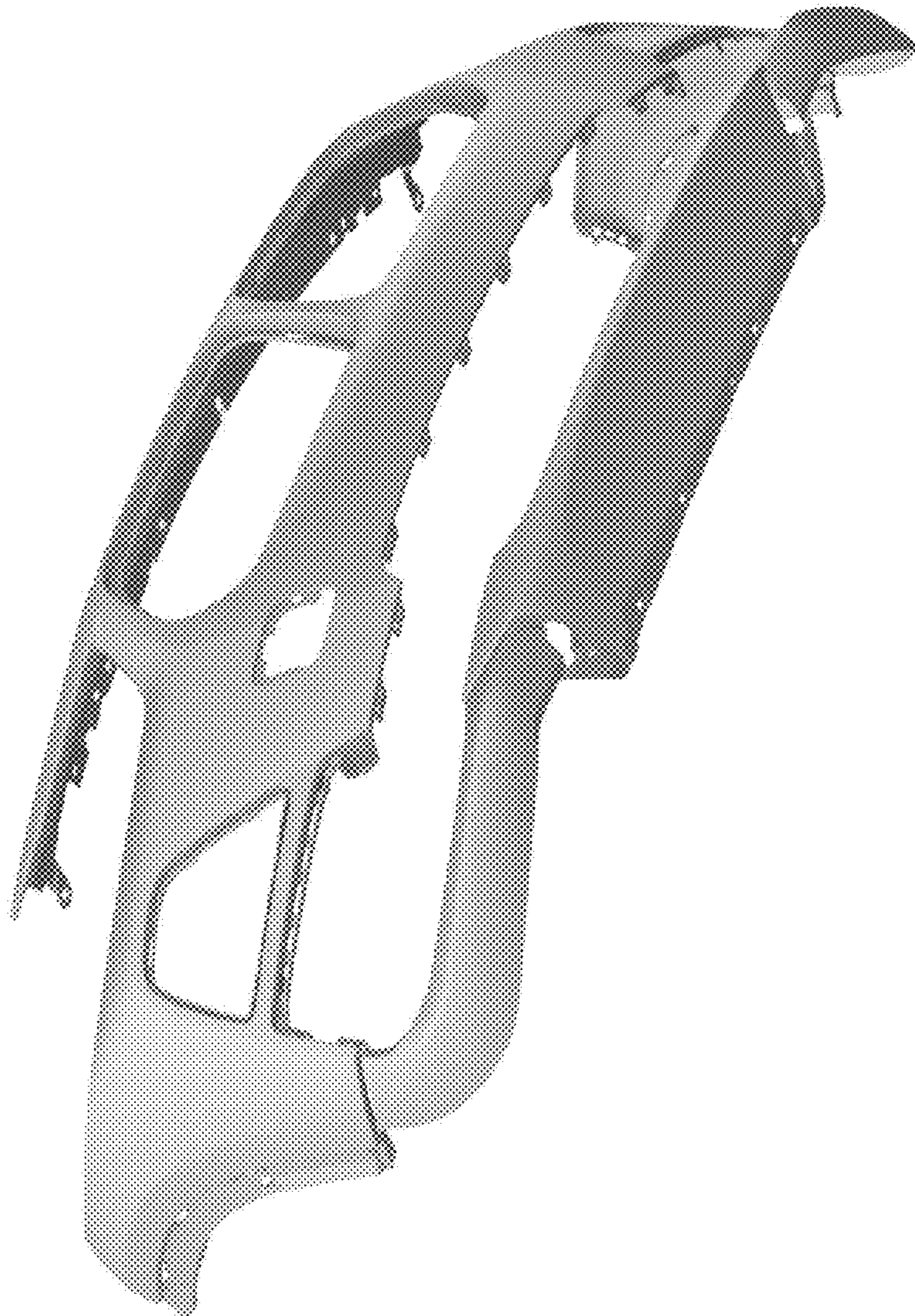


Fig. 3

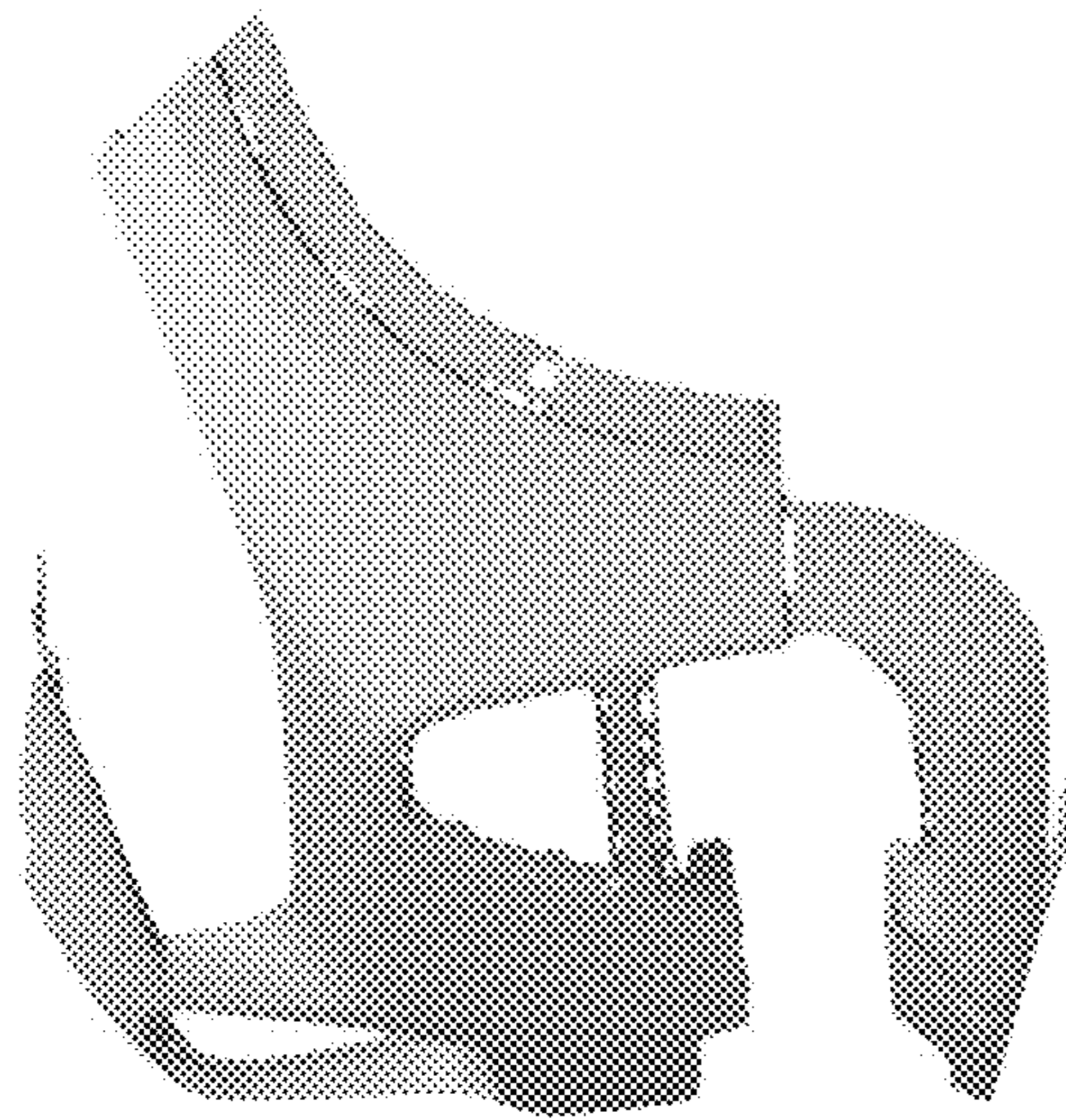


Fig. 4

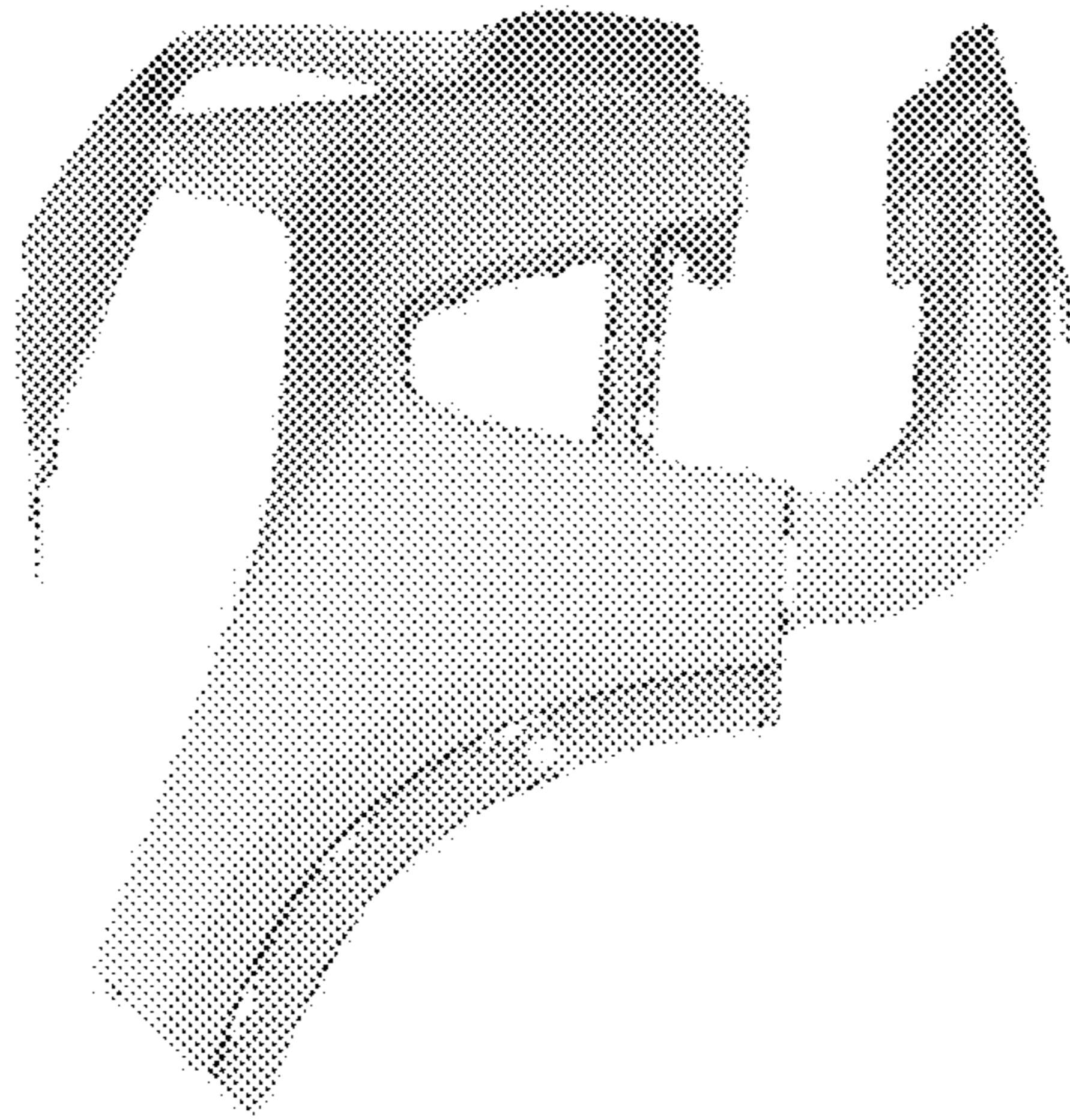


Fig. 5

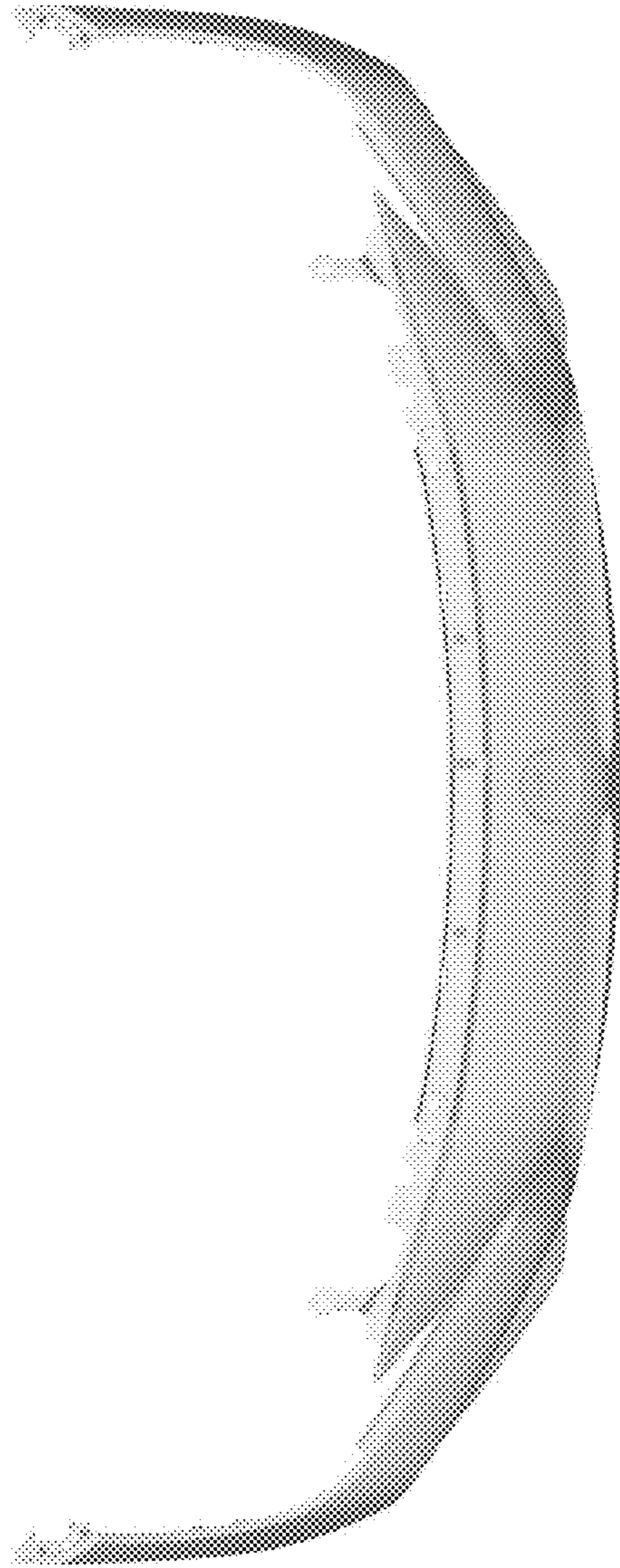


Fig. 6

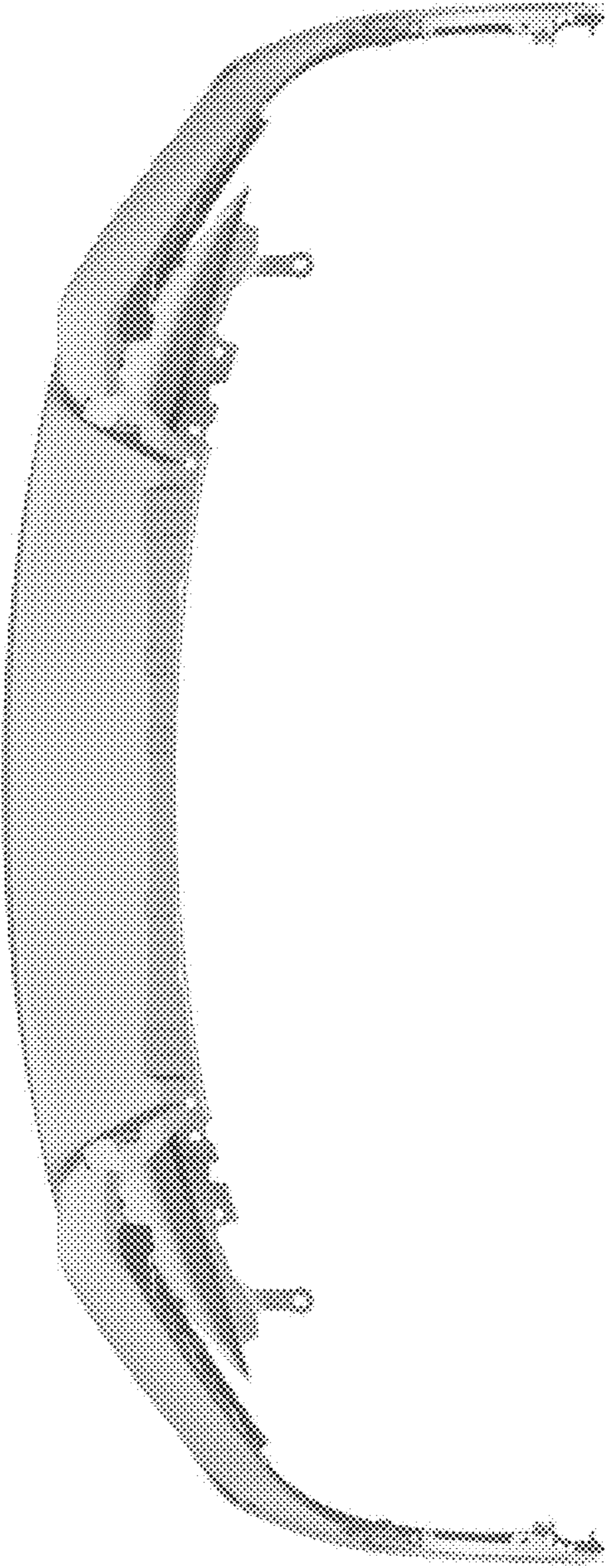


Fig. 7



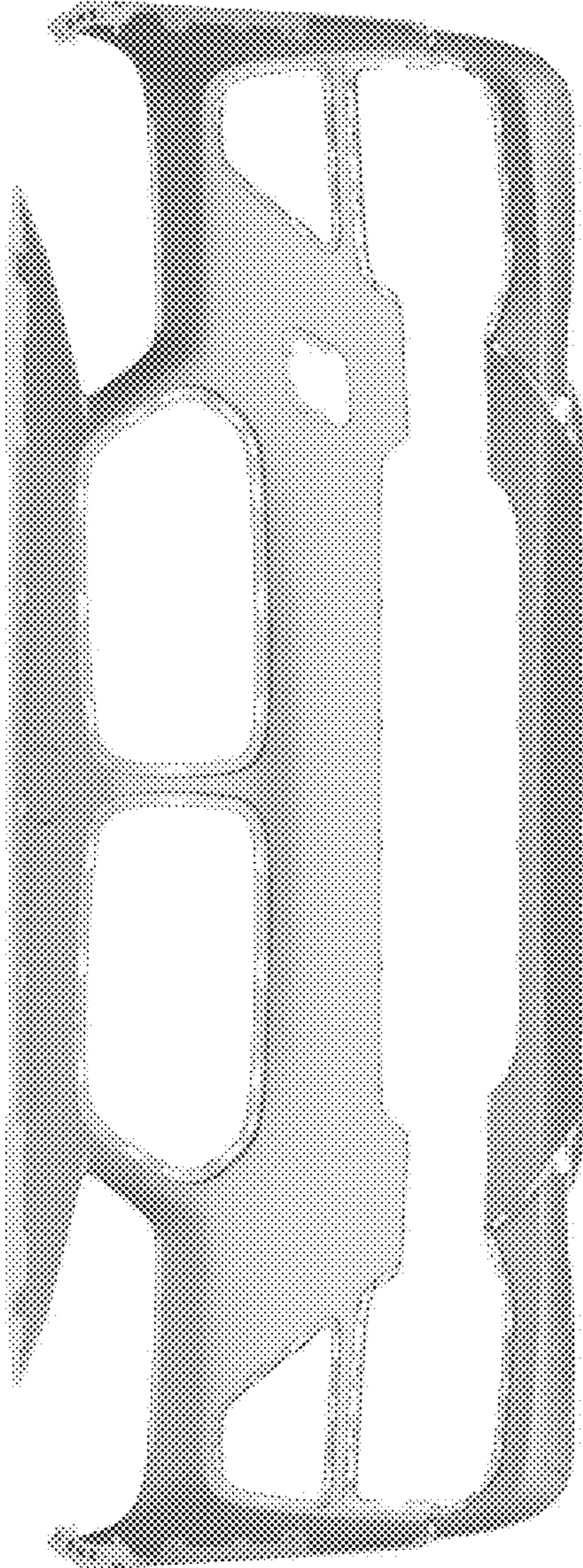


Fig. 8