



US00D817822S

(12) **United States Design Patent** (10) **Patent No.:** **US D817,822 S**  
**Platto et al.** (45) **Date of Patent:** **\*\* May 15, 2018**

(54) **VEHICLE FRONT BUMPER COVER**

D645,799 S \* 9/2011 Beigel ..... D12/169  
D721,303 S 1/2015 Platto  
D721,621 S \* 1/2015 Platto ..... D12/169  
D763,144 S \* 8/2016 Platto ..... D12/169  
D778,213 S \* 2/2017 Platto ..... D12/169

(71) Applicant: **Ford Global Technologies, LLC,**  
Dearborn, MI (US)

(72) Inventors: **Gordon M. Platto,** Troy, MI (US);  
**Sean W. Tant,** Livonia, MI (US);  
**William K. Moore,** West Bloomfield,  
MI (US)

\* cited by examiner

*Primary Examiner* — Melody N Brown

(74) *Attorney, Agent, or Firm* — James Dottavio

(73) Assignee: **Ford Global Technologies, LLC,**  
Dearborn, MI (US)

(\*\*) Term: **15 Years**

(57) **CLAIM**

The ornamental design for a vehicle front bumper cover, as shown and described.

(21) Appl. No.: **29/588,133**

(22) Filed: **Dec. 19, 2016**

(51) **LOC (11) Cl.** ..... **12-16**

(52) **U.S. Cl.**  
USPC ..... **D12/169**

**DESCRIPTION**

(58) **Field of Classification Search**  
USPC .... D12/169, 216, 90-92, 86, 171, 196, 163;  
293/102, 113, 115, 117, 120; 296/180.1,  
296/180.2  
CPC ..... B60R 19/02; B60R 19/04; B62D 25/08  
See application file for complete search history.

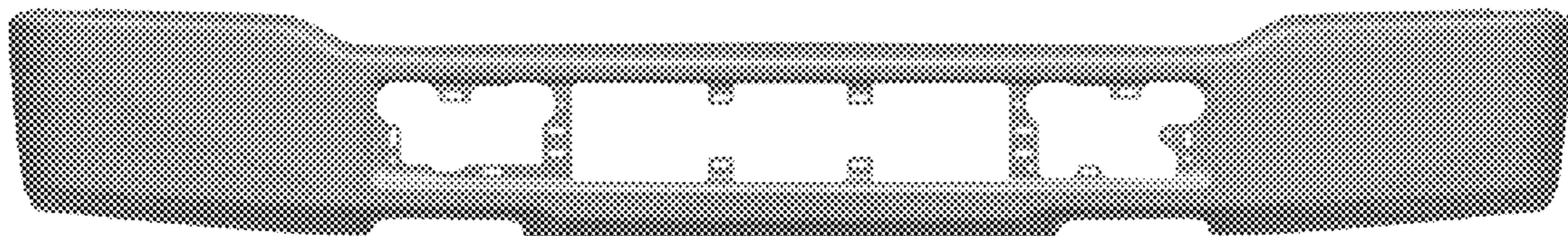
FIG. 1 is a top, left perspective view of a vehicle front bumper cover, showing our new design;  
FIG. 2 is a bottom, left perspective view thereof ;  
FIG. 3 is a top, rear perspective view thereof;  
FIG. 4 is a front elevational view thereof;  
FIG. 5 is a rear elevational view thereof;  
FIG. 6 is a left side elevational view thereof;  
FIG. 7 is a right side elevational view thereof;  
FIG. 8 is a top plan view thereof; and,  
FIG. 9 is a bottom plan view thereof.

(56) **References Cited**

U.S. PATENT DOCUMENTS

D560,144 S \* 1/2008 Tant ..... D12/169  
D590,752 S \* 4/2009 Williams ..... D12/169

**1 Claim, 9 Drawing Sheets**



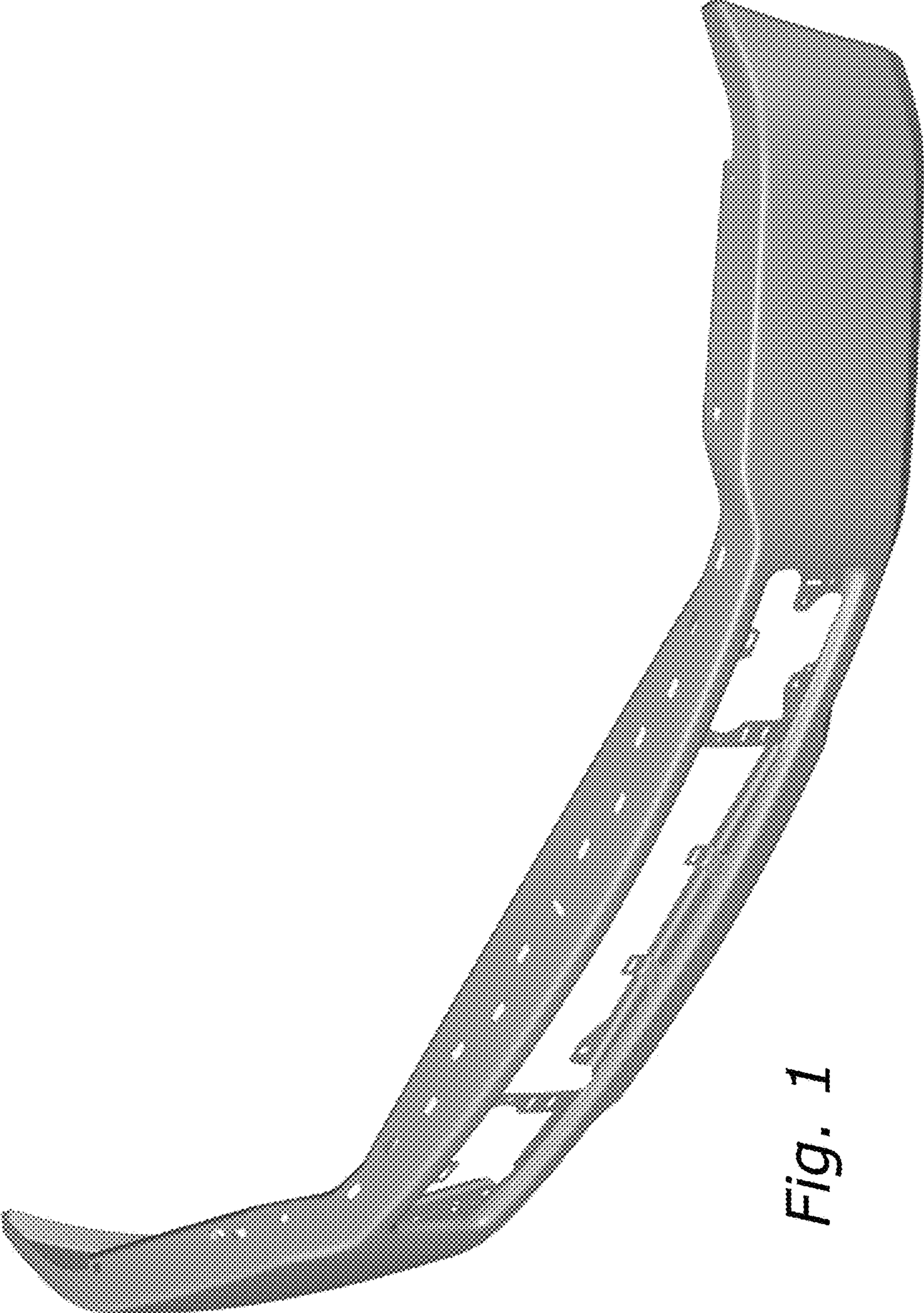


Fig. 1

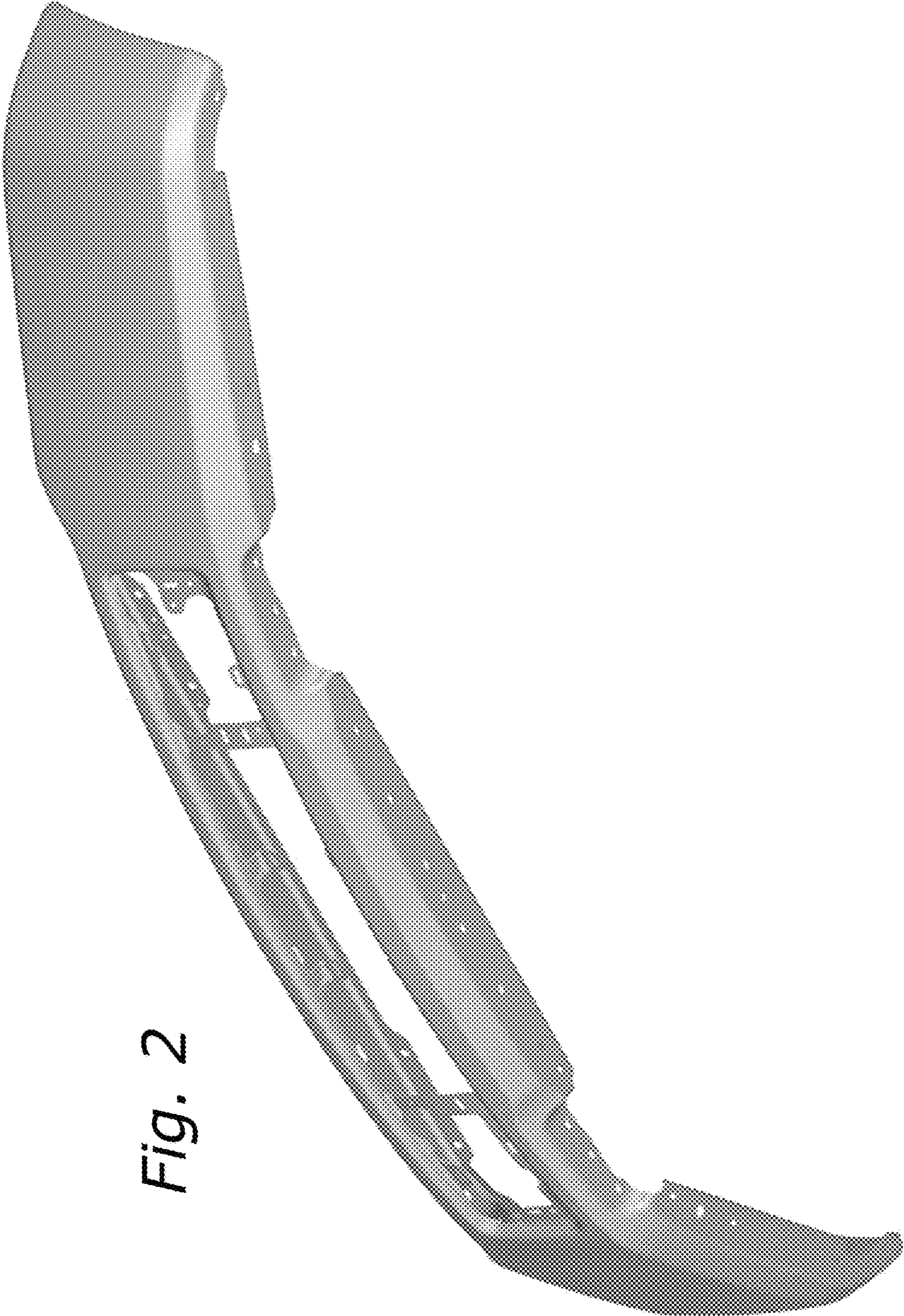


Fig. 2

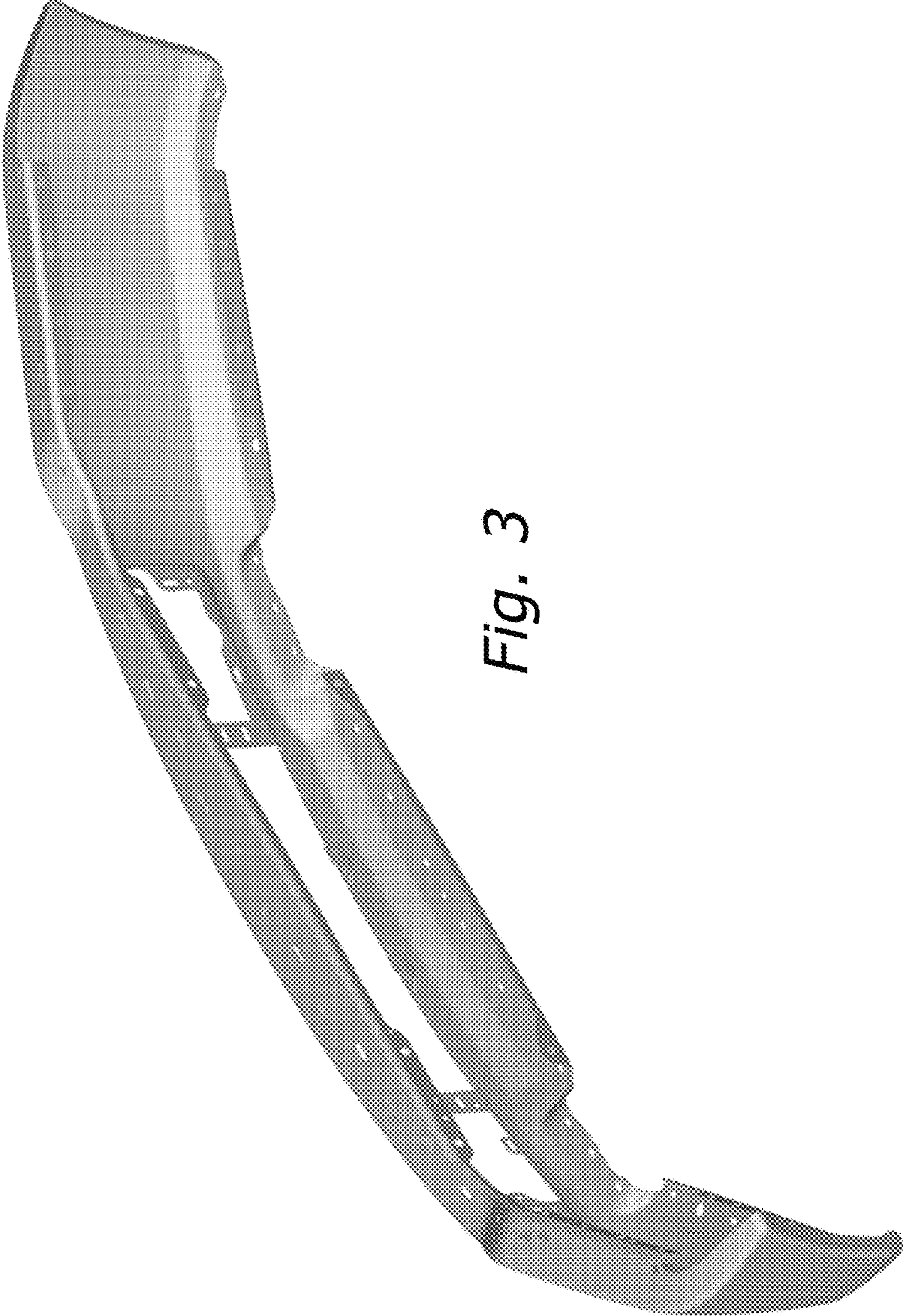
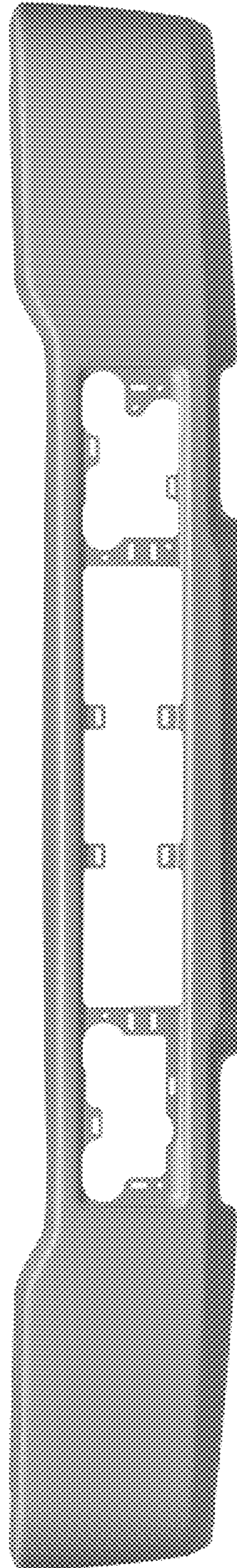


Fig. 3



*Fig. 4*

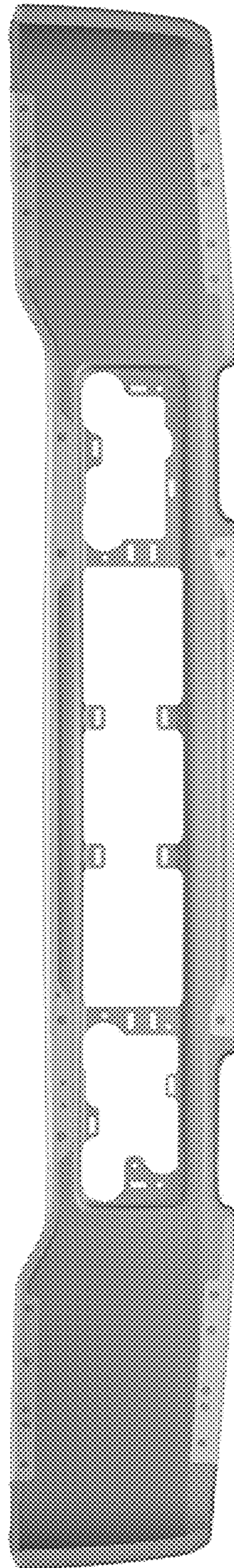
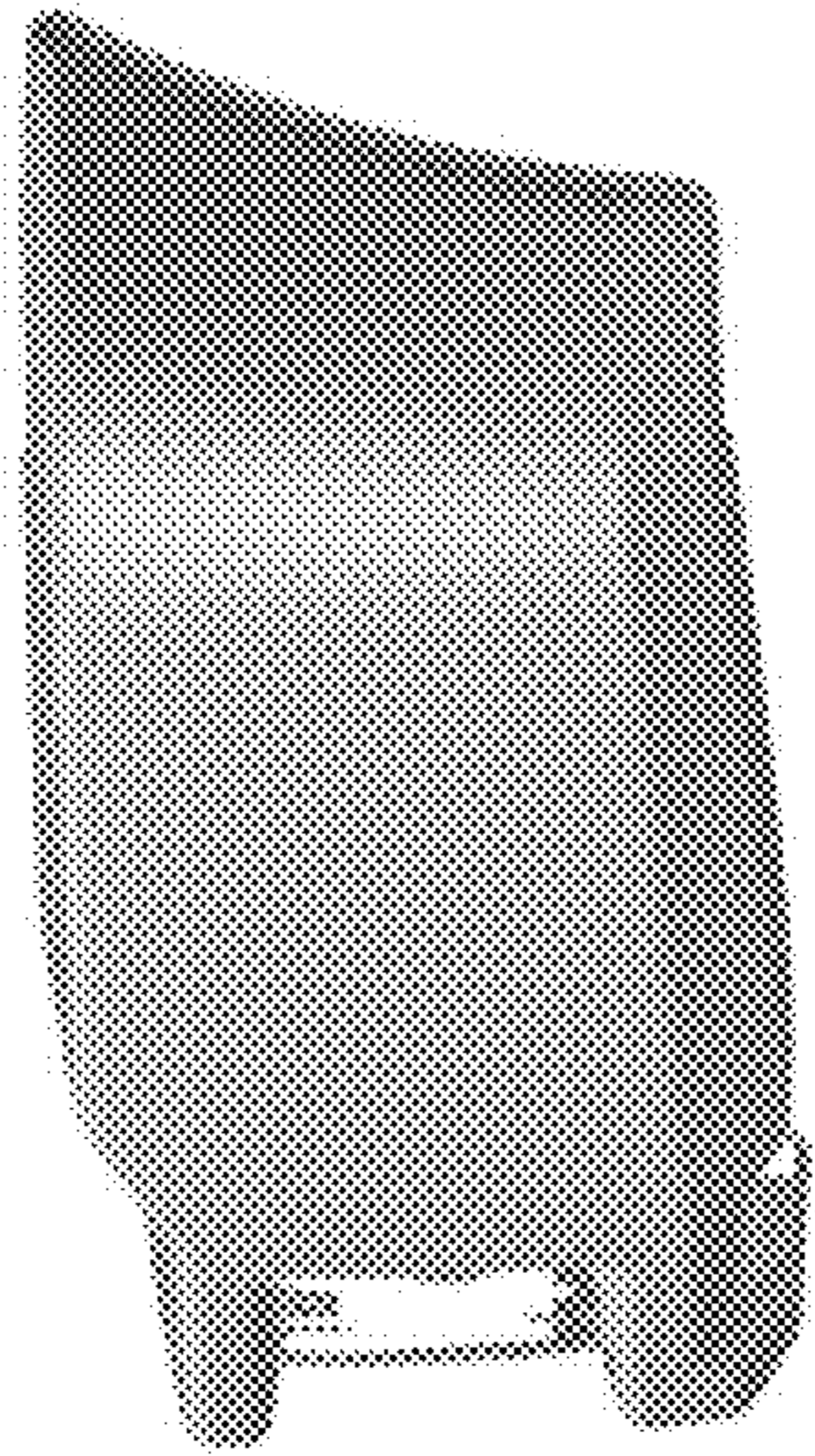


Fig. 5



*Fig. 6*

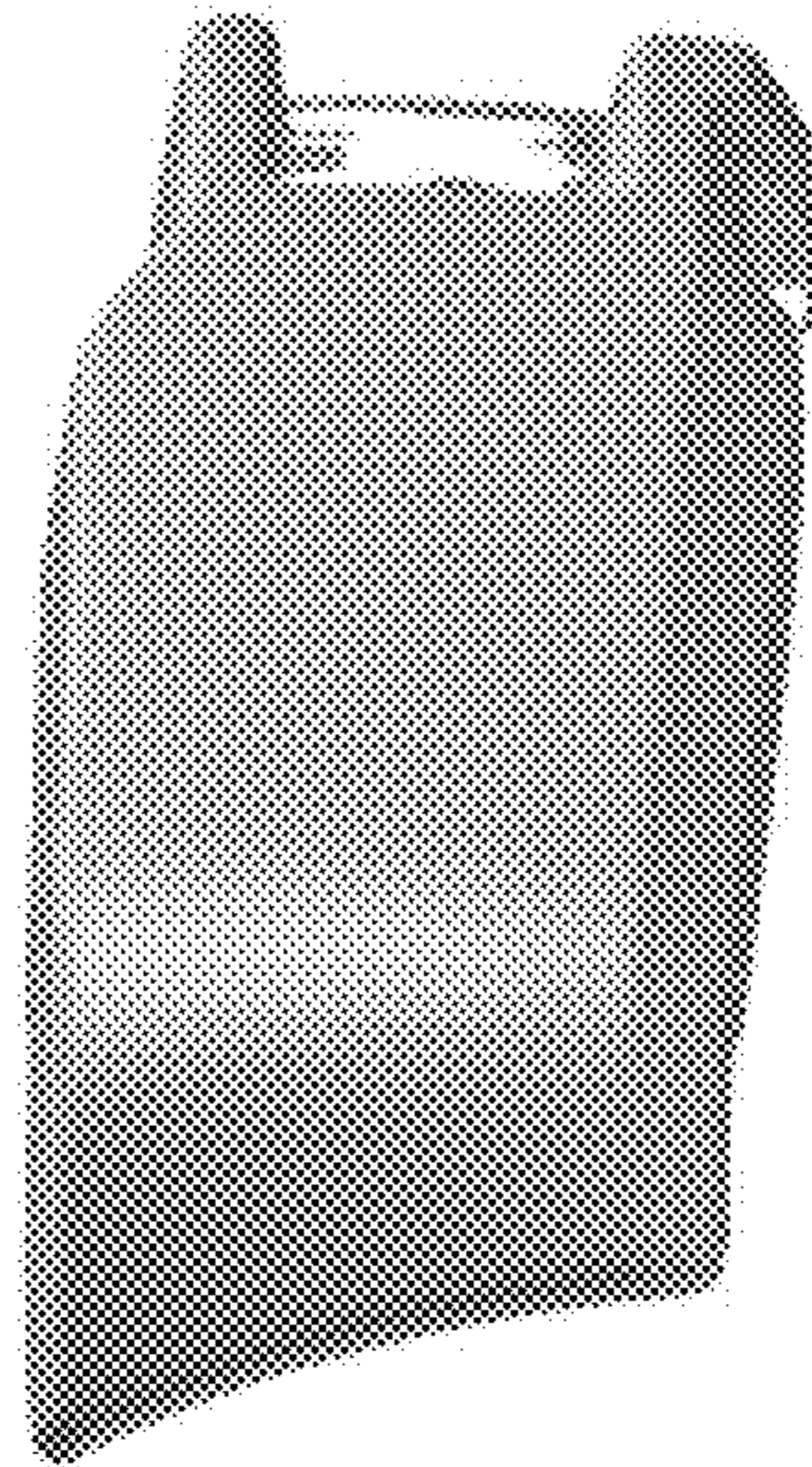


Fig. 7



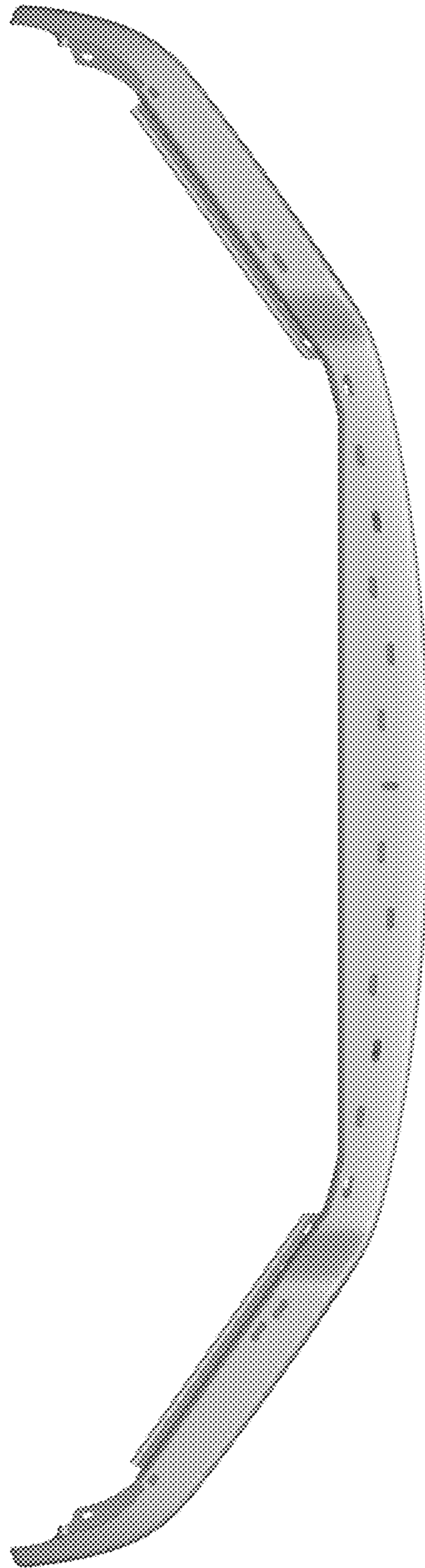


Fig. 8

Fig. 9

