



US00D817821S

(12) **United States Design Patent**  
**Baba et al.**

(10) **Patent No.:** **US D817,821 S**  
(45) **Date of Patent:** **\*\* May 15, 2018**

- (54) **WHEEL BEARING**
- (71) Applicant: **NTN CORPORATION**, Nishi-ku,  
Osaka-shi, Osaka (JP)
- (72) Inventors: **Tomoko Baba**, Iwata (JP); **Kazunari Yamamoto**, Iwata (JP)
- (73) Assignee: **NTN CORPORATION**, Osaka (JP)
- (\*\*) Term: **15 Years**
- (21) Appl. No.: **29/573,435**
- (22) Filed: **Aug. 5, 2016**
- (30) **Foreign Application Priority Data**

Feb. 9, 2016 (JP) ..... 2016-002783

- (51) **LOC (11) Cl.** ..... **12-16**
- (52) **U.S. Cl.**  
USPC ..... **D12/160**
- (58) **Field of Classification Search**  
USPC ..... D12/159-160; D21/763  
CPC ..... B60G 11/22; B60G 2204/125; B60G  
2202/143; B60G 2202/142; B60G  
2204/41; B60G 2202/14; B60G 2206/73  
See application file for complete search history.

(56) **References Cited**

**U.S. PATENT DOCUMENTS**

- 6,398,240 B1 \* 6/2002 Taylor ..... B60G 3/18  
280/93.511
- 8,511,903 B2 \* 8/2013 Masuda ..... B21K 1/12  
384/544
- 8,534,924 B2 \* 9/2013 Zwarts ..... B60B 27/0005  
301/105.1
- 8,556,737 B2 \* 10/2013 Yamauchi ..... B60B 27/0026  
464/178
- 8,568,036 B2 \* 10/2013 Torii ..... B60B 27/0005  
384/544

- 8,585,298 B2 \* 11/2013 Komori ..... B60B 27/0005  
384/448
- D719,493 S \* 12/2014 Mochinaga ..... D12/160
- D799,383 S \* 10/2017 Kong ..... D12/159
- 2013/0195389 A1 \* 8/2013 Seki ..... F16C 33/723  
384/446

(Continued)

*Primary Examiner* — Michael A. Pratt

(74) *Attorney, Agent, or Firm* — Andrew F. Young, Esq.;  
Lackebach Siegel, LLP

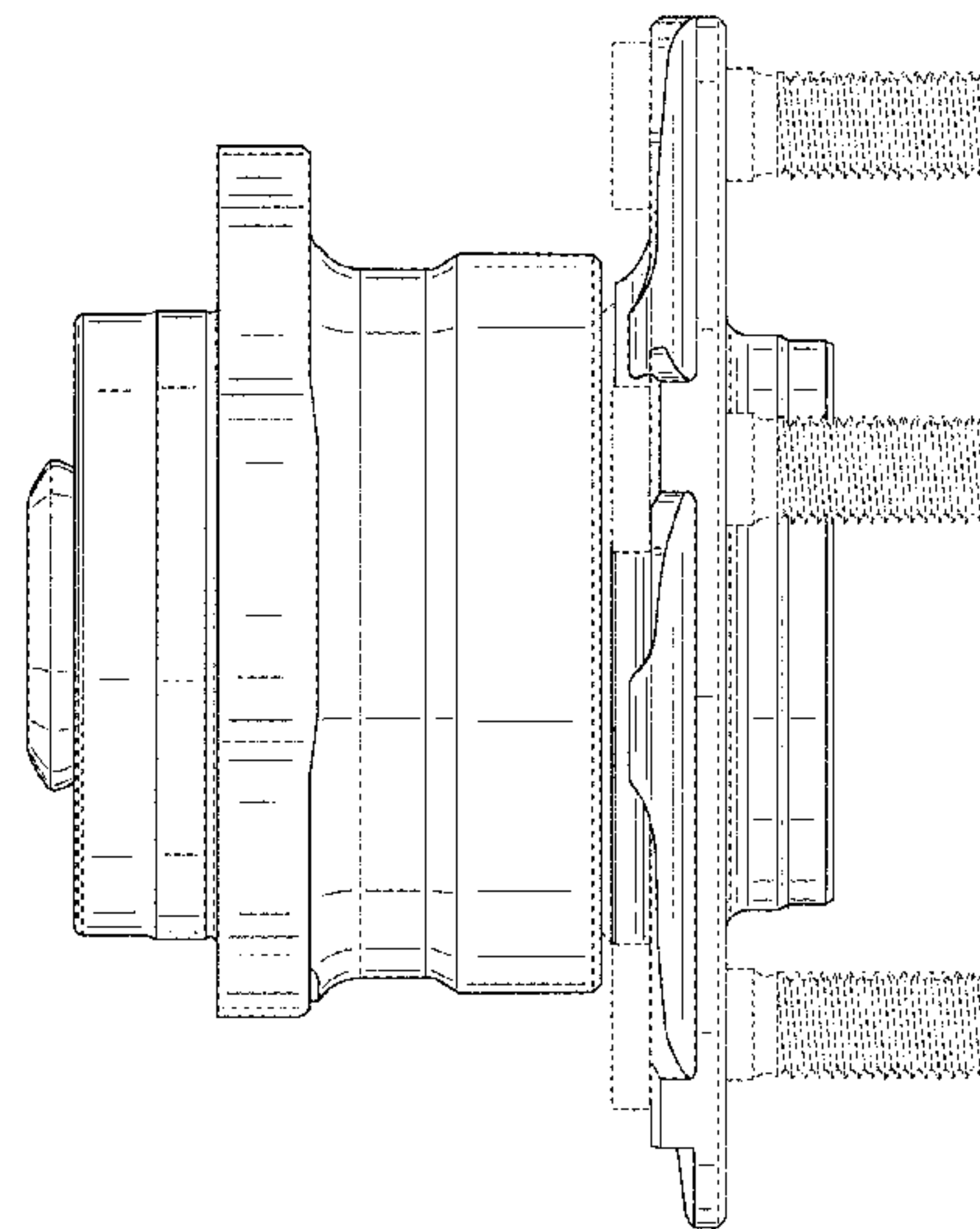
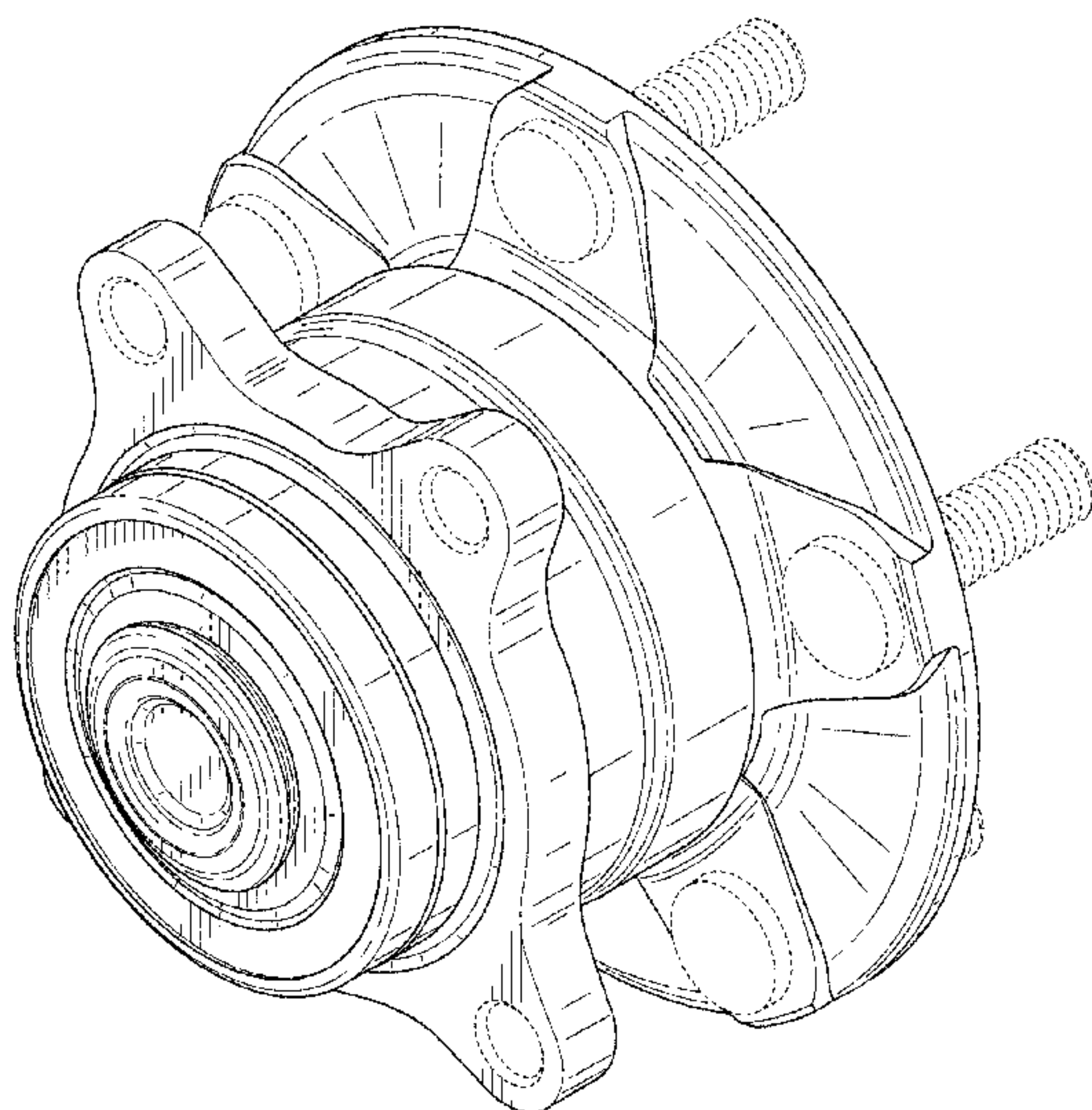
(57) **CLAIM**

The ornamental design for a wheel bearing, as shown and described.

**DESCRIPTION**

FIG. 1 is a front perspective view of the present invention. FIG. 2 is a front elevation view of FIG. 1. FIG. 3 is rear side elevation view of FIG. 1. FIG. 4 is a bottom plan view of FIG. 1. FIG. 5 is a top plan view of FIG. 1. FIG. 6 is a left side elevation view of FIG. 1. FIG. 7 is a right side elevation view of FIG. 1. FIG. 8 illustrates a reference rear view of the wheel bearing for a wheel according to the embodiment. FIG. 9 illustrates a combined sectional view taken along line A-B-C in FIG. 8 of the wheel bearing according to the embodiment; and, FIG. 10 illustrates a combined sectional view taken along line A-B-C in FIG. 8 of the wheel bearing according to the embodiment in an assembled state with a wheel. A wheel bearing for a wheel supports a wheel of vehicle in a rotatable manner. In the drawings, the broken lines depict unclaimed environmental subject matter and form no part of the claim. No claim is made to portions that are not shown. The inner portions are not claimed and are provided for illustrative purposes in FIGS. 9 and 10. The surface is lined for contour only.

**1 Claim, 10 Drawing Sheets**



(56)

**References Cited**

U.S. PATENT DOCUMENTS

2013/0241270 A1\* 9/2013 Morita ..... F16C 33/805  
301/110  
2014/0010487 A1\* 1/2014 Seki ..... F16C 33/723  
384/446

\* cited by examiner

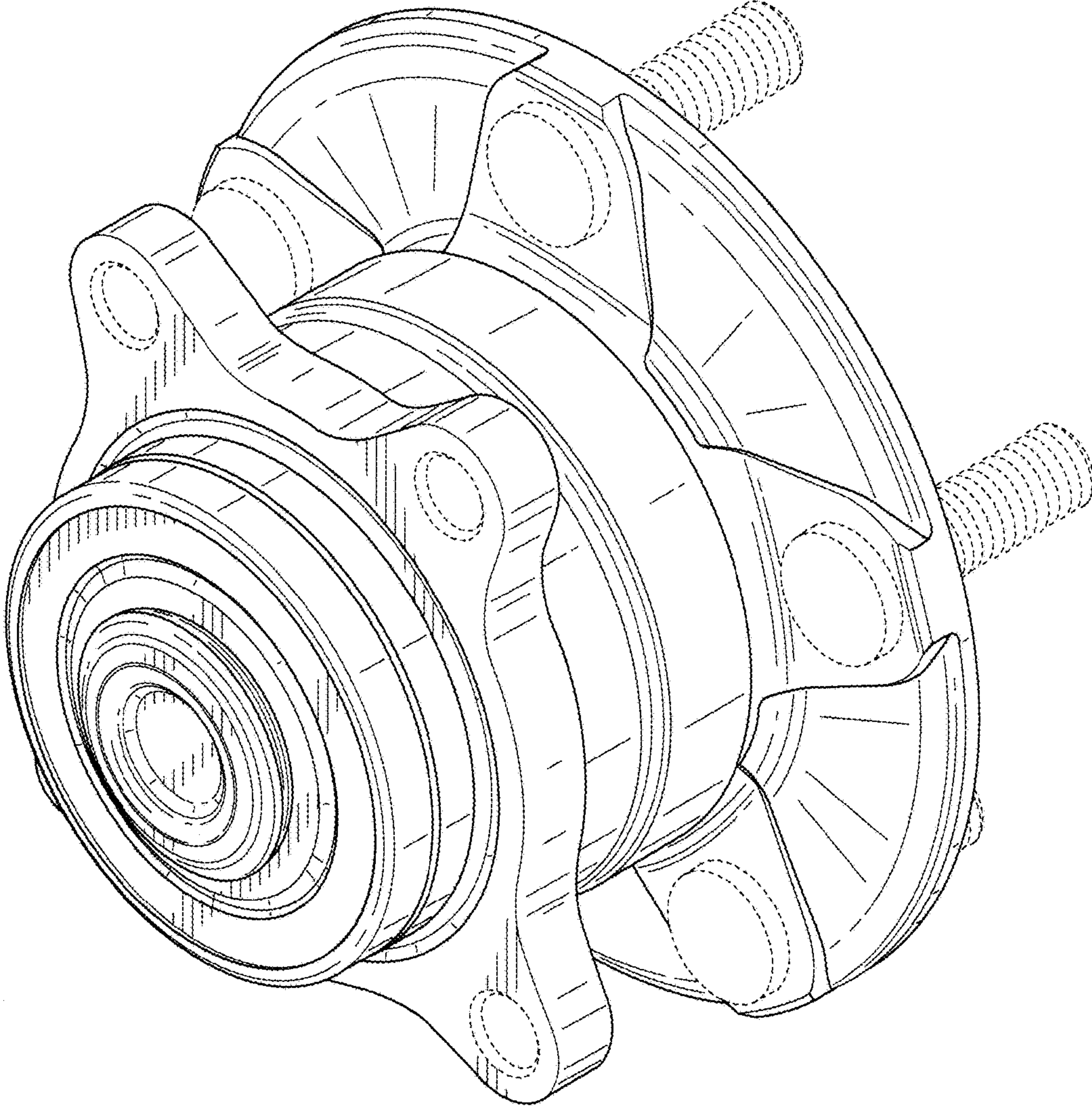


FIG. 1



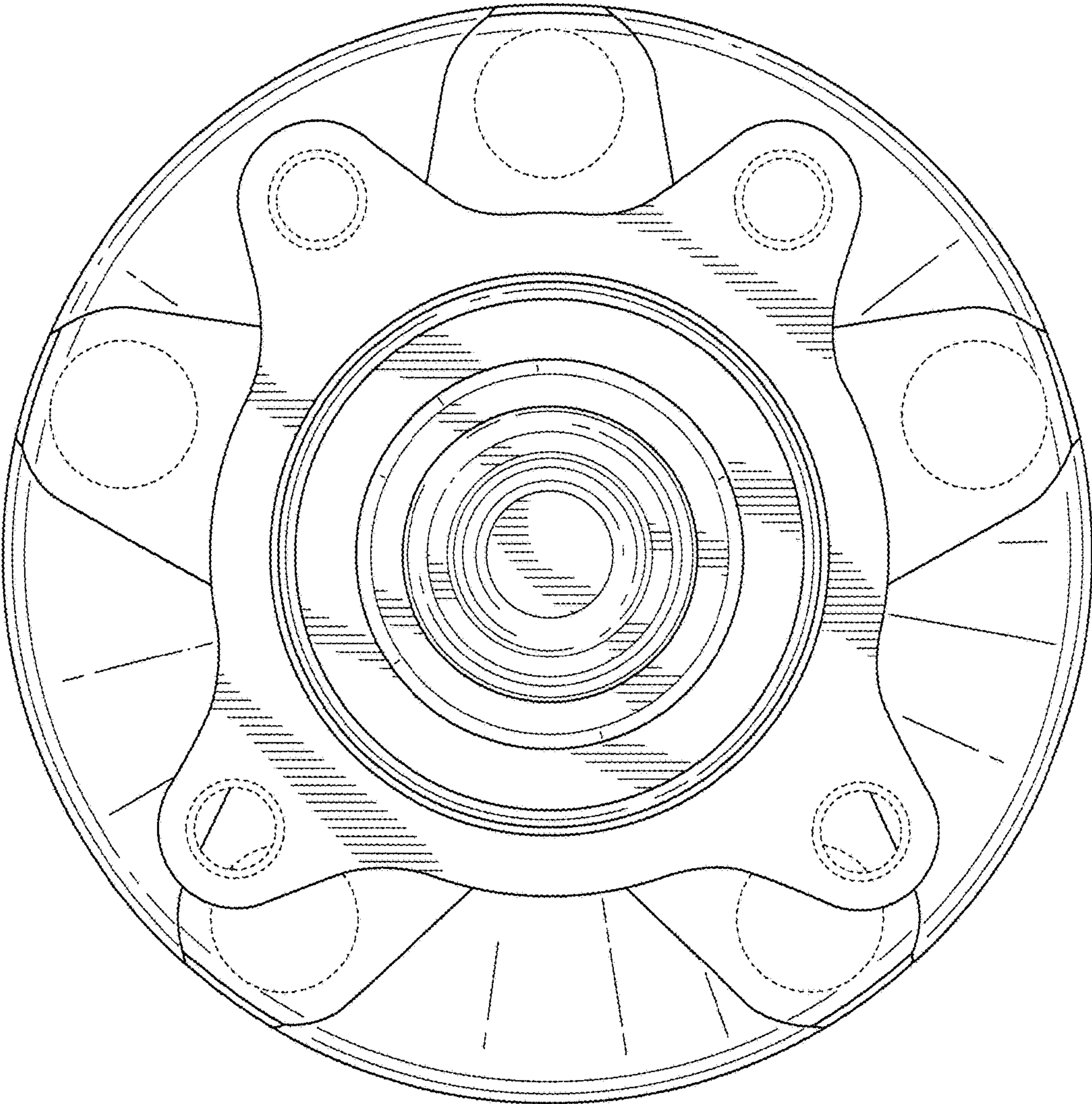


FIG. 2

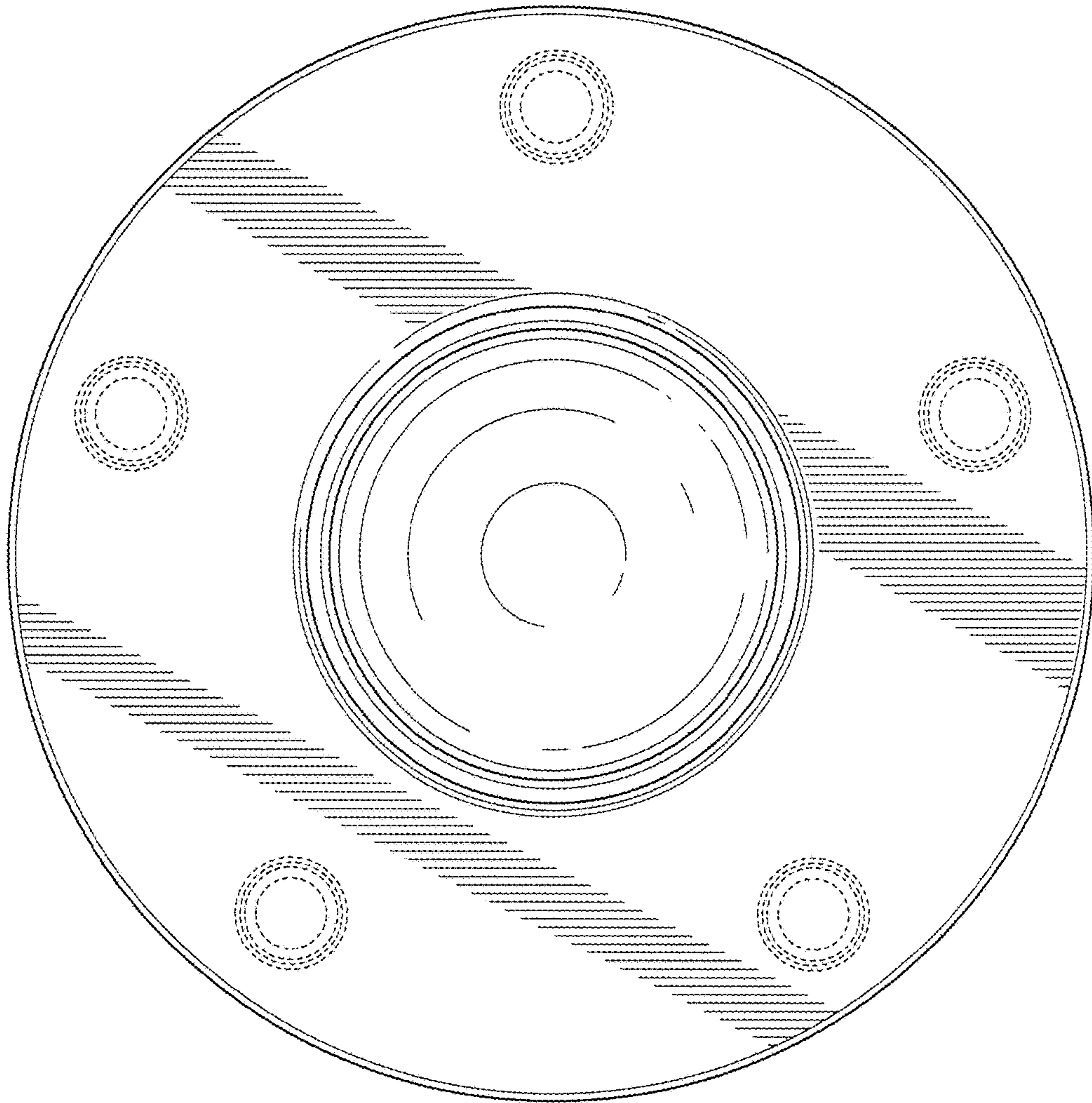


FIG. 3

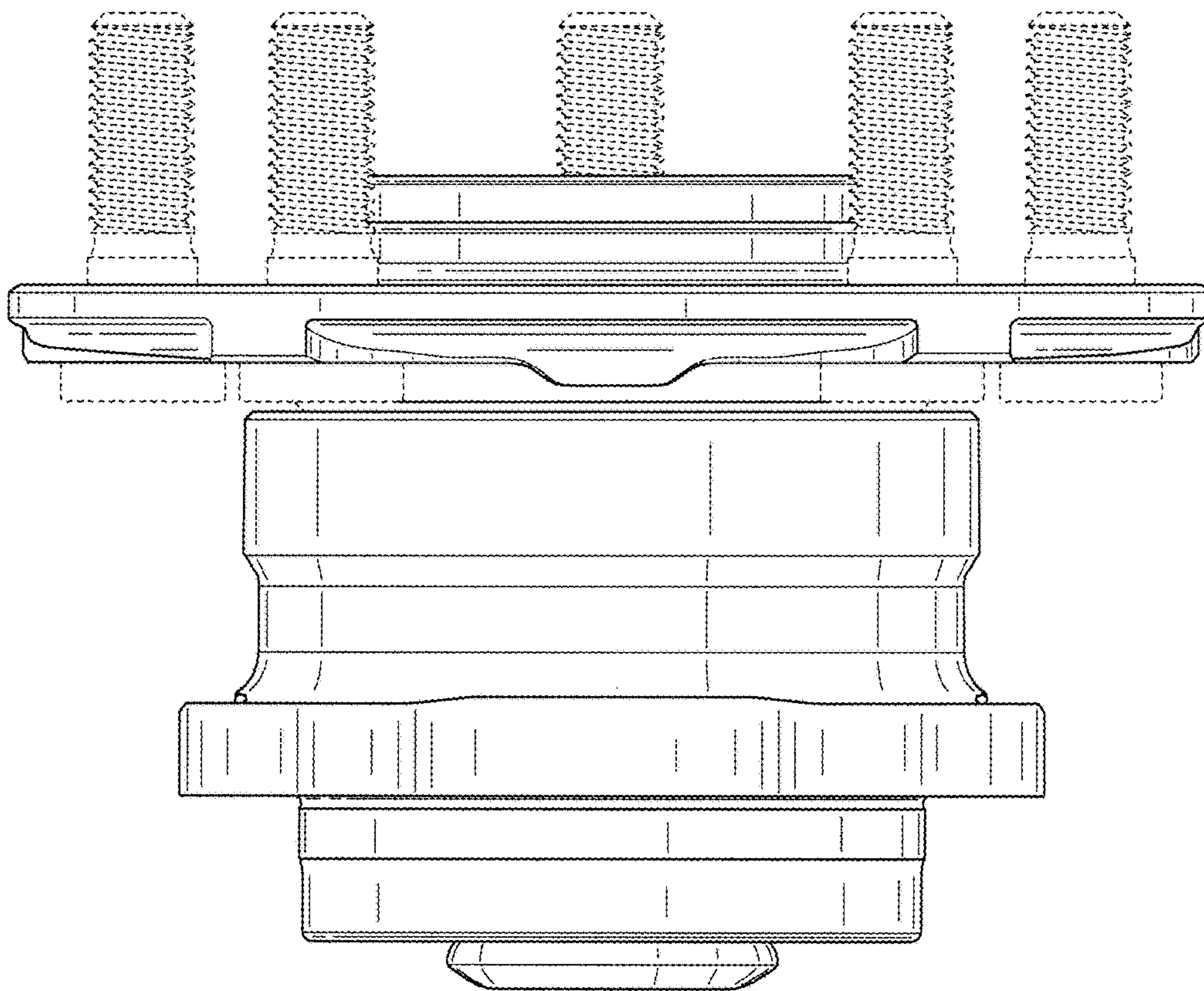


FIG. 4

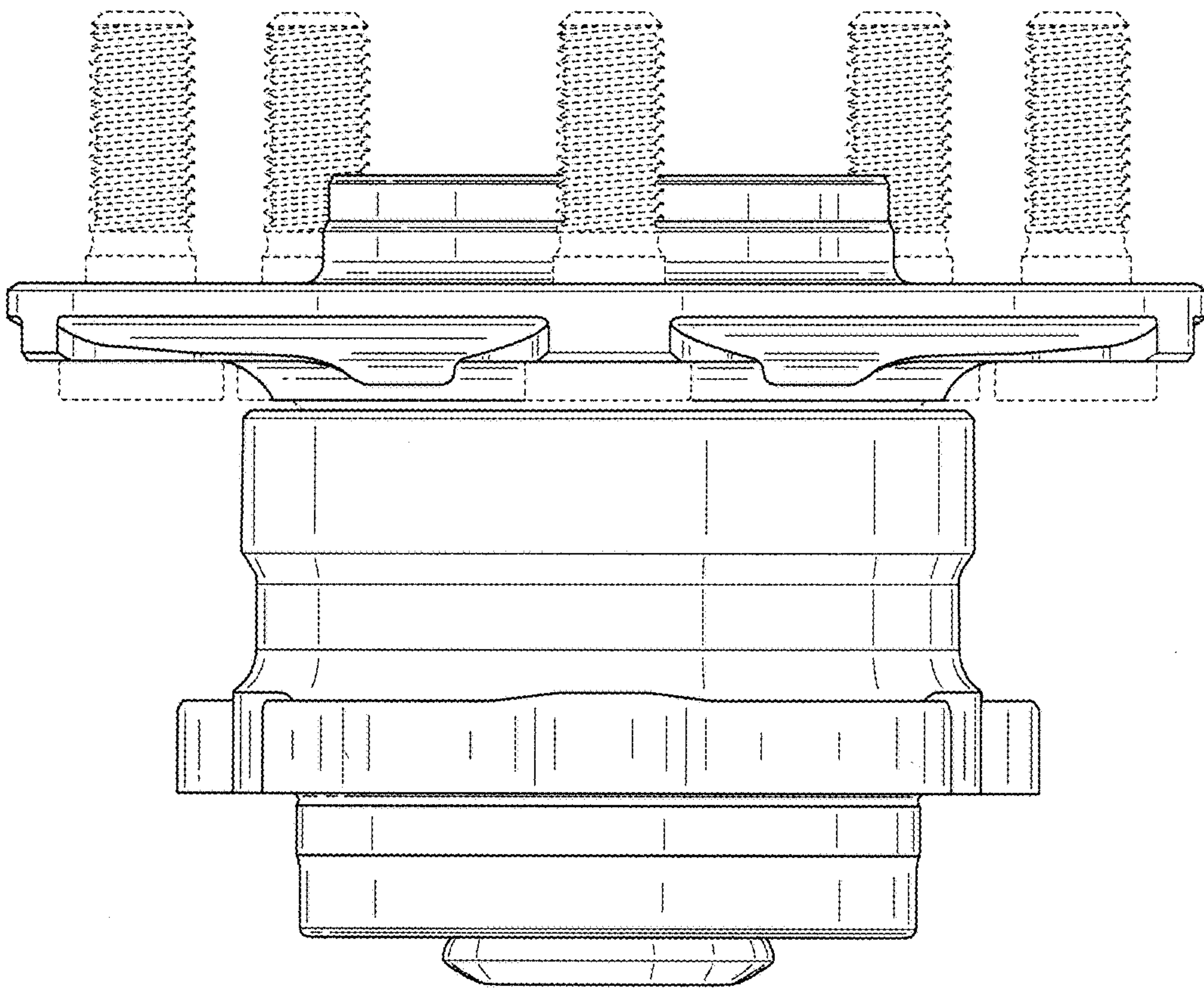


FIG. 5



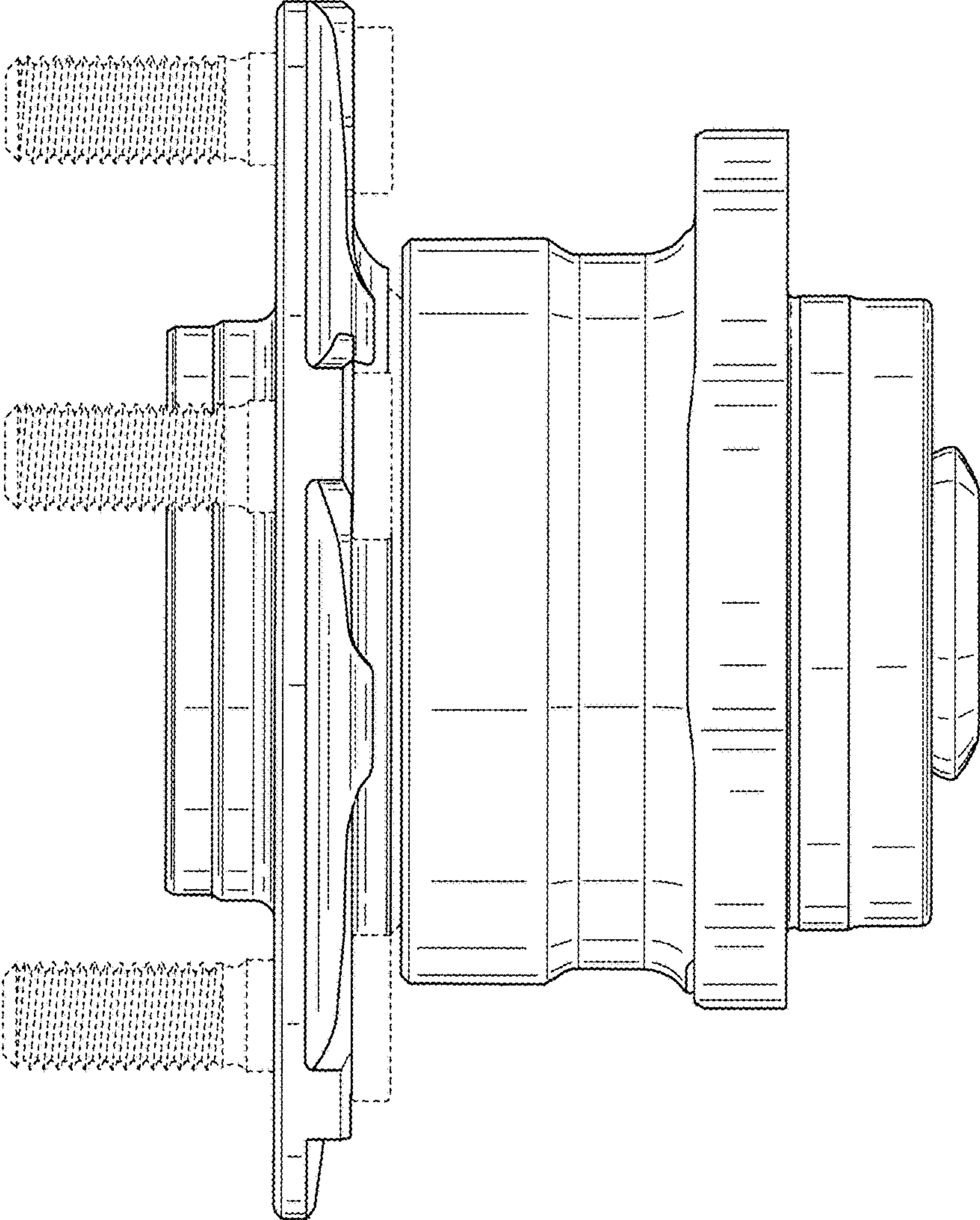


FIG. 6



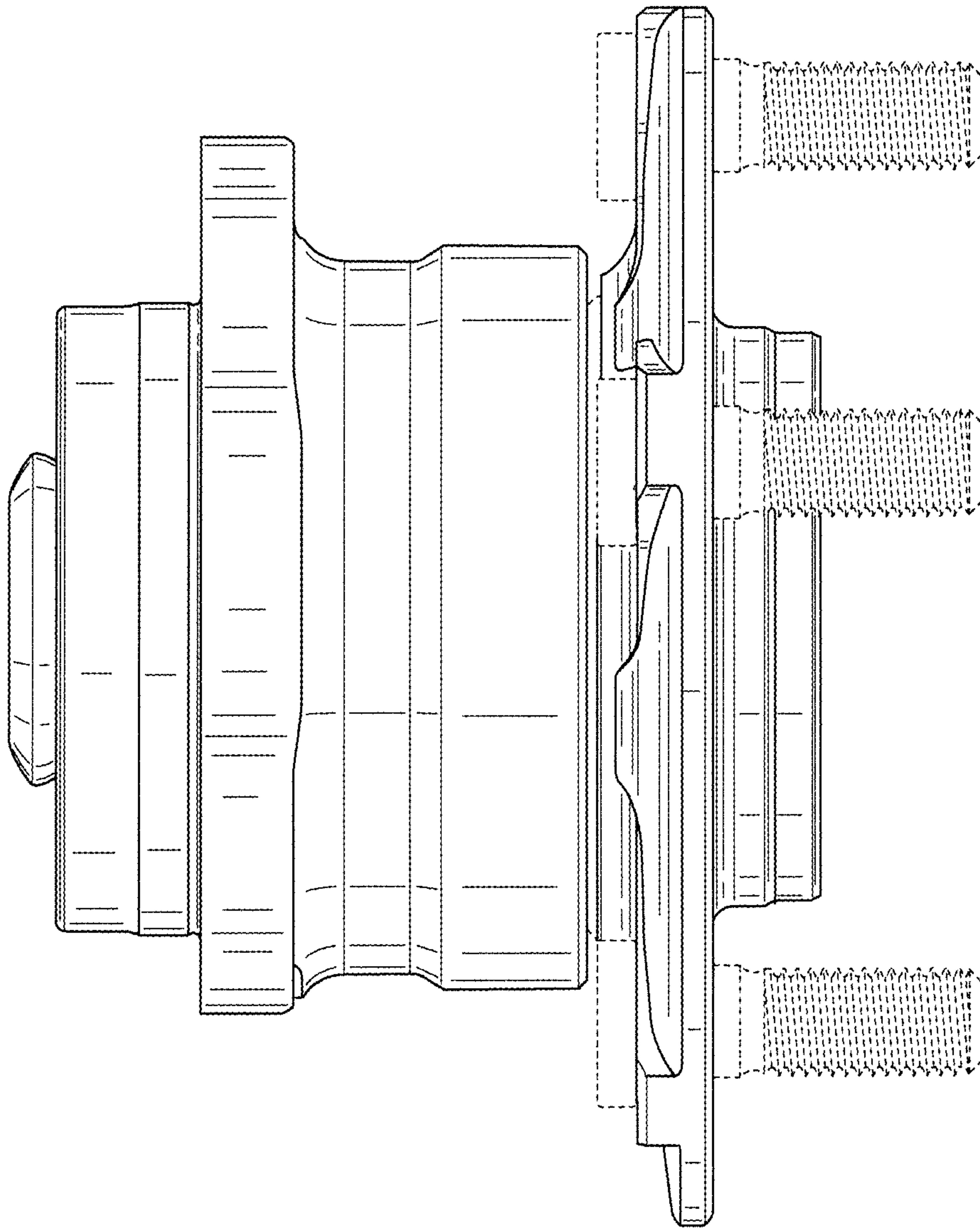


FIG. 7

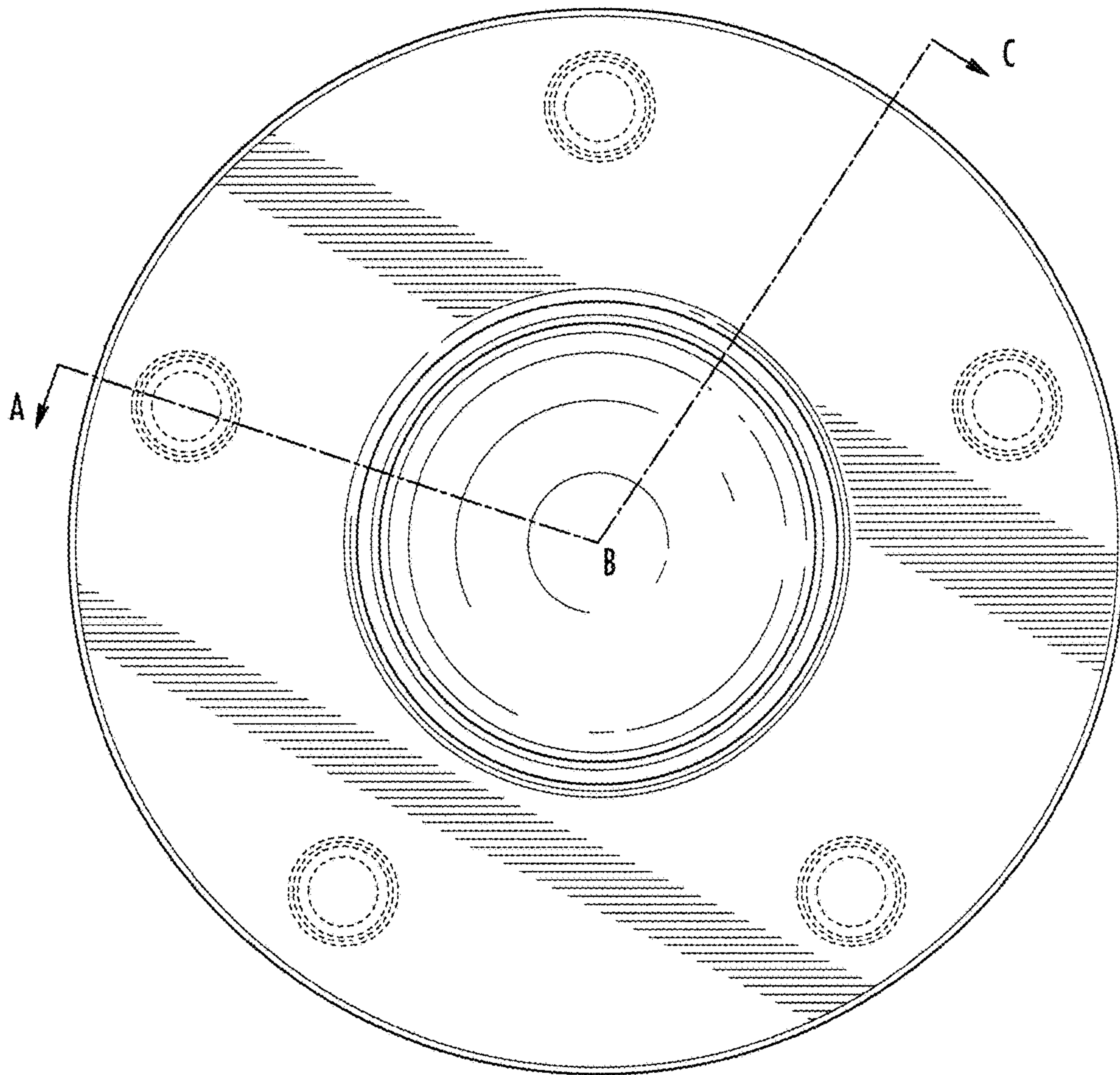


FIG. 8

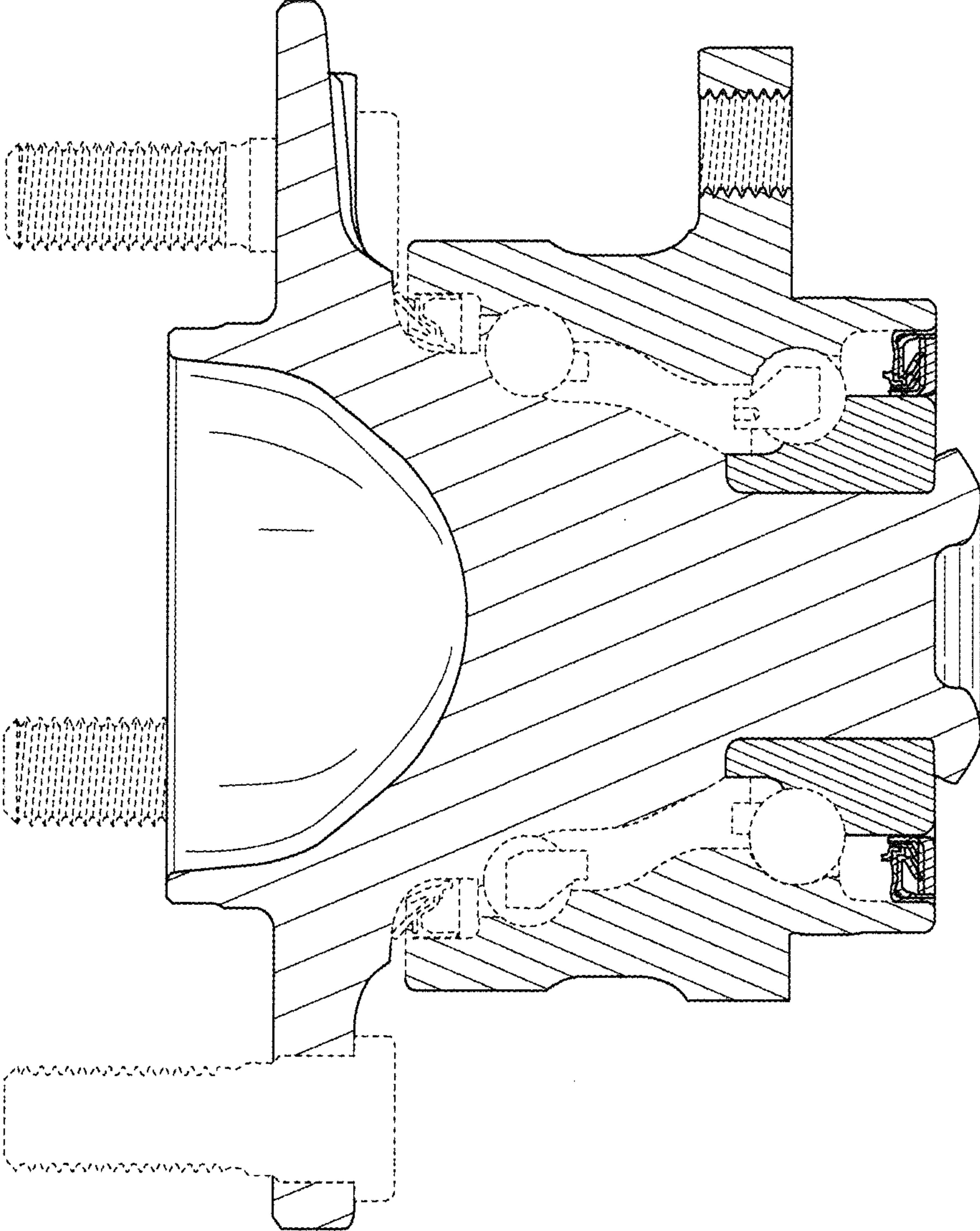


FIG. 9



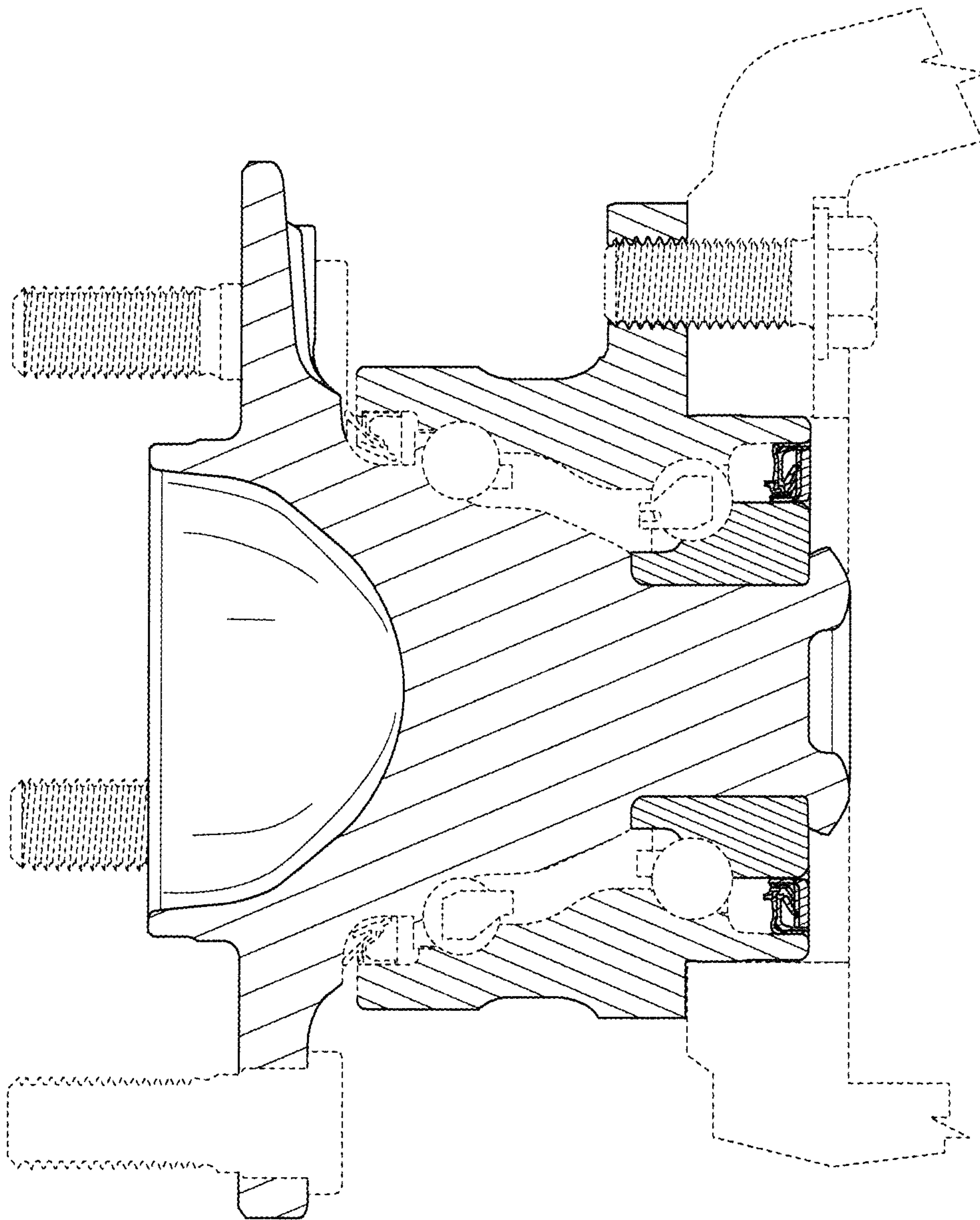


FIG. 10