



US00D817820S

(12) **United States Design Patent**
Helminiak

(10) **Patent No.:** **US D817,820 S**

(45) **Date of Patent:** **** May 15, 2018**

(54) **HANDLE BAR GRIP**

(71) Applicant: **Aimee Helminiak**, Fort Collins, CO
(US)

(72) Inventor: **Aimee Helminiak**, Fort Collins, CO
(US)

(**) Term: **15 Years**

(21) Appl. No.: **29/581,783**

(22) Filed: **Oct. 21, 2016**

(51) **LOC (11) Cl.** **12-12**

(52) **U.S. Cl.**
USPC **D12/133**

(58) **Field of Classification Search**
USPC D12/128–133; D8/303
CPC .. B62K 21/12; B62K 21/26; A61G 5/00–5/14
See application file for complete search history.

(56) **References Cited**

U.S. PATENT DOCUMENTS

- 1,324,554 A * 12/1919 Kozlowski A45B 3/00
135/66
- 3,955,728 A * 5/1976 Jackson B62J 9/003
150/108
- 4,133,285 A * 1/1979 Phillips B63H 16/04
416/74
- D533,813 S * 12/2006 Fujiwara B62J 33/00
D12/114
- D654,775 S * 2/2012 Higashi D8/303
- 9,428,241 B1 * 8/2016 Parvey B62K 21/26

- 2016/0101824 A1* 4/2016 Aymar B62K 21/26
16/436
- 2017/0001679 A1* 1/2017 Kohl B62K 21/125
- 2017/0197682 A1* 7/2017 Heder B62K 21/12

* cited by examiner

Primary Examiner — Charles Hanson

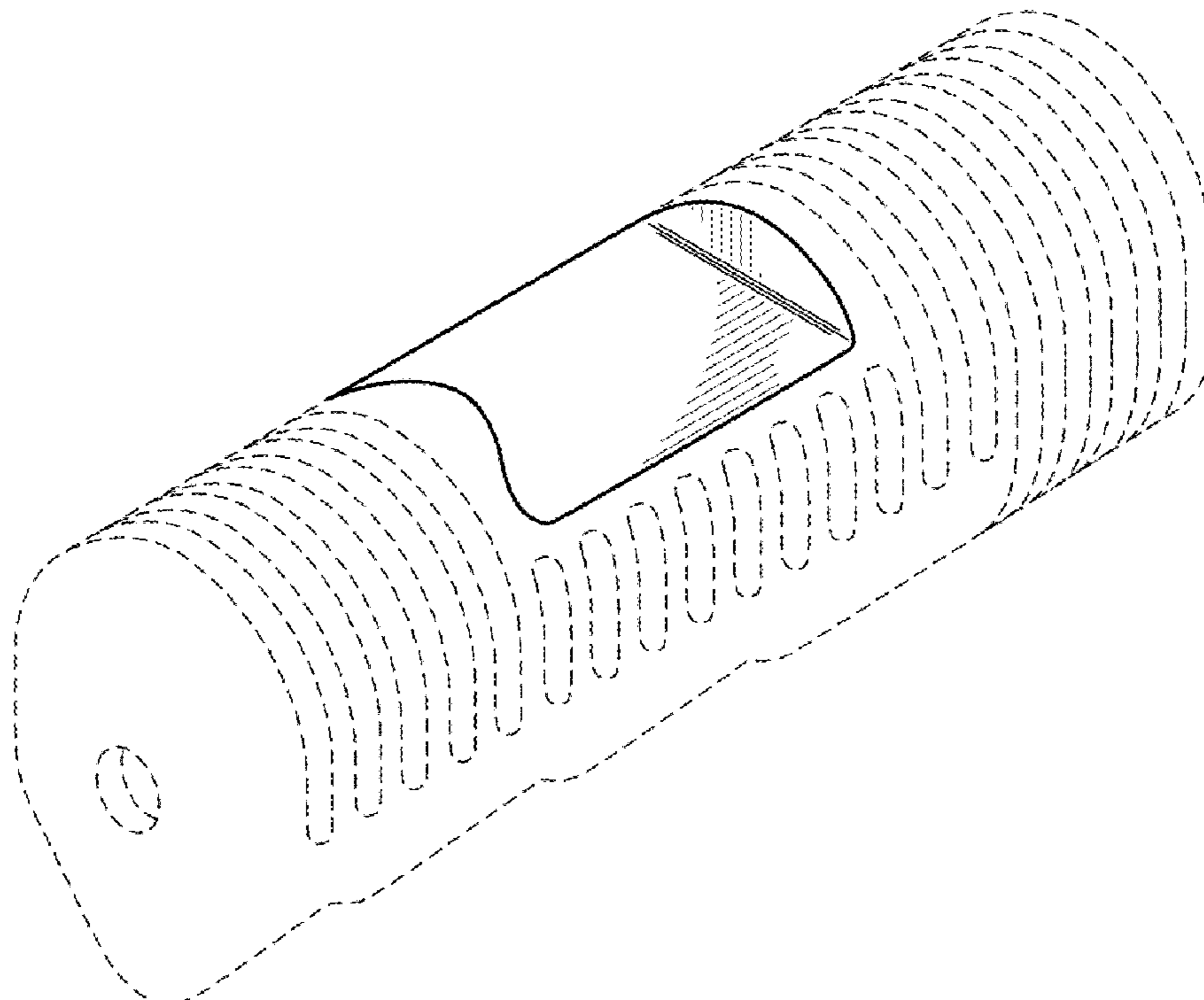
(57) **CLAIM**

The ornamental design for a handle bar grip, defining a channel, as shown and described.

DESCRIPTION

FIG. 1 is a perspective view of a handle bar grip showing my new design, side by side engaged with the strap of an article; FIG. 2 is an enlarged perspective view showing the channel defining handle bar grip of FIG. 1 in isolation; FIG. 3 is a right side view of the channel defining handle bar grip of FIG. 2 and wherein the left side view is the mirror image of the right side view; FIG. 4 is a front view of the channel defining handle bar grip of FIG. 2; FIG. 5 is a rear view of the channel defining handle bar grip of FIG. 2; FIG. 6 is a top plan view of the channel defining handle bar grip of FIG. 2; and, FIG. 7 is a bottom plan view of the channel defining handle bar grip of FIG. 2. The broken line showing of the grips, wheelchair, and tank holder is included for the purpose of illustrating environment and forms no part of the claimed design.

1 Claim, 2 Drawing Sheets



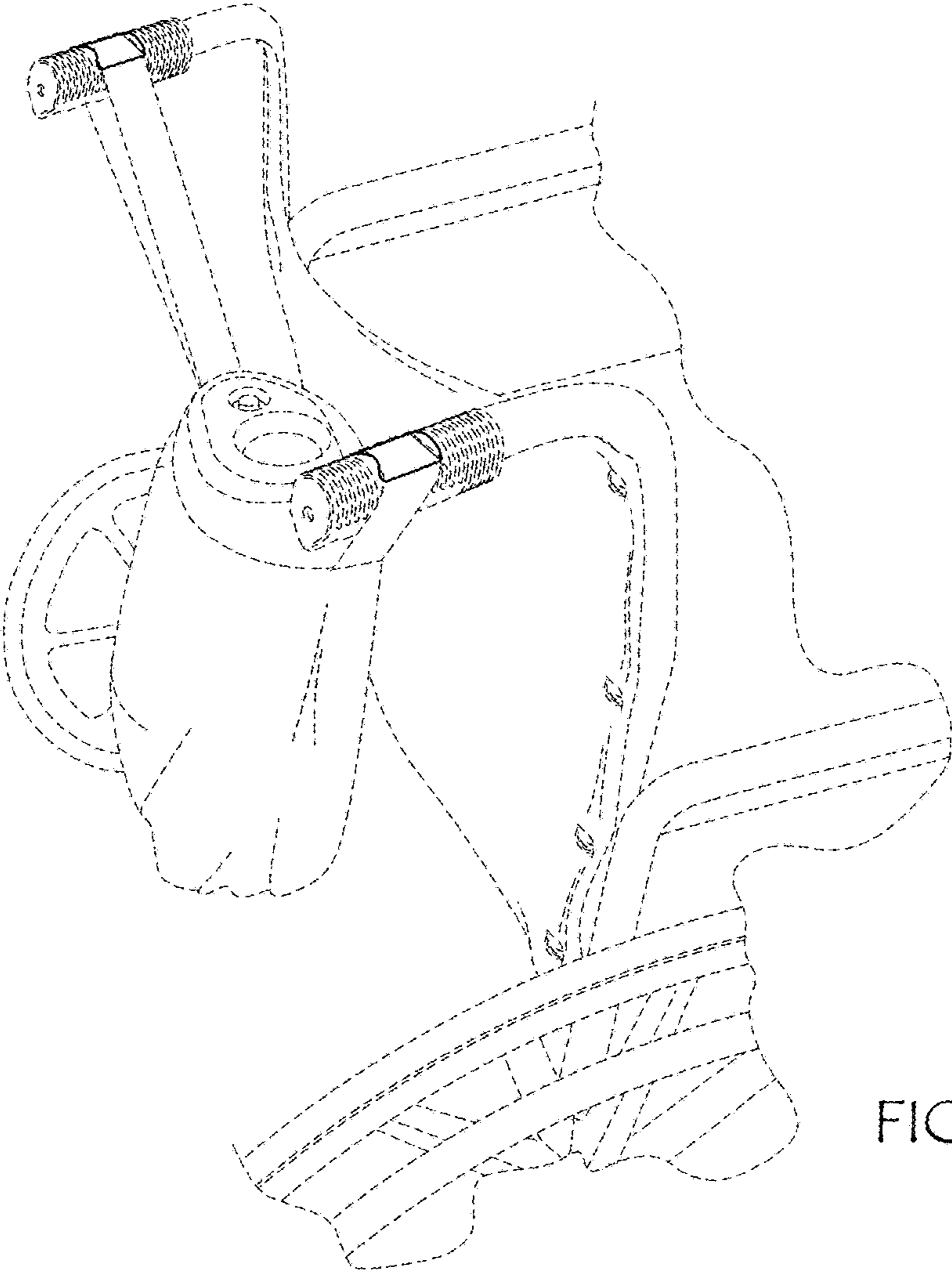


FIG. 1

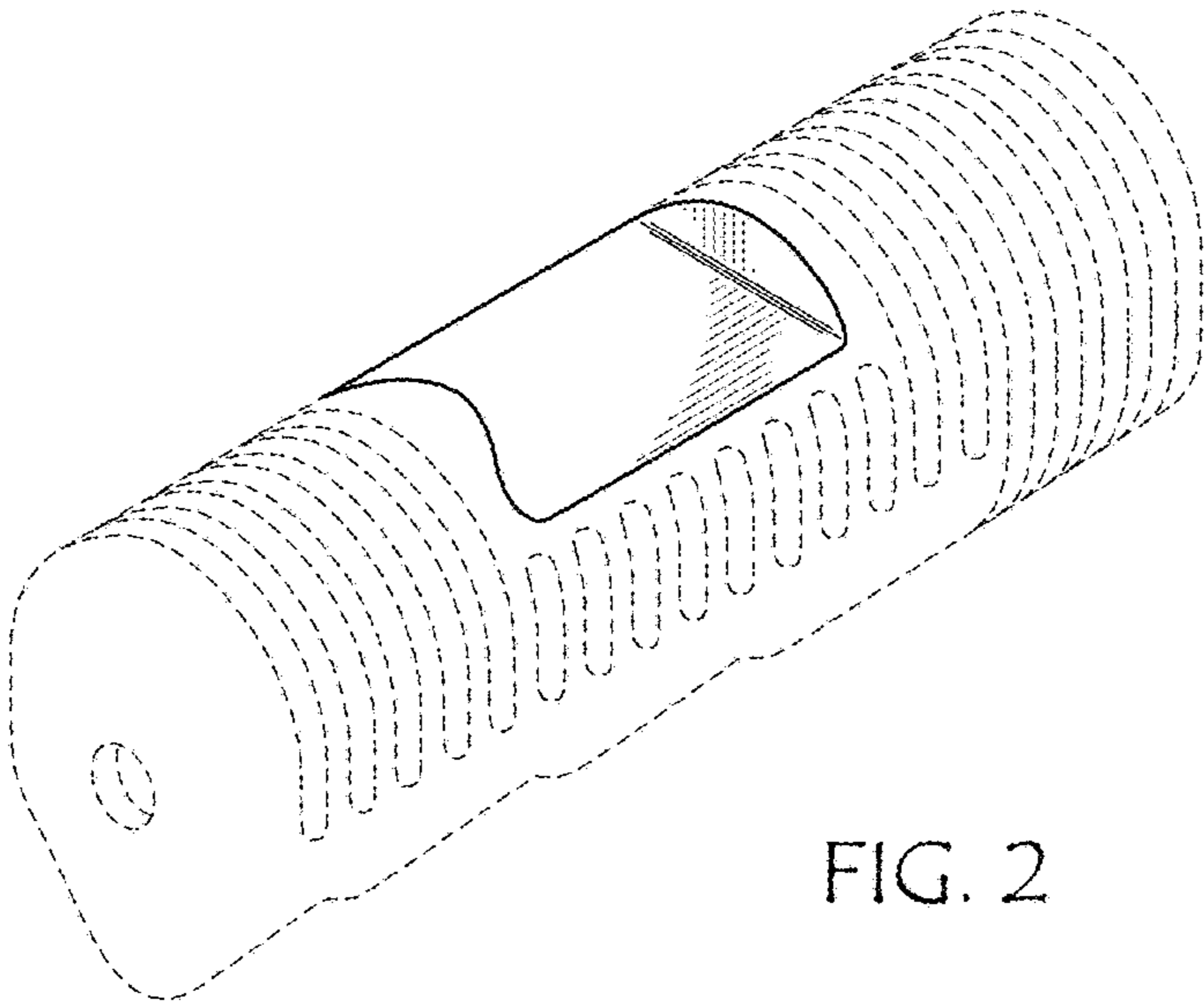


FIG. 2

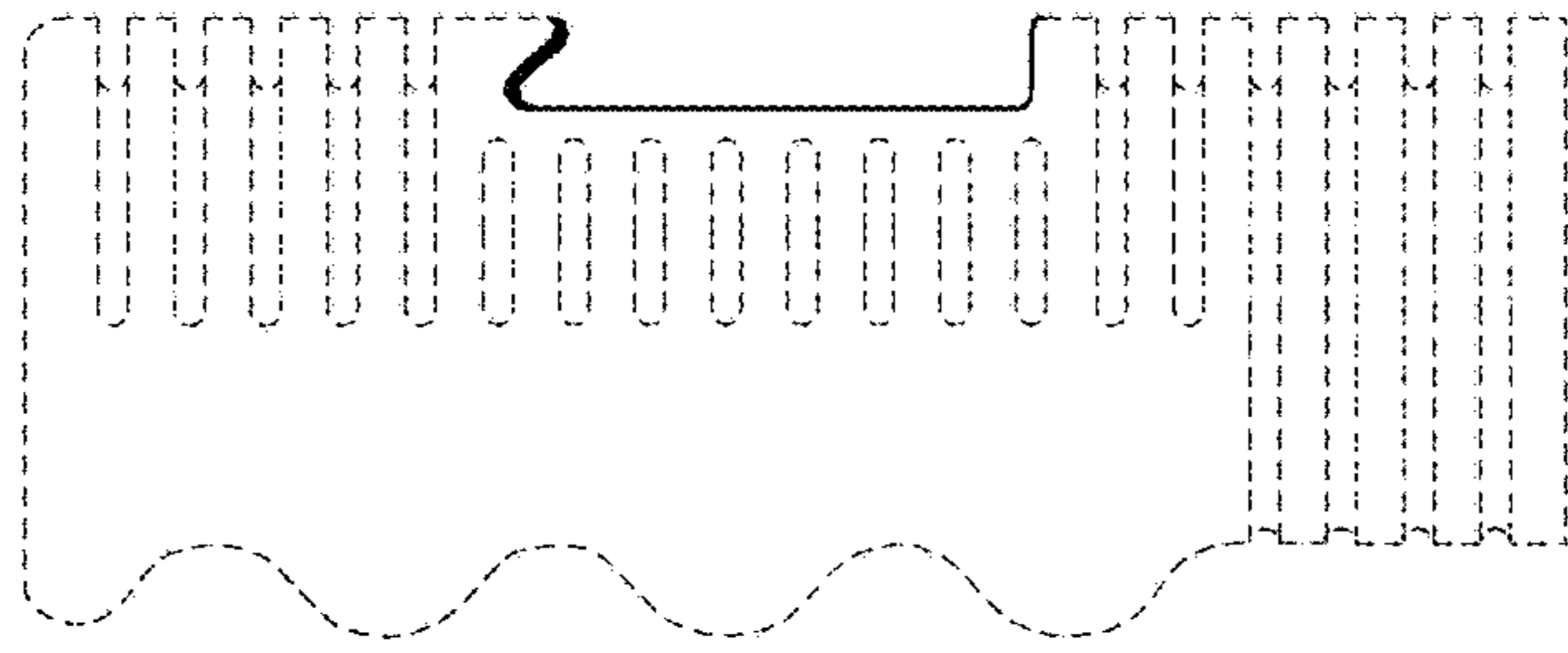


FIG. 3

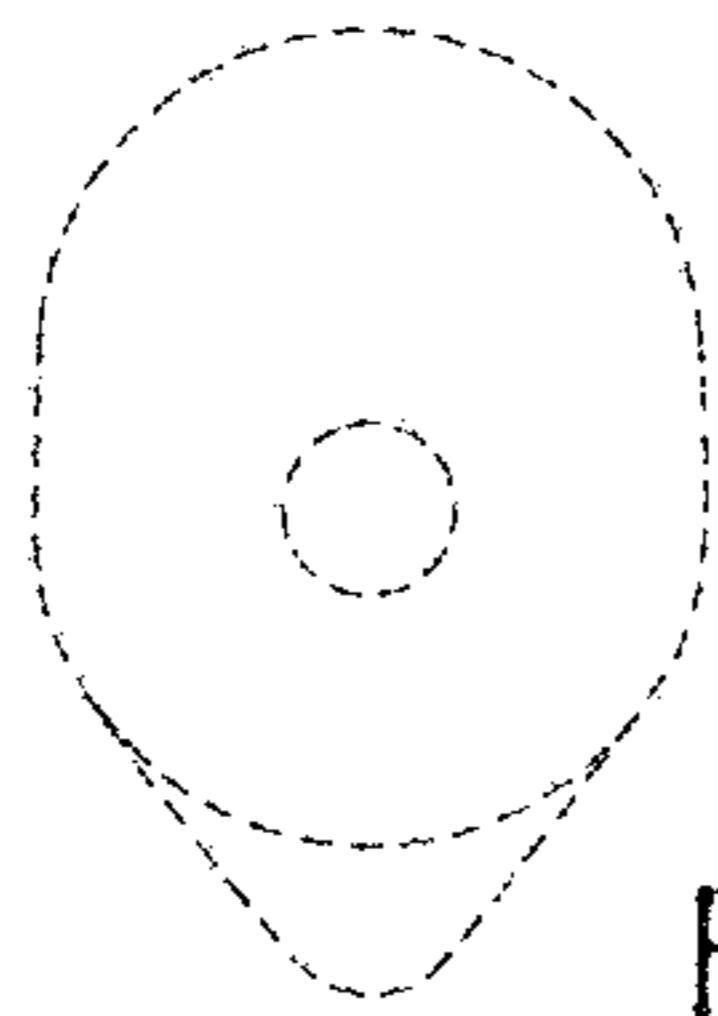


FIG. 4

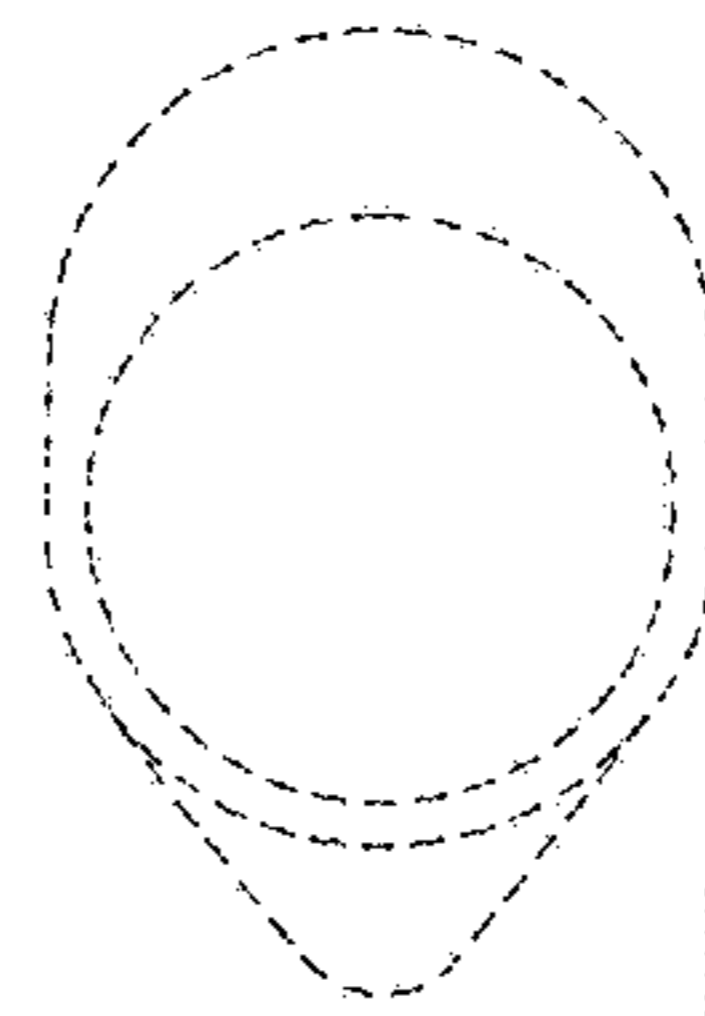


FIG. 5

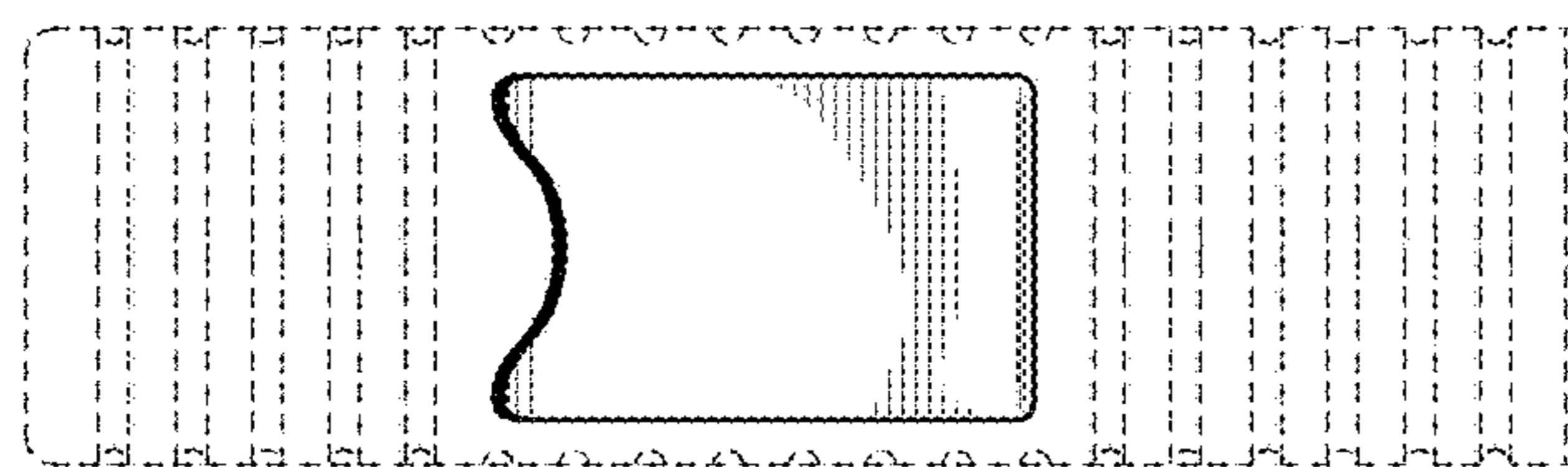


FIG. 6

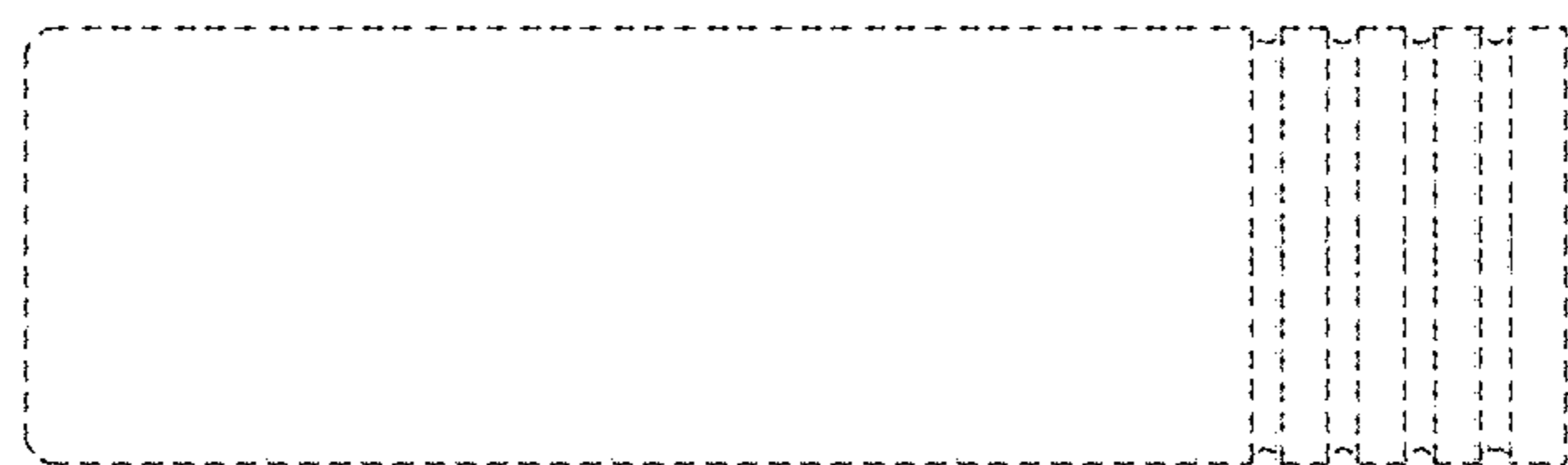


FIG. 7