



US00D817819S

(12) **United States Design Patent**
Kato

(10) **Patent No.:** **US D817,819 S**
(45) **Date of Patent:** **** May 15, 2018**

(54) **MOTOR SCOOTER**

(71) Applicant: **SUZUKI MOTOR CORPORATION,**
Shizuoka-ken (JP)

(72) Inventor: **Hidezumi Kato,** Hamamatsu (JP)

(73) Assignee: **SUZUKI MOTOR CORPORATION,**
Shizuoka-ken (JP)

(**) Term: **15 Years**

(21) Appl. No.: **29/596,027**

(22) Filed: **Mar. 3, 2017**

(30) **Foreign Application Priority Data**

Sep. 5, 2016 (JP) 2016-019033

(51) **LOC (11) Cl.** **12-11**

(52) **U.S. Cl.**
USPC **D12/110**

(58) **Field of Classification Search**
USPC D12/110, 111, 117; D21/432, 538
CPC B62K 11/00; B62K 11/02; B62K 11/04;
B62K 11/10; B62K 17/00; B62K 19/00;
B62K 2202/00

See application file for complete search history.

(56) **References Cited**

U.S. PATENT DOCUMENTS

D399,174 S	*	10/1998	Takeshita	D12/110
D443,849 S	*	6/2001	Chen	D12/110
D455,677 S	*	4/2002	Kokubu	D12/110
D488,102 S	*	4/2004	Shimokawa	D12/110
D519,061 S	*	4/2006	Matsuno	D12/110
D521,415 S	*	5/2006	Kojima	D12/110
D521,908 S	*	5/2006	Hong	D12/110
D538,204 S	*	3/2007	Tako	D12/110
D541,196 S	*	4/2007	Kokubu	D12/110
D556,093 S	*	11/2007	Tanaka	D12/110

D556,640 S	*	12/2007	Wu	D12/110
D576,921 S	*	9/2008	Tong	D12/110
D596,535 S	*	7/2009	Katagiri	D12/110
D597,893 S	*	8/2009	Hung	D12/110
D605,562 S	*	12/2009	Kitayama	D12/110
D605,564 S	*	12/2009	Hong	D12/110
D610,045 S	*	2/2010	Lambri	D12/110
D617,237 S	*	6/2010	Li	D12/110
D623,093 S	*	9/2010	Tsuji	D12/110
D627,689 S	*	11/2010	Ishiguri	D12/110
D657,289 S	*	4/2012	Tanaka	D12/110
D666,533 S	*	9/2012	Wilm	D12/110
D666,534 S	*	9/2012	Wilm	D12/110
D670,206 S	*	11/2012	Nitta	D12/110
D680,912 S	*	4/2013	Lambri	D12/110
D690,624 S	*	10/2013	Okubo	D12/110
D729,125 S	*	5/2015	Matsuzawa	D12/110
D732,437 S	*	6/2015	Yang	D12/110
D739,792 S	*	9/2015	Ishiguri	D12/110

(Continued)

Primary Examiner — Darlington Ly

(74) *Attorney, Agent, or Firm* — Stuebaker & Brackett
PC

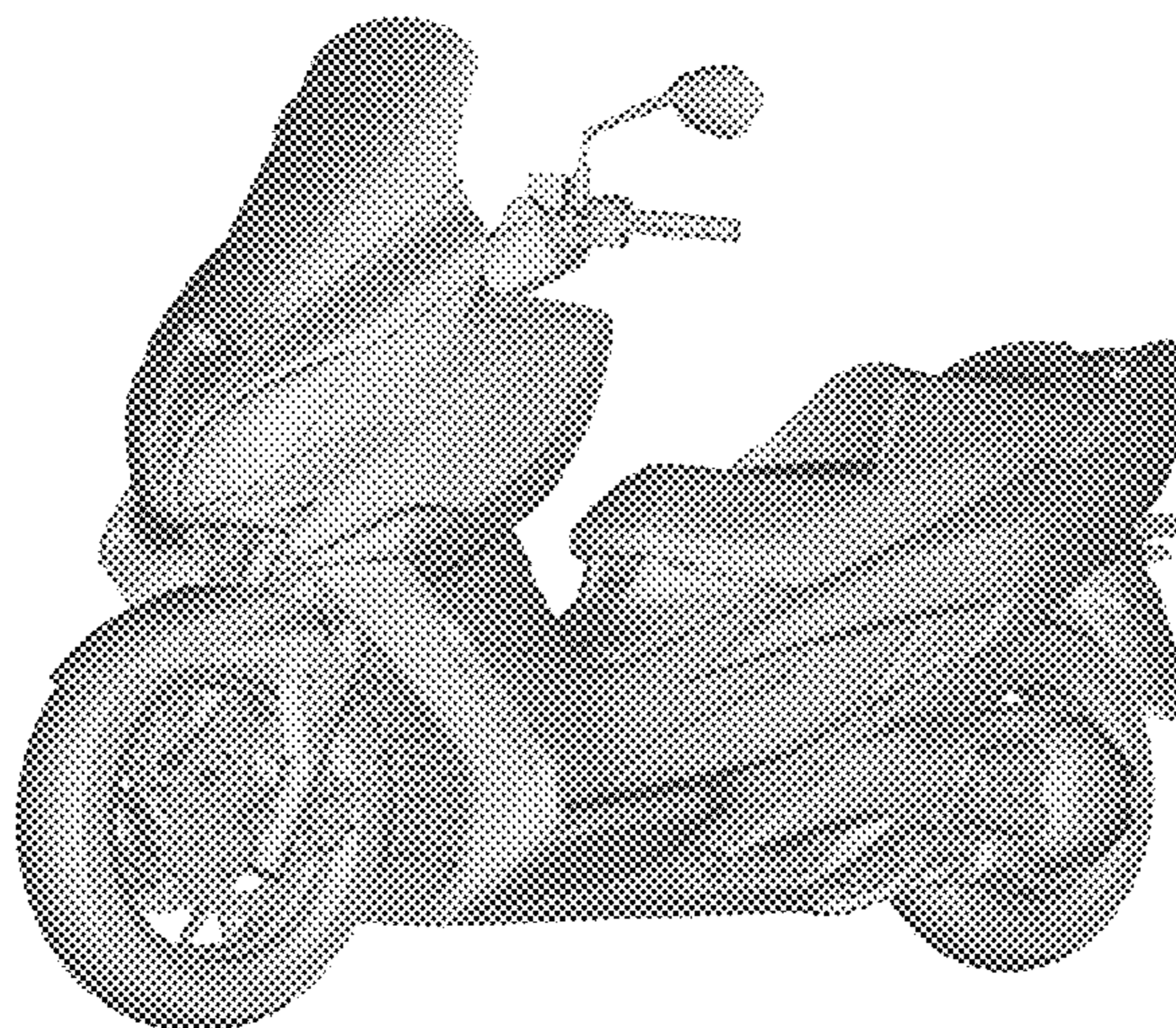
(57) **CLAIM**

The ornamental design for a motor scooter, as shown and described.

DESCRIPTION

FIG. 1 is a front elevation view of a motor scooter showing my new design;
FIG. 2 is a rear elevation view thereof;
FIG. 3 is a top plan view thereof;
FIG. 4 is a bottom plan view thereof;
FIG. 5 is a left side elevation view thereof;
FIG. 6 is a right side elevation view thereof;
FIG. 7 is a front and left side perspective view thereof;
FIG. 8 is a rear and left side perspective view thereof;
FIG. 9 is a front and right side perspective view thereof; and,
FIG. 10 is a rear and right side perspective view thereof.

1 Claim, 6 Drawing Sheets



(56)

References Cited

U.S. PATENT DOCUMENTS

RE45,835 E *	1/2016	Kohinata	D12/110
D774,960 S *	12/2016	Nishimoto	D12/110
D789,835 S *	6/2017	Kottmann	D12/110
D793,286 S *	8/2017	Chuang	D12/110
9,902,313 B2 *	2/2018	Taguma	B60Q 1/2661
2011/0074183 A1 *	3/2011	Kanezuka	B62J 17/00 296/193.08

* cited by examiner

FIG.1

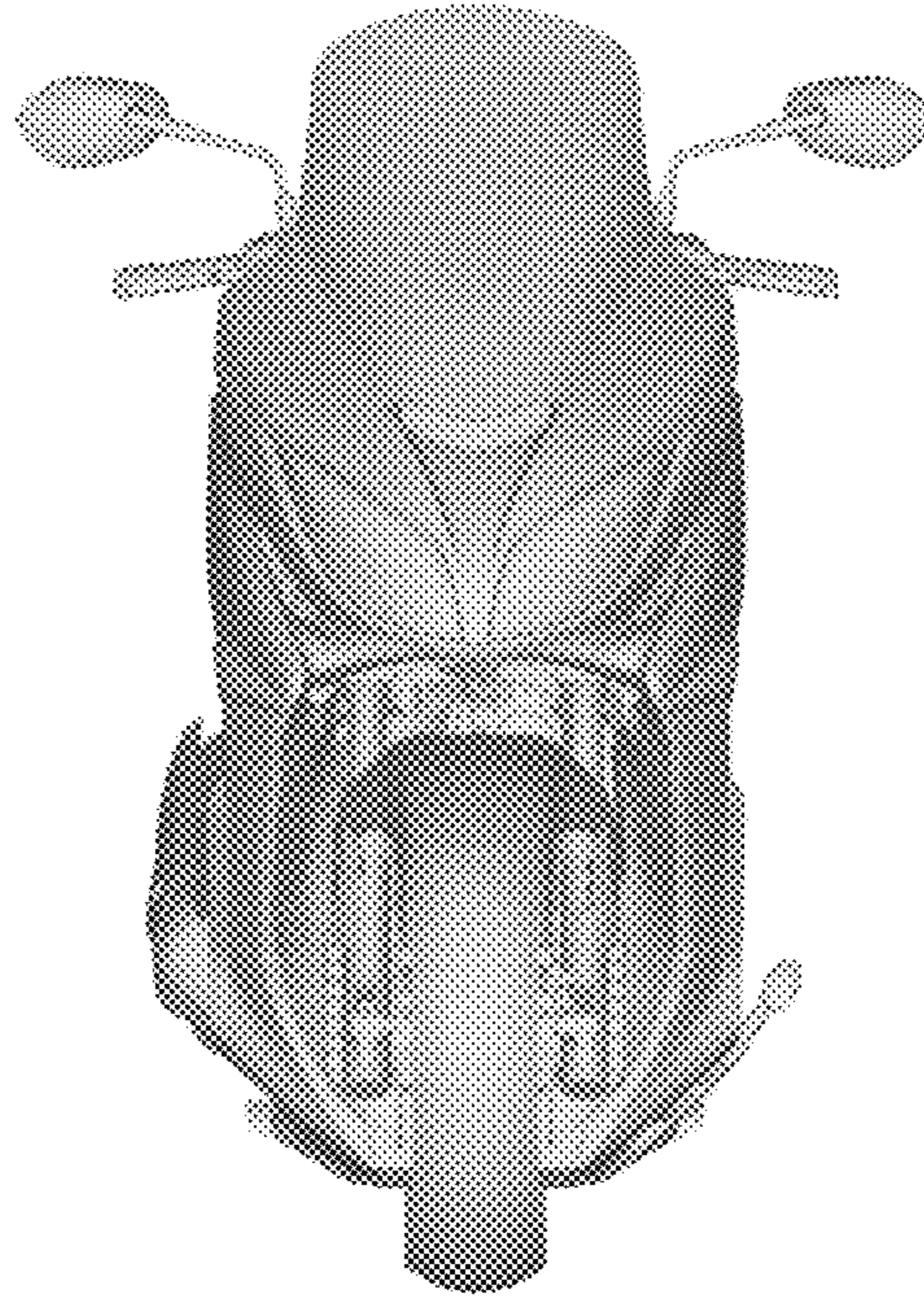


FIG.2

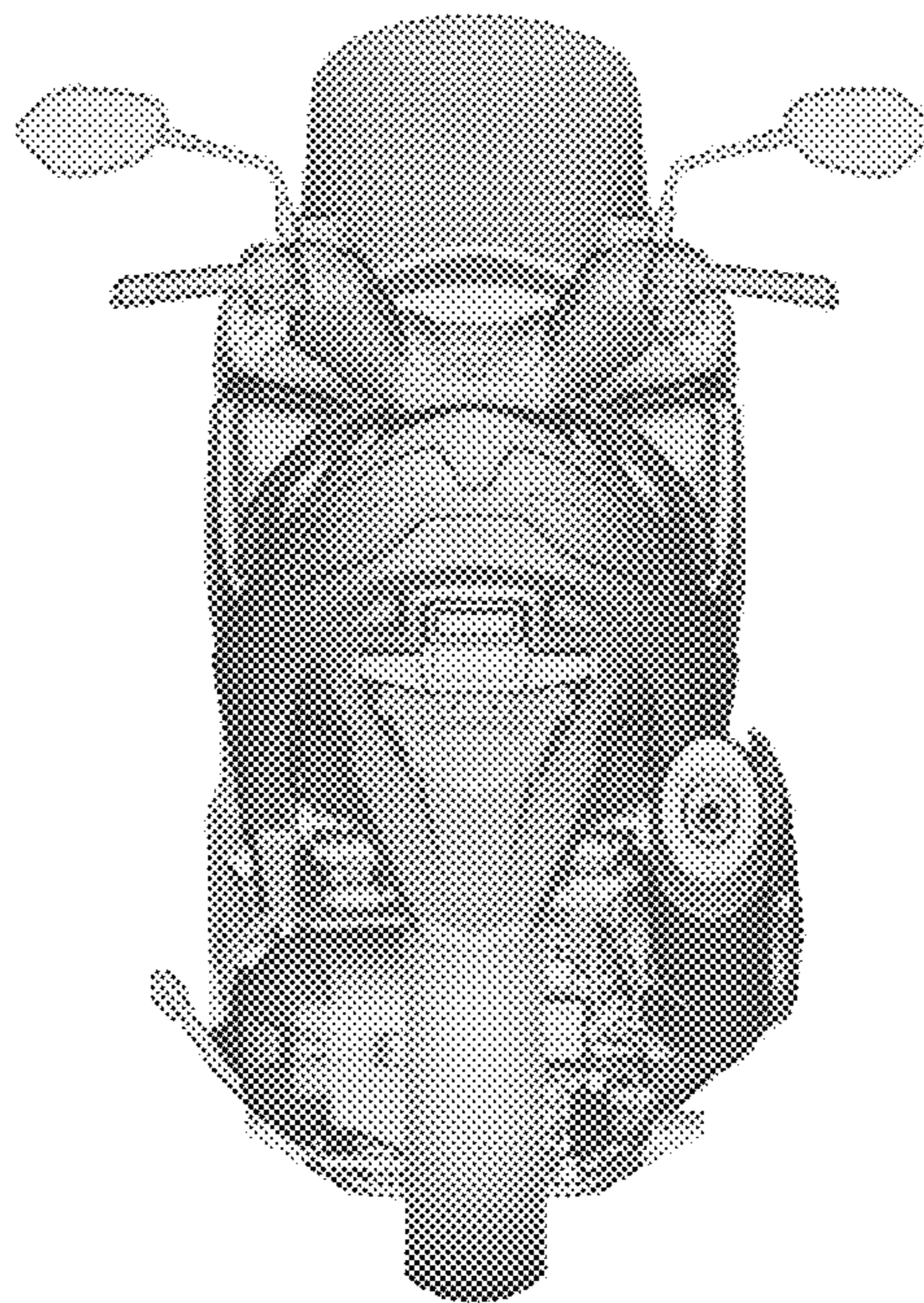


FIG.3

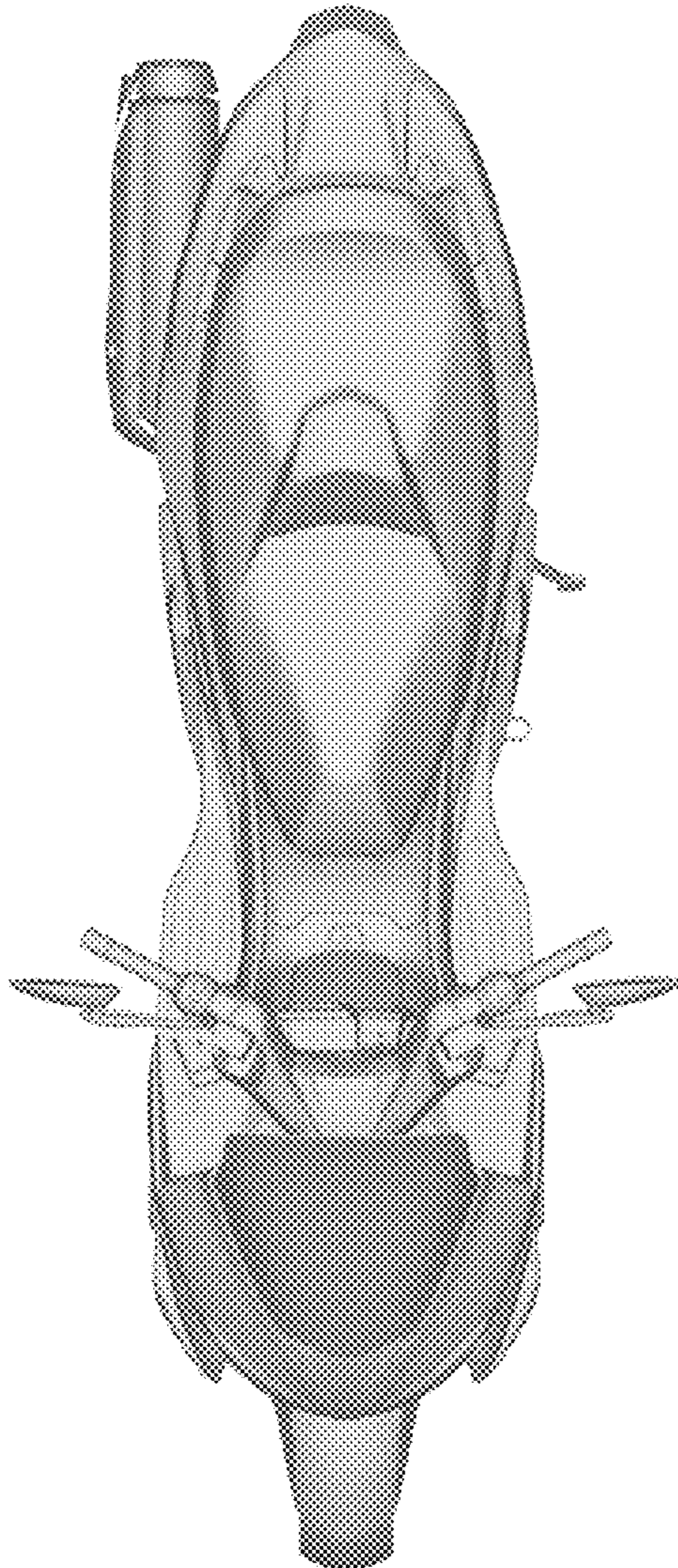


FIG.4

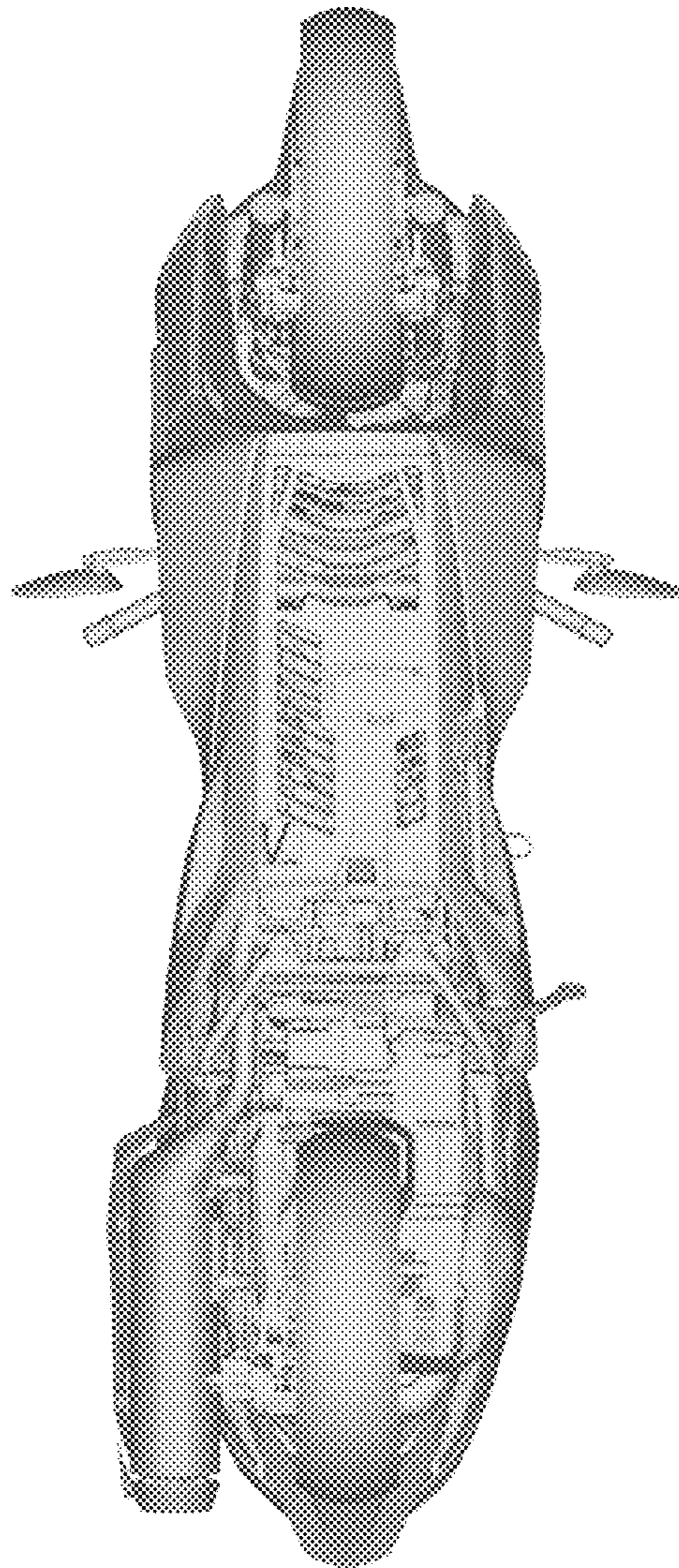


FIG.5

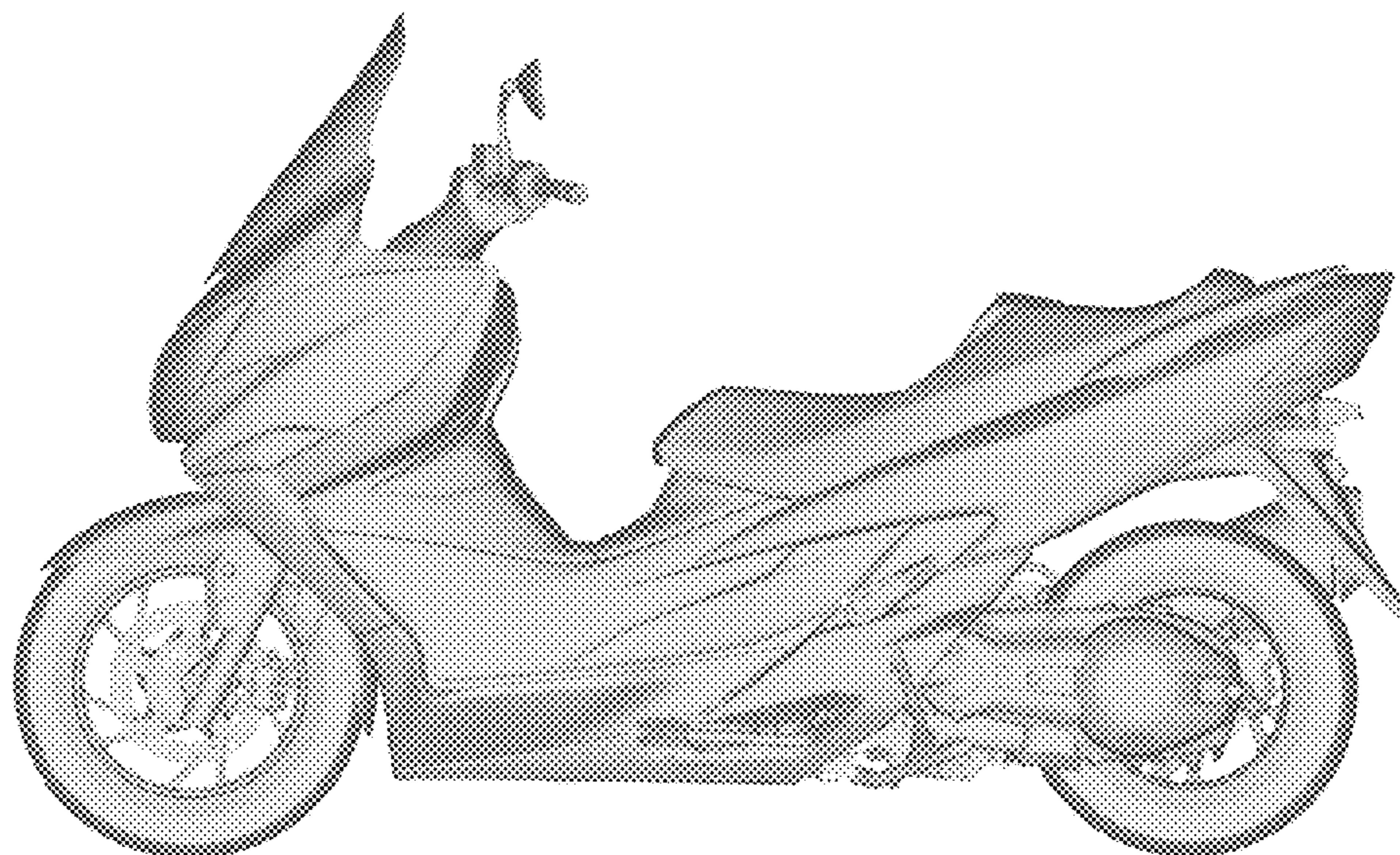


FIG.6

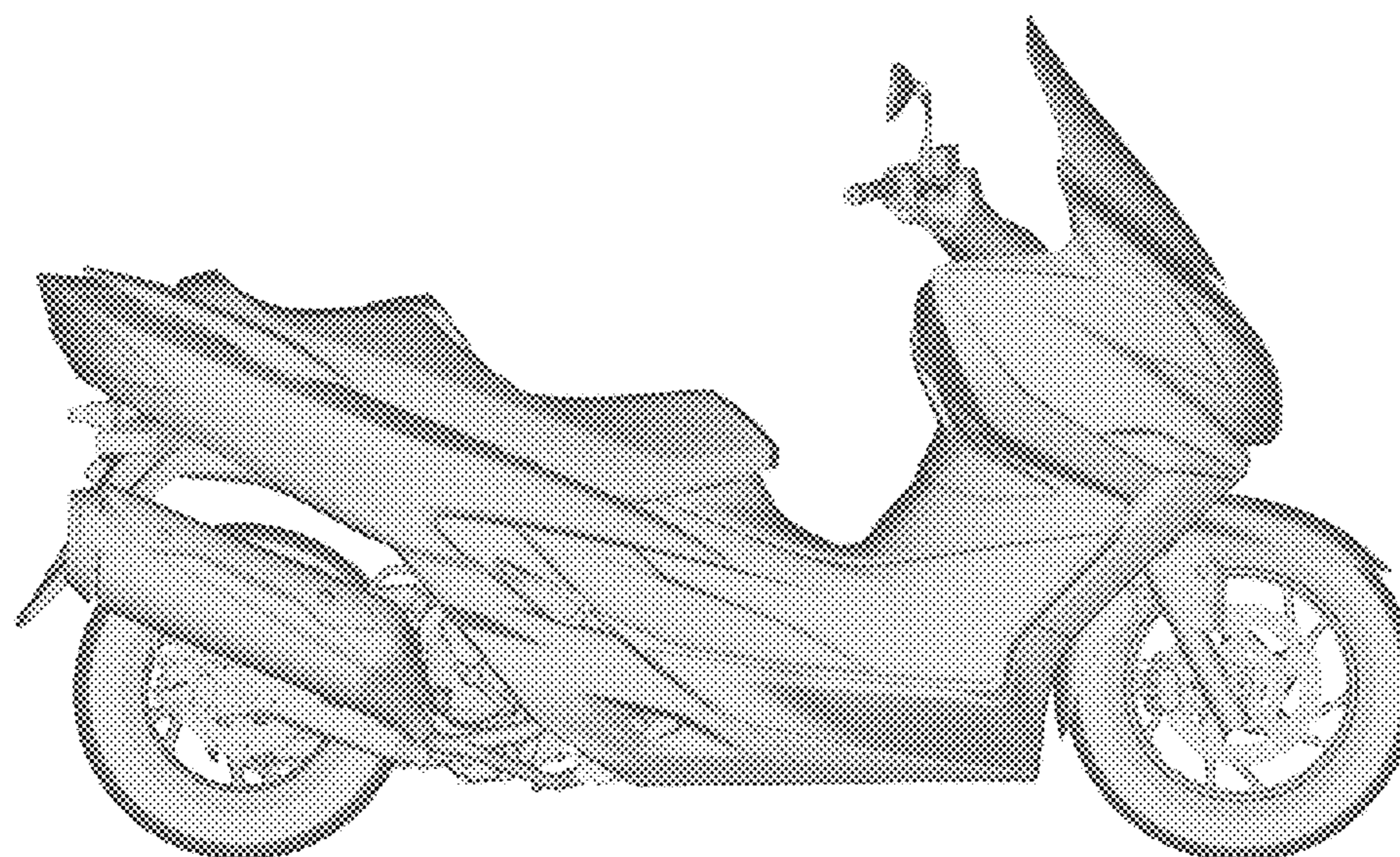


FIG.7

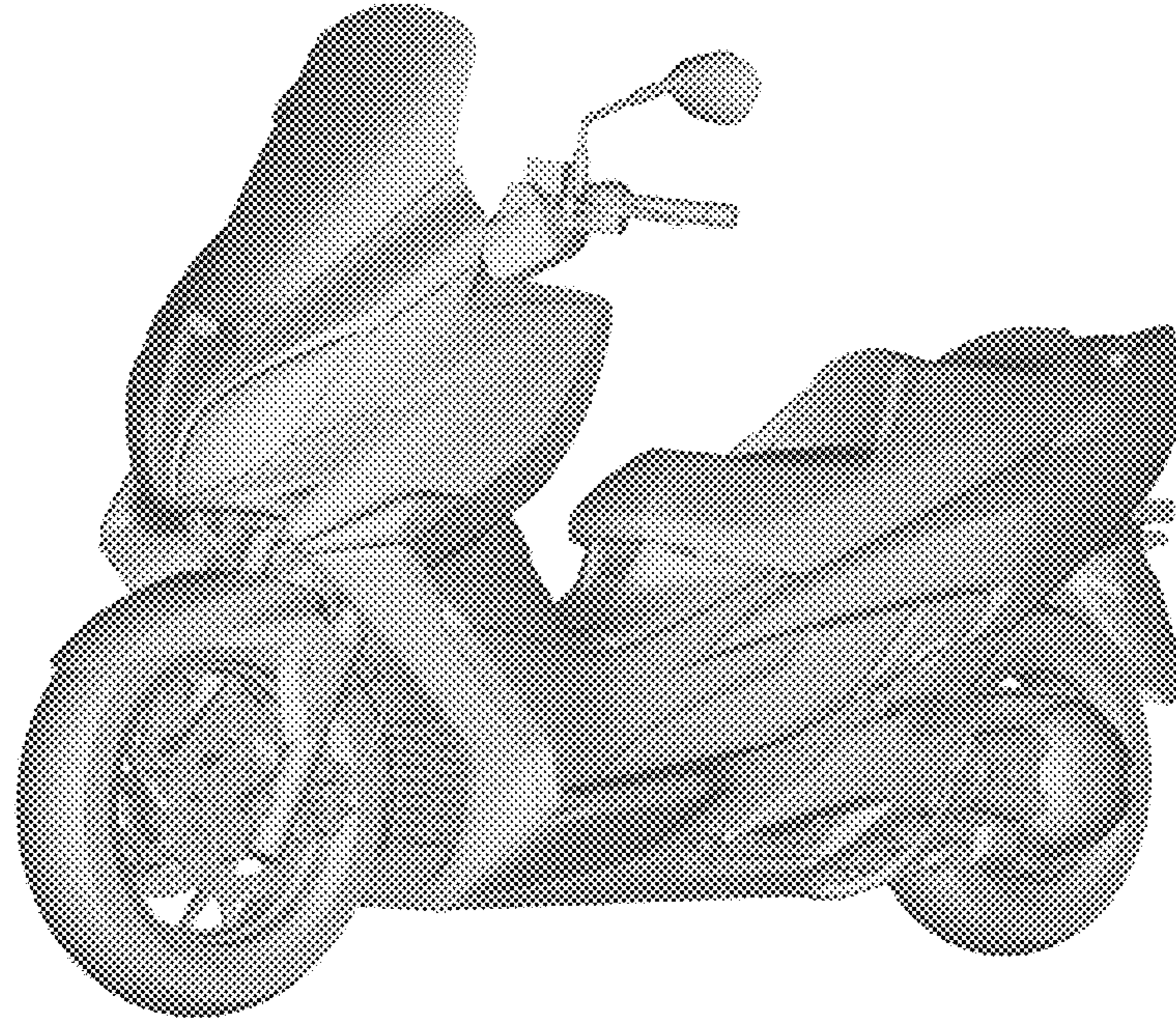


FIG.8

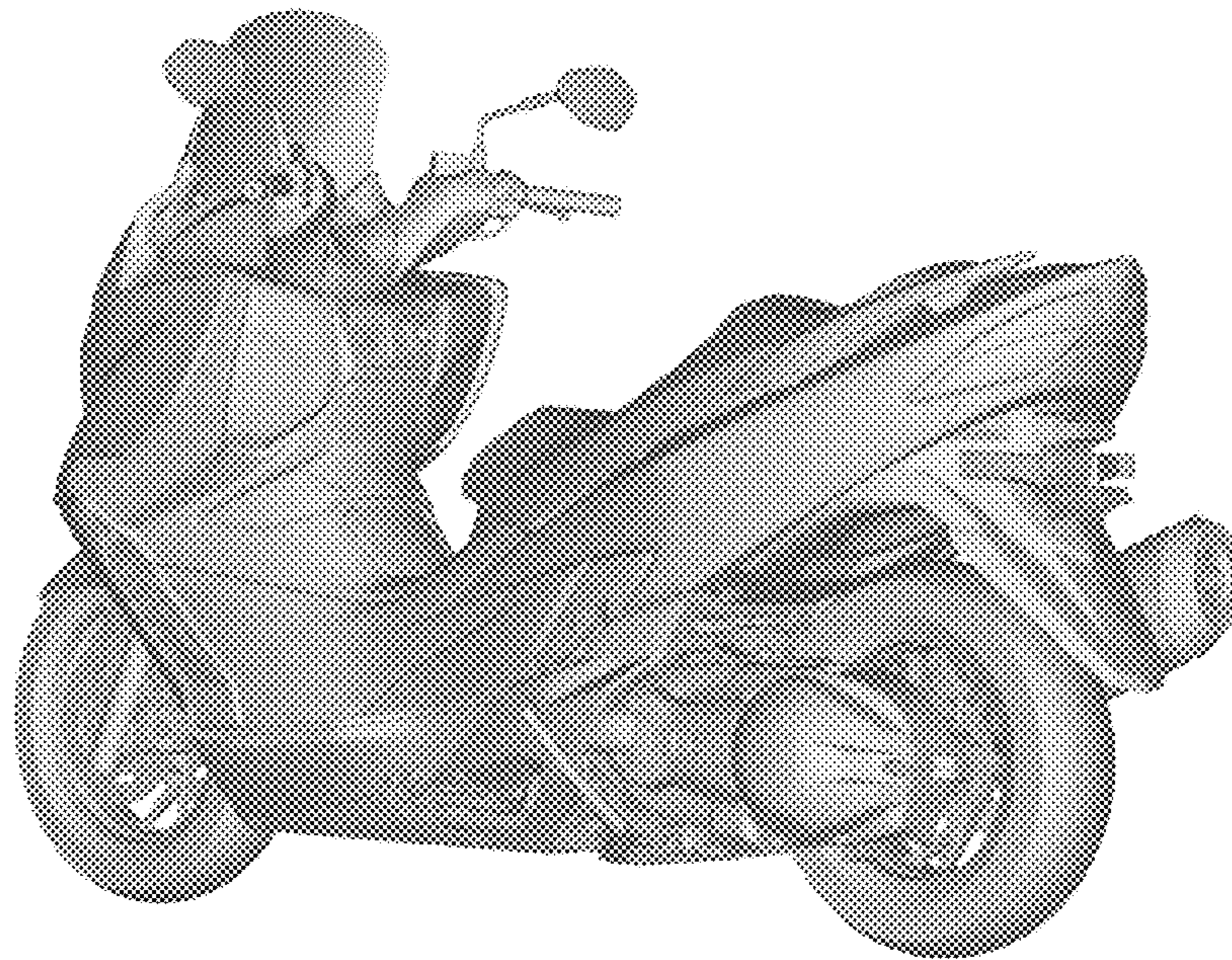


FIG.9

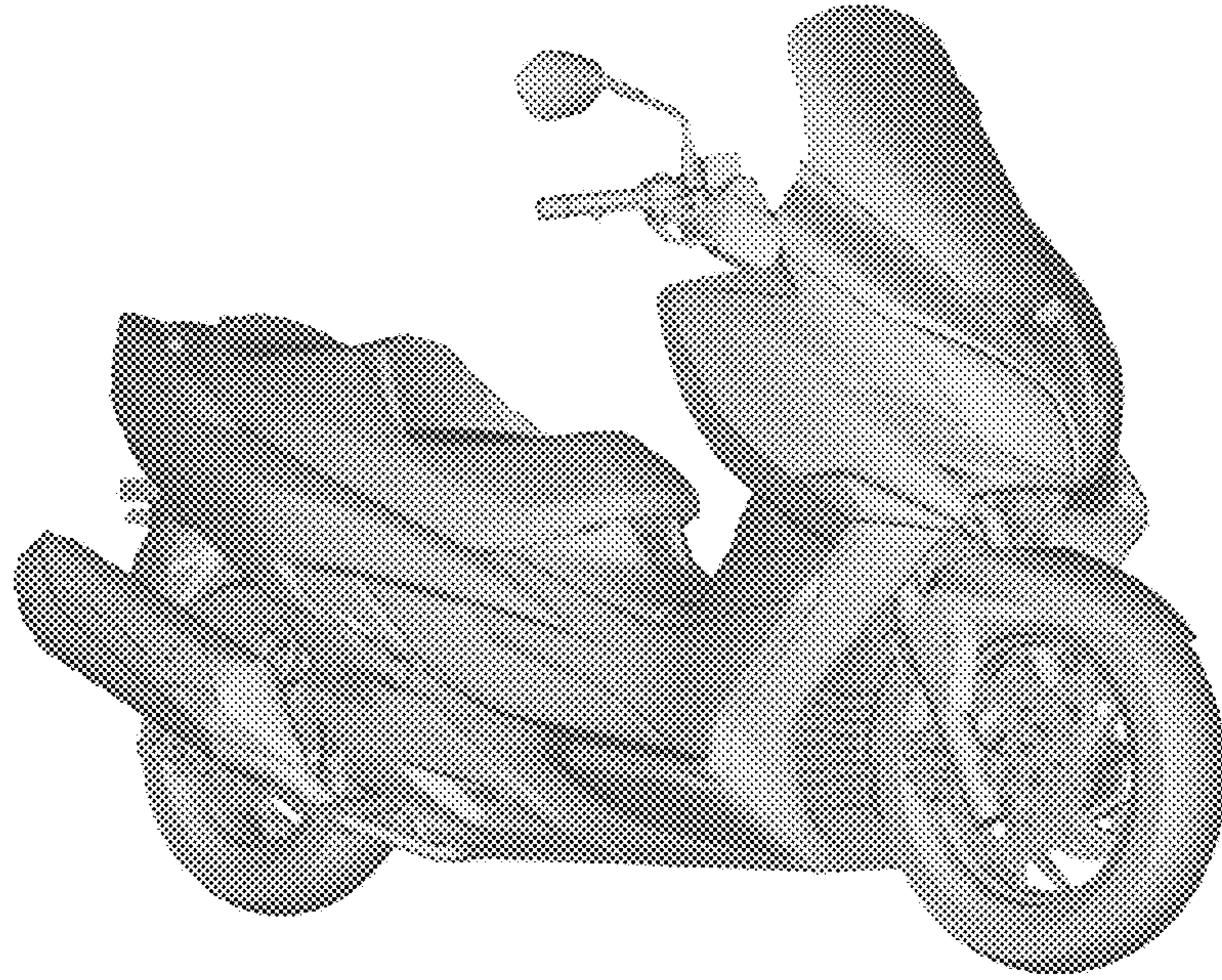


FIG.10

