



US00D817818S

(12) **United States Design Patent**
Iimura

(10) **Patent No.:** **US D817,818 S**

(45) **Date of Patent:** **** May 15, 2018**

(54) **MOTORCYCLE**

(71) Applicant: **Takeshi Iimura**, Tokyo-to (JP)

(72) Inventor: **Takeshi Iimura**, Tokyo-to (JP)

(73) Assignee: **YAMAHA HATSUDOKI
KABUSHIKI KAISHA (JP)**

(**) Term: **15 Years**

(21) Appl. No.: **29/579,457**

(22) Filed: **Sep. 30, 2016**

(30) **Foreign Application Priority Data**

Mar. 31, 2016 (JP) 2016-007091

(51) **LOC (11) Cl.** **12-11**

(52) **U.S. Cl.**
USPC **D12/110**

(58) **Field of Classification Search**

USPC D12/110, 111, 112, 114, 117, 119

CPC ... B62K 3/00; B62K 3/02; B62K 5/00; B62K
5/003; B62K 5/007; B62K 5/01; B62K

11/00; B62K 11/02; B62K 11/04; B62K

15/00; B62K 2202/00; F02M 35/162

See application file for complete search history.

(56) **References Cited**

U.S. PATENT DOCUMENTS

D526,249 S * 8/2006 Tanaka D12/110
D594,784 S * 6/2009 Ichihara D12/110

D609,609 S * 2/2010 Hayashi D12/110
D609,610 S * 2/2010 Inose D12/110
D621,301 S * 8/2010 Hayashi D12/110
D632,226 S * 2/2011 Miyata D12/110
D640,173 S * 6/2011 Oyanagi D12/110
D665,706 S * 8/2012 Oyanagi D12/110
D685,682 S * 7/2013 Matsumura D12/110
D738,789 S * 9/2015 Inose D12/110
D792,287 S * 7/2017 Kobayashi D12/110
2013/0313034 A1 * 11/2013 Matsushima B62K 11/00
180/219
2015/0090513 A1 * 4/2015 Tani F02M 35/162
180/227

* cited by examiner

Primary Examiner — Karen S Acker

Assistant Examiner — Jerry Shiuan-Hua Hsu

(74) *Attorney, Agent, or Firm* — Ostrolenk Faber LLP

(57) **CLAIM**

The ornamental design for a motorcycle, as shown.

DESCRIPTION

FIG. 1 is a left side, front, perspective view of a motorcycle showing my new design;

FIG. 2 is a right side, rear, perspective view thereof;

FIG. 3 is a left side view thereof;

FIG. 4 is a right side view thereof;

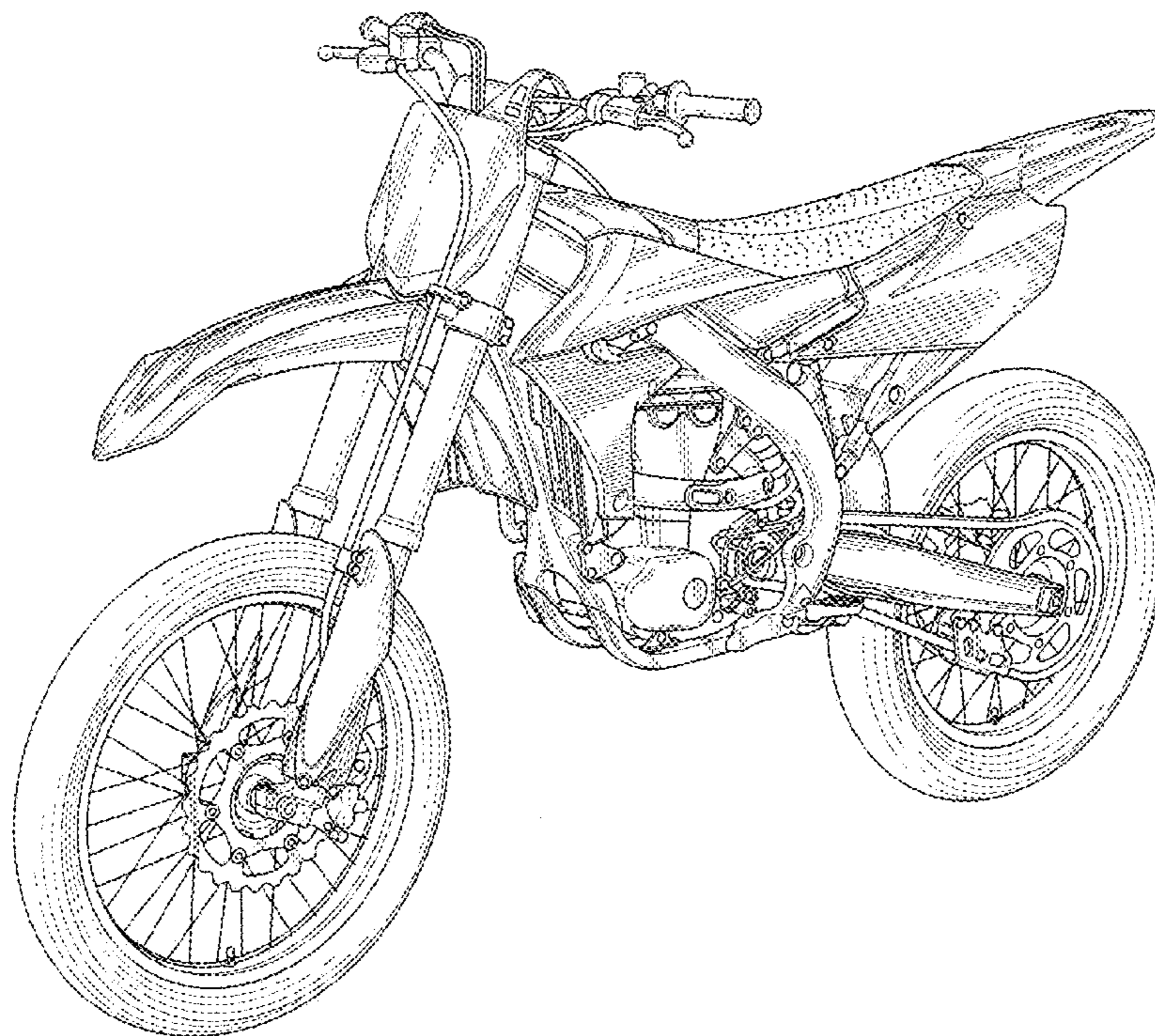
FIG. 5 is a front view thereof;

FIG. 6 is a rear view thereof;

FIG. 7 is a top view thereof; and,

FIG. 8 is a bottom view thereof.

1 Claim, 8 Drawing Sheets



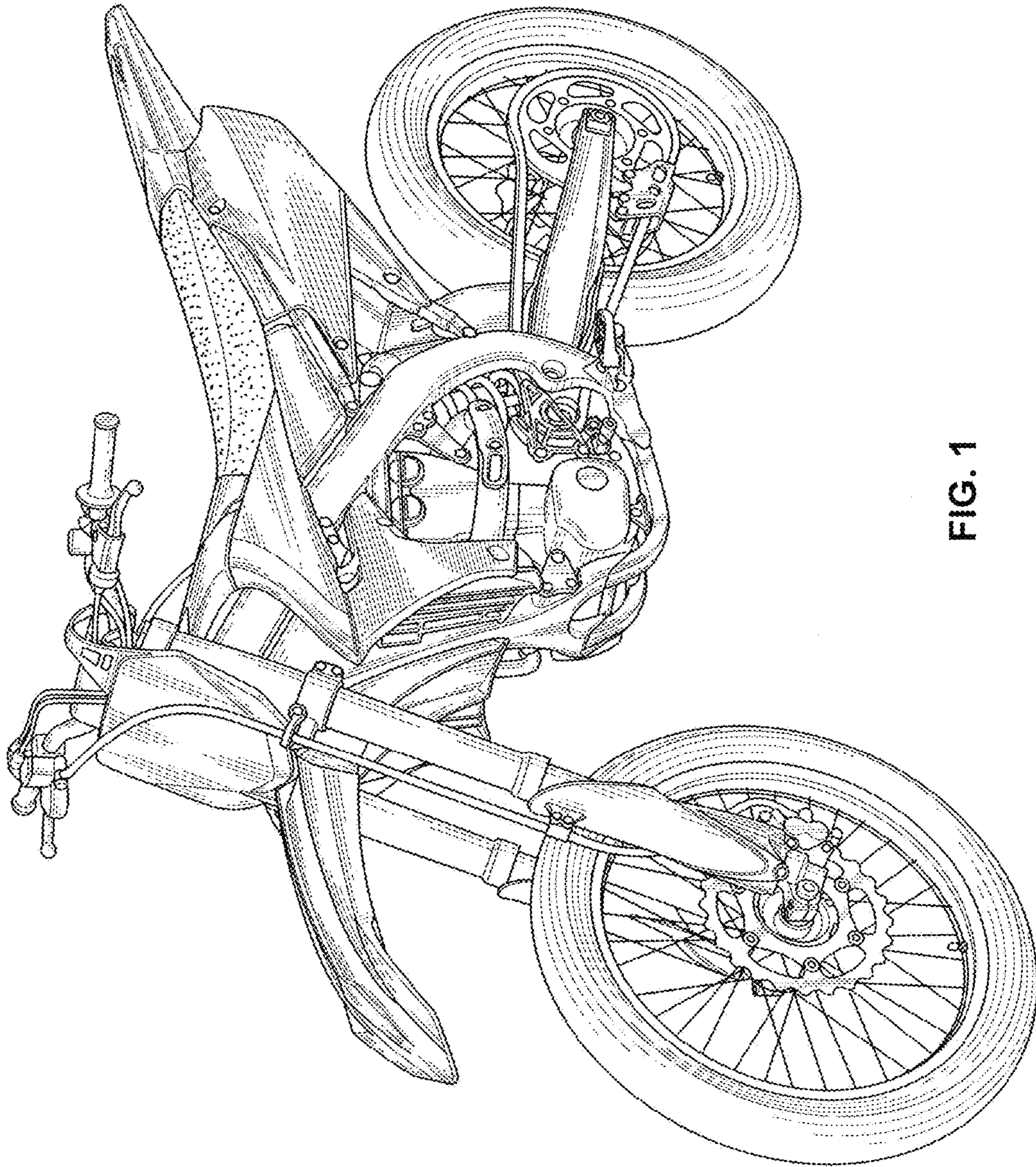


FIG. 1

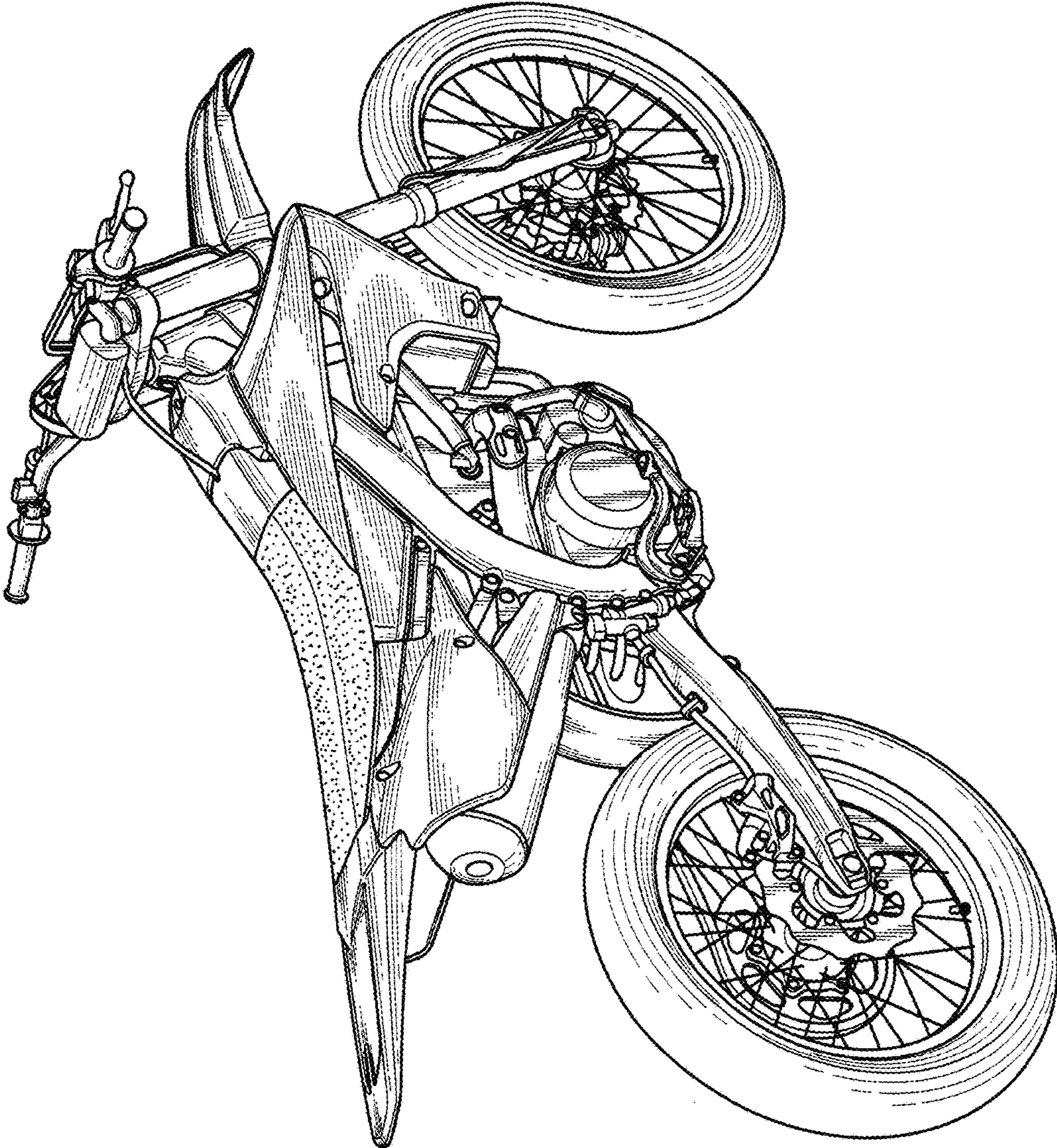


FIG. 2

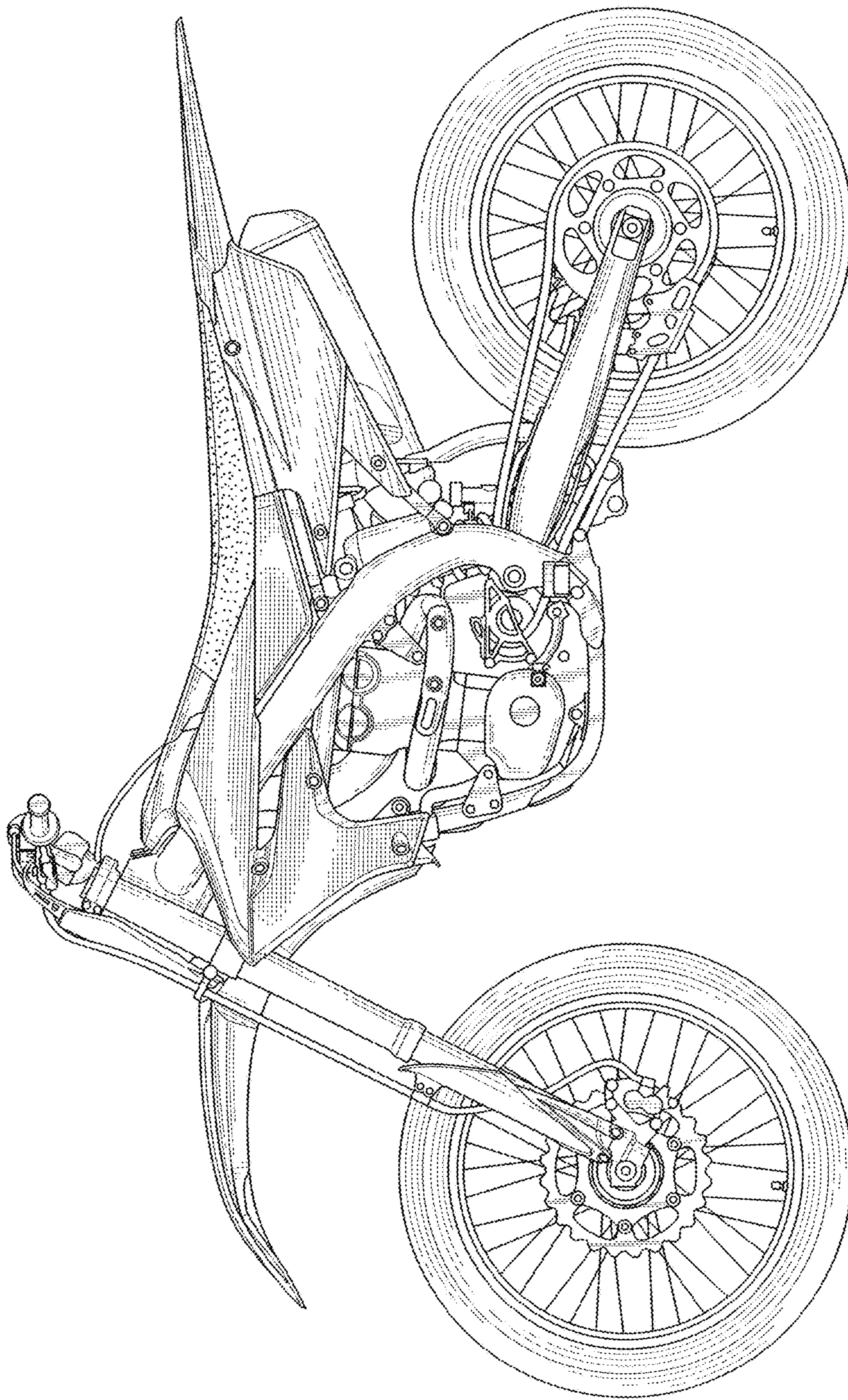


FIG. 3

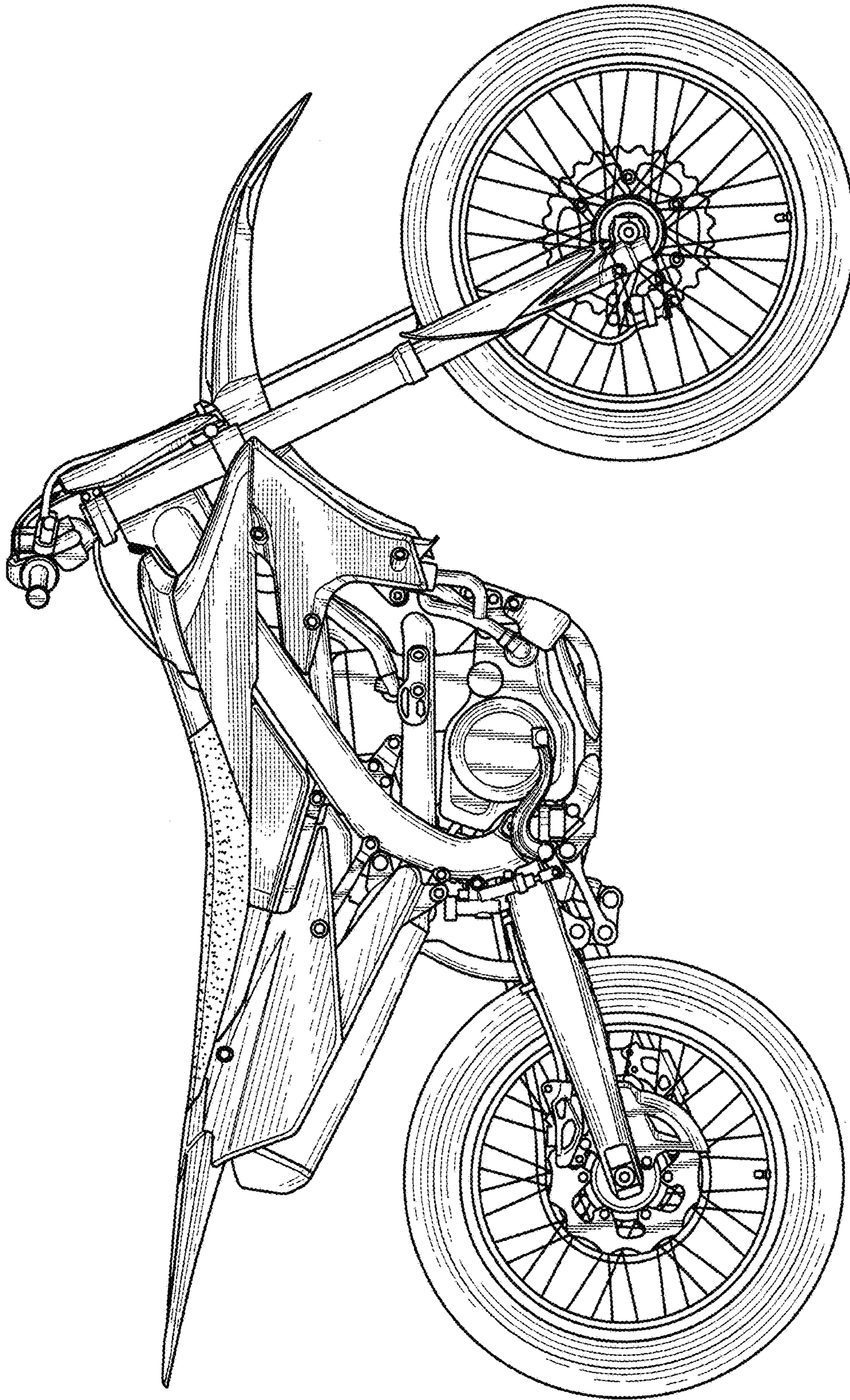


FIG. 4

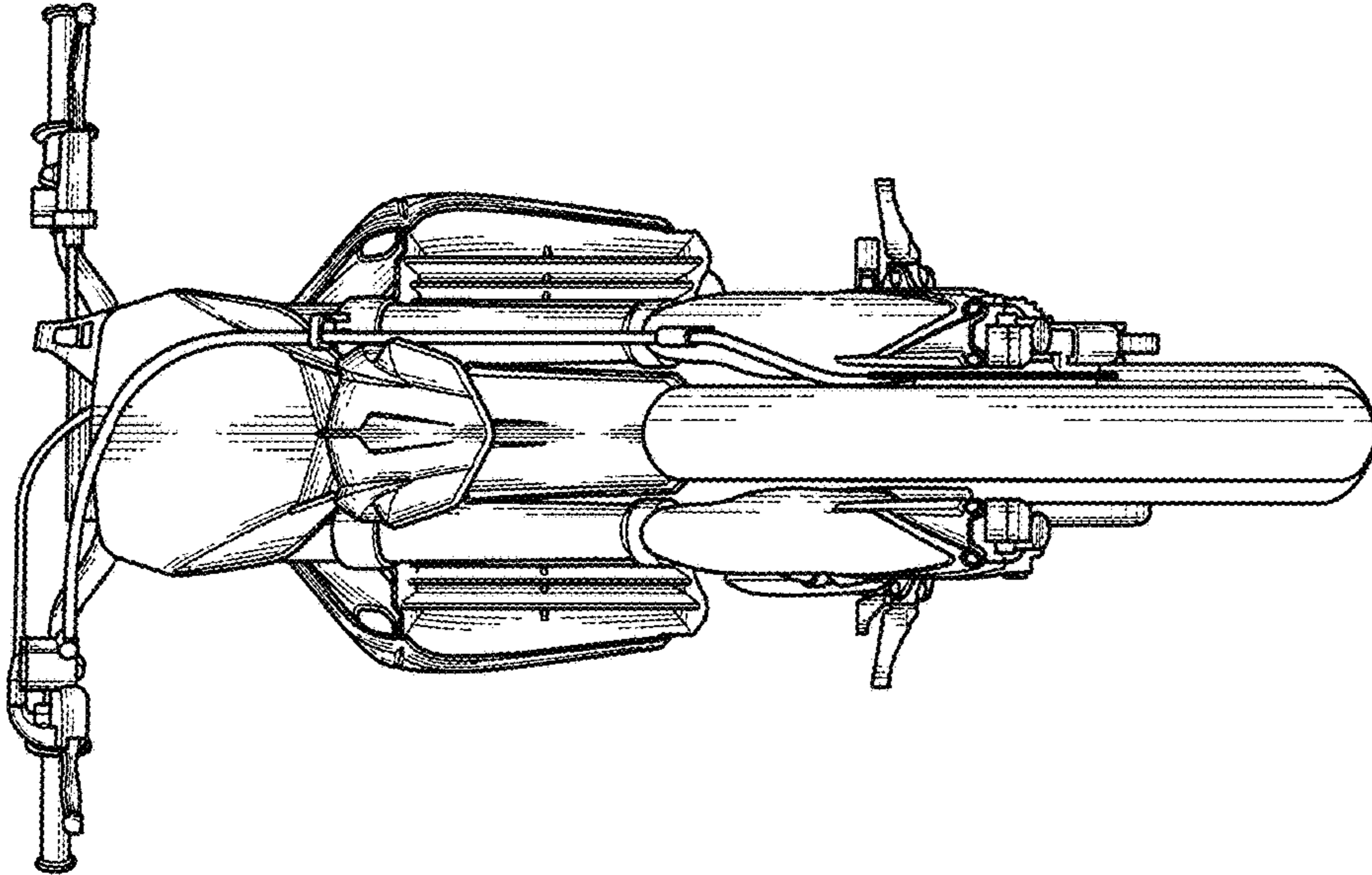


FIG. 5

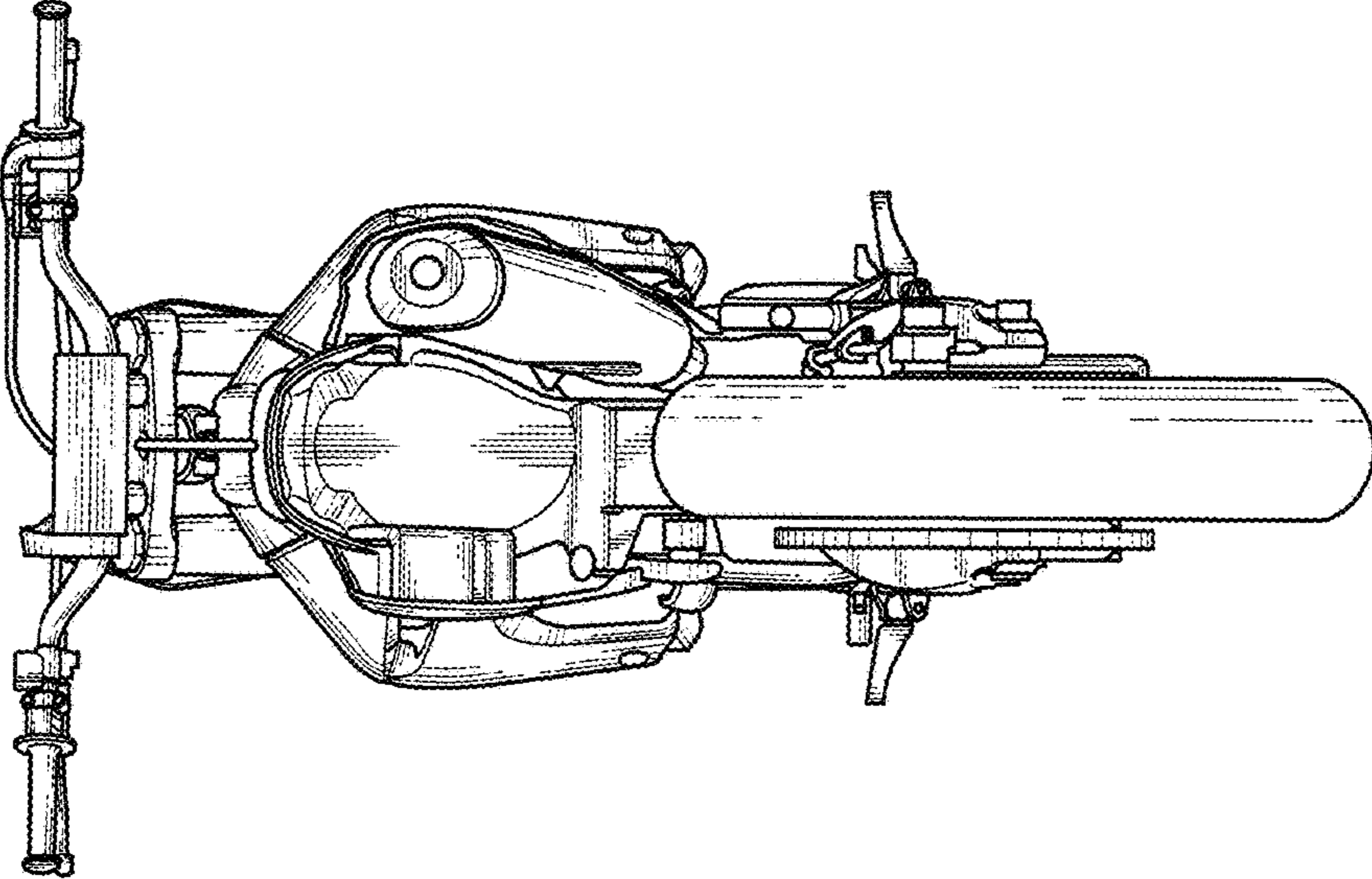


FIG. 6

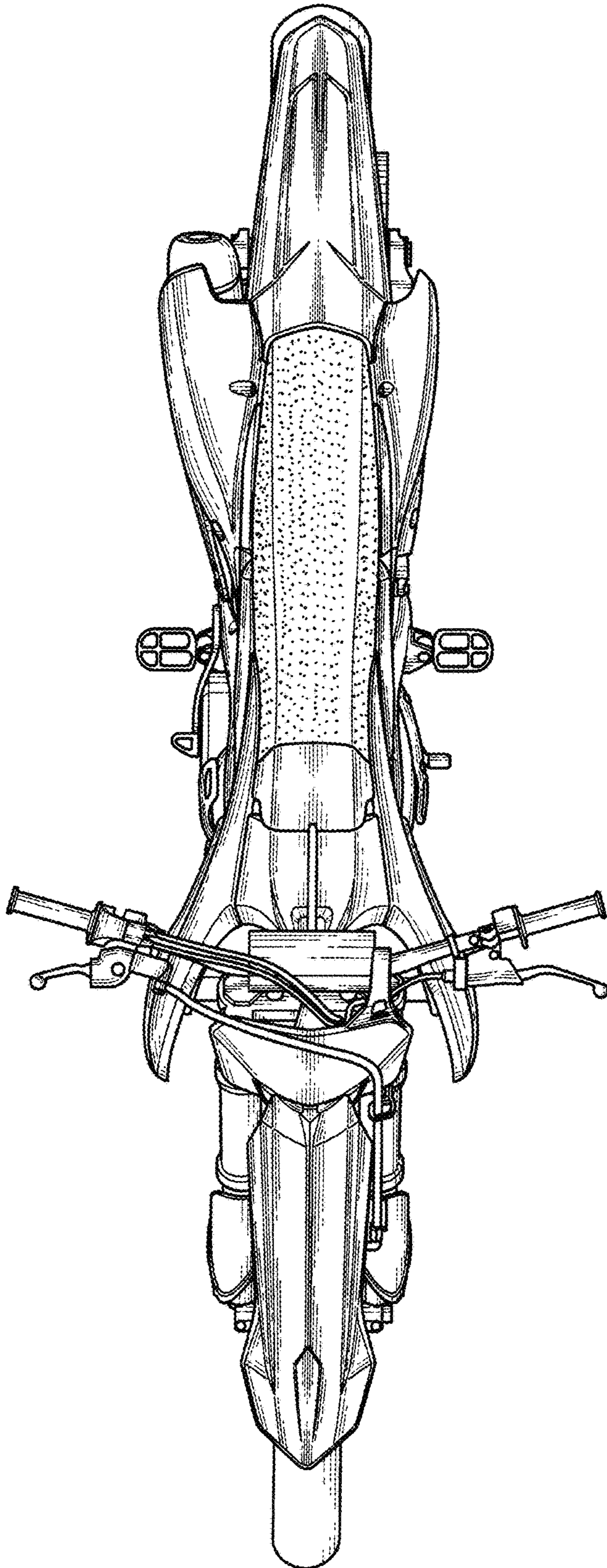


FIG. 7

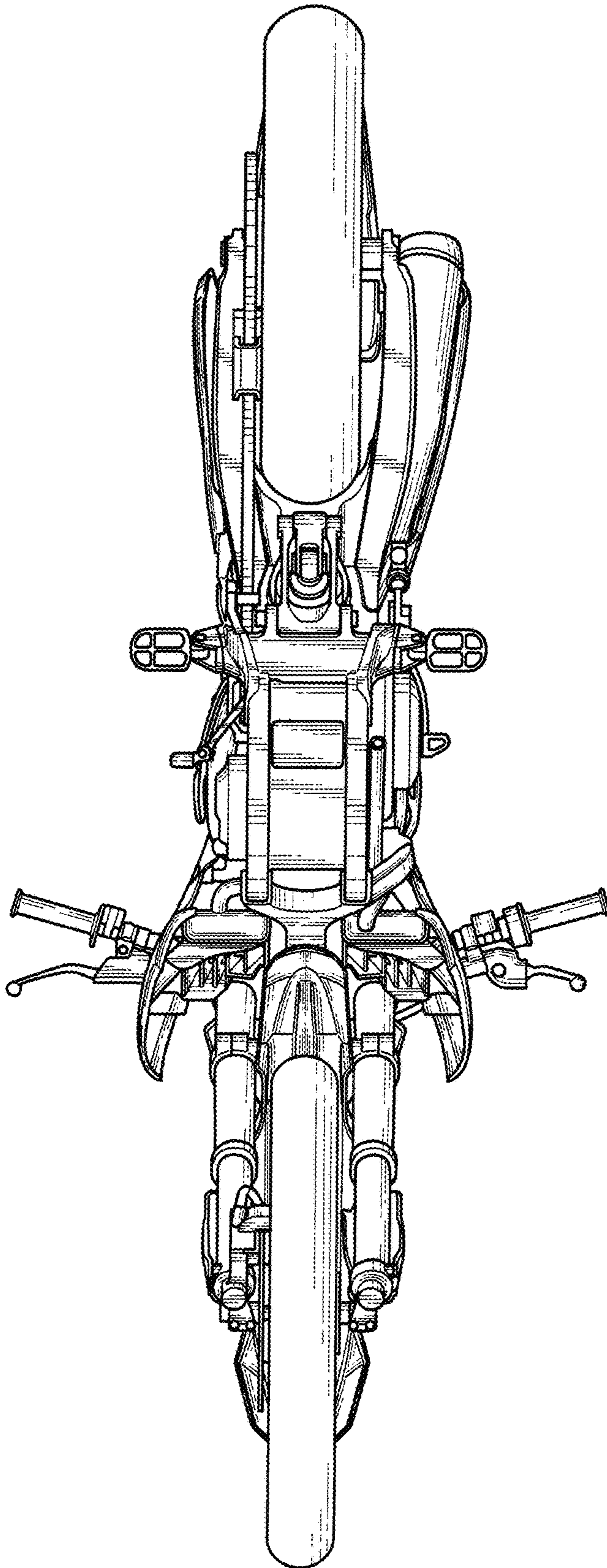


FIG. 8