



US00D817816S

(12) **United States Design Patent**
Hoste et al.

(10) **Patent No.:** **US D817,816 S**
(45) **Date of Patent:** **** May 15, 2018**

(54) **AUTOMOBILE EXTERIOR**

(71) Applicants: **Paul M Hoste**, New Hudson, MI (US);
Vincent J Galante, Lake Orion, MI (US)

(72) Inventors: **Paul M Hoste**, New Hudson, MI (US);
Vincent J Galante, Lake Orion, MI (US)

(73) Assignee: **FCA US LLC**, Auburn Hills, MI (US)

(**) Term: **15 Years**

(21) Appl. No.: **29/586,137**

(22) Filed: **Dec. 1, 2016**

(51) **LOC (11) Cl.** **12-08**

(52) **U.S. Cl.**
USPC **D12/91**

(58) **Field of Classification Search**
USPC D12/86, 90-92, 88; D21/421, 433, 434;
296/181.1, 181.5
CPC B62D 35/00; B62D 25/00; B62D 25/06;
B62D 33/00
See application file for complete search history.

(56) **References Cited**

U.S. PATENT DOCUMENTS

D420,939 S * 2/2000 Faurote D12/91
D500,460 S 1/2005 Allen et al.

D534,097 S * 12/2006 Renkert D12/91
D650,721 S 12/2011 Galante et al.
D693,737 S 11/2013 Hammoud et al.
D703,583 S 4/2014 Howell et al.
D711,784 S 8/2014 Galante et al.
D805,956 S * 12/2017 Galante D12/91

* cited by examiner

Primary Examiner — Melody N Brown

(74) *Attorney, Agent, or Firm* — Ralph E. Smith

(57) **CLAIM**

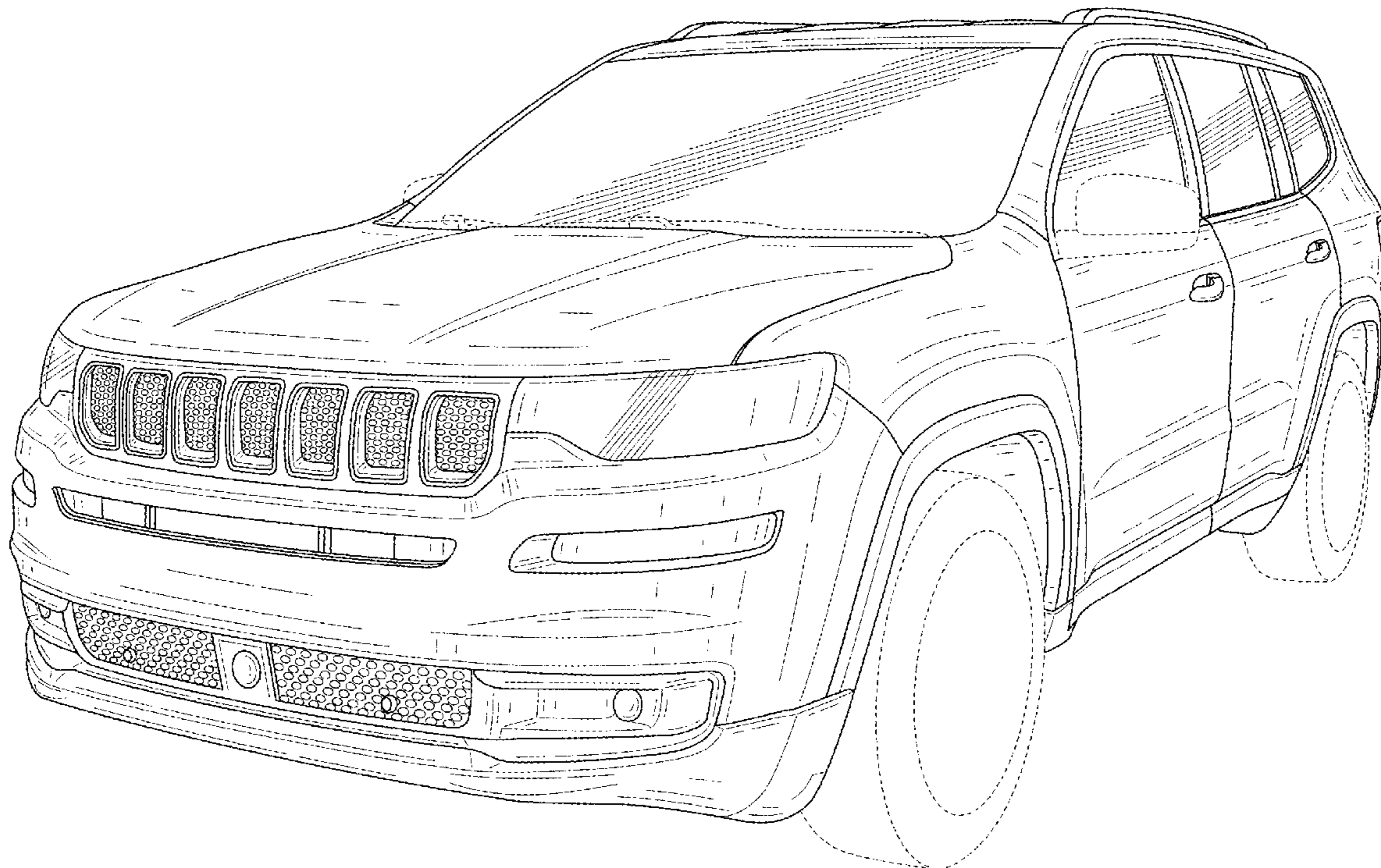
The ornamental design for an automobile exterior, as shown and described.

DESCRIPTION

FIG. 1 is a front perspective view of an automobile exterior showing our new design;
FIG. 2 is a rear perspective view thereof;
FIG. 3 is a front view thereof;
FIG. 4 is a rear view thereof;
FIG. 5 is a side view thereof and;
FIG. 6 is an opposite side view thereof; and,
FIG. 7 is a top plan view thereof.

It will be understood that the broken lines shown in the drawings illustrate portions of the automobile exterior that form no part of claimed design.

1 Claim, 6 Drawing Sheets



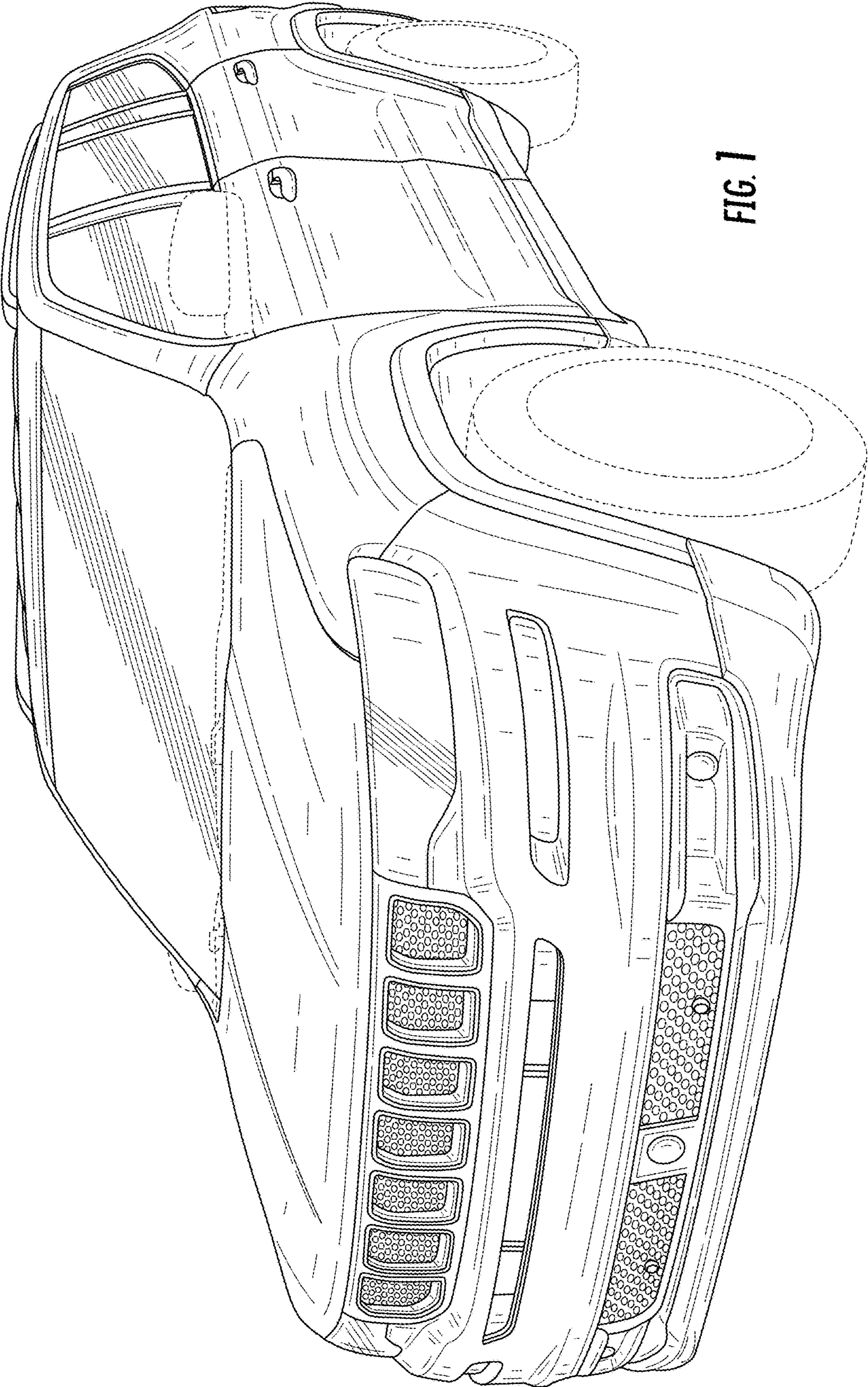


FIG. 1

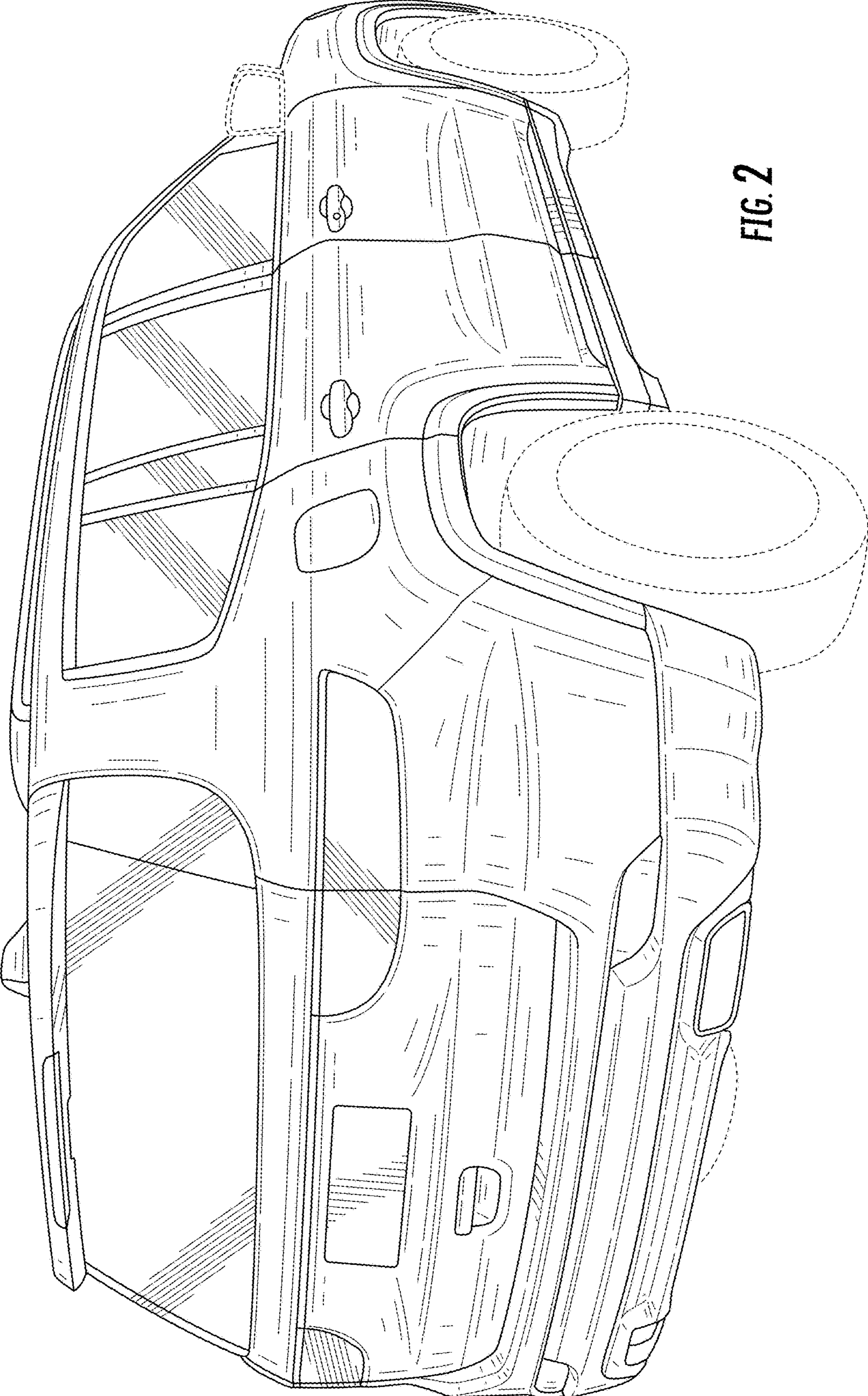


FIG. 2

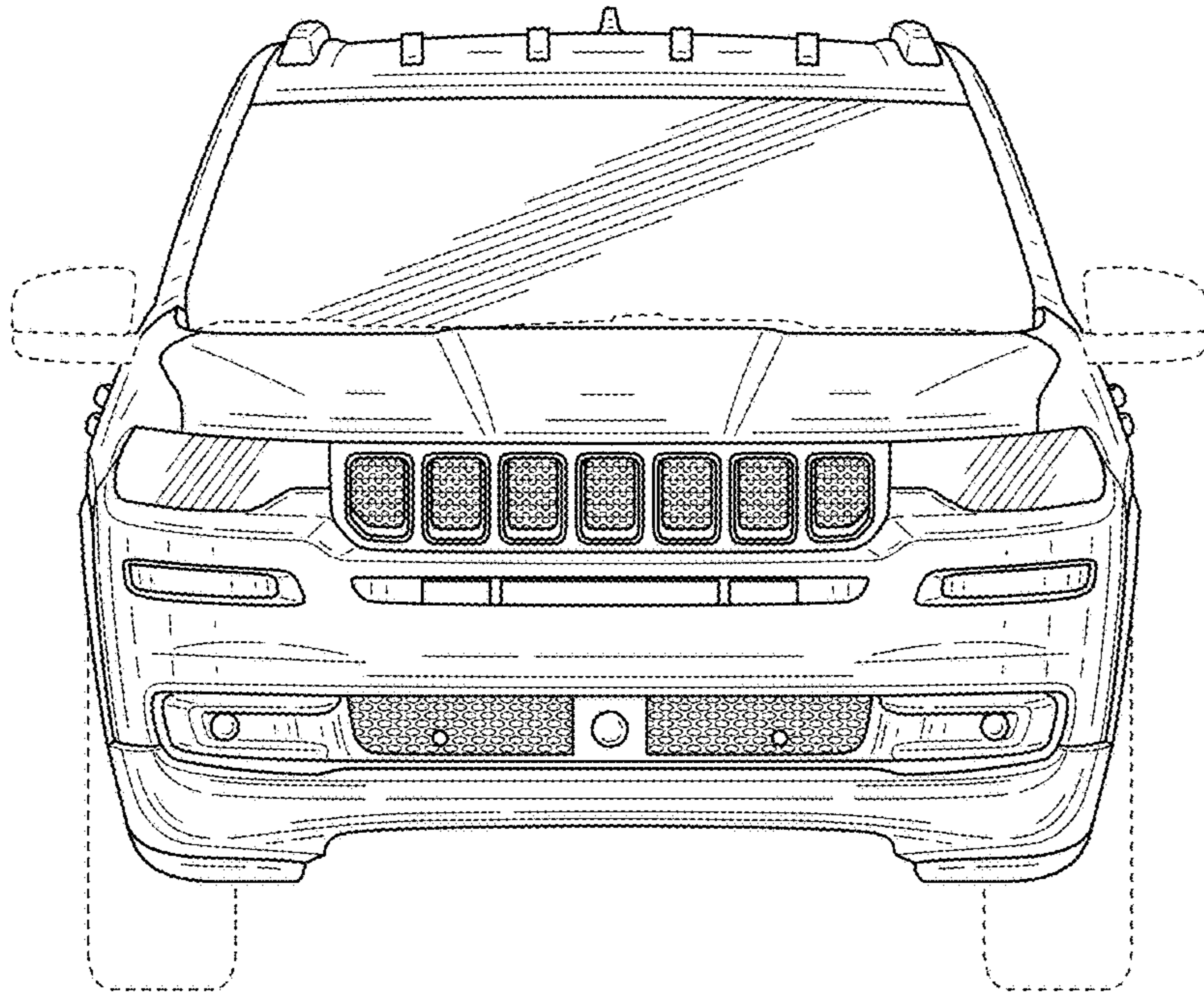


FIG. 3

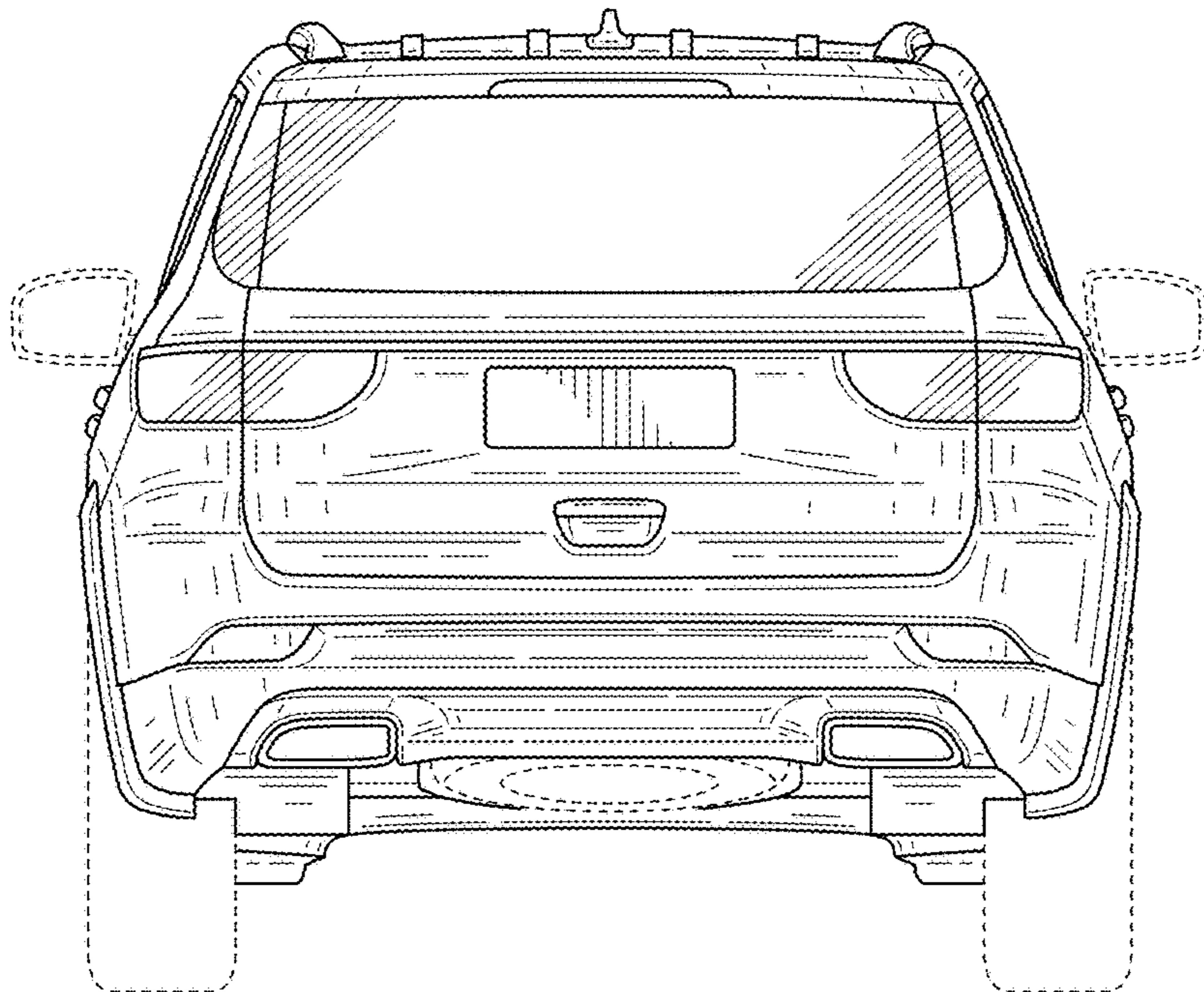


FIG. 4

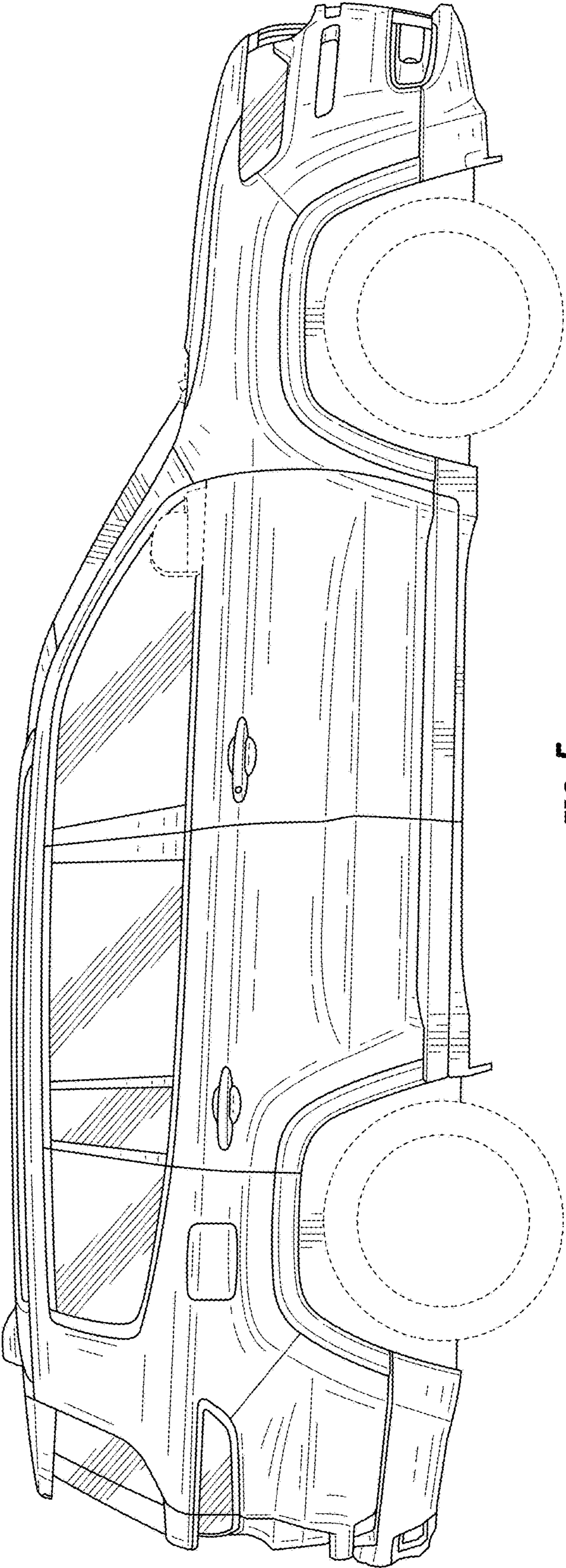


FIG. 5

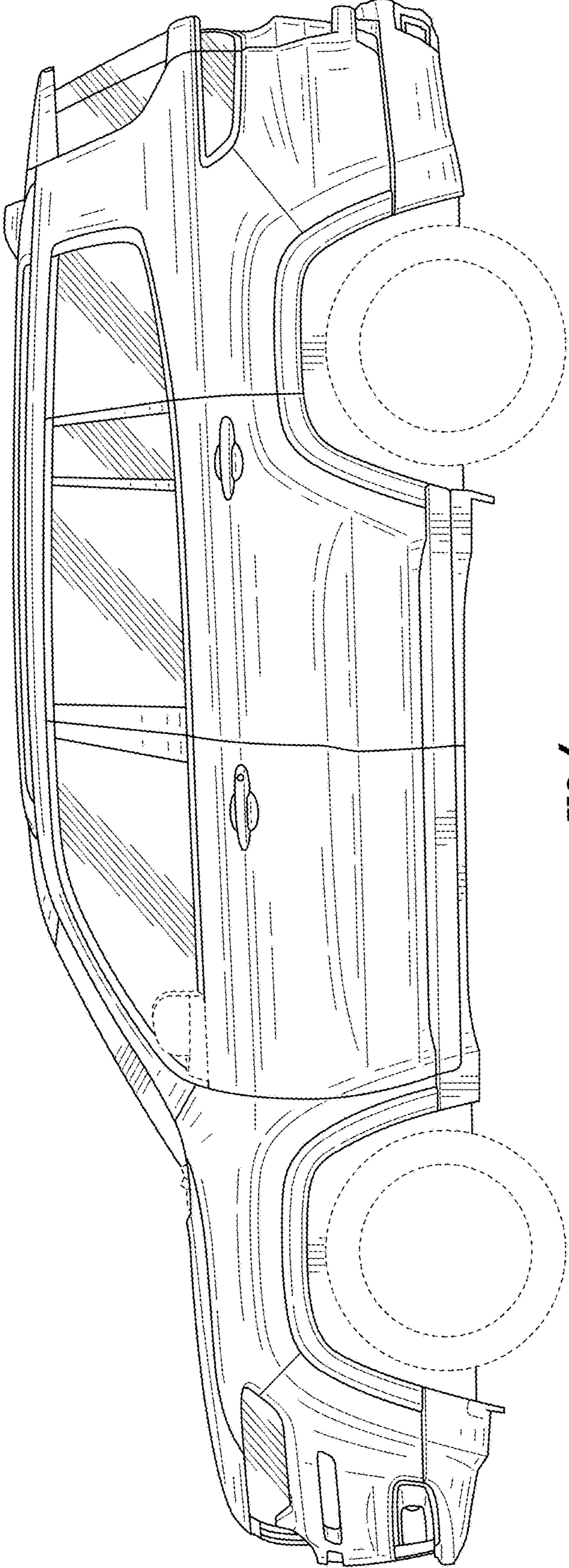


FIG. 6

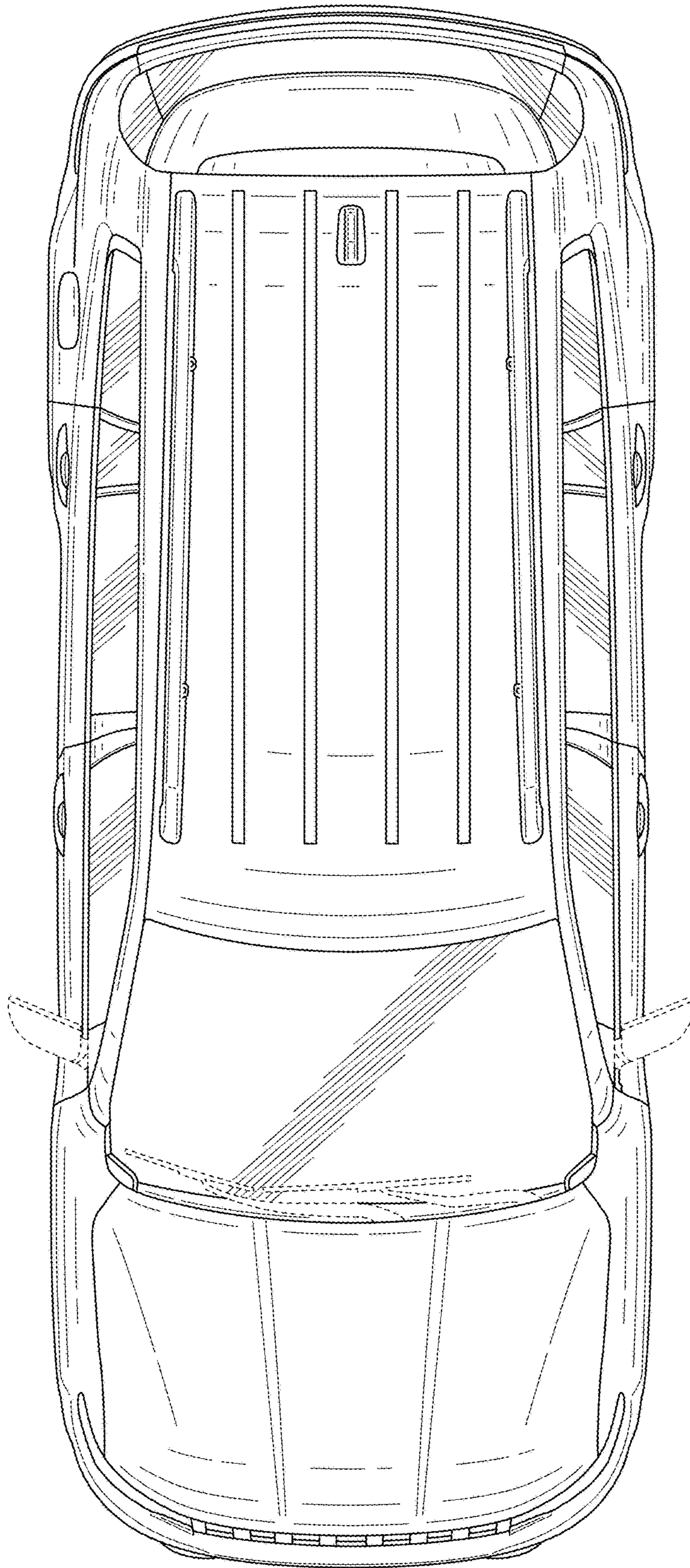


FIG. 7