



US00D817813S

(12) **United States Design Patent**
Cui et al.

(10) **Patent No.:** **US D817,813 S**
(45) **Date of Patent:** **** May 15, 2018**

- (54) **UNMANNED AERIAL VEHICLE**
- (71) Applicants: **Beijing Jingdong Shangke Information Technology Co., Ltd.**, Beijing (CN); **Beijing Jingdong Century Trading Co., Ltd.**, Beijing (CN)
- (72) Inventors: **Yan jun Cui**, Beijing (CN); **Hang Ba**, Beijing (CN)
- (73) Assignees: **Beijing Jingdong Shangke Information Technology Co., Ltd.**, Beijing (CN); **Beijing Jingdong Century Trading Co., Ltd.**, Beijing (CN)

- D197,037 S * 12/1963 Howard
- D217,839 S * 6/1970 Gluhareff
- D285,582 S * 9/1986 Williams
- D290,978 S * 7/1987 Capo
- D312,480 S * 11/1990 Darnell
- D729,322 S * 5/2015 Fisher
- D745,435 S 12/2015 Park et al.
- D751,025 S 3/2016 Howell et al.
- D761,690 S 7/2016 Friesmuth
- D761,921 S * 7/2016 Schmelter
- D770,940 S 11/2016 Taylor et al.
- 9,508,264 B2 * 11/2016 Chan
- D776,569 S 1/2017 Baruchin
- D776,570 S 1/2017 Baruchin

(Continued)

Primary Examiner — Brandon M Rosati
Assistant Examiner — Marissa J Cash
(74) *Attorney, Agent, or Firm* — Dinsmore & Shohl LLP

- (**) Term: **15 Years**
- (21) Appl. No.: **29/605,696**
- (22) Filed: **May 30, 2017**

(30) **Foreign Application Priority Data**

Mar. 8, 2017 (CN) 2017 3 0063918

- (51) **LOC (11) Cl.** **12-07**
- (52) **U.S. Cl.**
USPC **D12/16.1**
- (58) **Field of Classification Search**
USPC D12/16.1, 319, 325, 326, 327, 328,
D12/329-345; D21/436, 441, 442, 443,
D21/444, 445-453
CPC B64C 39/024; B64C 2201/141; B64C
2201/00; B64C 2201/108
See application file for complete search history.

(56) **References Cited**

U.S. PATENT DOCUMENTS

- D158,407 S * 5/1950 Pullin 244/17.23
- D170,247 S * 8/1953 Strong D12/328

(57) **CLAIM**

The ornamental designs for an unmanned aerial vehicle, as shown and described herein.

DESCRIPTION

The file of this patent contains at least one drawing/photograph executed in color. Copies of this patent with color drawing(s)/photograph(s) will be provided by the Office upon request and payment of the necessary fee.

- FIG. 1 is a first perspective view of an unmanned aerial vehicle showing the design;
- FIG. 2 is a second perspective view of the design;
- FIG. 3 is a third perspective view of the design;
- FIG. 4 is a front elevation view of the design;
- FIG. 5 is a rear elevation view of the design;
- FIG. 6 is a left-side elevation view of the design
- FIG. 7 is a right-side elevation view of the design;
- FIG. 8 is a top plan view of the design; and,
- FIG. 9 is a bottom plan view of the design.

1 Claim, 9 Drawing Sheets
(9 of 9 Drawing Sheet(s) Filed in Color)



(56)

References Cited

U.S. PATENT DOCUMENTS

D777,059 S 1/2017 Zhang et al.
D780,062 S 2/2017 Wu et al.
D782,365 S 3/2017 Hung
D784,201 S 4/2017 Goldy
D784,202 S 4/2017 Park
D806,607 S * 1/2018 Zhydanov D12/16.1
2013/0092799 A1 * 4/2013 Tian B64C 27/26
244/7 R
2015/0329204 A1 * 11/2015 Nelson B64C 27/26
244/6
2016/0194069 A1 * 7/2016 Taylor B64C 39/024
244/17.23
2016/0272310 A1 * 9/2016 Chan B64C 27/08
2016/0280369 A1 * 9/2016 Pounds A63H 27/00
2016/0311528 A1 * 10/2016 Nemovi B64C 27/82
2016/0355259 A1 * 12/2016 Vander Lind B64D 1/08
2017/0183106 A1 * 6/2017 Yu B64F 1/025
2017/0355455 A1 * 12/2017 Taylor G05D 1/0858
2017/0369162 A1 * 12/2017 Alzahrani B64C 29/0033

* cited by examiner



FIG. 1



FIG. 2



FIG. 3

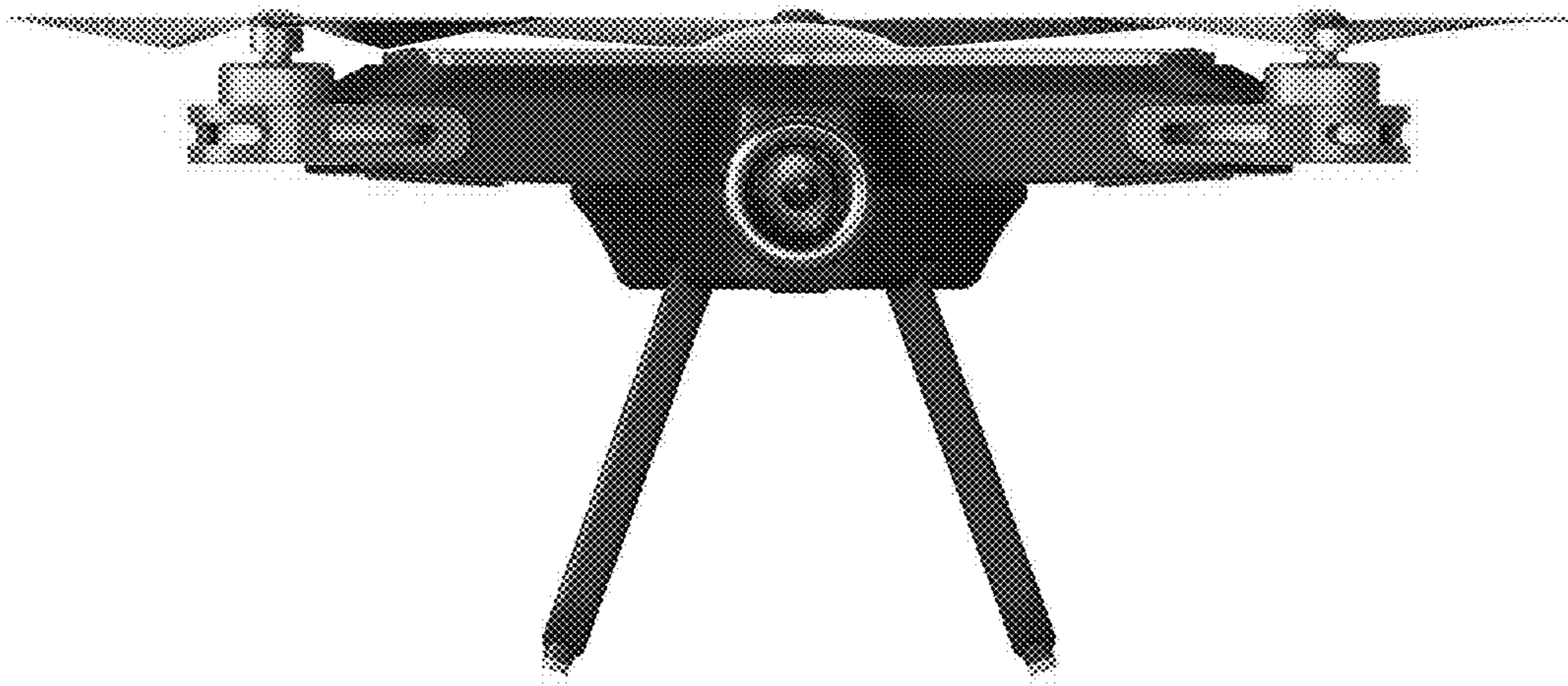


FIG. 4



FIG. 5

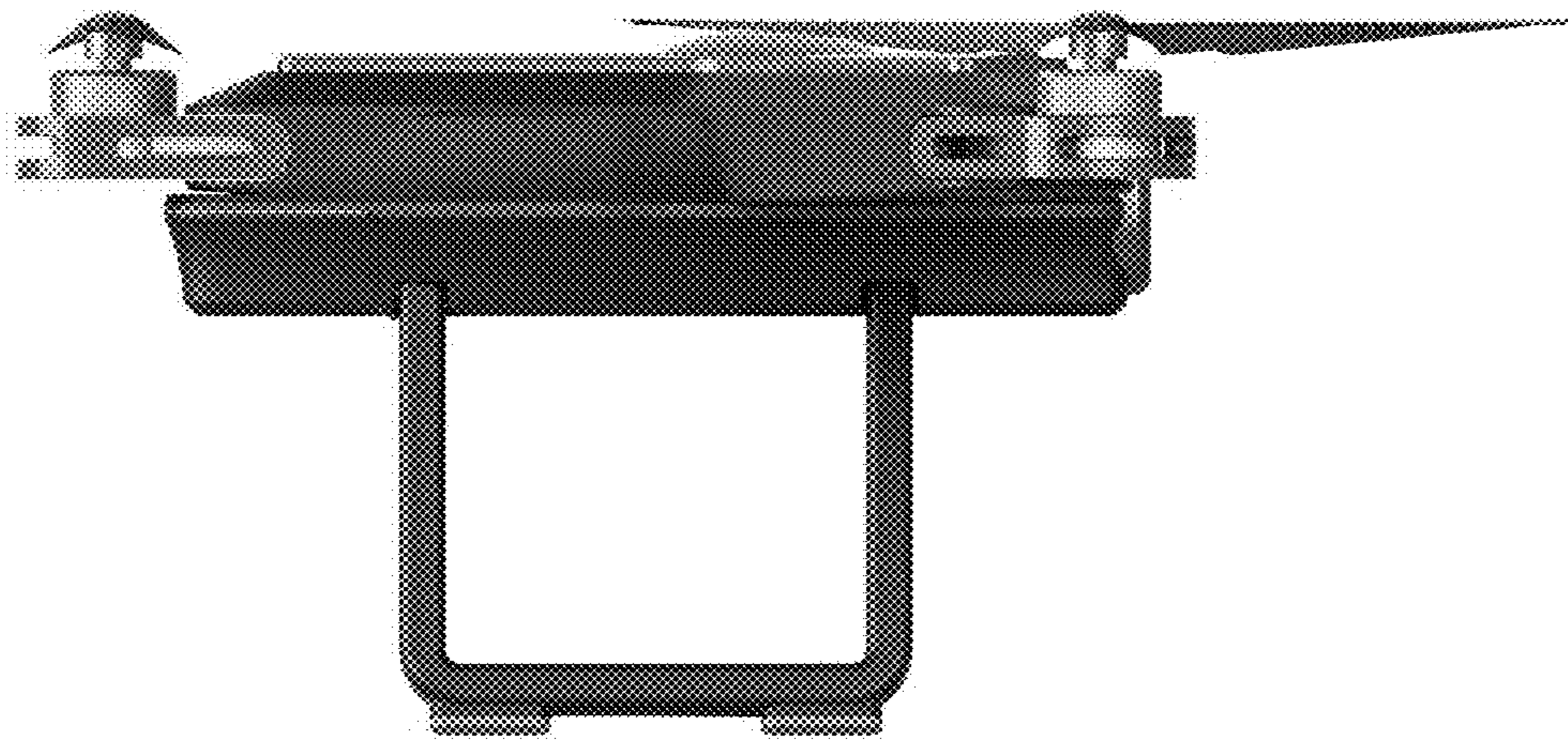


FIG. 6

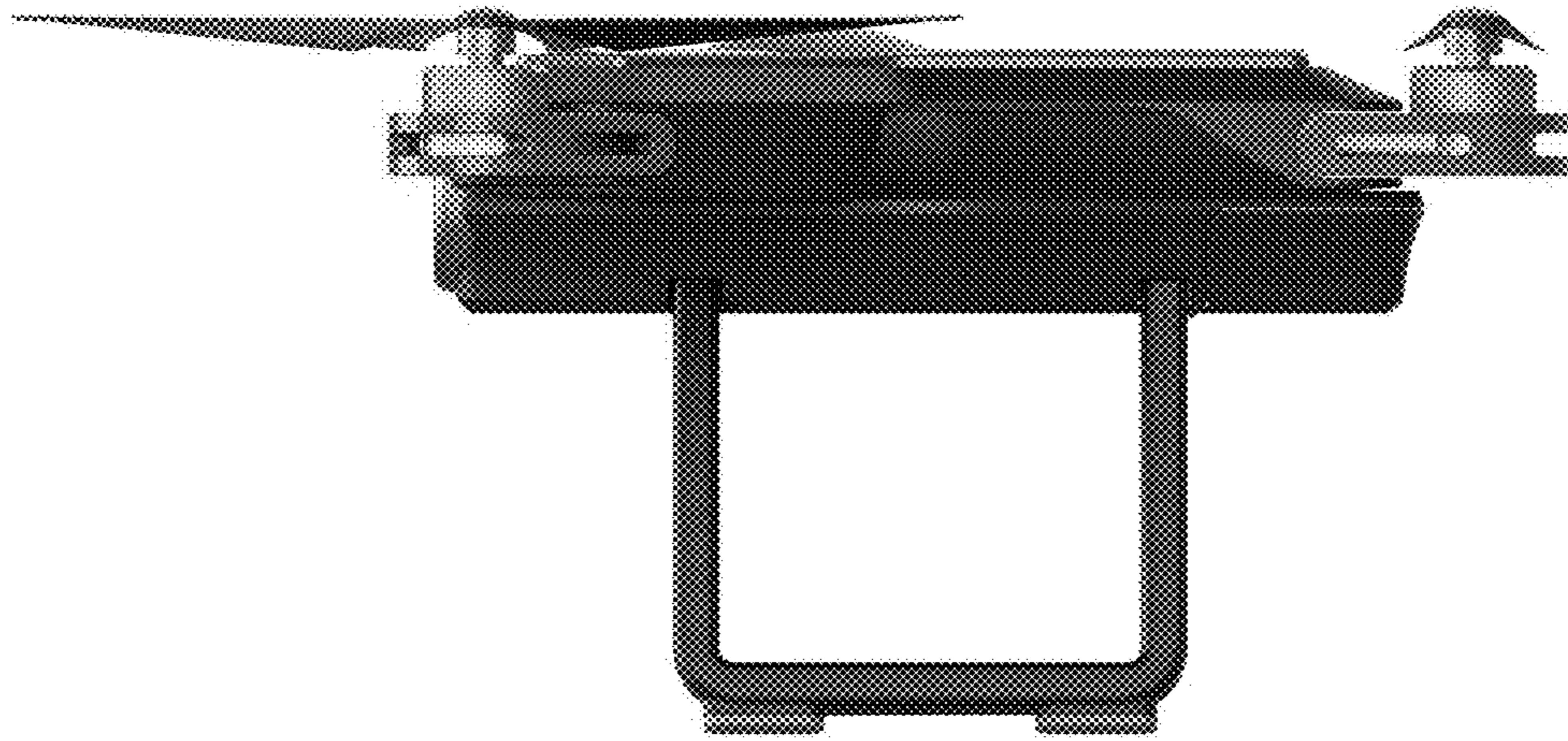


FIG. 7



FIG. 8



FIG. 9