



US00D817812S

(12) **United States Design Patent**  
**Whitten, Jr.**

(10) **Patent No.:** **US D817,812 S**  
(45) **Date of Patent:** **\*\* May 15, 2018**

- (54) **UNMANNED AERIAL VEHICLE**
- (71) Applicant: **Advanced Aerial Services, LLC,**  
Woodward, OK (US)
- (72) Inventor: **Donald Lee Whitten, Jr.,** Woodward,  
OK (US)
- (\*\*) Term: **15 Years**
- (21) Appl. No.: **29/582,776**
- (22) Filed: **Oct. 31, 2016**
- (51) **LOC (11) Cl.** ..... **12-07**
- (52) **U.S. Cl.**  
USPC ..... **D12/16.1**
- (58) **Field of Classification Search**  
USPC ..... D12/3, 16.1, 319-345; D21/436-455  
CPC ..... B64C 39/024; B64C 2201/108  
See application file for complete search history.

- D500,008 S \* 12/2004 Bulaga ..... D12/345
  - 6,848,649 B2 2/2005 Churchman
  - D516,994 S \* 3/2006 Houck, II ..... D12/319
  - D526,951 S \* 8/2006 Houck, II ..... D12/319
  - D541,206 S \* 4/2007 Brunner ..... D12/325
- (Continued)

**OTHER PUBLICATIONS**

Scott, Robert C. et al., "Aeroservoelastic Wind-Tunnel Tests of a Free-Flying, Joined-Wing SensorCraft Model for Gust Load Alleviation," 52nd AIAA/ASME/ASCE/AHS/ASC Structures, Structural Dynamics and Materials Conference, 36 pages, Apr. 4-7, 2011.

*Primary Examiner* — Robert M. Spear  
*Assistant Examiner* — Marissa J Cash  
(74) *Attorney, Agent, or Firm* — Perkins Coie LLP

(57) **CLAIM**

The ornamental design for an unmanned aerial vehicle, as shown.

(56) **References Cited**

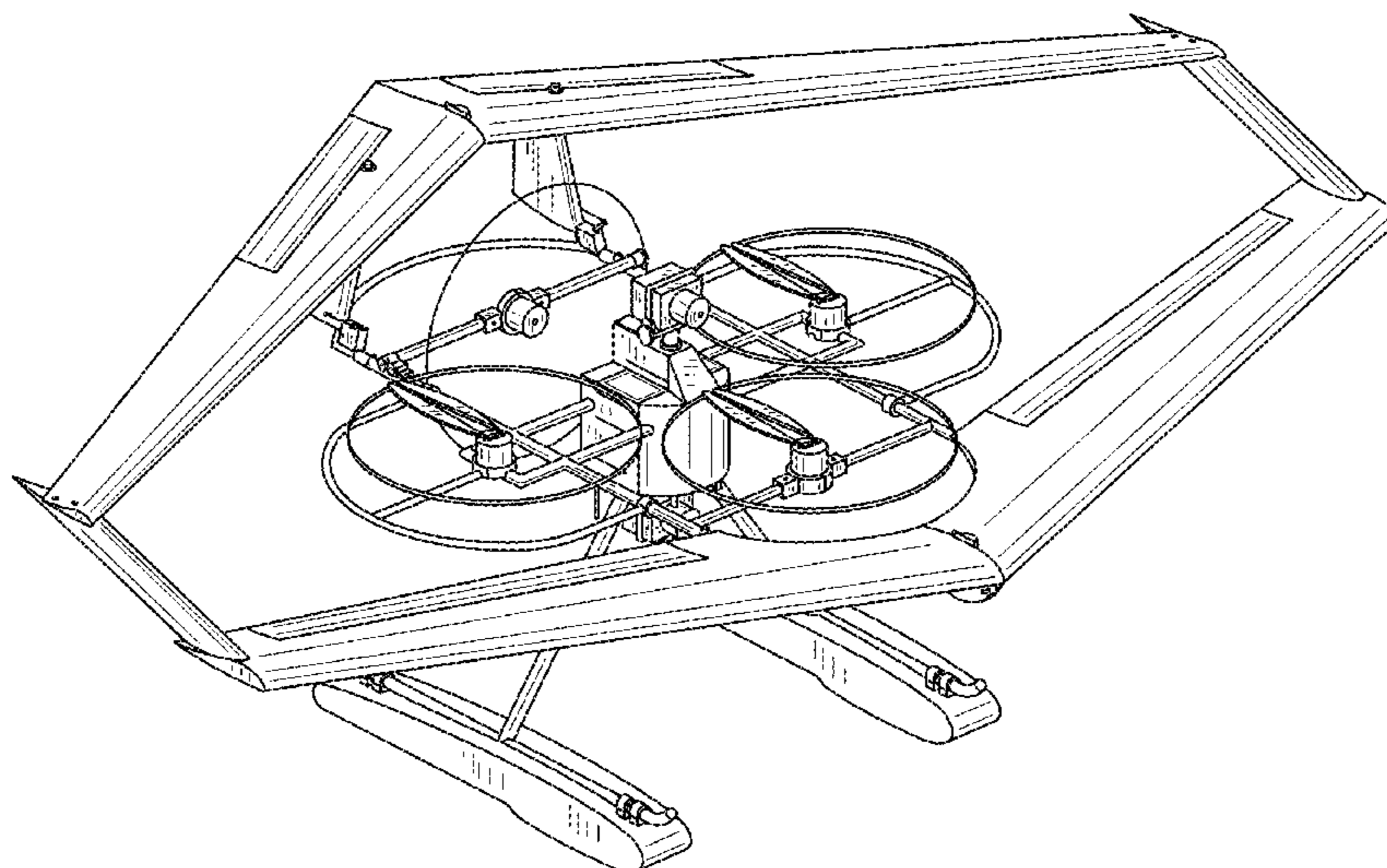
**U.S. PATENT DOCUMENTS**

- D193,452 S \* 8/1962 Rellis ..... D12/330
- D194,765 S \* 3/1963 Sudrow ..... 244/23 R
- D196,157 S \* 8/1963 Petry ..... D12/330
- 3,350,035 A 10/1967 Schlieben
- 4,146,199 A 3/1979 Wenzel
- D275,021 S \* 8/1984 Brzack ..... D21/453
- D292,203 S \* 10/1987 Ligeti ..... D12/319
- D292,910 S \* 11/1987 McGiboney ..... D12/331
- D292,911 S \* 11/1987 Argondezzi ..... D12/345
- 4,784,351 A 11/1988 Eickmann
- D304,821 S \* 11/1989 Ratony ..... D12/319
- D308,043 S \* 5/1990 Butler ..... D12/331
- D311,720 S \* 10/1990 Butler ..... D12/331
- 5,046,684 A 9/1991 Wolkovitch
- D418,805 S \* 1/2000 Cycon ..... 244/12.3
- D445,086 S \* 7/2001 Moshier ..... D12/319
- D454,109 S \* 3/2002 Moshier ..... D12/319
- D486,775 S \* 2/2004 Reinhard ..... D12/319
- D486,776 S \* 2/2004 Carr ..... D12/319
- D496,900 S \* 10/2004 Bulaga ..... D12/319

**DESCRIPTION**

FIG. 1 is a perspective view of an unmanned aerial vehicle.  
FIG. 2 is a front plan view thereof.  
FIG. 3 is a back plan view thereof.  
FIG. 4 is a right view thereof.  
FIG. 5 is a left view thereof.  
FIG. 6 is a top view thereof.  
FIG. 7 is a bottom view thereof.  
FIG. 8 is a perspective view of a second embodiment of an unmanned aerial vehicle.  
FIG. 9 is a front plan view thereof.  
FIG. 10 is a back plan view thereof.  
FIG. 11 is a right view thereof.  
FIG. 12 is a left view thereof.  
FIG. 13 is a top view thereof; and,  
FIG. 14 is a bottom view thereof.

**1 Claim, 14 Drawing Sheets**



(56)

**References Cited**

## U.S. PATENT DOCUMENTS

|              |      |         |                   |                          |
|--------------|------|---------|-------------------|--------------------------|
| D543,928     | S *  | 6/2007  | Sanders, Jr. .... | B64C 27/12<br>D12/319    |
| D594,809     | S *  | 6/2009  | Cazals .....      | D12/345                  |
| D595,206     | S *  | 6/2009  | Cazals .....      | D12/345                  |
| D595,207     | S *  | 6/2009  | Cazals .....      | D12/345                  |
| D595,209     | S *  | 6/2009  | Cazals .....      | D12/345                  |
| D598,838     | S *  | 8/2009  | Carr .....        | D12/319                  |
| 8,220,737    | B2 * | 7/2012  | Wood .....        | B64C 29/0025<br>244/12.3 |
| D665,333     | S *  | 8/2012  | Oliver .....      | D12/326                  |
| D696,618     | S *  | 12/2013 | Wang .....        | D12/326                  |
| D724,001     | S *  | 3/2015  | Garreau .....     | D12/326                  |
| D740,201     | S *  | 10/2015 | Wang .....        | D12/326                  |
| D741,751     | S *  | 10/2015 | Klaptocz .....    | D12/16.1                 |
| D751,025     | S *  | 3/2016  | Howell .....      | D12/16.1                 |
| D761,690     | S *  | 7/2016  | Friesmuth .....   | D12/16.1                 |
| D787,372     | S *  | 5/2017  | Ketcher .....     | D12/16.1                 |
| D789,248     | S *  | 6/2017  | Ketcher .....     | D12/16.1                 |
| 2003/0201363 | A1 * | 10/2003 | Carr .....        | B64C 3/46<br>244/74      |
| 2006/0226281 | A1 * | 10/2006 | Walton .....      | B64C 27/20<br>244/17.23  |
| 2010/0200703 | A1 * | 8/2010  | Cazals .....      | B64C 39/068<br>244/45 R  |
| 2010/0224721 | A1   | 9/2010  | Wood              |                          |
| 2015/0136897 | A1   | 5/2015  | Seibel            |                          |
| 2015/0175258 | A1 * | 6/2015  | Lee .....         | B64C 27/08<br>244/17.23  |
| 2016/0129998 | A1   | 5/2016  | Traube            |                          |
| 2017/0269609 | A1 * | 9/2017  | Bradlow .....     | G05D 1/102               |
| 2017/0274983 | A1 * | 9/2017  | Beckman .....     | B64C 11/48               |
| 2017/0285661 | A1 * | 10/2017 | Harada .....      | G05D 1/101               |
| 2017/0300067 | A1 * | 10/2017 | Douglas .....     | G05D 1/0858              |

\* cited by examiner

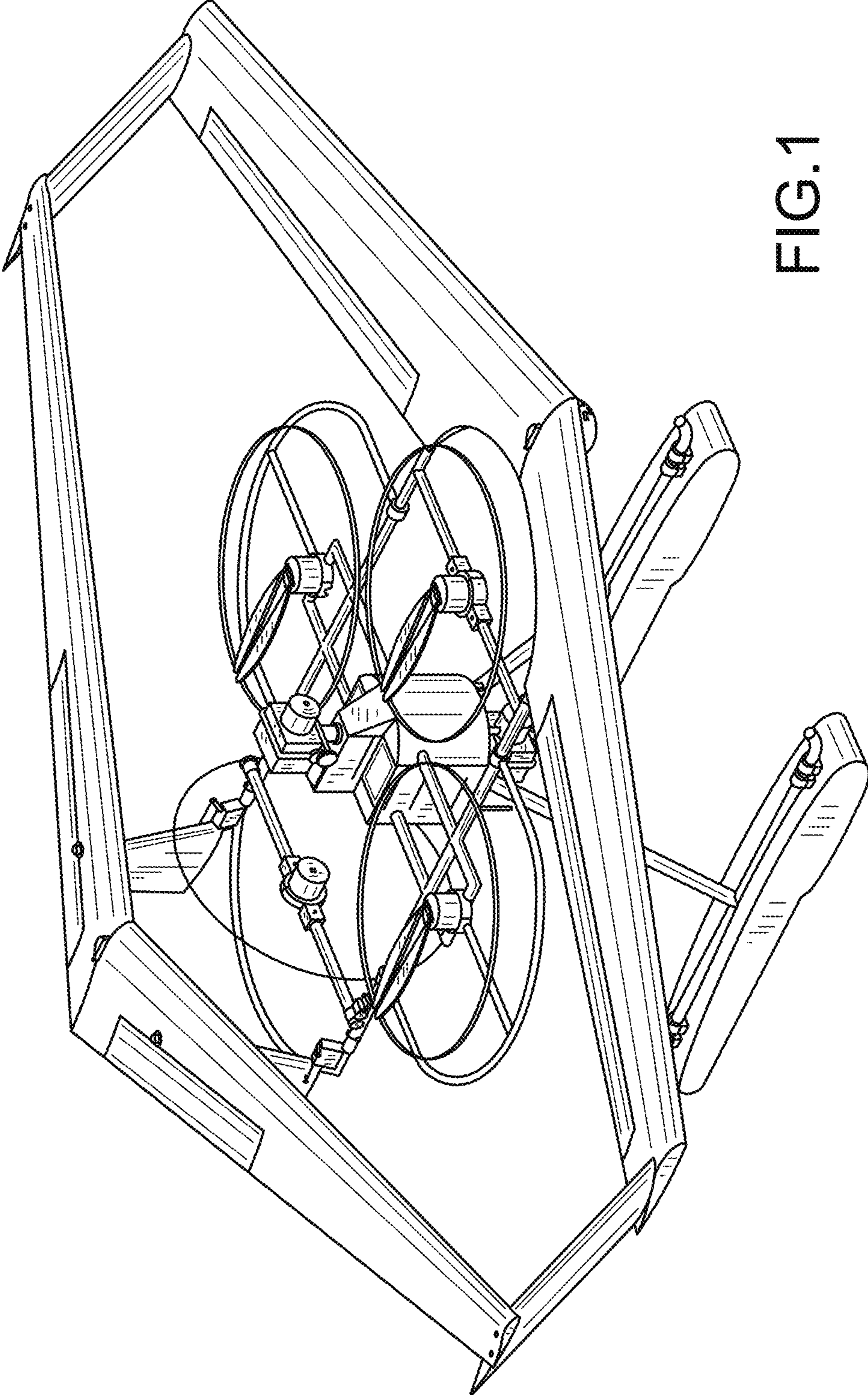


FIG.1

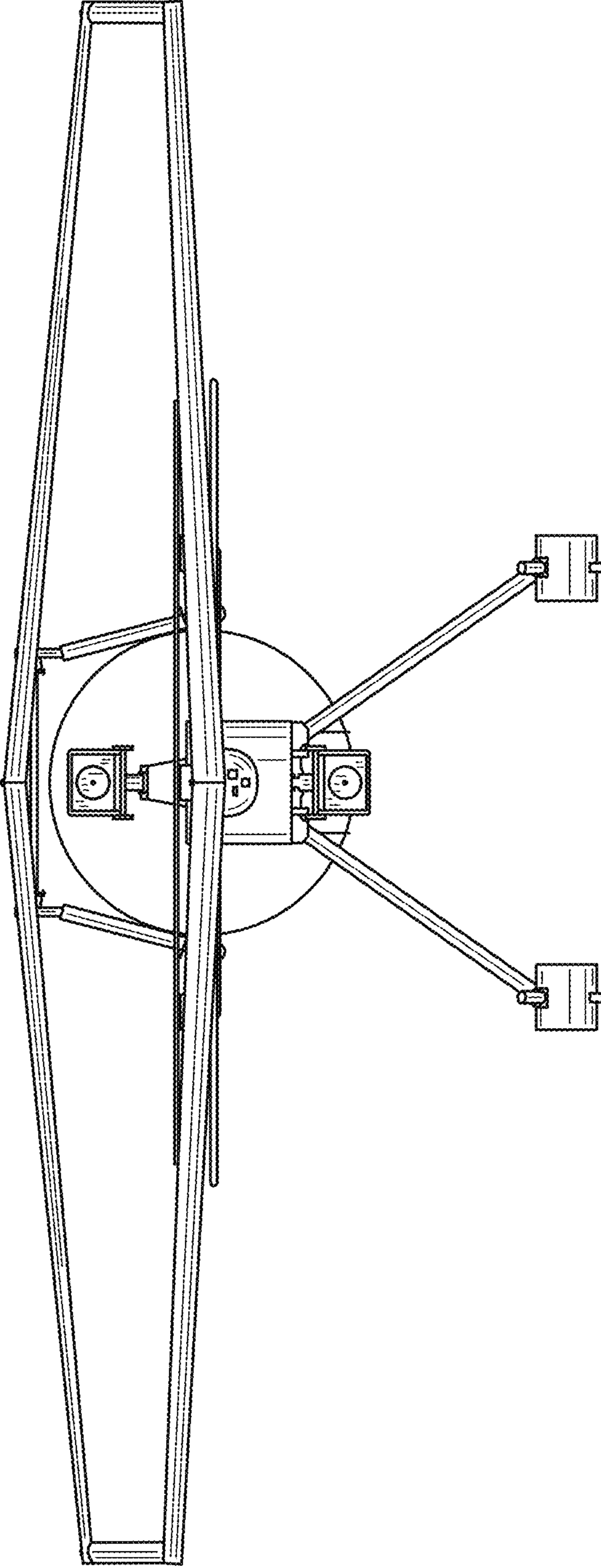


FIG.2

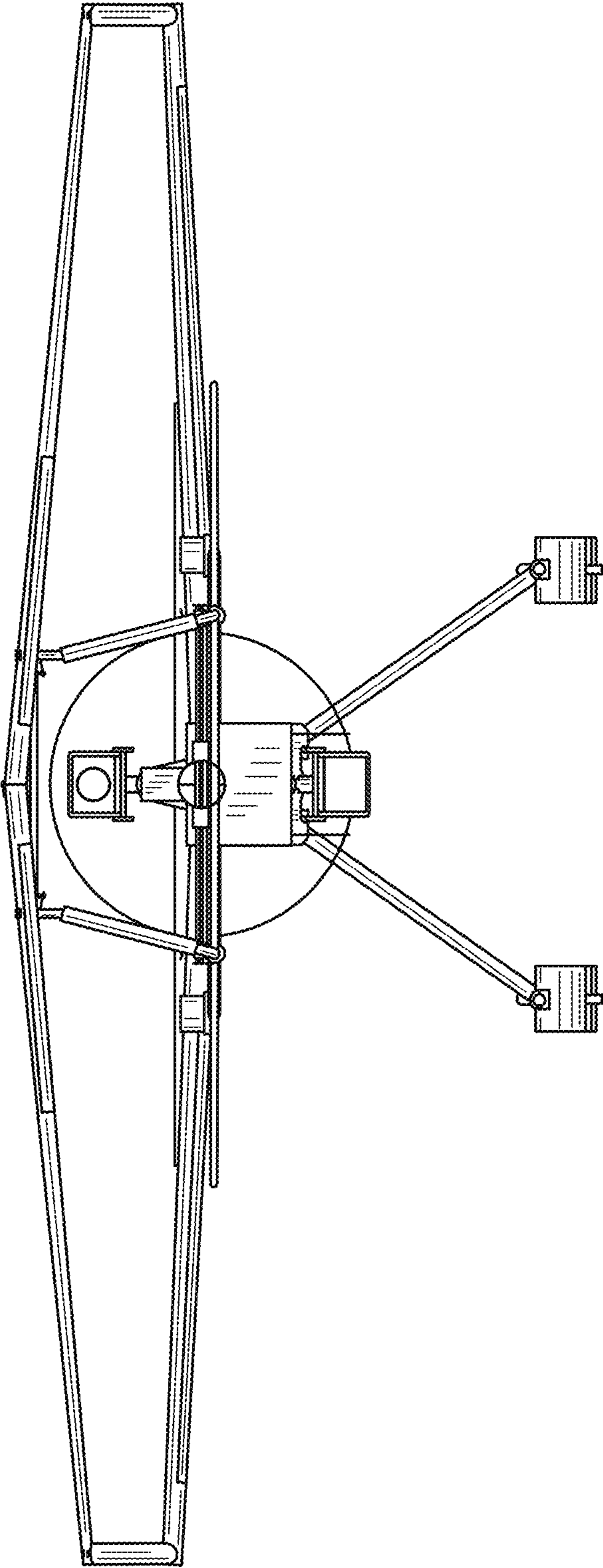


FIG.3

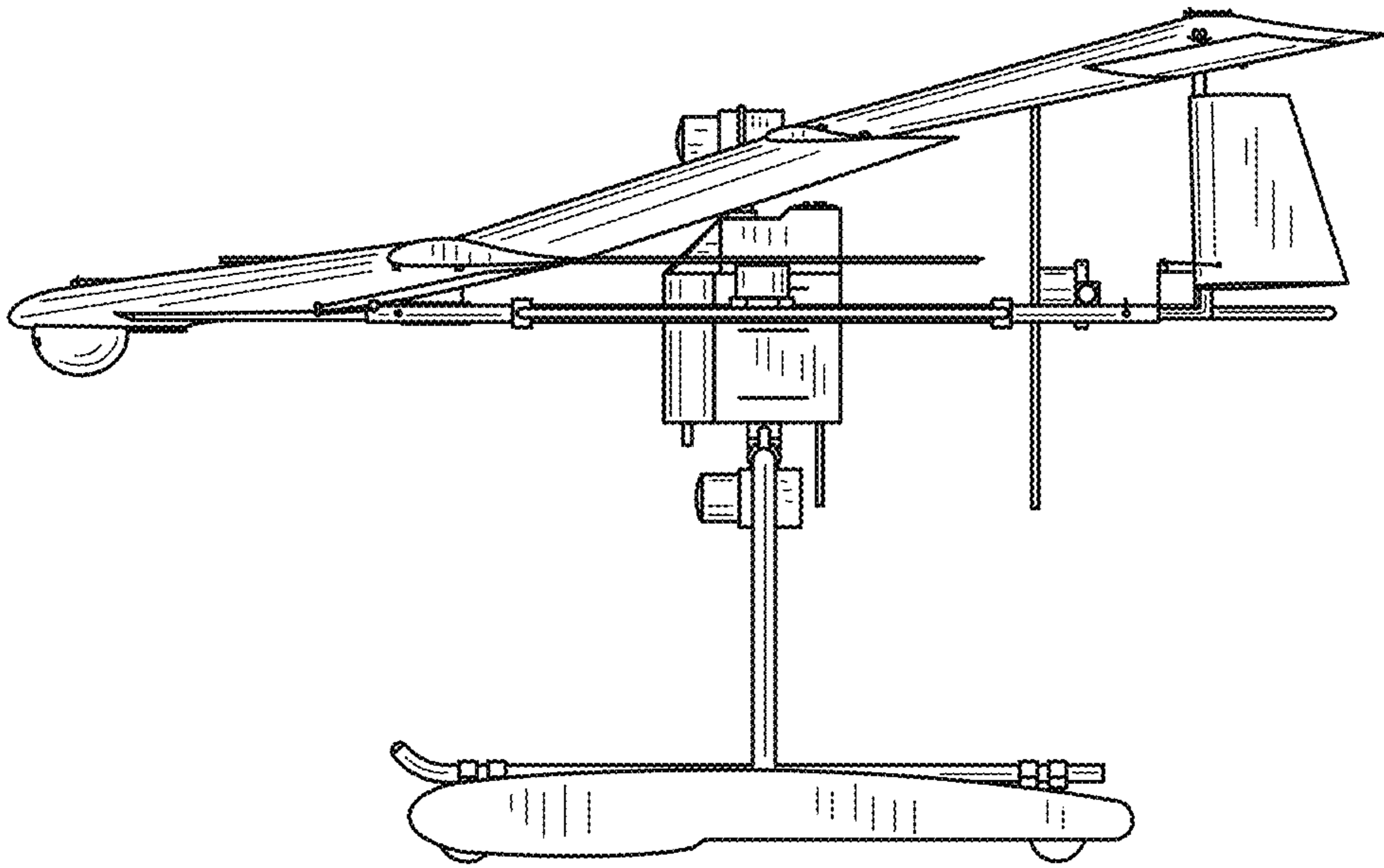


FIG.4

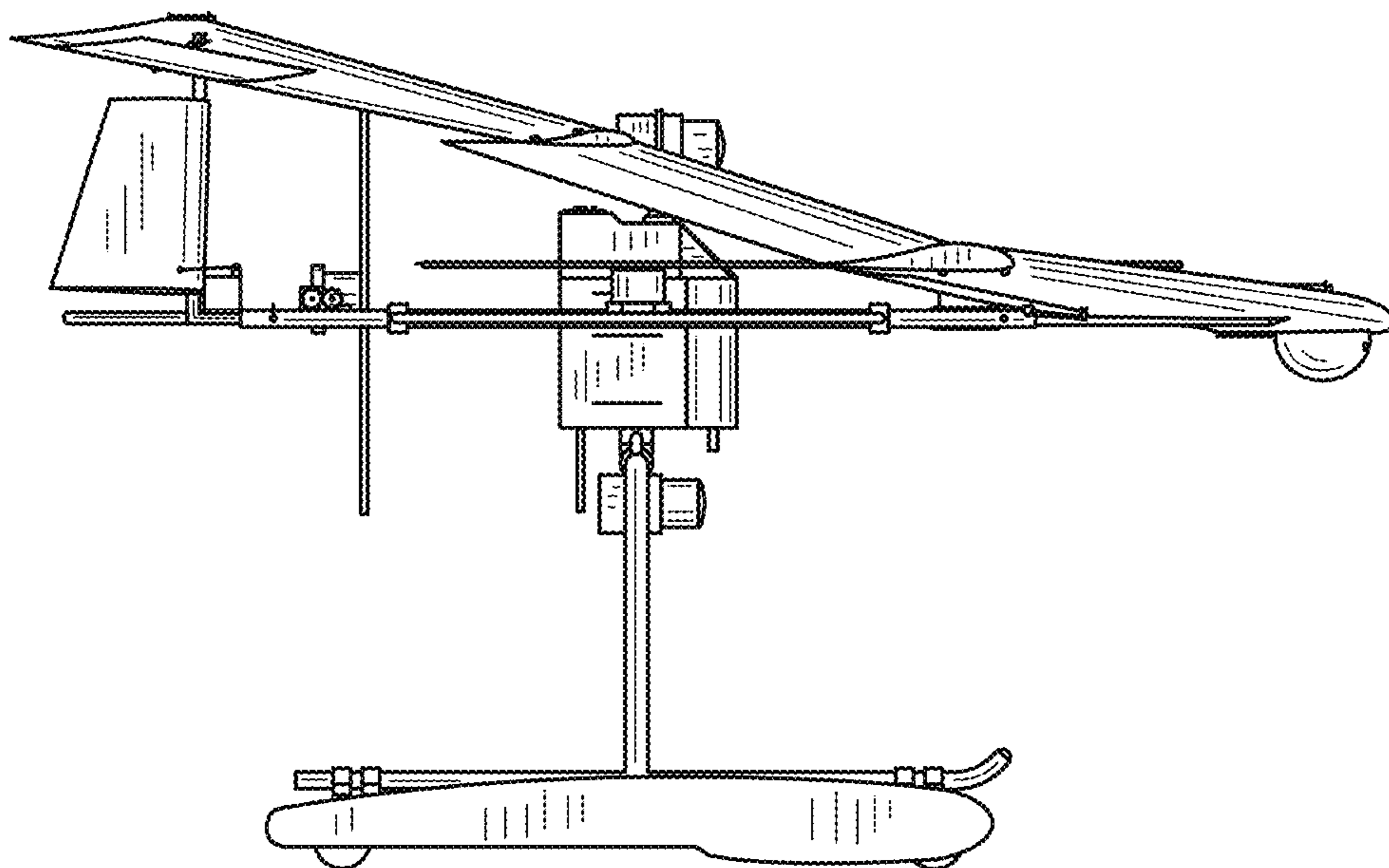


FIG.5

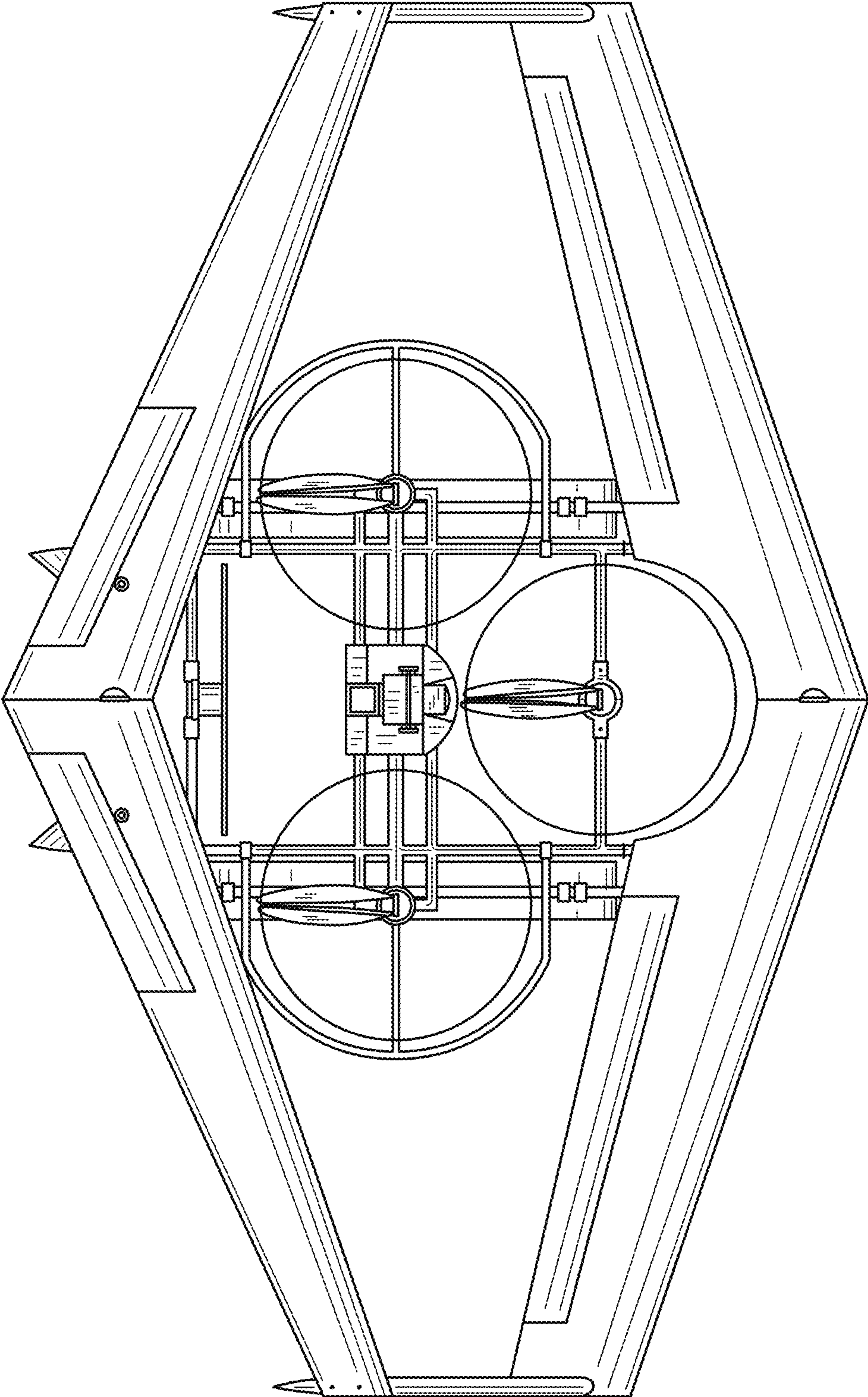


FIG.6



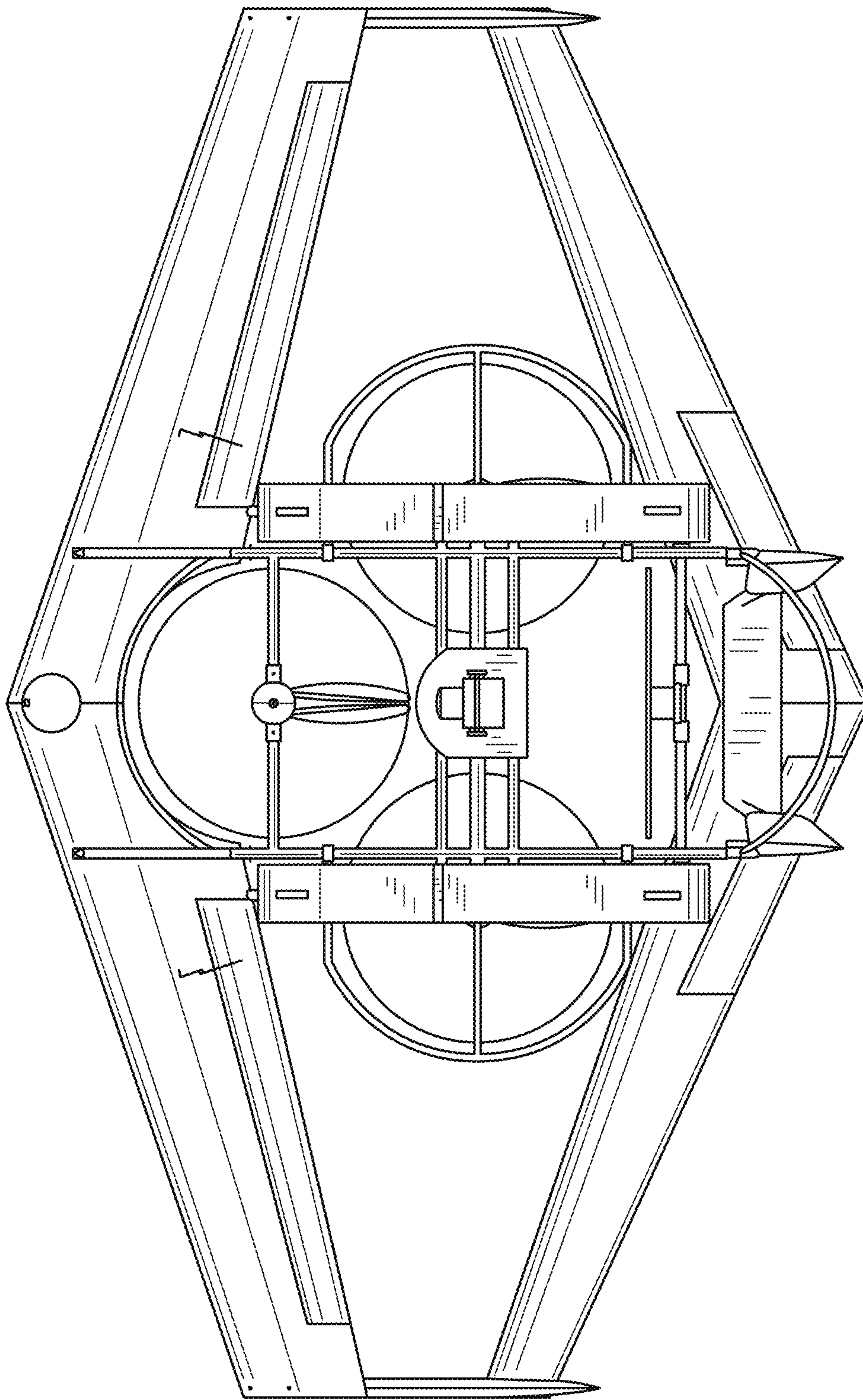


FIG.7

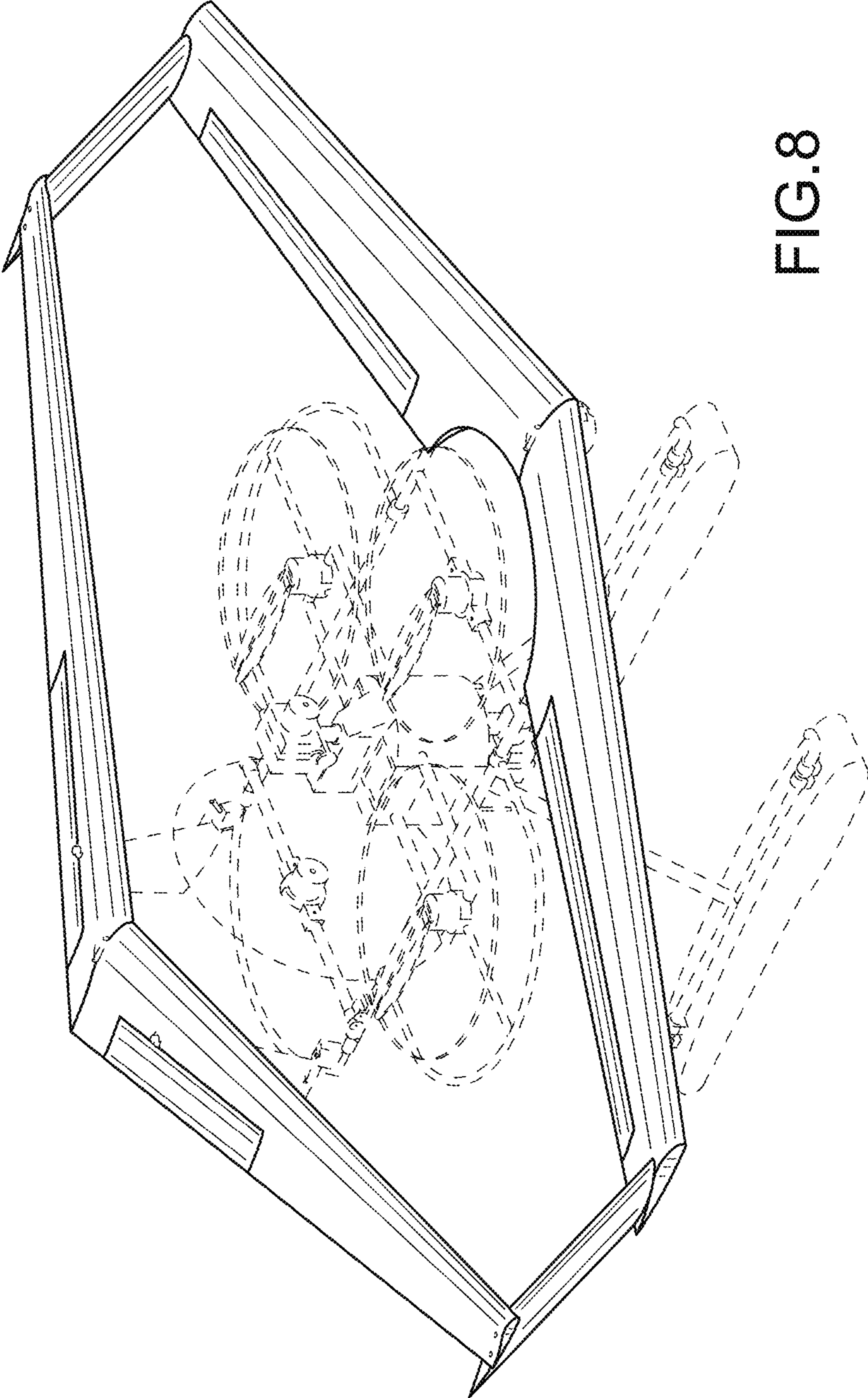


FIG. 8

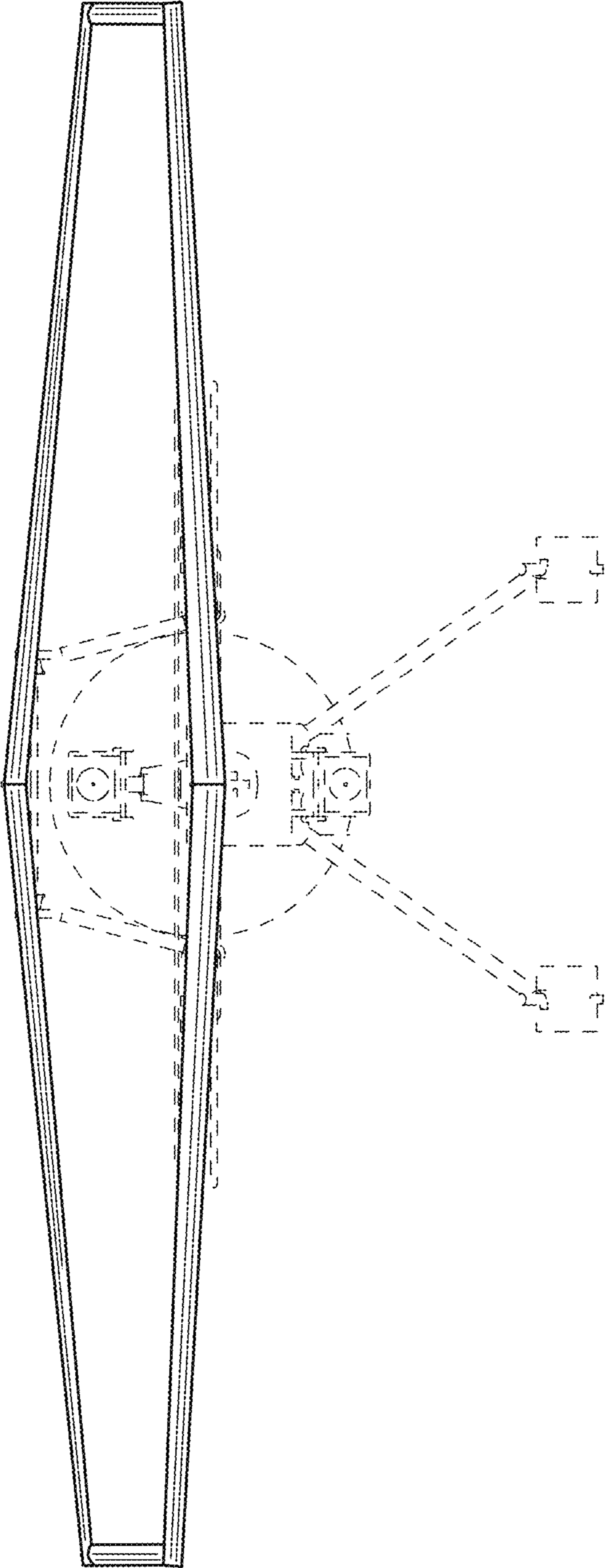


FIG.9

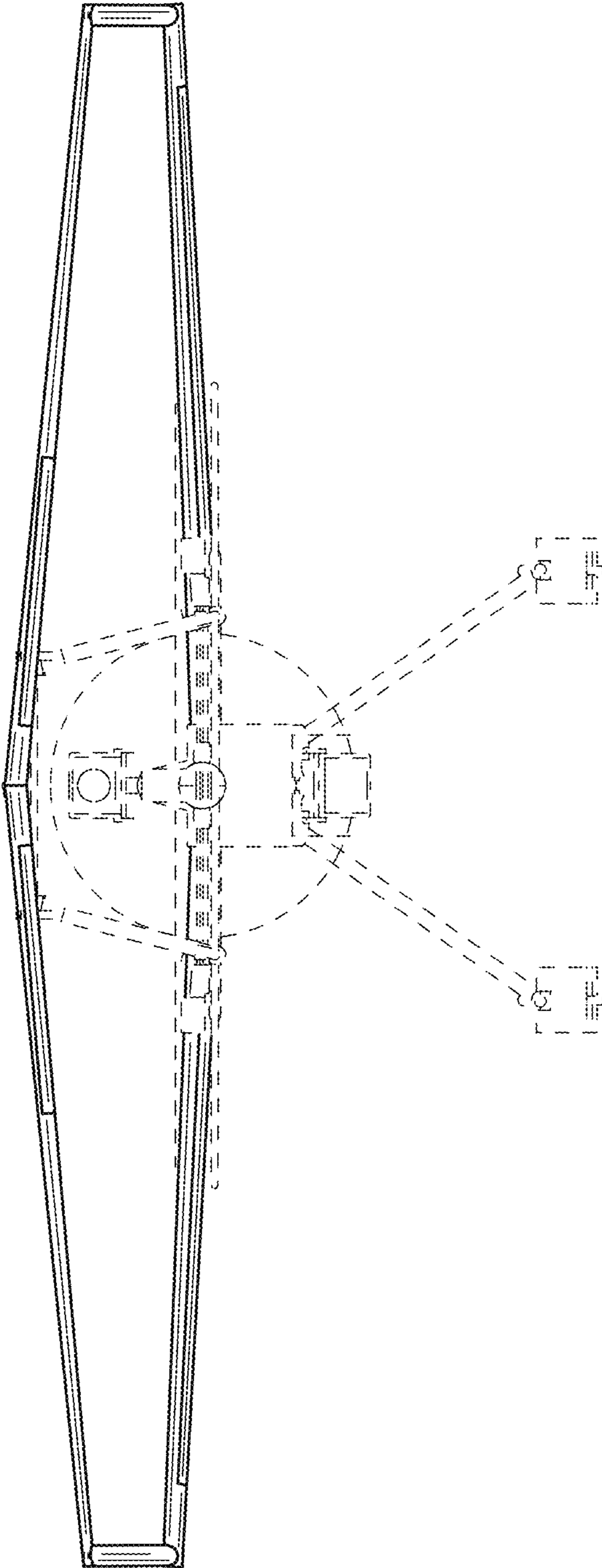


FIG.10

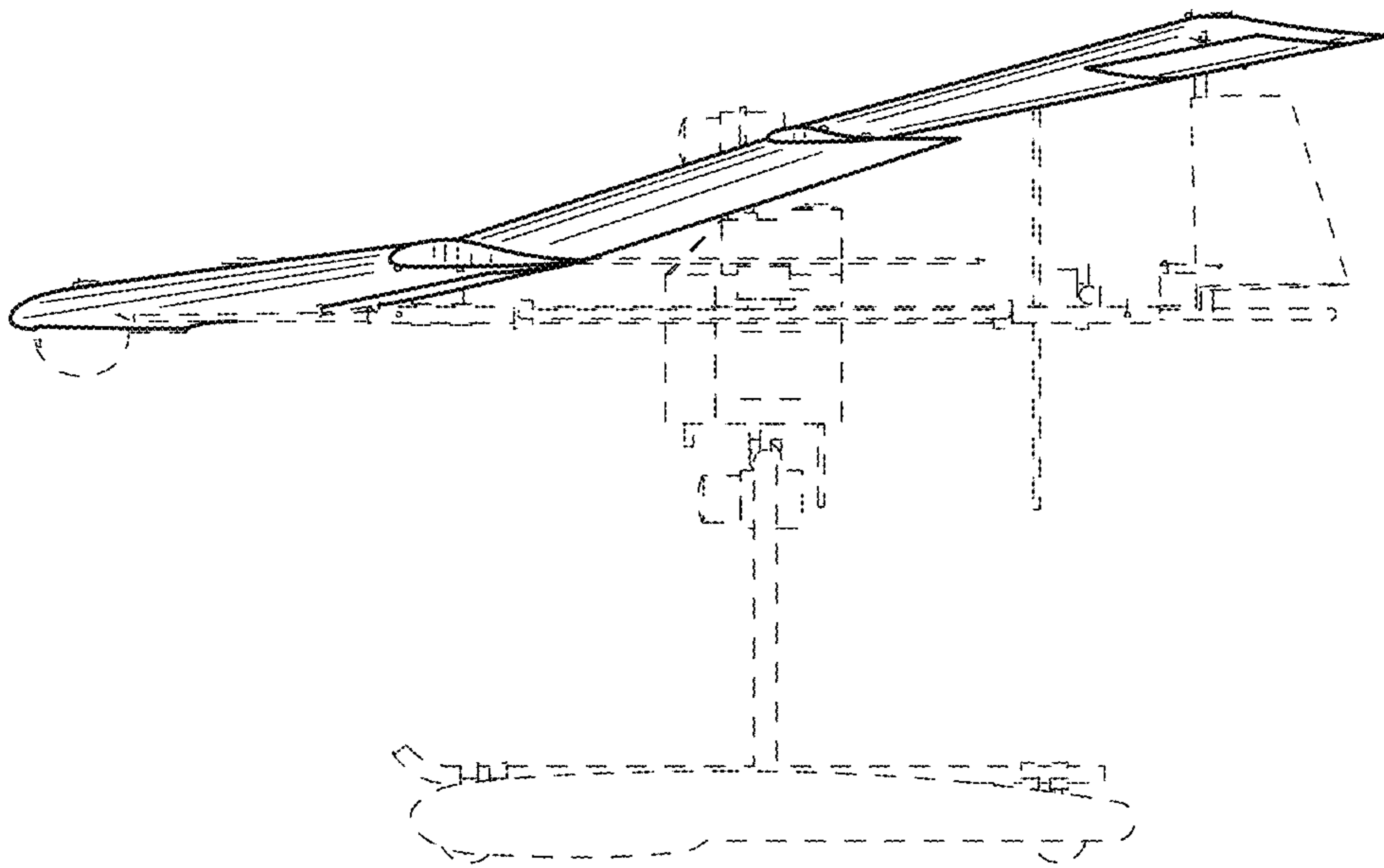


FIG.11

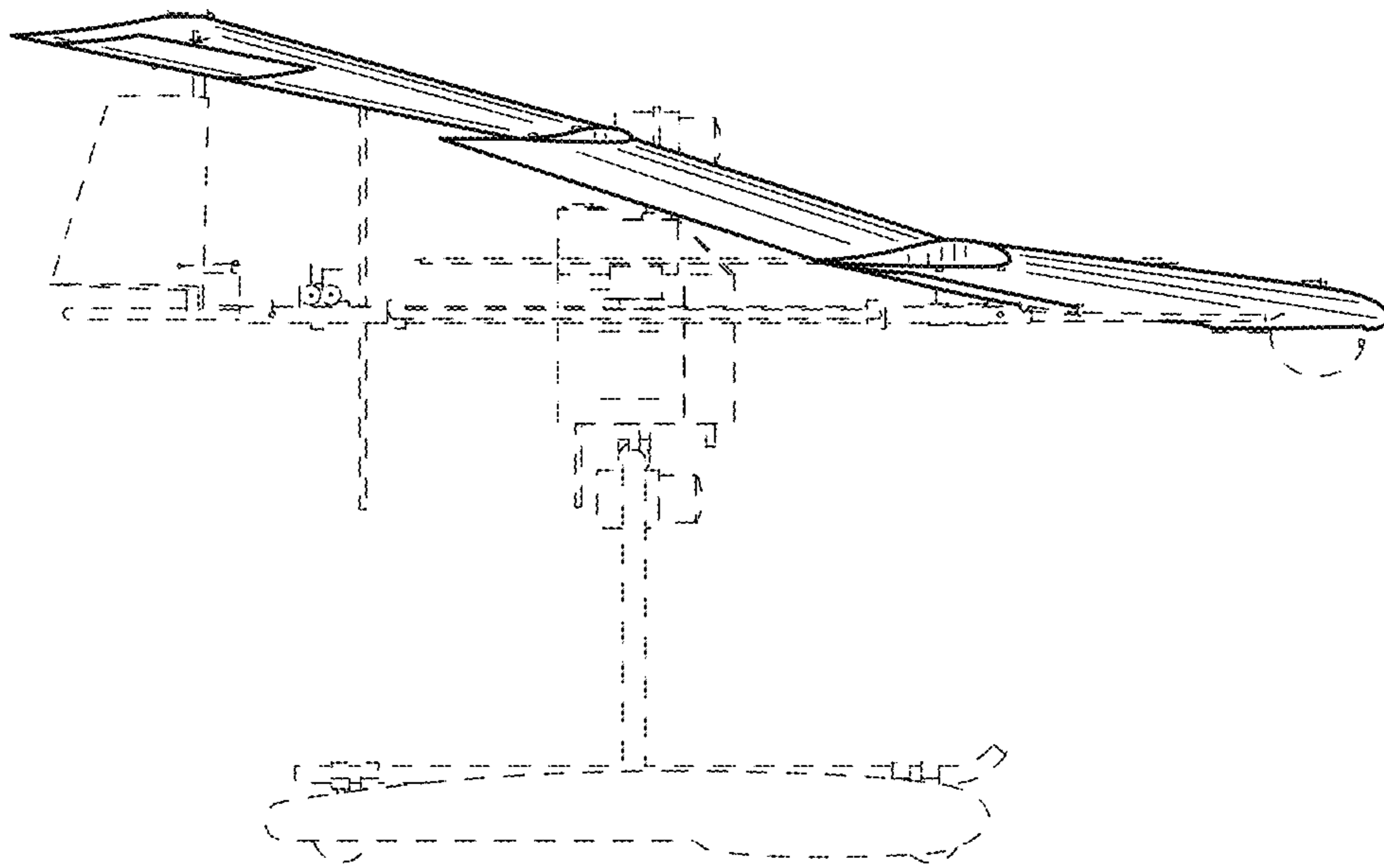


FIG.12

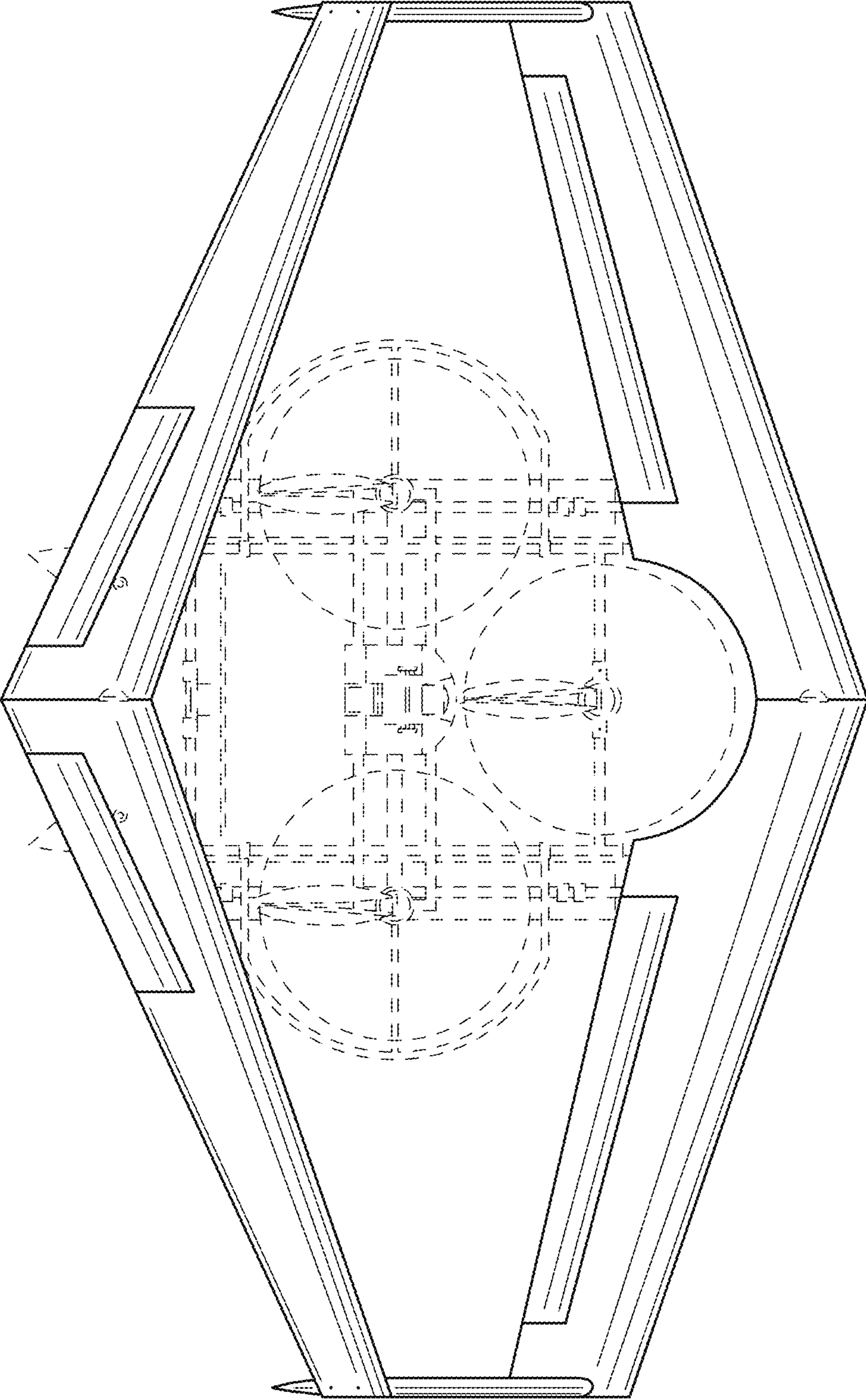


FIG.13

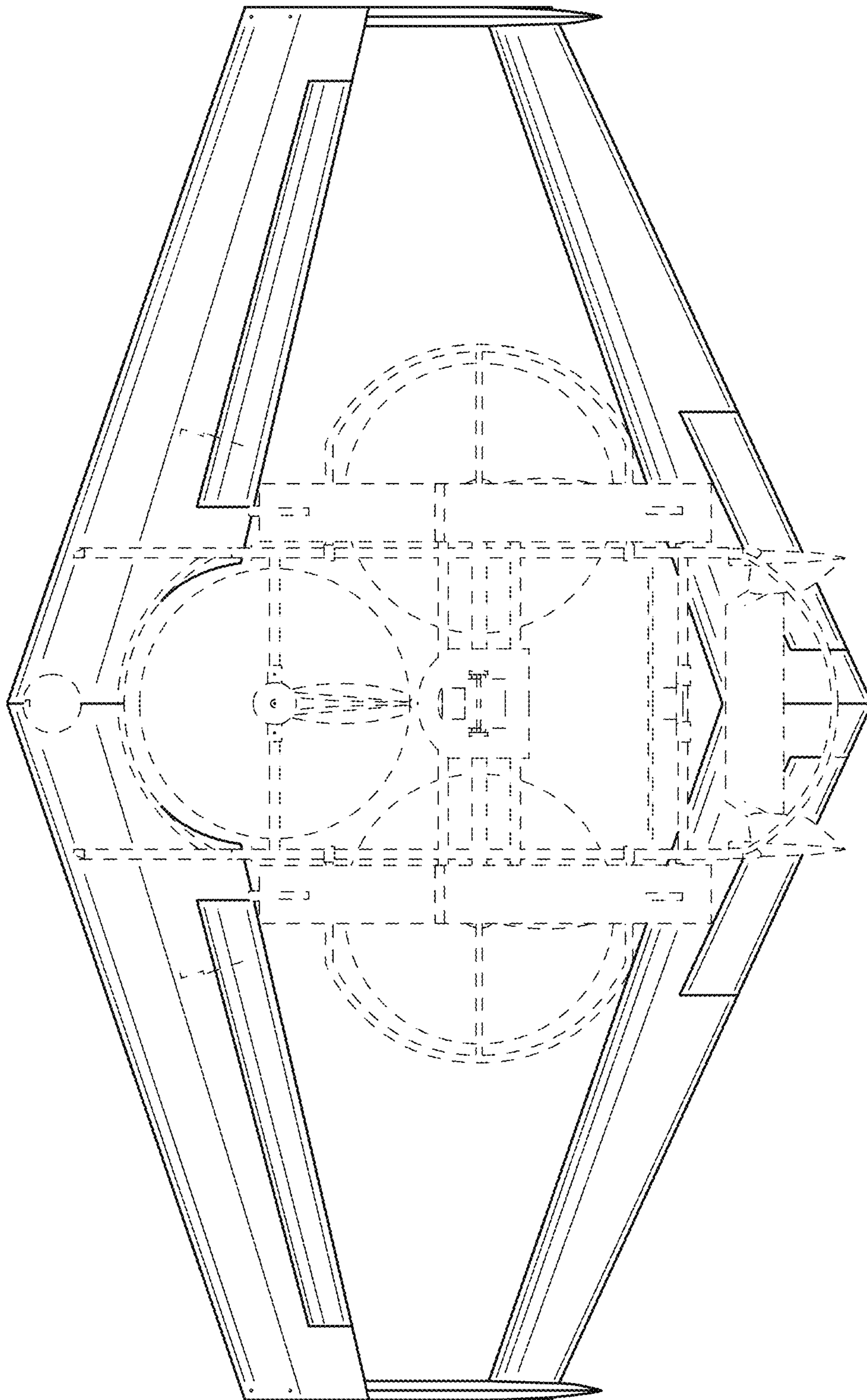


FIG. 14