



US00D817811S

(12) **United States Design Patent**  
**Wang et al.**

(10) **Patent No.:** **US D817,811 S**  
(45) **Date of Patent:** **\*\* May 15, 2018**

(54) **SELF-BALANCED VEHICLE**  
(71) Applicant: **SHENZHEN XIAOBAIMA ENERGY TECH Co., LTD.**, Shenzhen, Guangdong (CN)  
(72) Inventors: **Xiaoming Wang**, Guangdong (CN); **Xiaohong Liu**, Guangdong (CN)  
(73) Assignee: **SHENZHEN XIAOBAIMA ENERGY TECH Co., LTD.**, Shenzhen, Guangdong Province (CN)

D738,256 S \* 9/2015 Ying ..... D12/1  
D739,906 S \* 9/2015 Chen ..... D21/760  
9,376,155 B2 \* 6/2016 Ying ..... B62K 3/007  
9,403,573 B1 \* 8/2016 Mazzei ..... B62D 51/02  
2002/0008361 A1 \* 1/2002 Smith ..... A63C 5/031  
280/14.21  
2005/0242538 A1 \* 11/2005 Hiramatsu ..... A63C 17/004  
280/92  
2013/0238231 A1 \* 9/2013 Chen ..... B62K 11/007  
701/124  
2016/0129963 A1 \* 5/2016 Ying ..... B62K 3/007  
180/6.5  
2016/0325803 A1 \* 11/2016 Waxman ..... B62M 7/12

(\*\*) Term: **15 Years**

(21) Appl. No.: **29/558,150**

(22) Filed: **Mar. 15, 2016**

(51) **LOC (11) Cl.** ..... **12-14**

(52) **U.S. Cl.**  
USPC ..... **D12/1**

(58) **Field of Classification Search**  
USPC ..... D12/1, 5; D21/419, 421, 423, 426, 662, D21/760, 765, 766, 769, 771, 776, 803; 701/124; 280/87.042, 87.021, 87.041, 280/5.23, 5.39, 205, 209, 229, 266, 282, 280/851; 180/181, 5.26, 6.5, 7.1, 8.2, 180/65.8, 907, 218, 65, 13  
CPC .... B62K 3/007; B62K 17/00; B62K 2202/00; B62D 51/001; B62D 51/02; B62D 61/00; A63C 17/0033; A63C 17/01; A63C 17/016; A63C 2203/40; A63C 17/12  
See application file for complete search history.

(56) **References Cited**

**U.S. PATENT DOCUMENTS**

8,738,278 B2 \* 5/2014 Chen ..... B62K 11/007  
180/218  
D737,723 S \* 9/2015 Ying ..... D12/1

\* cited by examiner

*Primary Examiner* — T. Chase Nelson  
*Assistant Examiner* — Ania Aman

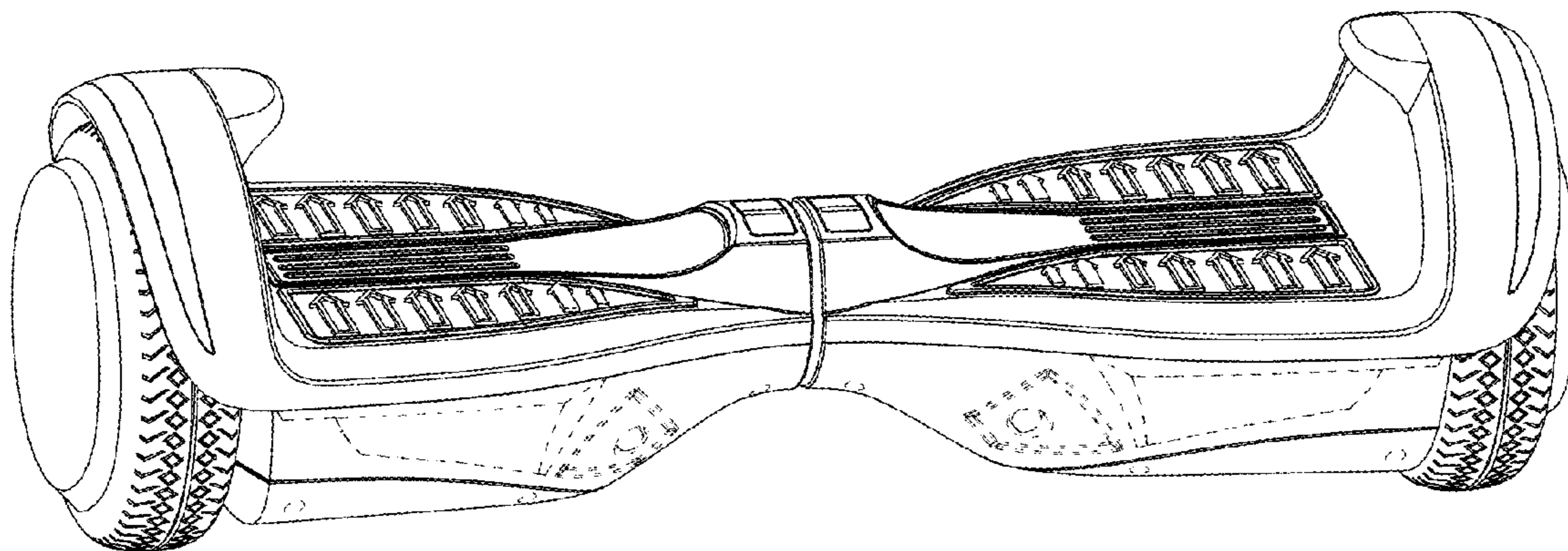
(57) **CLAIM**

The ornamental design for a self-balanced vehicle, as shown and described.

**DESCRIPTION**

FIG. 1 is a perspective view of a self-balanced vehicle, showing my new design.  
FIG. 2 is a front view thereof.  
FIG. 3 is a rear view thereof.  
FIG. 4 is a left view thereof.  
FIG. 5 is a right view thereof.  
FIG. 6 is a top view thereof; and,  
FIG. 7 is a bottom view thereof.  
The broken line shown in the drawings are for the purpose of illustrating portions of the article that form no part of the claimed design.

**1 Claim, 2 Drawing Sheets**



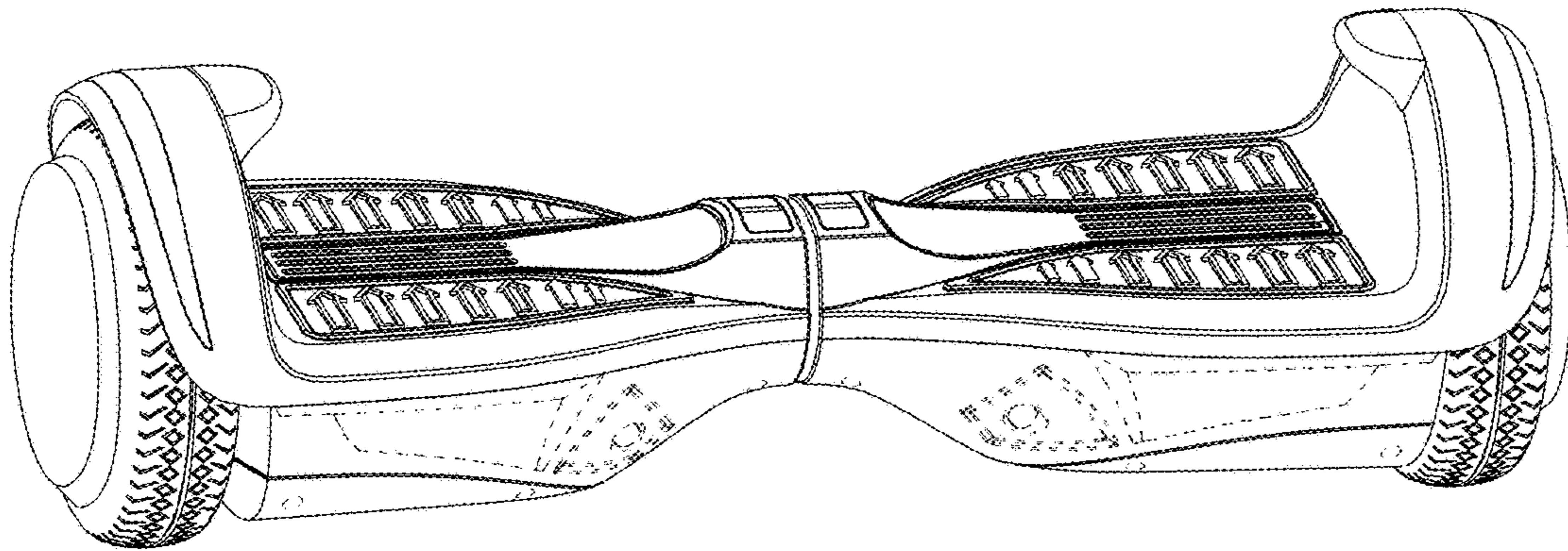


Fig. 1

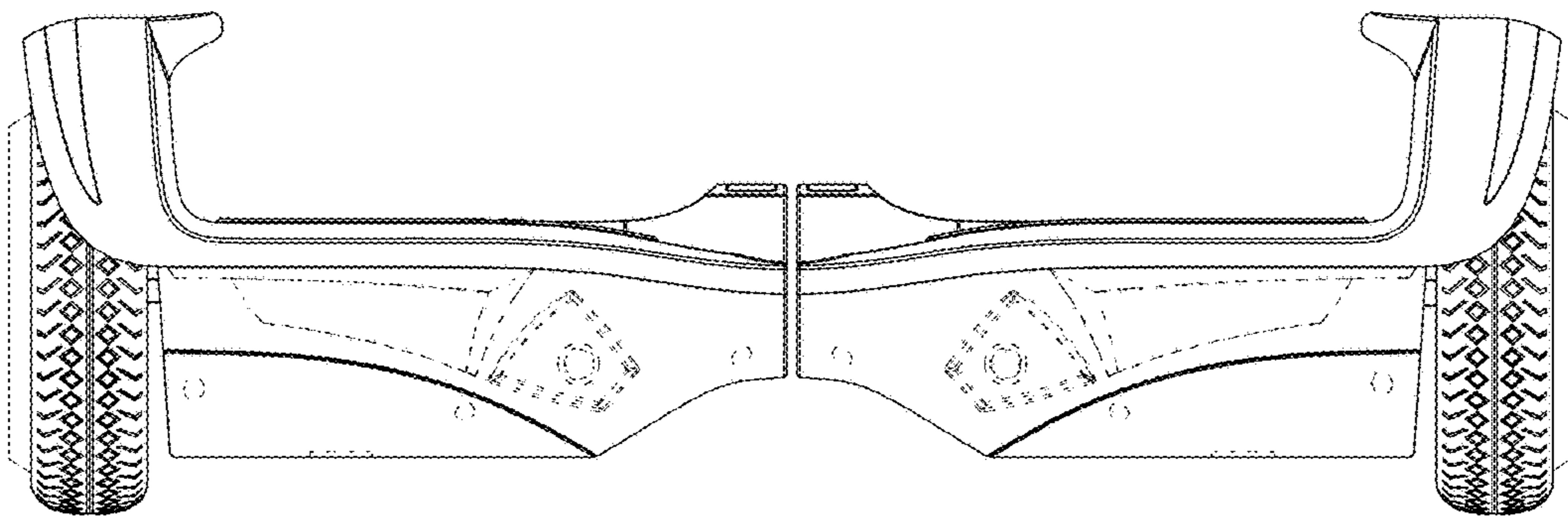


Fig. 2

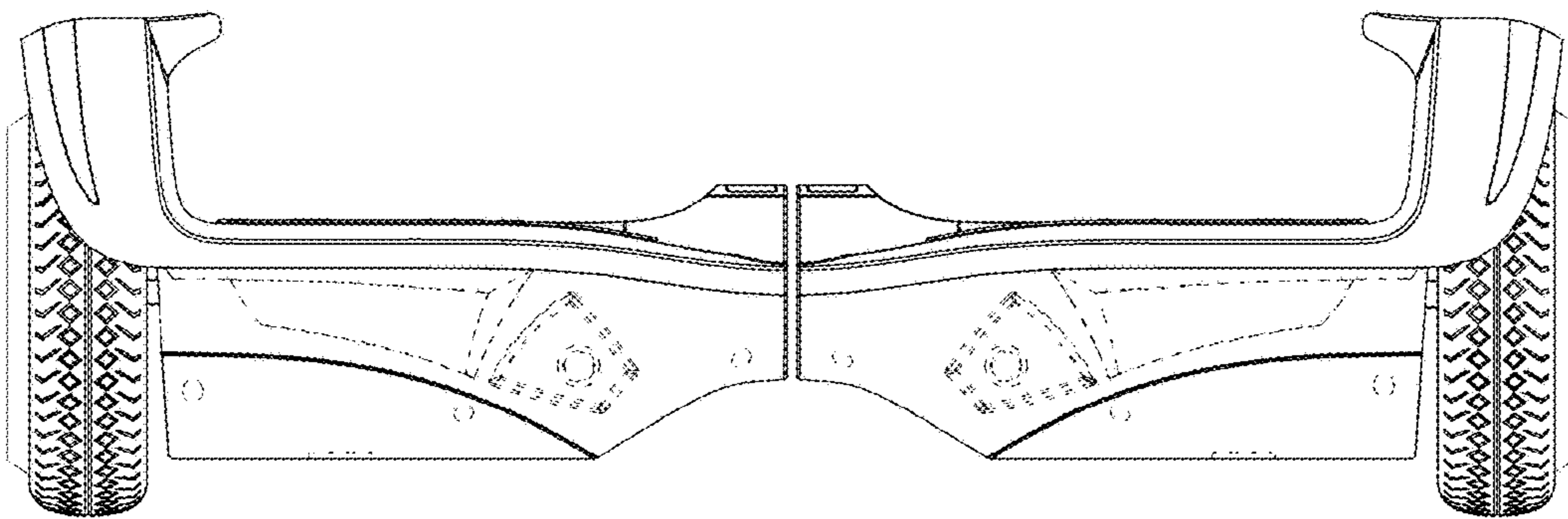


Fig. 3



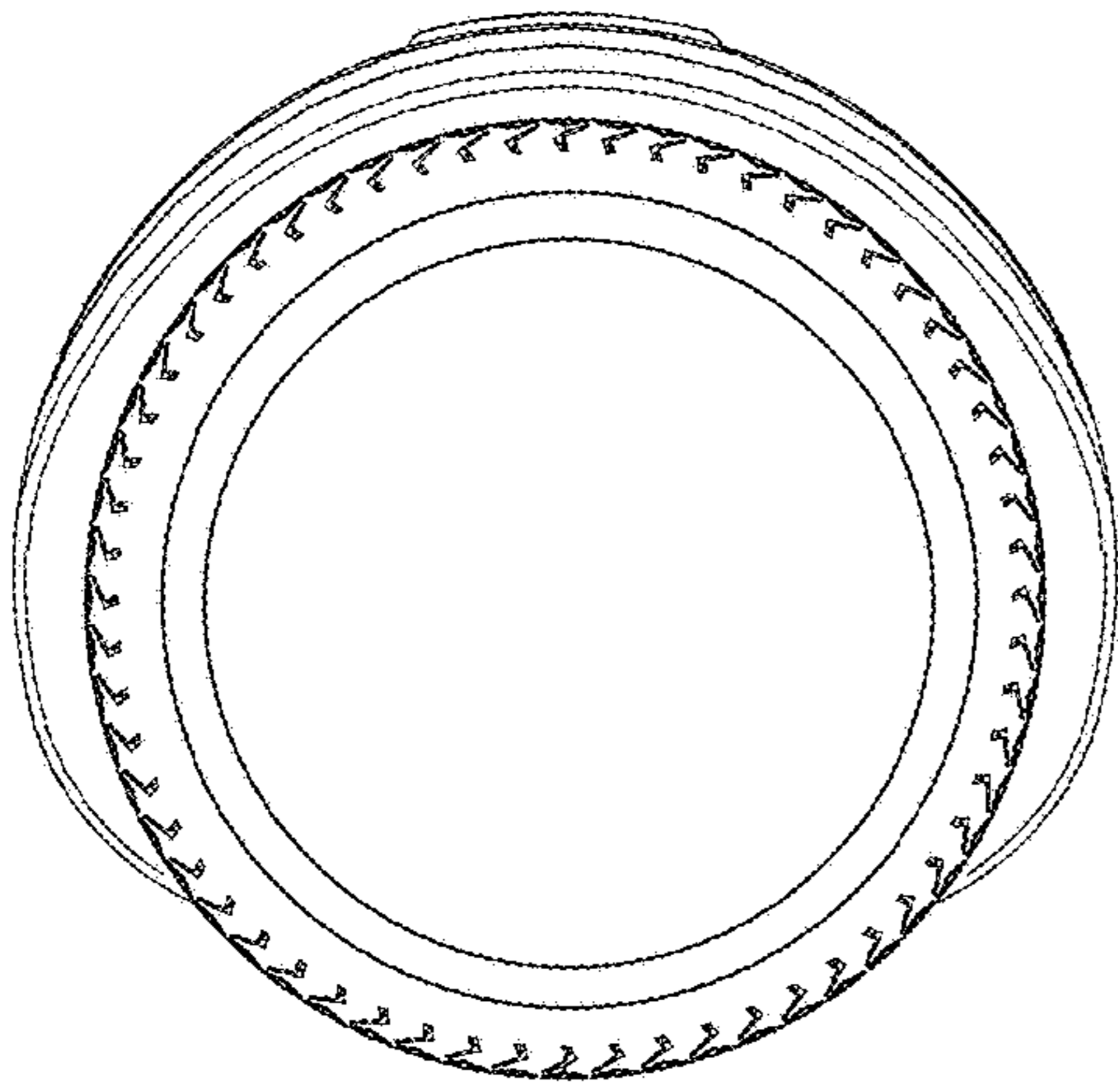


Fig. 4

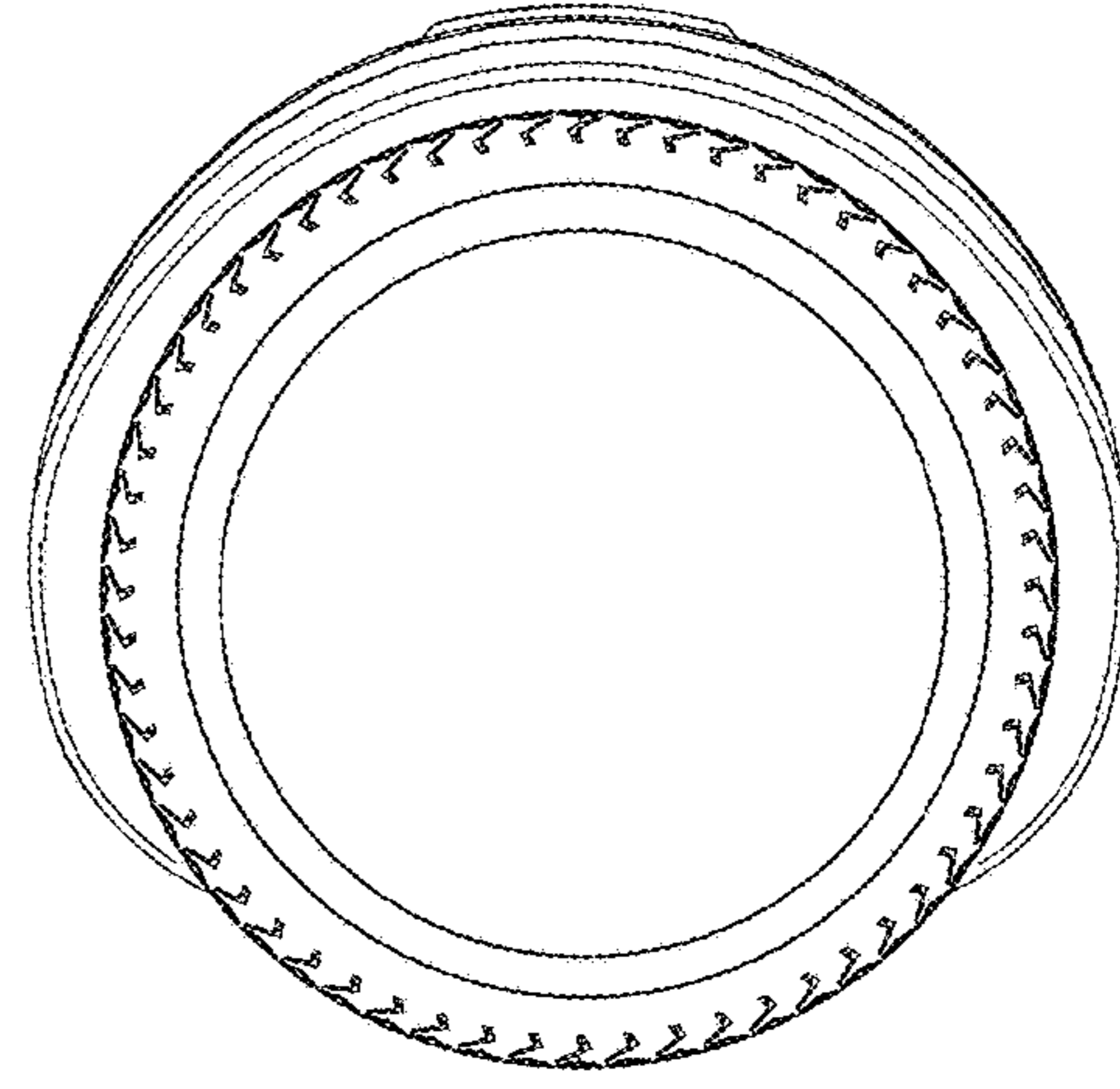


Fig. 5

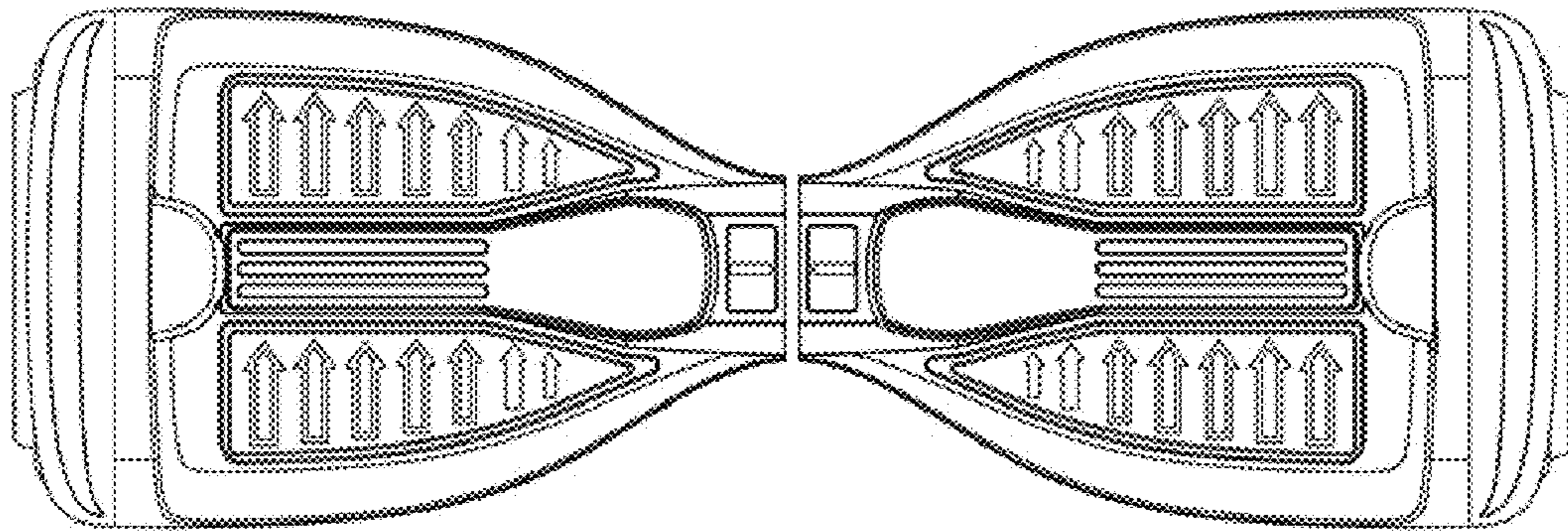


Fig. 6

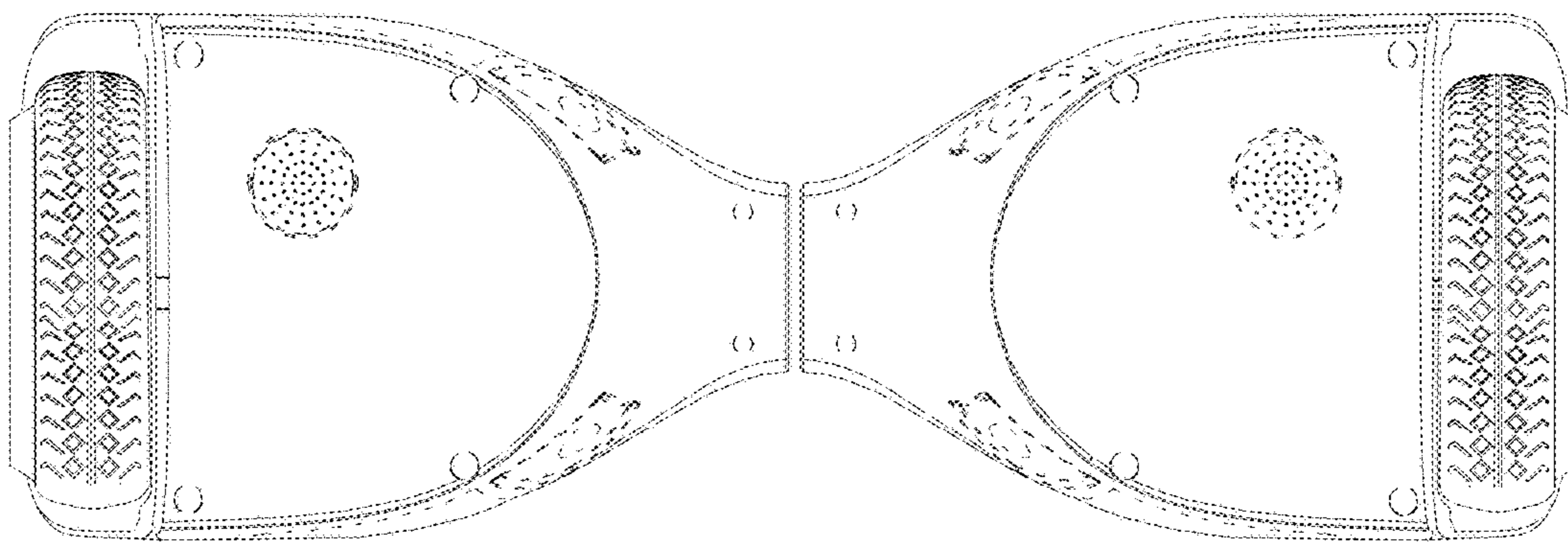


Fig. 7