



US00D817810S

(12) **United States Design Patent**  
**Chen**

(10) **Patent No.:** **US D817,810 S**  
(45) **Date of Patent:** **\*\* May 15, 2018**

(54) **SNAP FASTENER**

(71) Applicant: **Duraflex Hong Kong Limited**, Hong Kong (HK)

(72) Inventor: **Te Chien Chen**, Hong Kong (HK)

(73) Assignee: **DURAFLEX HONG KONG LIMITED**, Hong Kong (HK)

(\*\*) Term: **15 Years**

(21) Appl. No.: **29/568,855**

(22) Filed: **Jun. 22, 2016**

(51) **LOC (11) Cl.** ..... **02-07**

(52) **U.S. Cl.**

USPC ..... **D11/220**

(58) **Field of Classification Search**

USPC ..... D11/220

CPC ..... A44B 17/0035; A44B 17/0041; A44B 17/0076; A44B 17/0029; A44B 17/0011; A44B 17/0094; A44B 17/0082; A44B 17/0005; A44B 17/0088; A44B 17/00; A44B 17/0017; A41F 1/002; A41F 1/08

See application file for complete search history.

(56) **References Cited**

**U.S. PATENT DOCUMENTS**

D27,536 S *	8/1897	Richardson	.....	24/695
D27,537 S *	8/1897	Richardson	.....	24/695
D27,538 S *	8/1897	Richardson	.....	D11/220
D27,865 S *	11/1897	Richardson	.....	D11/220
D29,448 S *	10/1898	Pringle	.....	D11/220
993,518 A *	5/1911	Greenebaum	.....	F16B 37/14 24/694

(Continued)

**OTHER PUBLICATIONS**

Boat snap fastener LOXX big head, posted at nauticexpo.com, posting date not given, [online], [site visited Aug. 3, 2017]. Avail-

able from Internet, URL: <http://www.nauticexpo.com/prod/schaeffertecgmbh/product34155407451.html>.\*

(Continued)

*Primary Examiner* — George D. Kirschbaum

*Assistant Examiner* — Maria J Edwards

(57) **CLAIM**

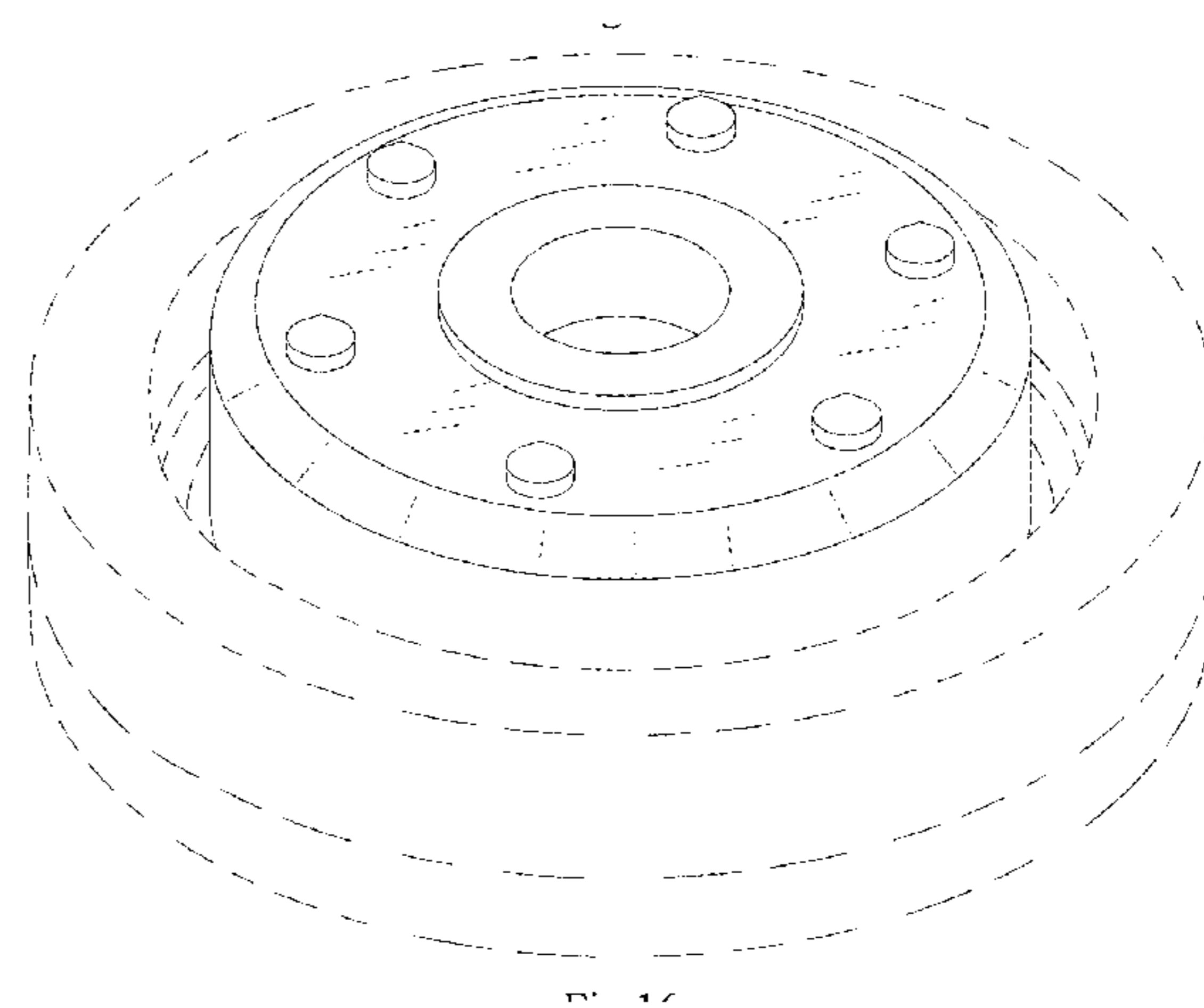
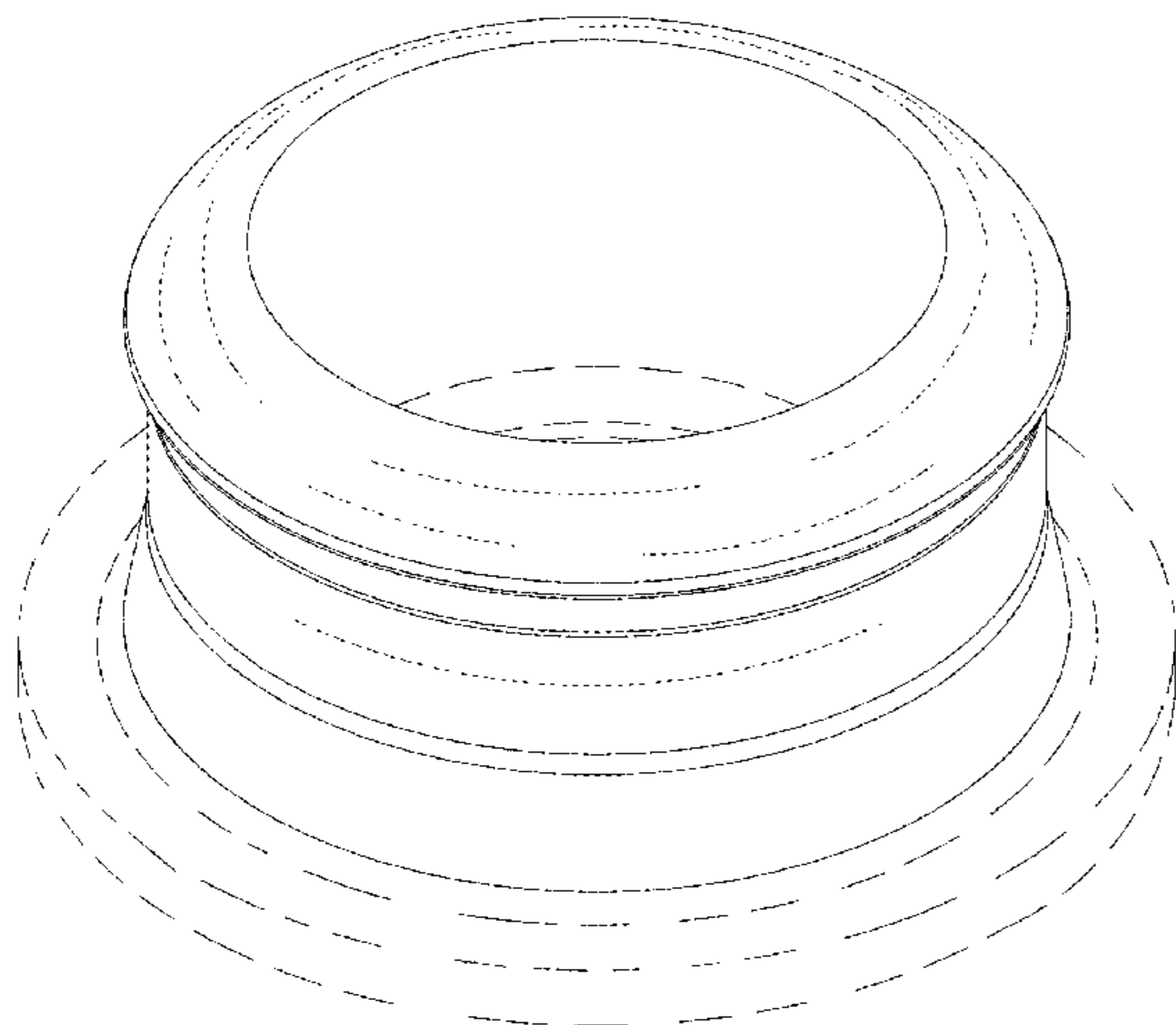
The ornamental design for a snap fastener, as shown and described.

**DESCRIPTION**

FIG. 1 is a front elevational view of a first component of a snap fastener shown separately for ease of illustration; FIG. 2 is a rear elevational view thereof; FIG. 3 is a left side view thereof; FIG. 4 is a right side view thereof; FIG. 5 is a top plan view thereof; FIG. 6 is a bottom plan view thereof; FIG. 7 is a front perspective view thereof; FIG. 8 is a rear perspective view thereof; FIG. 9 is a front elevational view of a second component of the snap fastener shown separately for ease of illustration; FIG. 10 is a rear elevational view of FIG. 9; FIG. 11 is a left side view of FIG. 9; FIG. 12 is a right side view of FIG. 9; FIG. 13 is a top plan view of FIG. 9; FIG. 14 is a bottom plan view of FIG. 9; FIG. 15 is a rear perspective view of FIG. 9; FIG. 16 is a front perspective view of FIG. 9; FIG. 17 is a perspective view of the snap fastener with the first and the second components combined together, the perspective being of the front of the second component; and, FIG. 18 is a perspective view of FIG. 17, the perspective being of the front of the first component.

The broken lines in the drawings illustrate portions of the snap fastener which form no part of the claimed design.

**1 Claim, 14 Drawing Sheets**



(56)

**References Cited**

U.S. PATENT DOCUMENTS

1,268,349 A \* 6/1918 Hecht ..... A44B 17/0011  
24/667  
1,283,081 A \* 10/1918 Cohn et al. .... A44B 17/0011  
24/662  
2,440,684 A \* 5/1948 Huelster ..... A44B 17/0052  
24/677  
3,614,815 A \* 10/1971 Nysten ..... A44B 17/0029  
24/662  
D301,567 S \* 6/1989 Burke ..... D11/220  
D303,641 S \* 9/1989 Aoki ..... D11/220  
D319,201 S \* 8/1991 Aoki ..... D11/220  
D477,246 S \* 7/2003 Takeda ..... D11/220  
D689,395 S \* 9/2013 Chan ..... D11/220  
D728,417 S \* 5/2015 Pferdehirt ..... D11/220  
D728,418 S \* 5/2015 Pferdehirt ..... D11/220  
D728,419 S \* 5/2015 Pferdehirt ..... D11/220  
D728,420 S \* 5/2015 Leung ..... D11/220  
D739,206 S \* 9/2015 Foret ..... D11/220

2009/0293239 A1\* 12/2009 Stumpfl ..... A44B 17/0011  
24/306  
2012/0304427 A1\* 12/2012 Violato ..... A44B 17/0011  
24/662  
2017/0156450 A1\* 6/2017 Hutspiller ..... A44B 17/0041

OTHER PUBLICATIONS

Sew On 6 Hole Snap Button Fasteners, posted at alibaba.com, posting date not given, [online], [site visited Aug. 3, 2017]. Available from Internet, URL: [https://www.alibaba.com/productdetail/Nylonplasticsewonpressbutton\\_60186734653.html](https://www.alibaba.com/productdetail/Nylonplasticsewonpressbutton_60186734653.html).\*

SN15B50 Snap Button, posted at etsy.com, posting date not given, [online], [site visited Aug. 3, 2017]. Available from Internet, URL: <https://www.etsy.com/listing/203297482/sn15b50snapbuttoncap15mmringsocket>.\*

Women coat button brass panel snap fastners, posted at aliexpress.com, posting date not given, [online], [site visited Aug. 3, 2017]. Available from Internet, URL: <https://www.aliexpress.com/item/Womencoatbuttonbrasspanelsnapfastenerscoppersnapbuttonfourpiecebuckleypecottoncoats/32781673108.html>.\*

\* cited by examiner

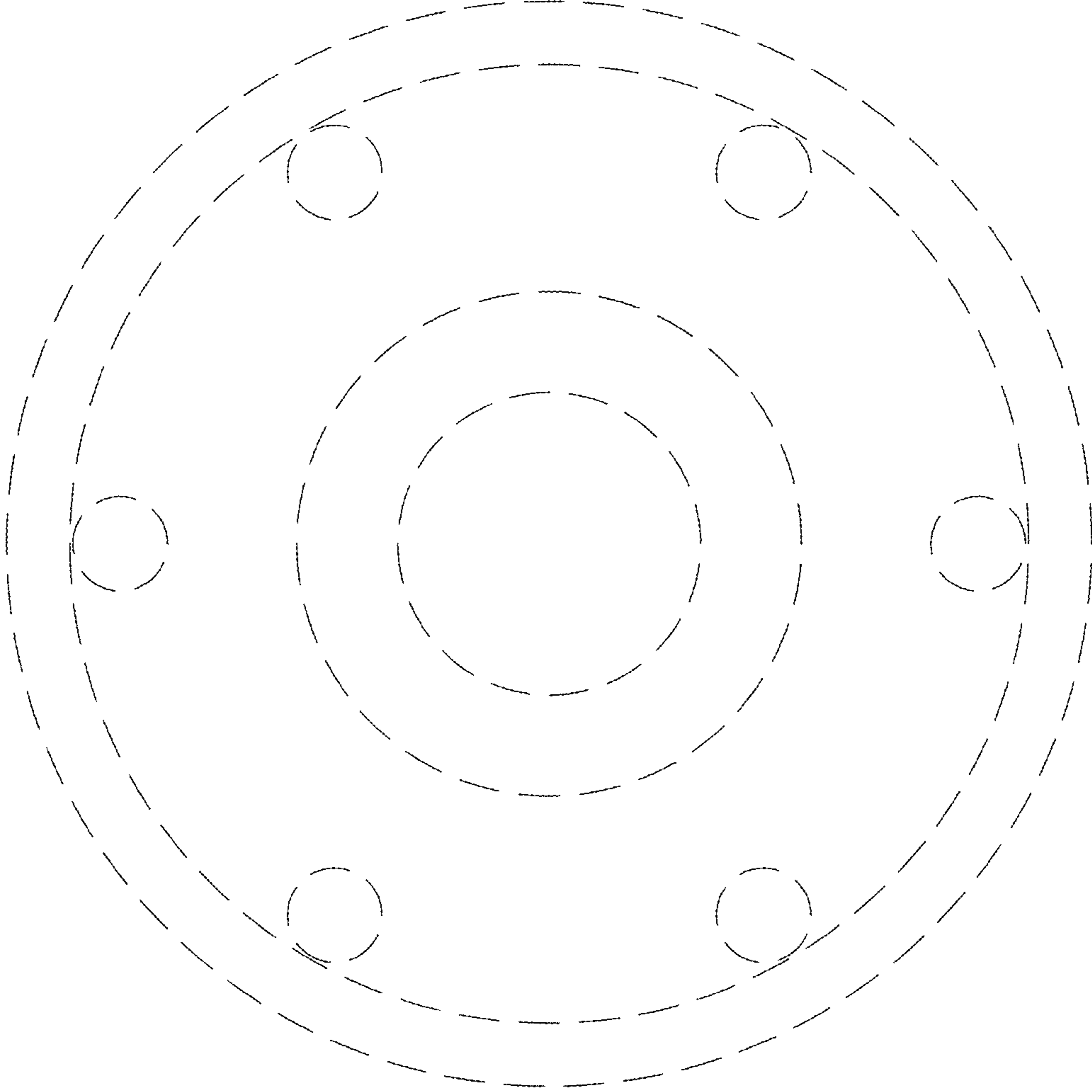


Fig.1

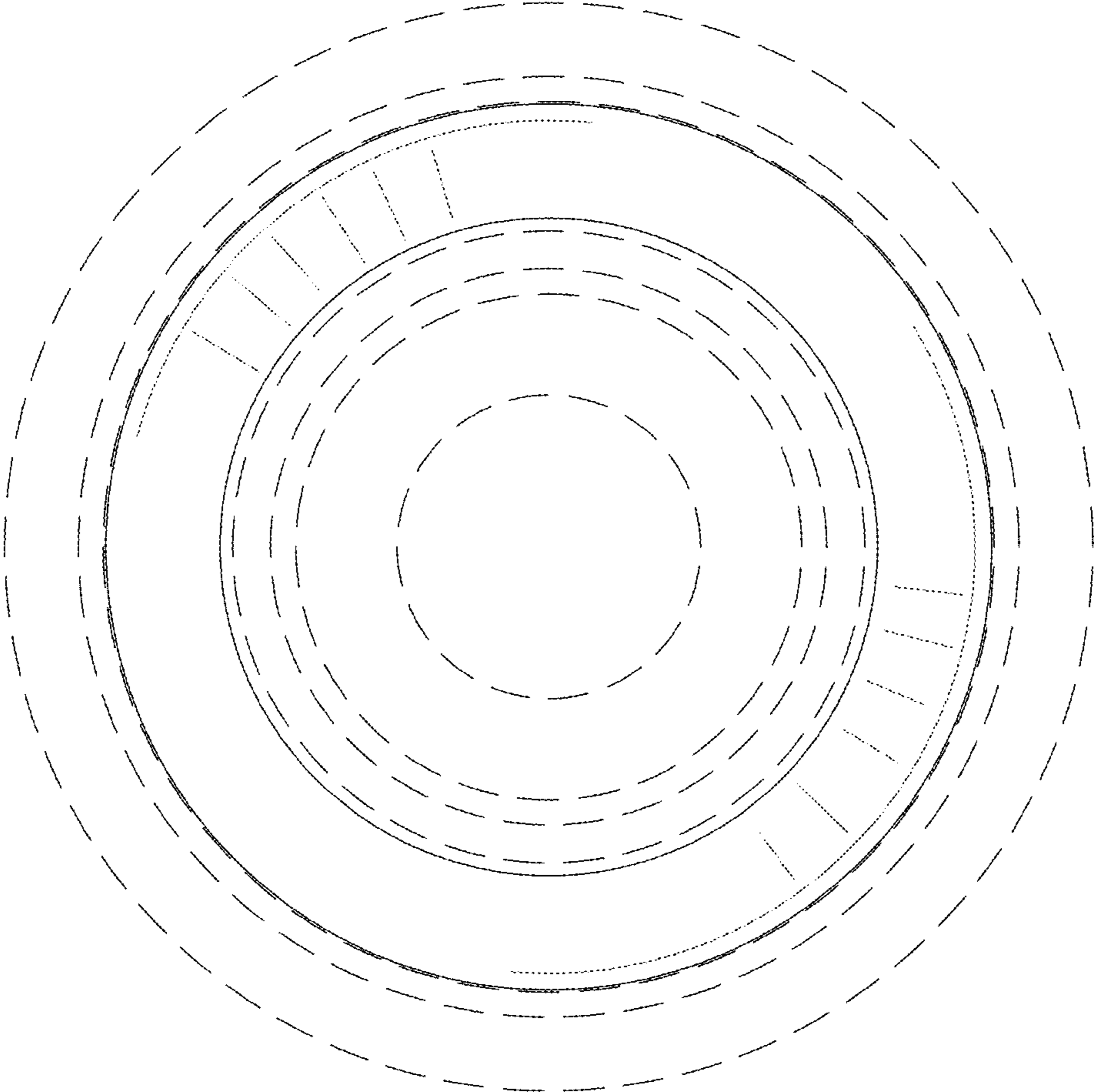


Fig.2

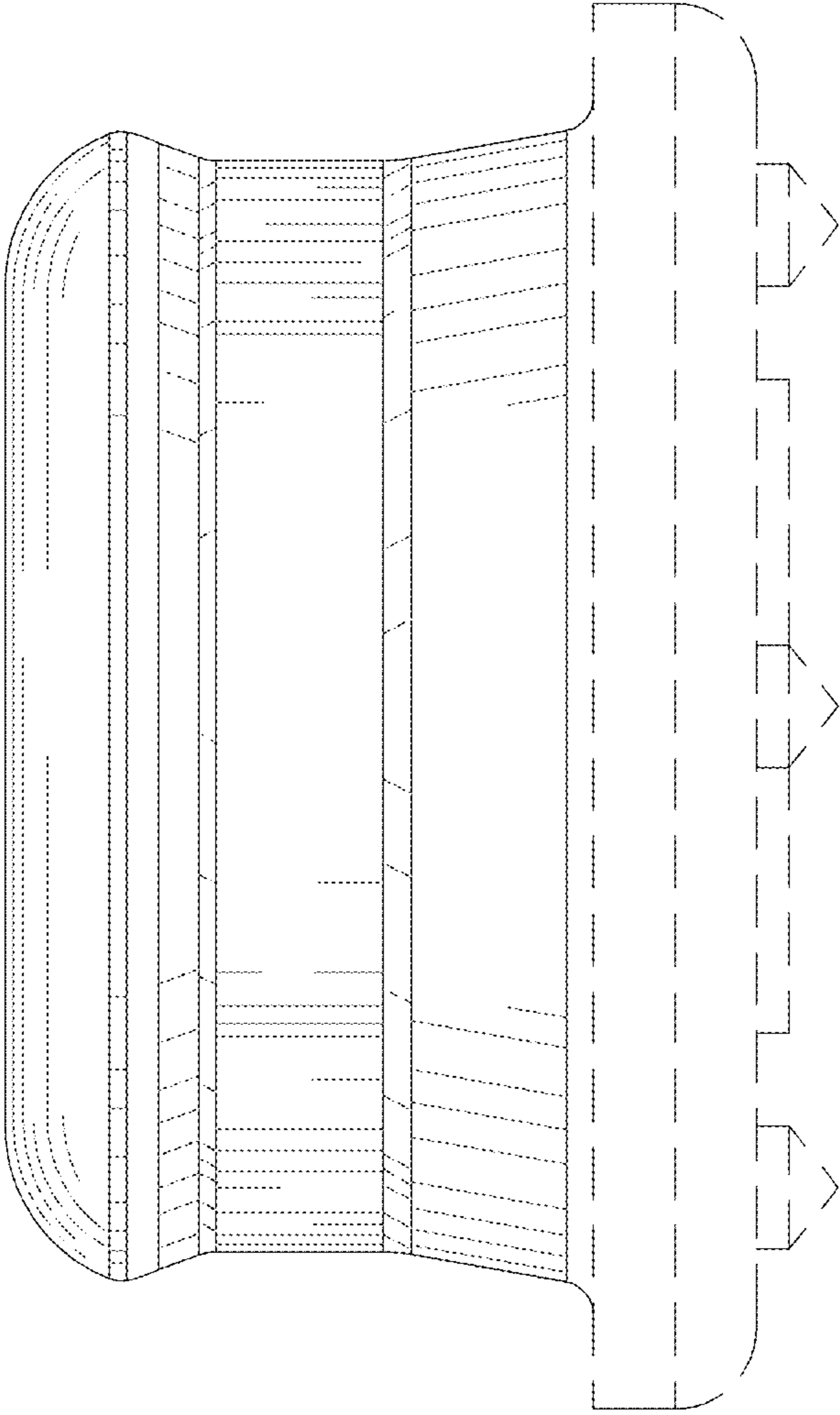


Fig.3

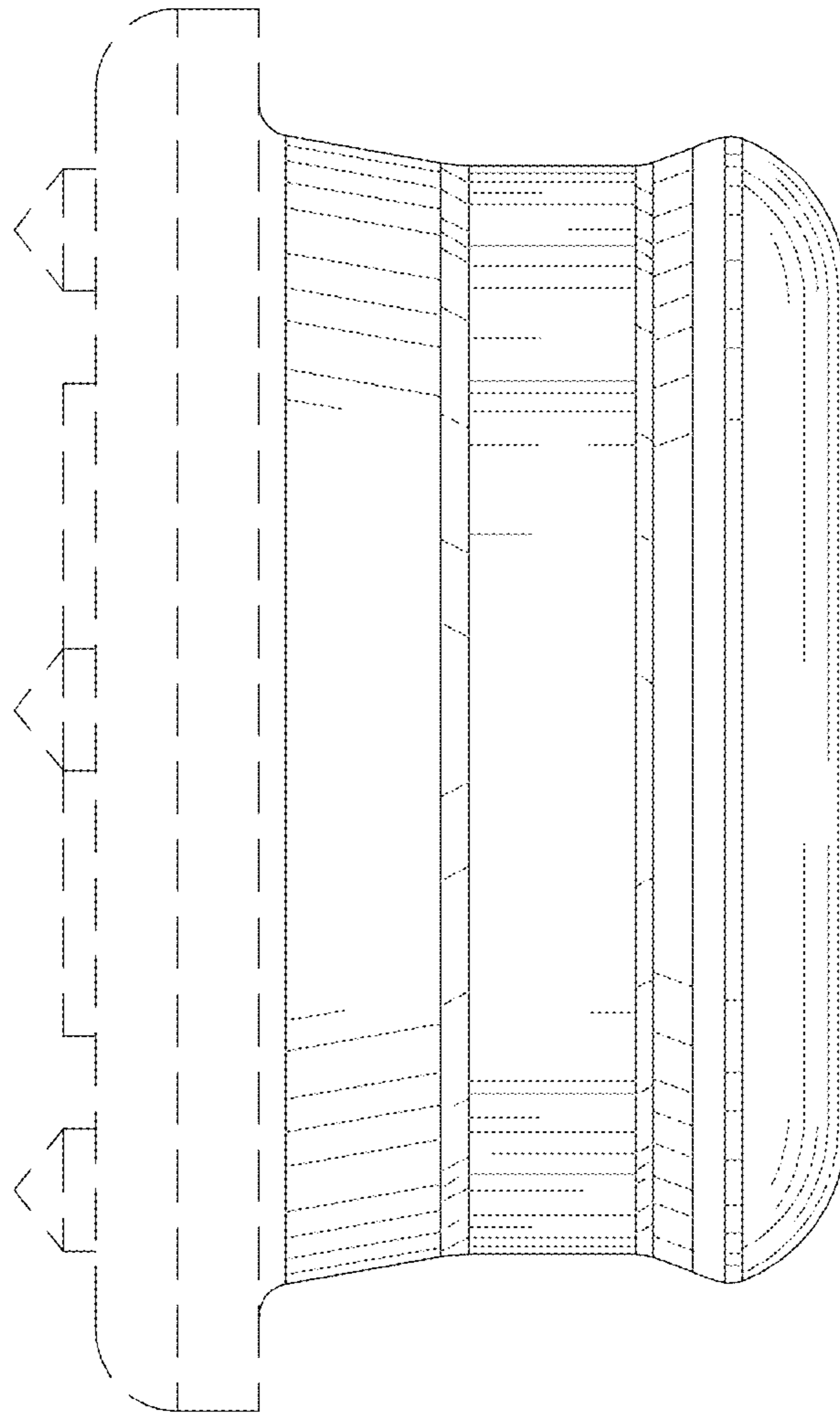


Fig.4

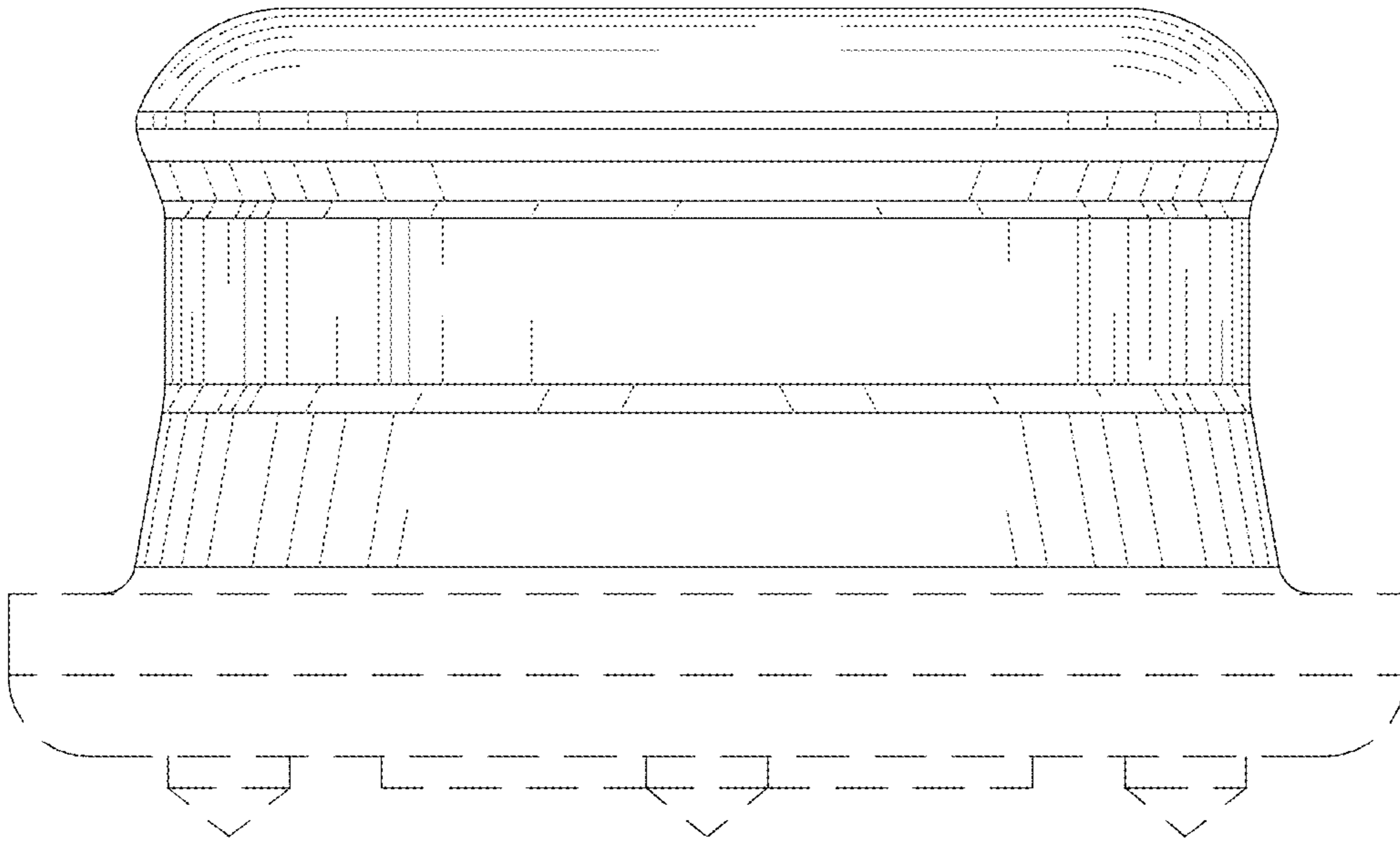


Fig.5

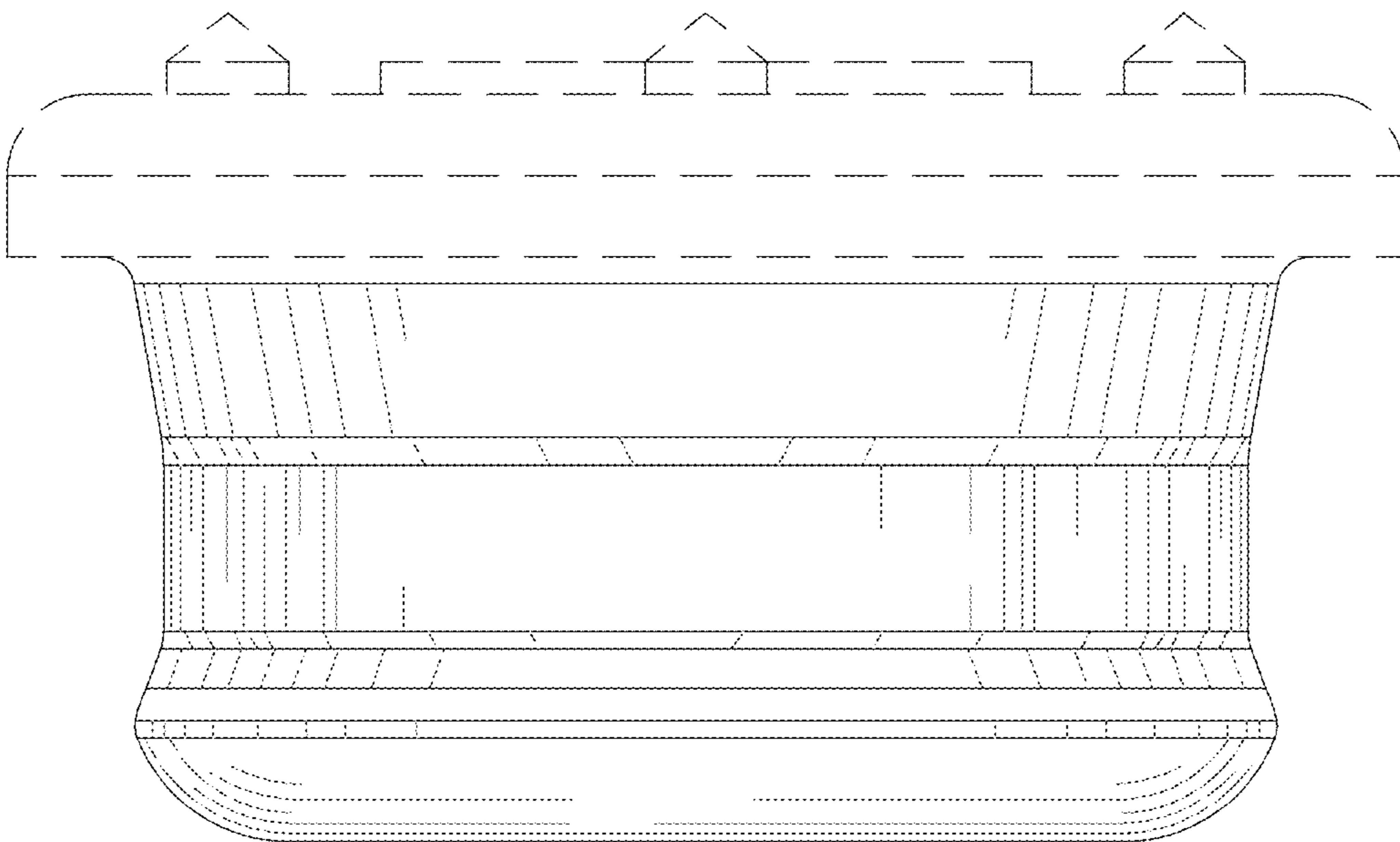


Fig.6

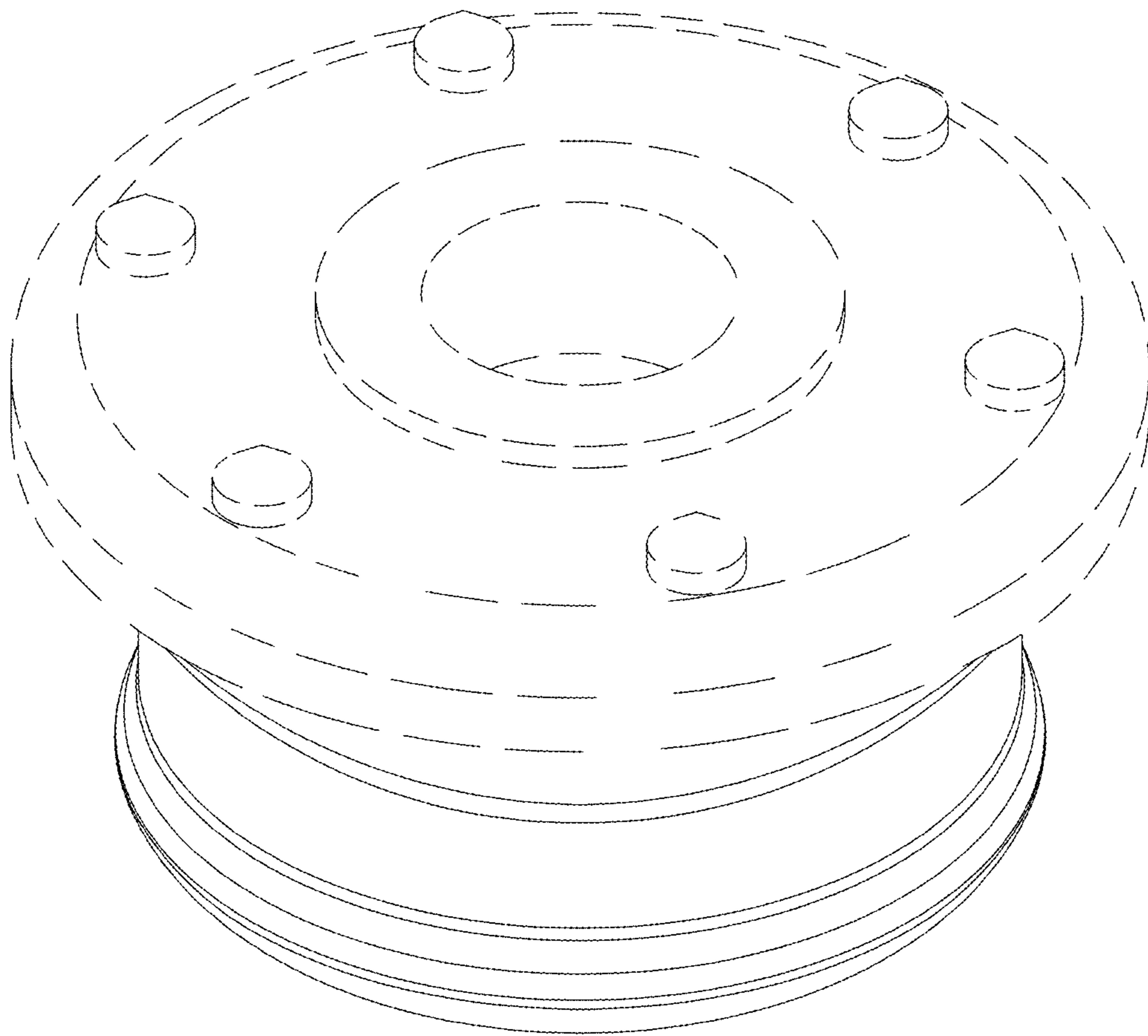


Fig.7



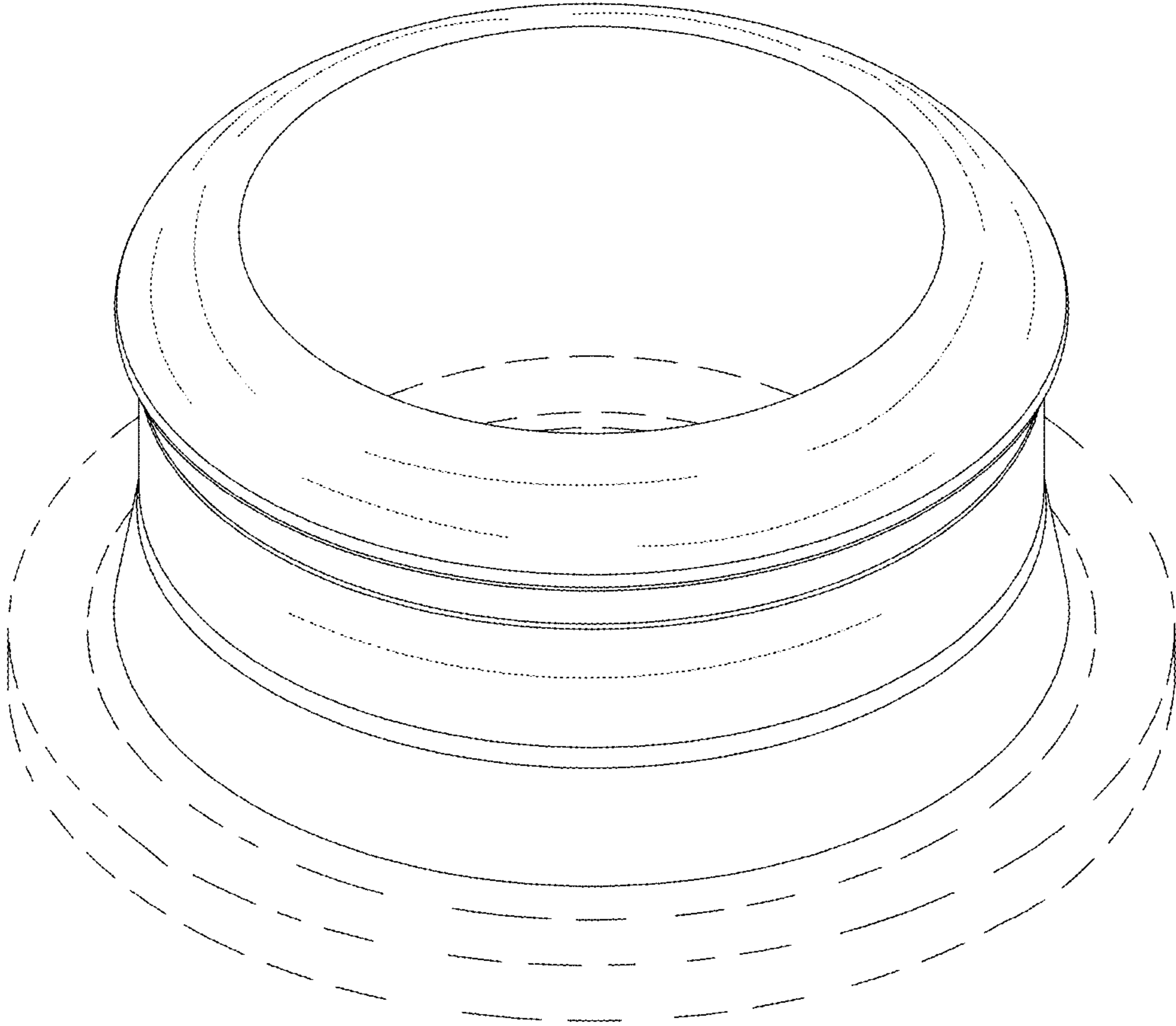


Fig.8

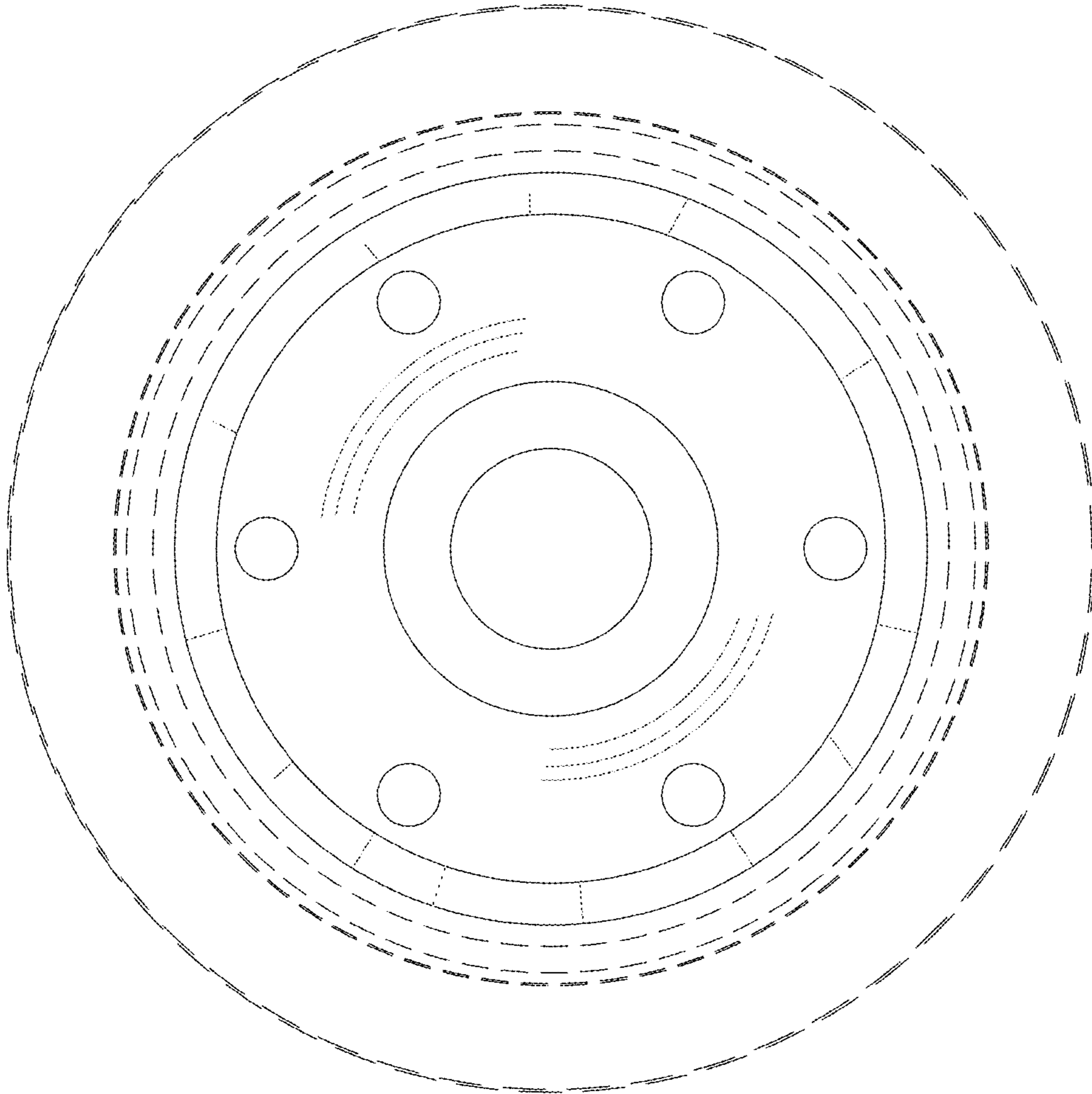


Fig.9

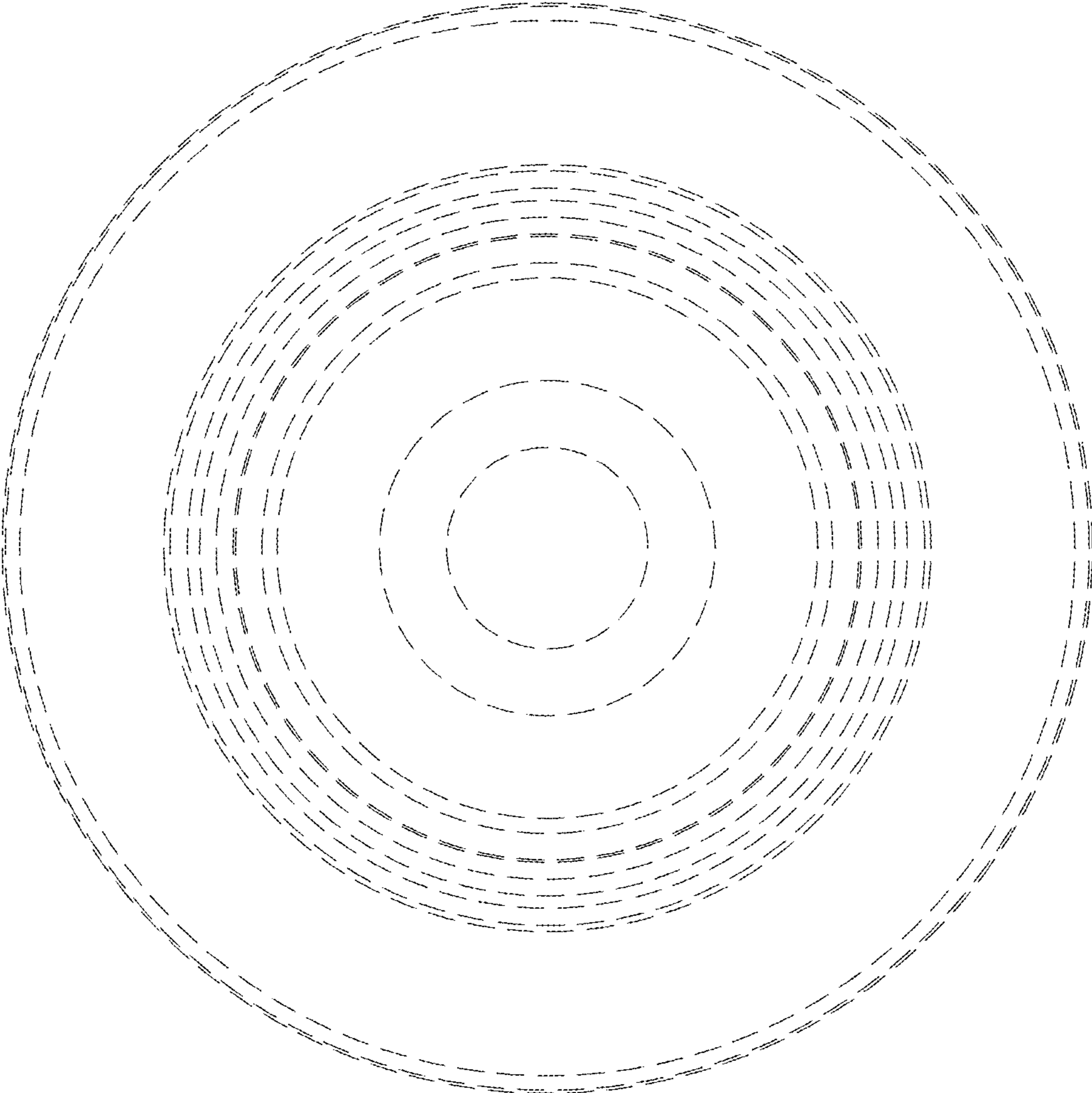


Fig.10

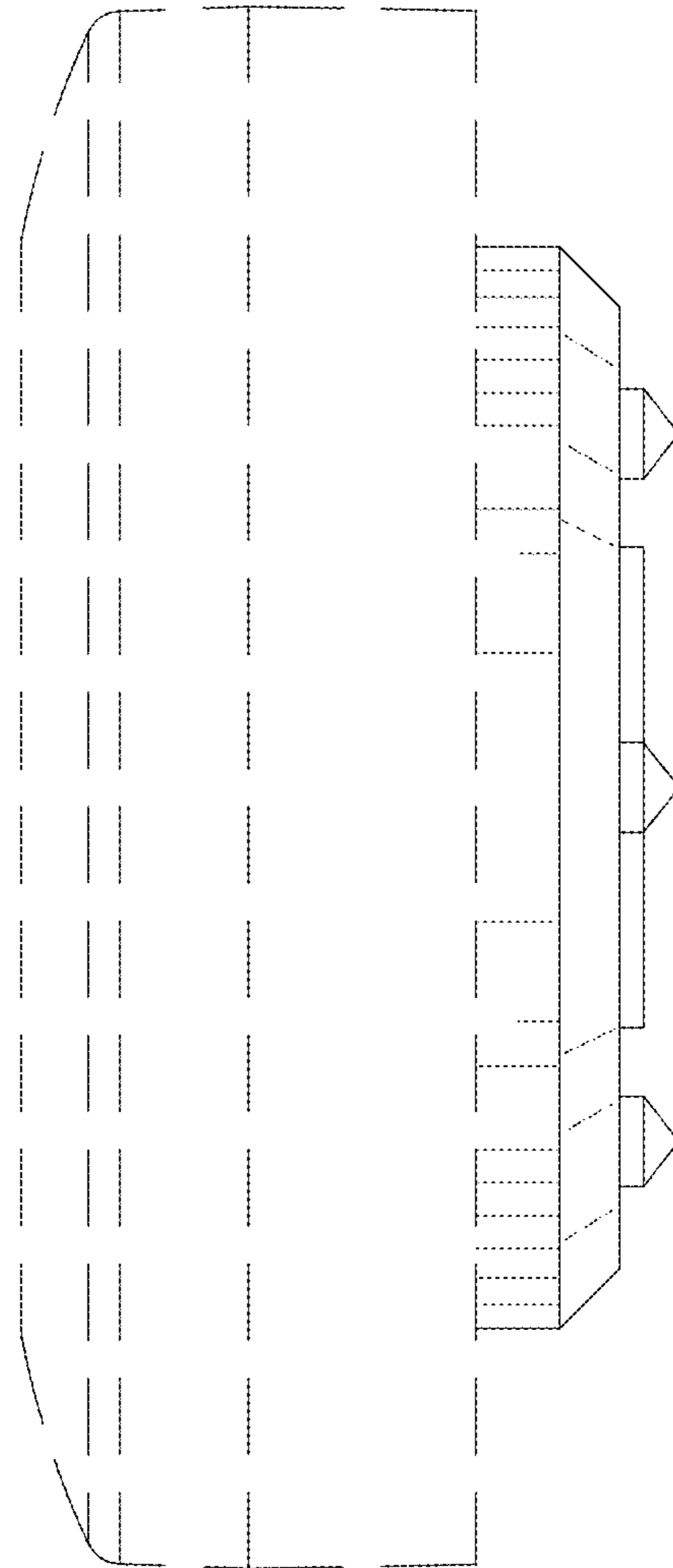


Fig.11

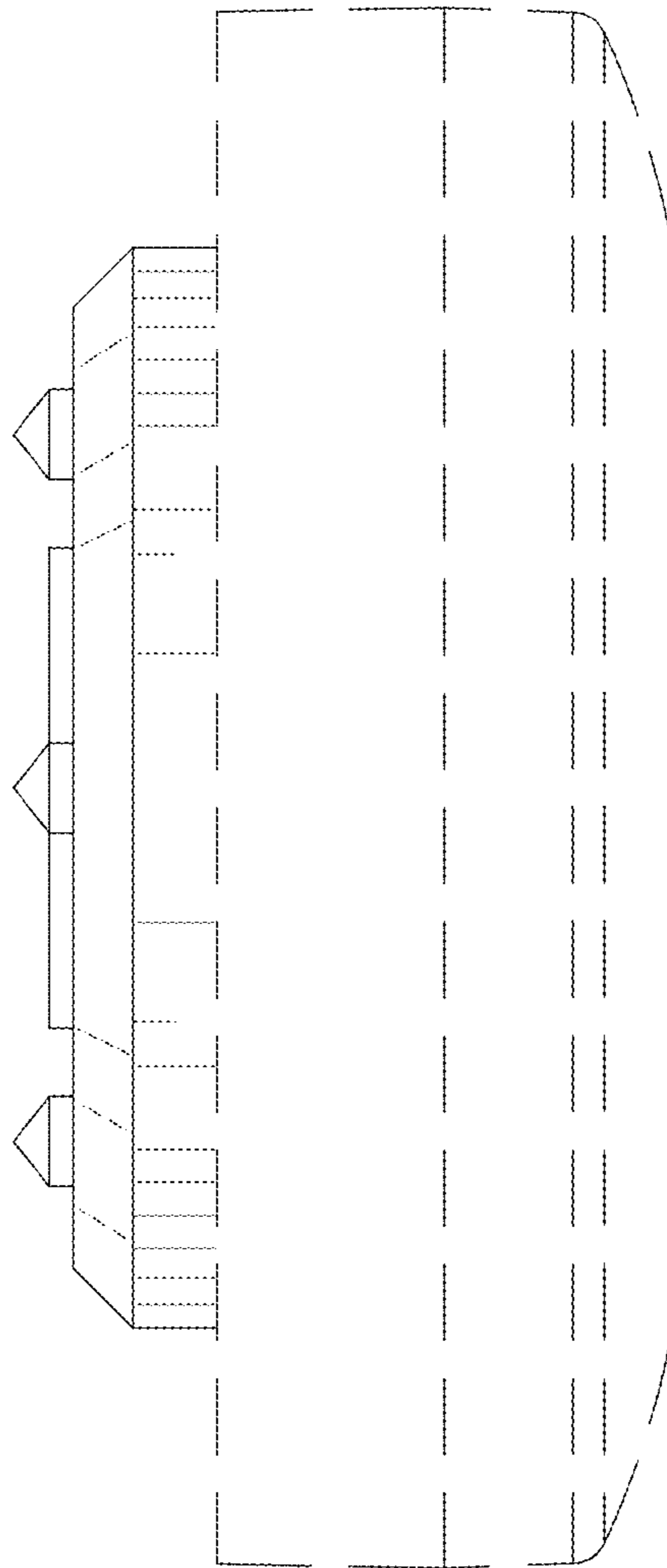


Fig.12

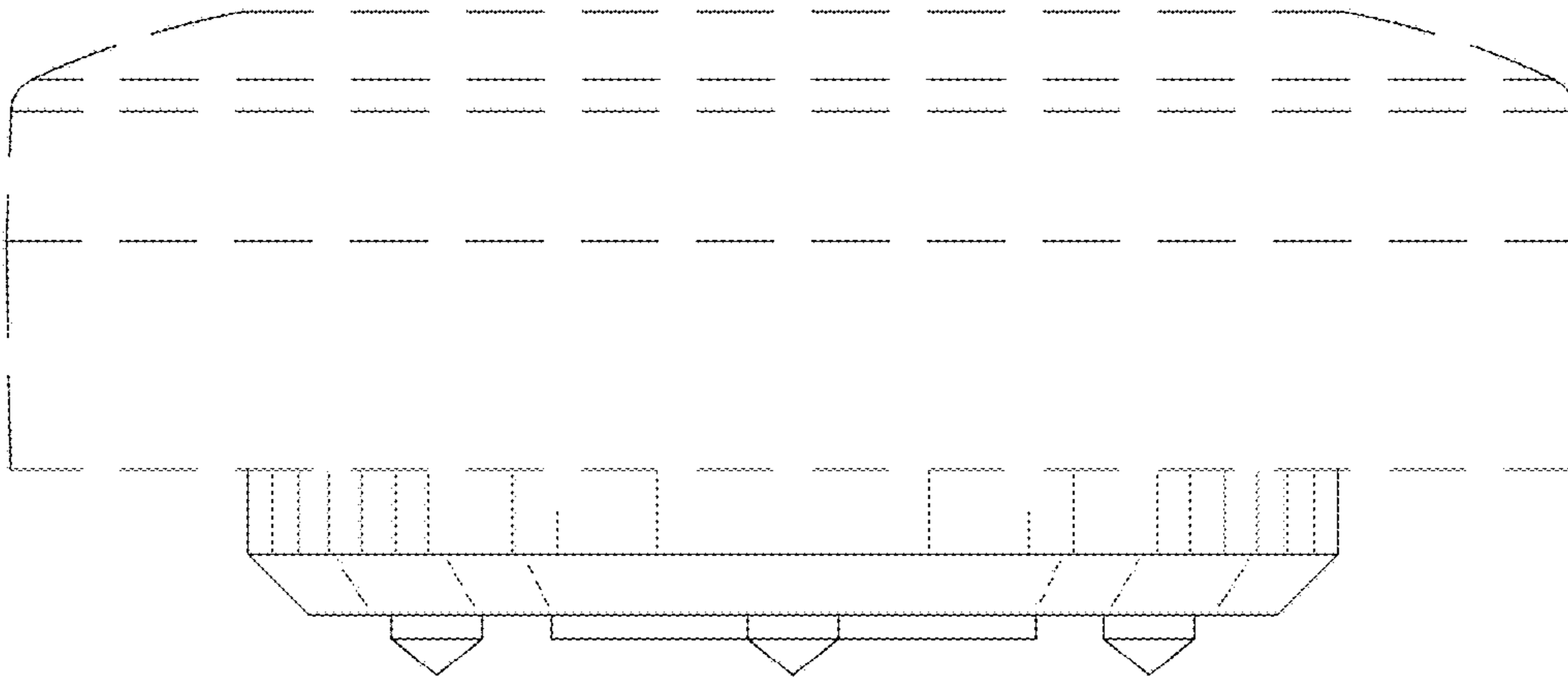


Fig.13

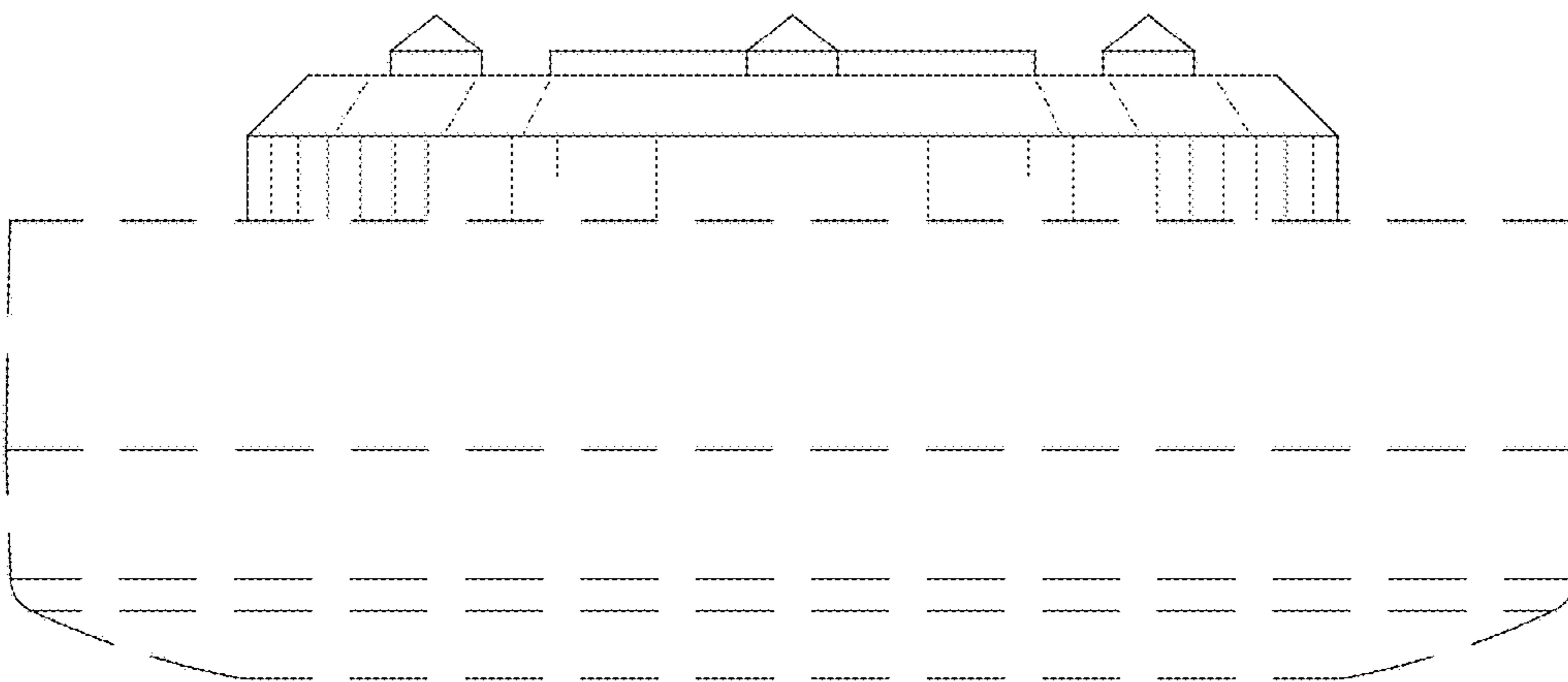


Fig.14

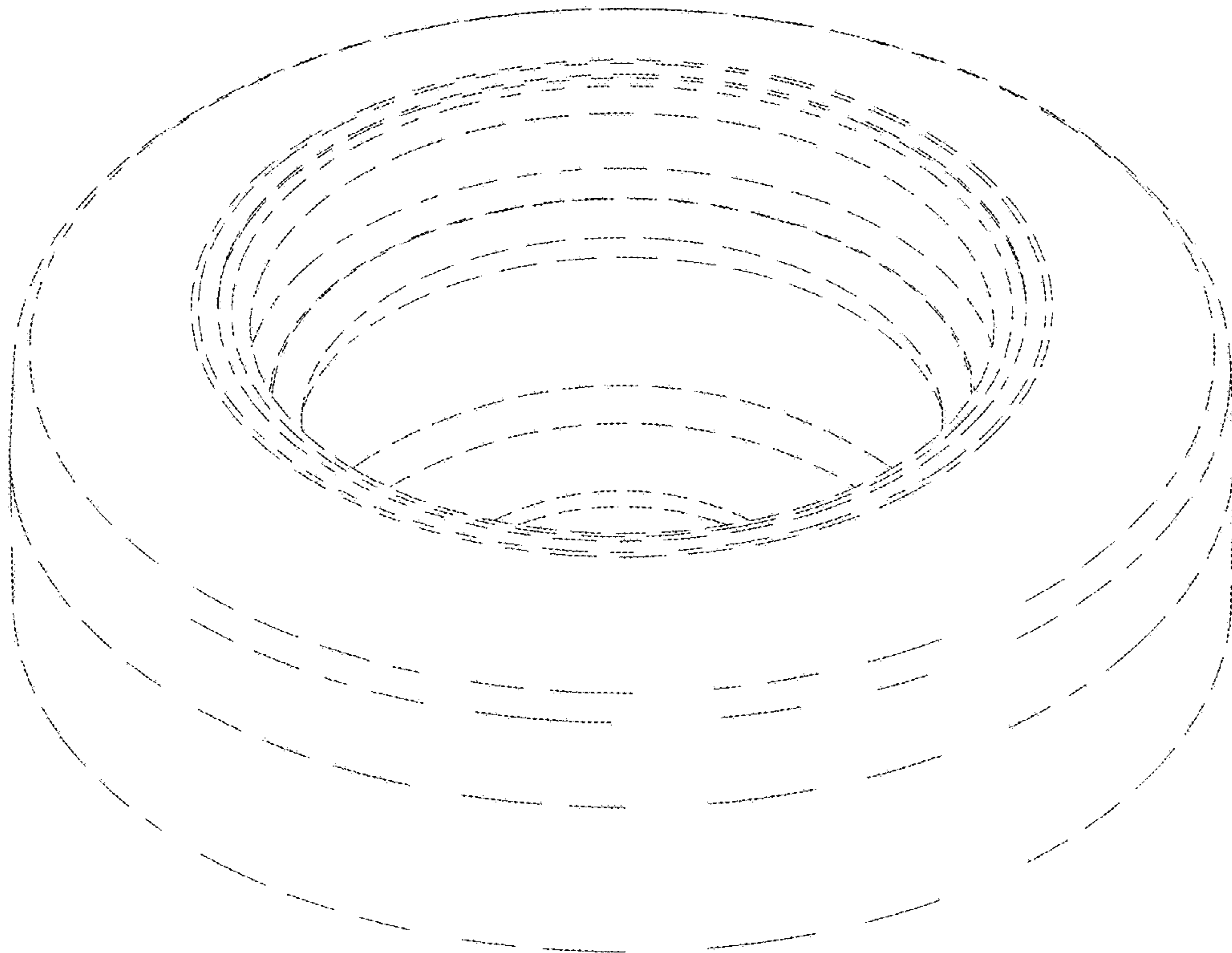


Fig.15

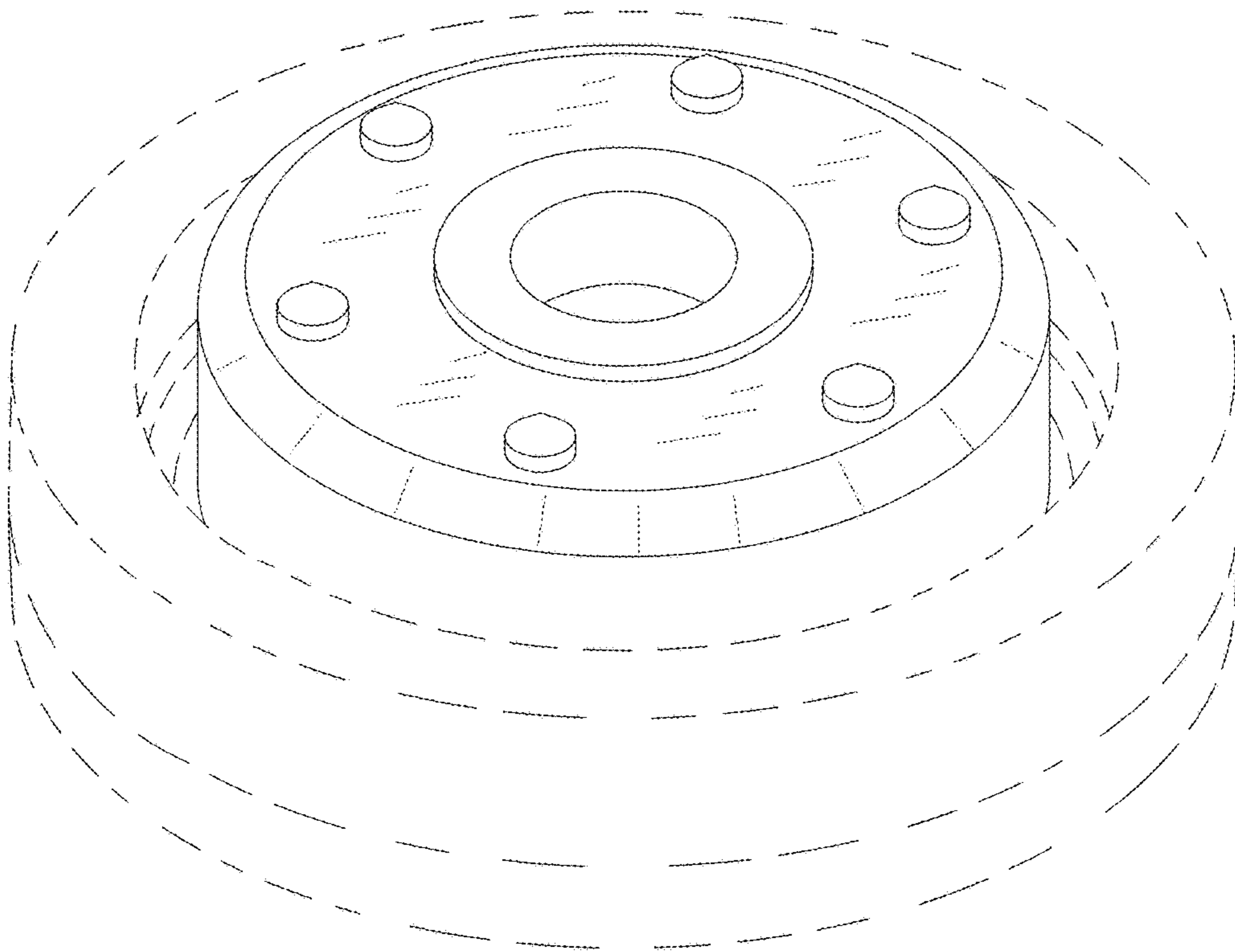


Fig.16

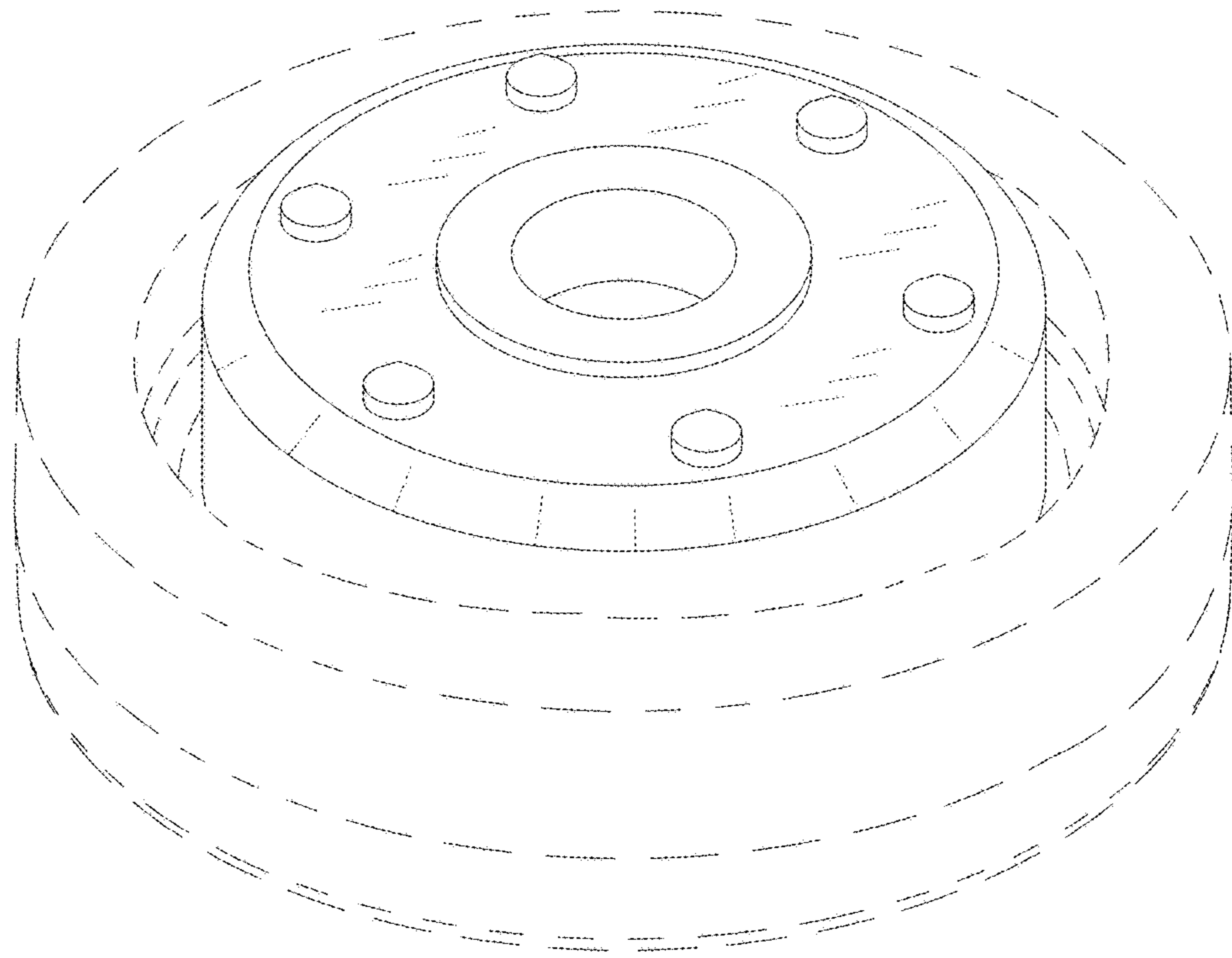


Fig.17

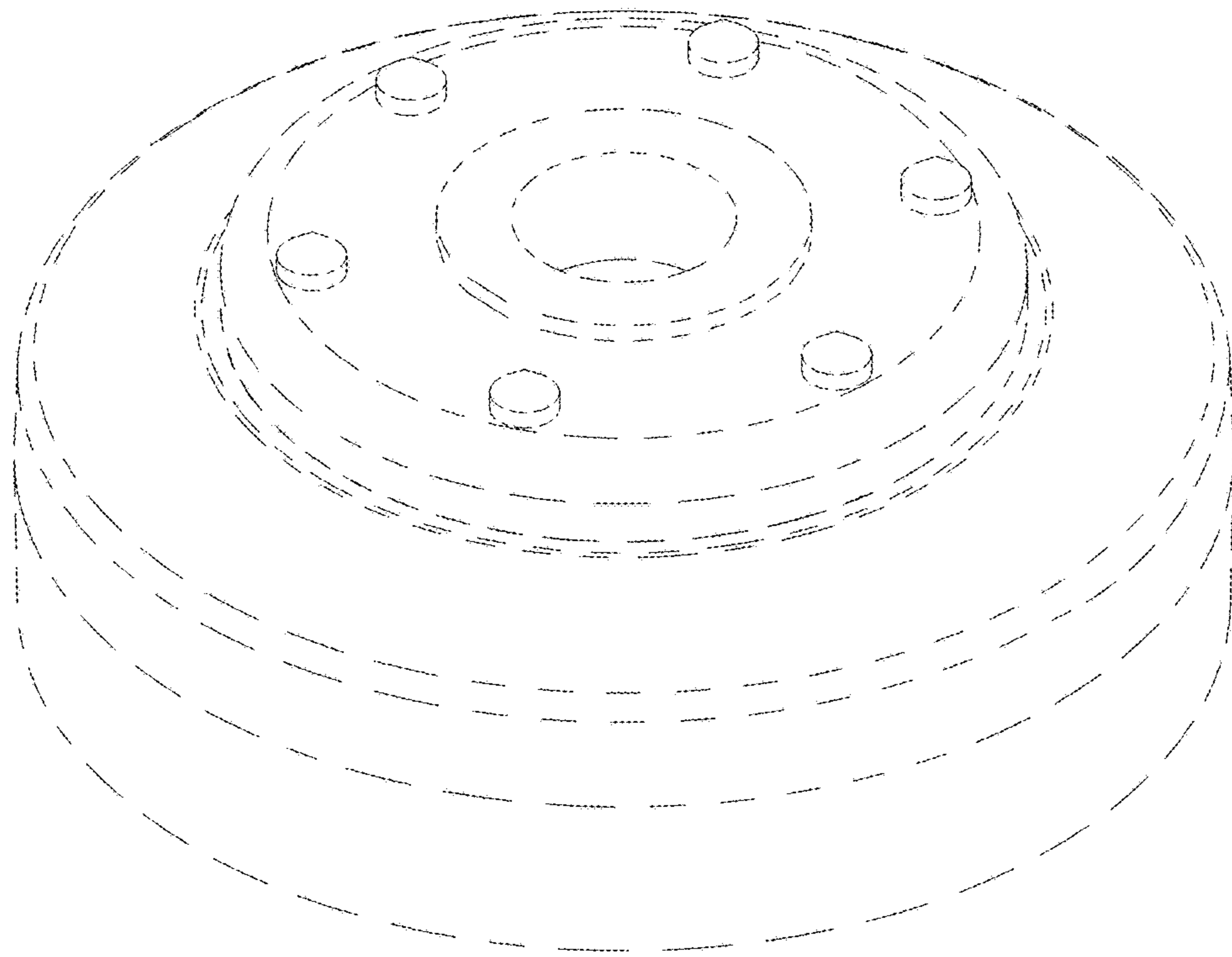


Fig.18