



US00D817807S

(12) **United States Design Patent**
Kim et al.

(10) **Patent No.:** **US D817,807 S**

(45) **Date of Patent:** **** May 15, 2018**

(54) **CHARM**

OTHER PUBLICATIONS

(71) Applicant: **SUNG JOO D&D, INC.**, Seoul (KR)

Christmas Astronaut Hanger (available online Oct. 26, 2015)
Retrieved from the internet Jan. 30, 2018, retrieved from URL:
<https://www.amazon.de/Christbaum-Kugel-Buzz-Astronaut-H%C3%A4nger/dp/B016XYX5RQ>.*

(72) Inventors: **Sung Joo Kim**, Seoul (KR); **Tae Ho Cho**, Seoul (KR); **Sung Hyon Kim**, Seoul (KR)

Silver Astronaut Charm r (available online) Retrieved from the internet Jan. 30, 2018, retrieved from URL: https://www.etsy.com/listing/543442730/astronaut-gift-silver-astronaut-charm?ga_order=most_relevant&ga_search_type=all&ga_view_type=gallery&ga_search_query=astronaut%20jewelry&ref=sc_gallery%E2%80%A6.*

(73) Assignee: **SUNG JOO D&D, INC.**, Seoul (KR)

(**) Term: **15 Years**

* cited by examiner

(21) Appl. No.: **29/571,495**

(22) Filed: **Jul. 19, 2016**

Primary Examiner — Garth Rademaker

(51) **LOC (11) Cl.** **11-01**

Assistant Examiner — Richard Kearney

(52) **U.S. Cl.**
USPC **D11/83; D21/637**

(74) *Attorney, Agent, or Firm* — Sughrue Mion, PLLC

(58) **Field of Classification Search**
USPC D11/1, 2, 6–8, 32, 53, 79–83; D21/576,
D21/578, 604, 621, 622, 627, 631, 634,
D21/637

(57) **CLAIM**

CPC A44C 25/001; A44C 25/007; A44C 25/008
See application file for complete search history.

The ornamental design for a charm, as shown and described.

(56) **References Cited**

DESCRIPTION

U.S. PATENT DOCUMENTS

| | | | | |
|--------------|---------|-----------|-------|---------|
| D178,510 S * | 8/1956 | Fink | | D21/578 |
| D239,846 S * | 5/1976 | Knudsen | | D21/621 |
| D248,881 S * | 8/1978 | Goldfarb | | D21/621 |
| D352,078 S * | 11/1994 | Bertrand | | D21/621 |
| D356,612 S * | 3/1995 | Mayuzumi | | D21/604 |
| D539,364 S * | 3/2007 | Sofussen | | D21/621 |
| D575,359 S * | 8/2008 | Auberger | | D21/621 |
| D603,912 S * | 11/2009 | Miller | | D21/578 |
| D621,886 S * | 8/2010 | Lee | | D21/578 |
| D626,449 S * | 11/2010 | Deruelles | | D11/82 |
| D638,074 S * | 5/2011 | Wong | | D21/621 |
| D687,907 S * | 8/2013 | Hoang | | D15/199 |
| D760,851 S * | 7/2016 | Cummings | | D21/578 |

FIG. 1 is a left side perspective view of a charm showing our new design;

FIG. 2 is a bottom view thereof;

FIG. 3 is a front elevational view thereof;

FIG. 4 is a right side elevational view thereof;

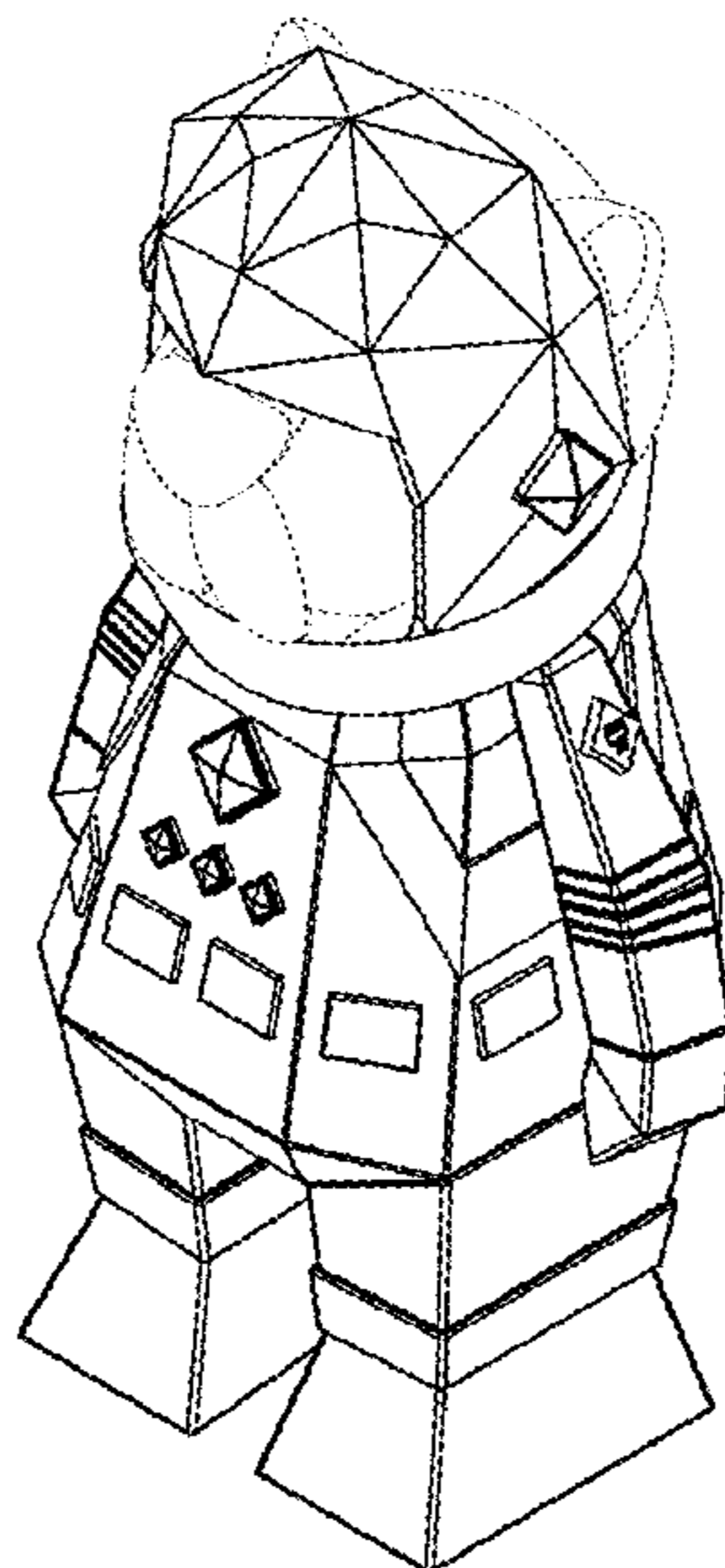
FIG. 5 is a front left side perspective view thereof;

FIG. 6 is a top view thereof; and,

FIG. 7 is a rear elevational view thereof.

The broken lines are used to show portions of the charm that are not being claimed, and thus form no part of the claimed design.

1 Claim, 7 Drawing Sheets



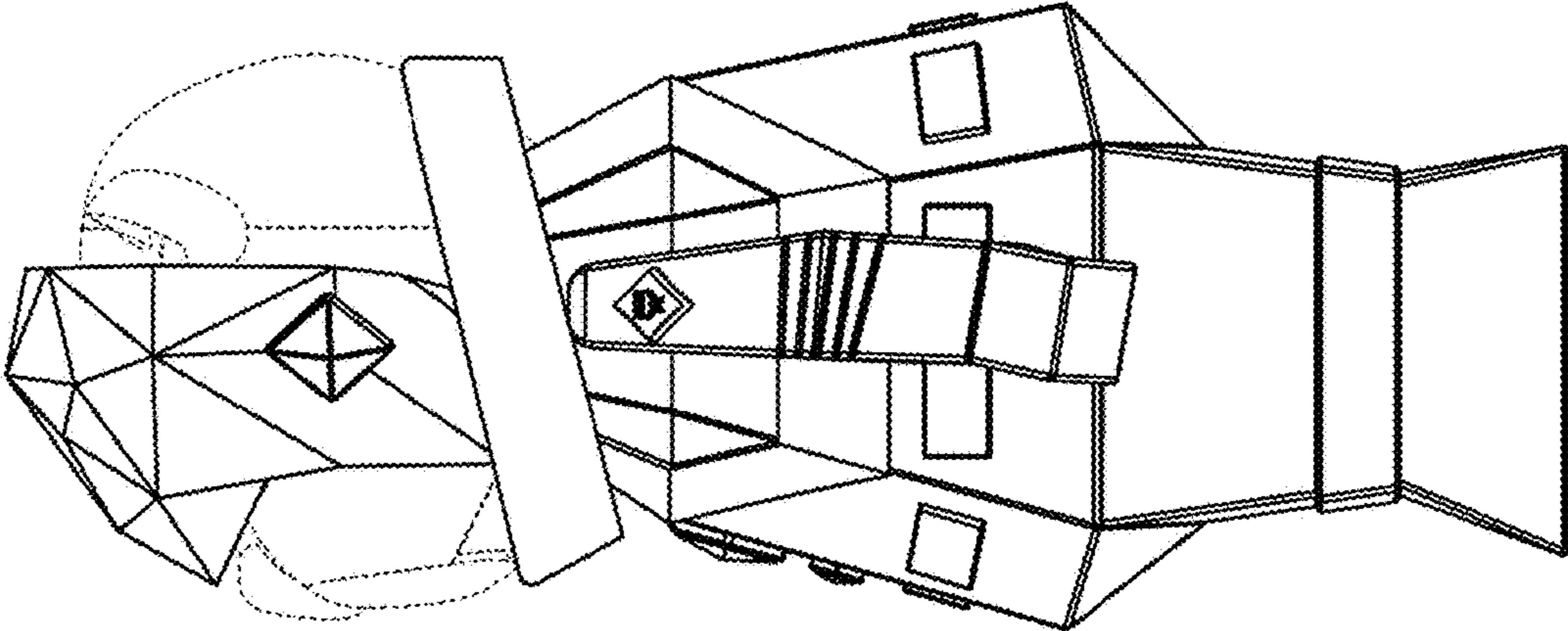


FIG. 1

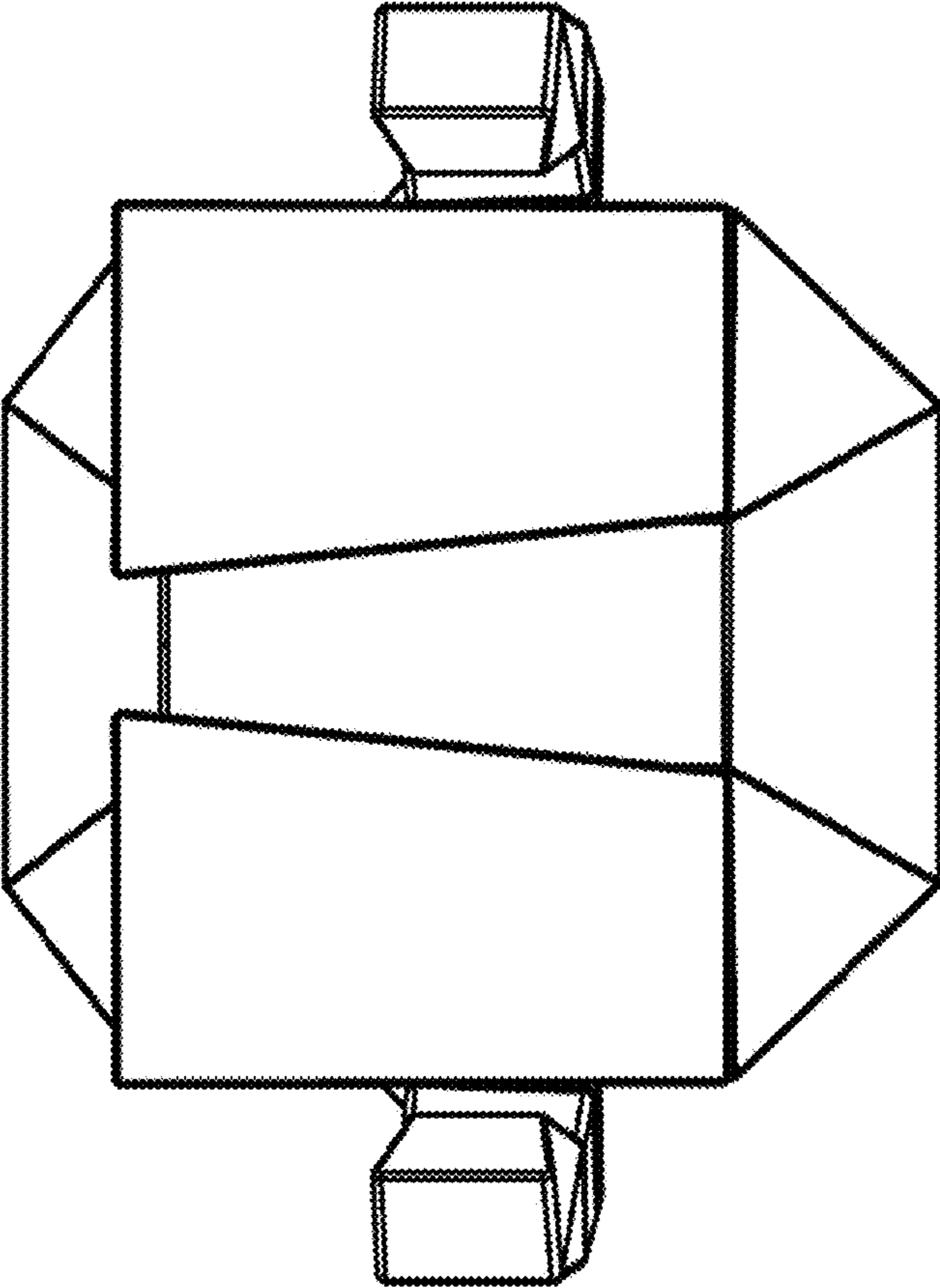


FIG. 2

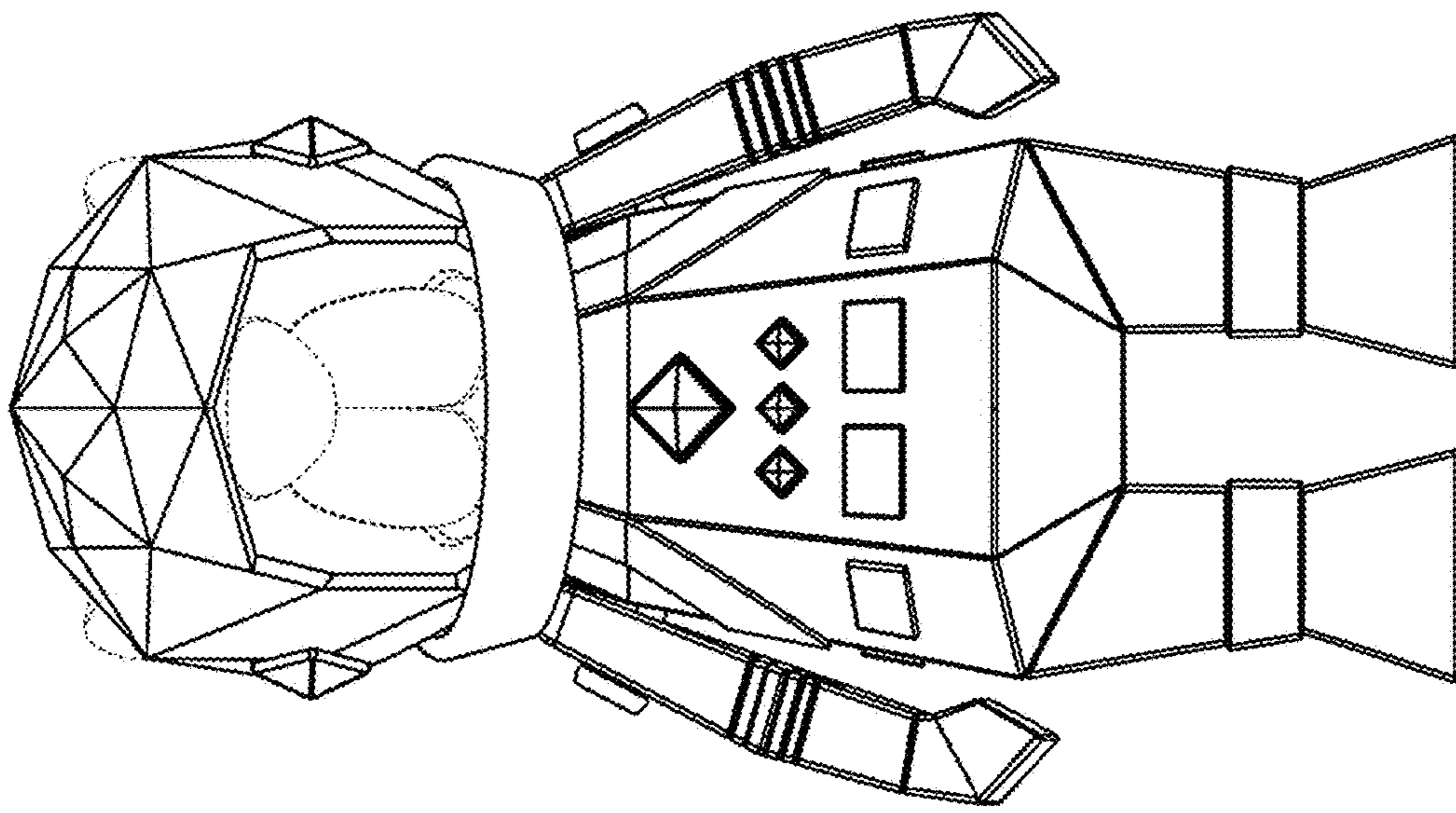


FIG. 3

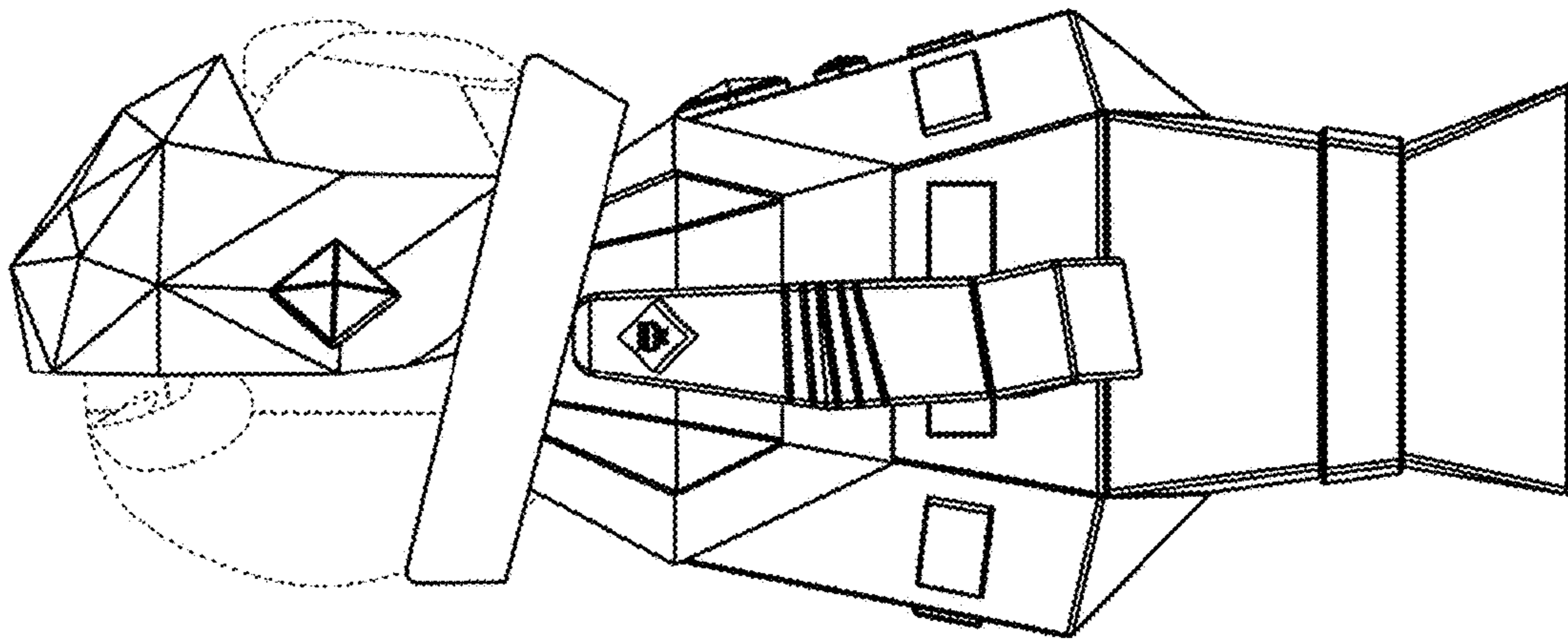


FIG. 4

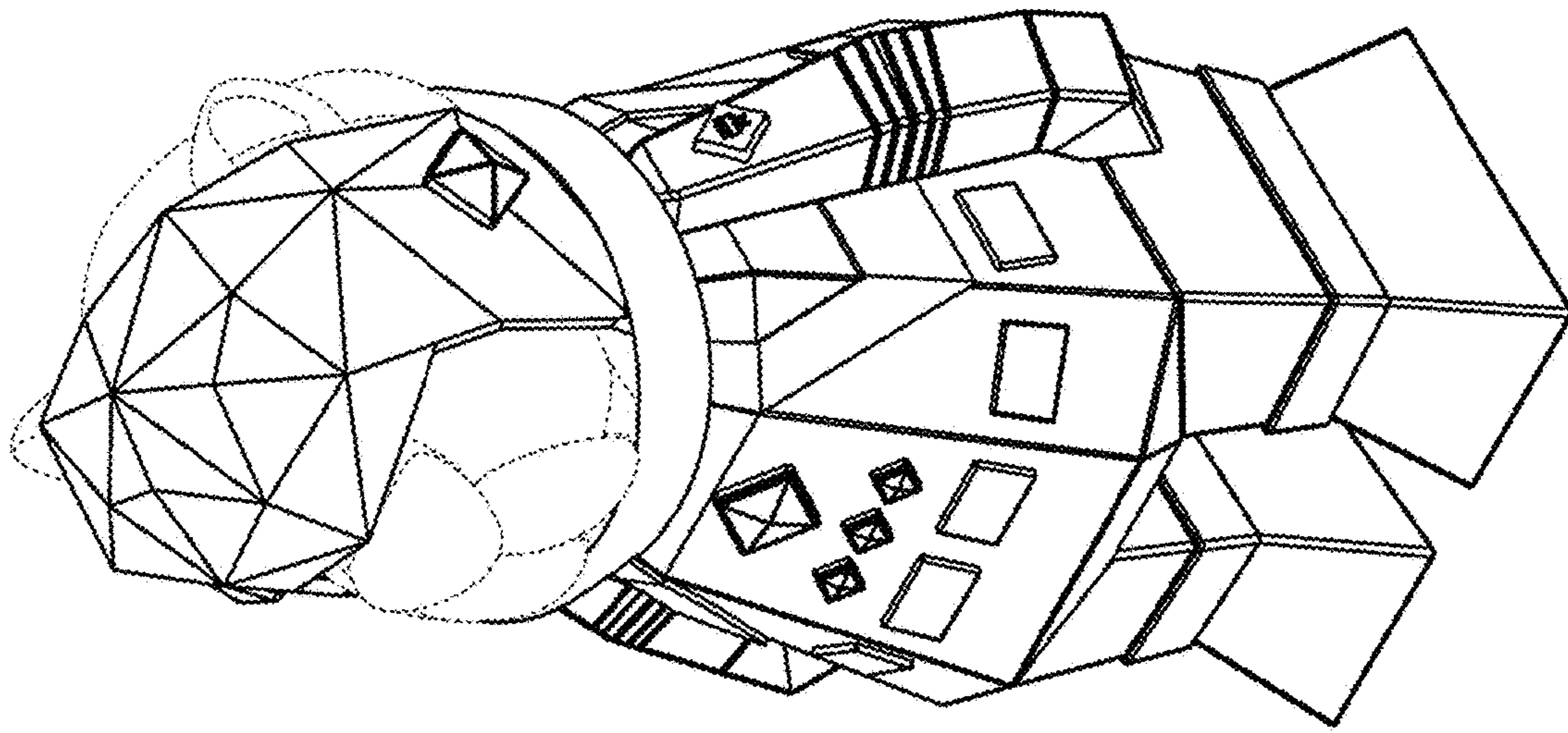


FIG. 5

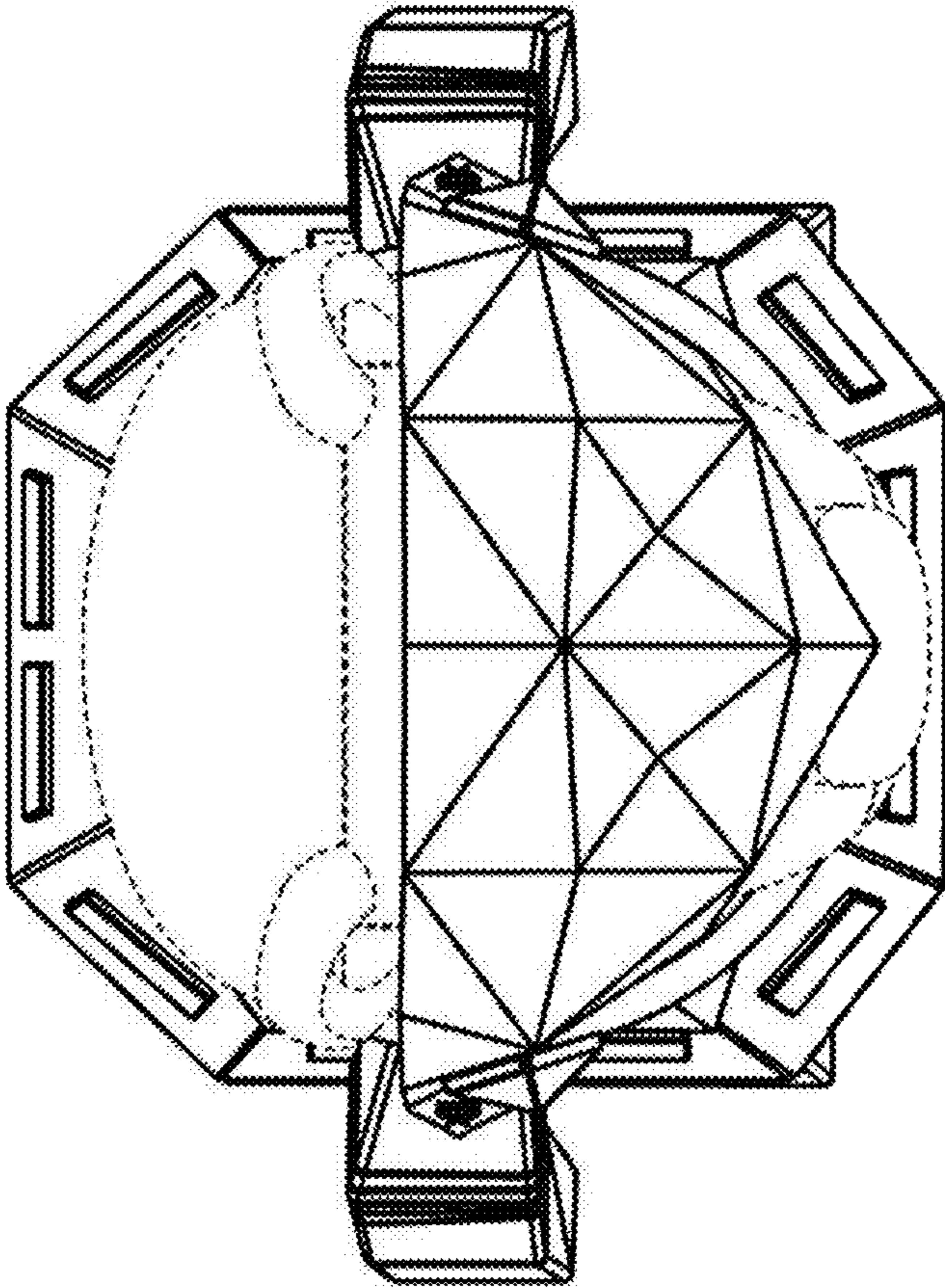


FIG. 6

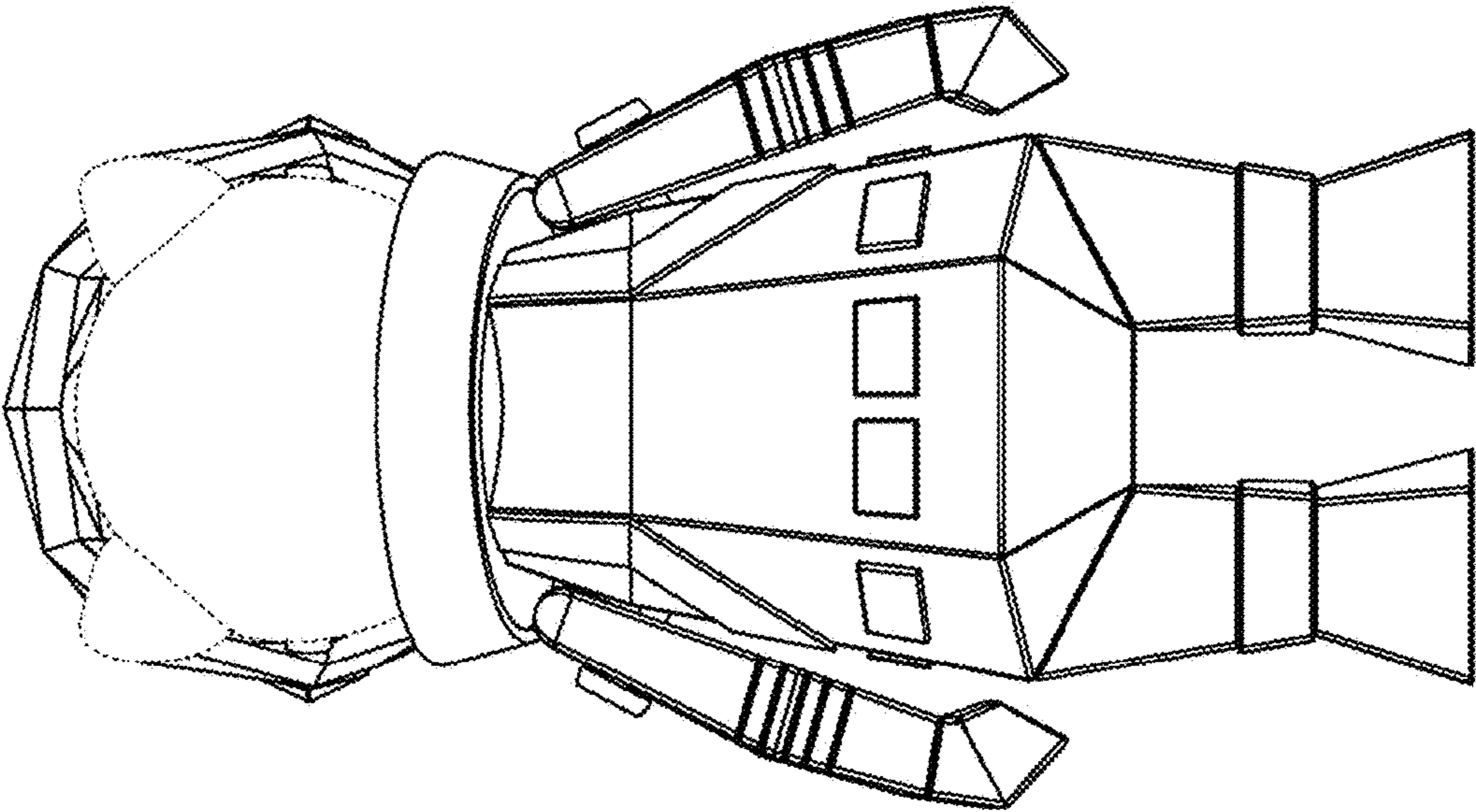


FIG. 7