



US00D817801S

(12) **United States Design Patent**
Harguth et al.

(10) **Patent No.:** **US D817,801 S**
(45) **Date of Patent:** **** May 15, 2018**

(54) **WRISTBAND**

(71) Applicant: **The Prophet Corporation**, Owatonna, MN (US)

(72) Inventors: **Alison Marie Harguth**, Owatonna, MN (US); **Amber Lee Orenstein**, Prior Lake, MN (US); **Jason Butler Koberstine**, Apple Valley, MN (US)

(73) Assignee: **THE PROPHET CORPORATION**, Owatonna, MN (US)

(**) Term: **15 Years**

(21) Appl. No.: **29/584,495**

(22) Filed: **Nov. 15, 2016**

(51) **LOC (11) Cl.** **11-01**

(52) **U.S. Cl.**
USPC **D11/3**

(58) **Field of Classification Search**
USPC D11/1-6, 13; D10/30, 31, 32, 38, 39, 46, D10/70, 128; D24/167, 186; D3/215, D3/217, 218

CPC A44C 5/00; A44C 5/0007; A44C 5/0015; A44C 5/0023; A44C 5/003; A44C 5/0038; A44C 5/0046; A44C 5/0053; A44C 5/0061; A44C 5/0069; A44C 5/0076; A44C 5/02; A44C 5/022; A44C 5/025; A44C 5/027; A44C 5/04; A44C 5/06; A44C 5/08; A44C 11/00; A44C 13/00; A44C 15/00; G06F 1/163

See application file for complete search history.

(56) **References Cited**

U.S. PATENT DOCUMENTS

3,586,220 A * 6/1971 Reinsberg A44C 5/0015
224/221
D394,394 S * 5/1998 Bruce D10/30

D445,041 S * 7/2001 Tan D10/32
D471,470 S * 3/2003 Tan D10/30
D528,438 S * 9/2006 Burton D10/32
8,651,346 B1 * 2/2014 Williams A44C 5/0015
224/222
D720,248 S * 12/2014 Law D11/3
D725,510 S * 3/2015 Henning D10/70
D725,652 S * 3/2015 Ishii D10/32
D730,199 S * 5/2015 Gerard-Goddet D10/32
D730,347 S * 5/2015 Jung D14/344

(Continued)

Primary Examiner — Cynthia Ramirez

Assistant Examiner — L. Martinez-Rivera

(74) *Attorney, Agent, or Firm* — Merchant & Gould P.C.

(57) **CLAIM**

The ornamental design for a wristband, as shown and described.

DESCRIPTION

FIG. 1 is a perspective view of a wristband showing our new design;

FIG. 2 is a top plan view of the wristband of FIG. 1;

FIG. 3 is a bottom plan view of the wristband of FIG. 1;

FIG. 4 is a first side elevational view of the wristband of FIG. 1;

FIG. 5 is a second side elevational view of the wristband of FIG. 1;

FIG. 6 is a front elevational view of the wristband of FIG. 1;

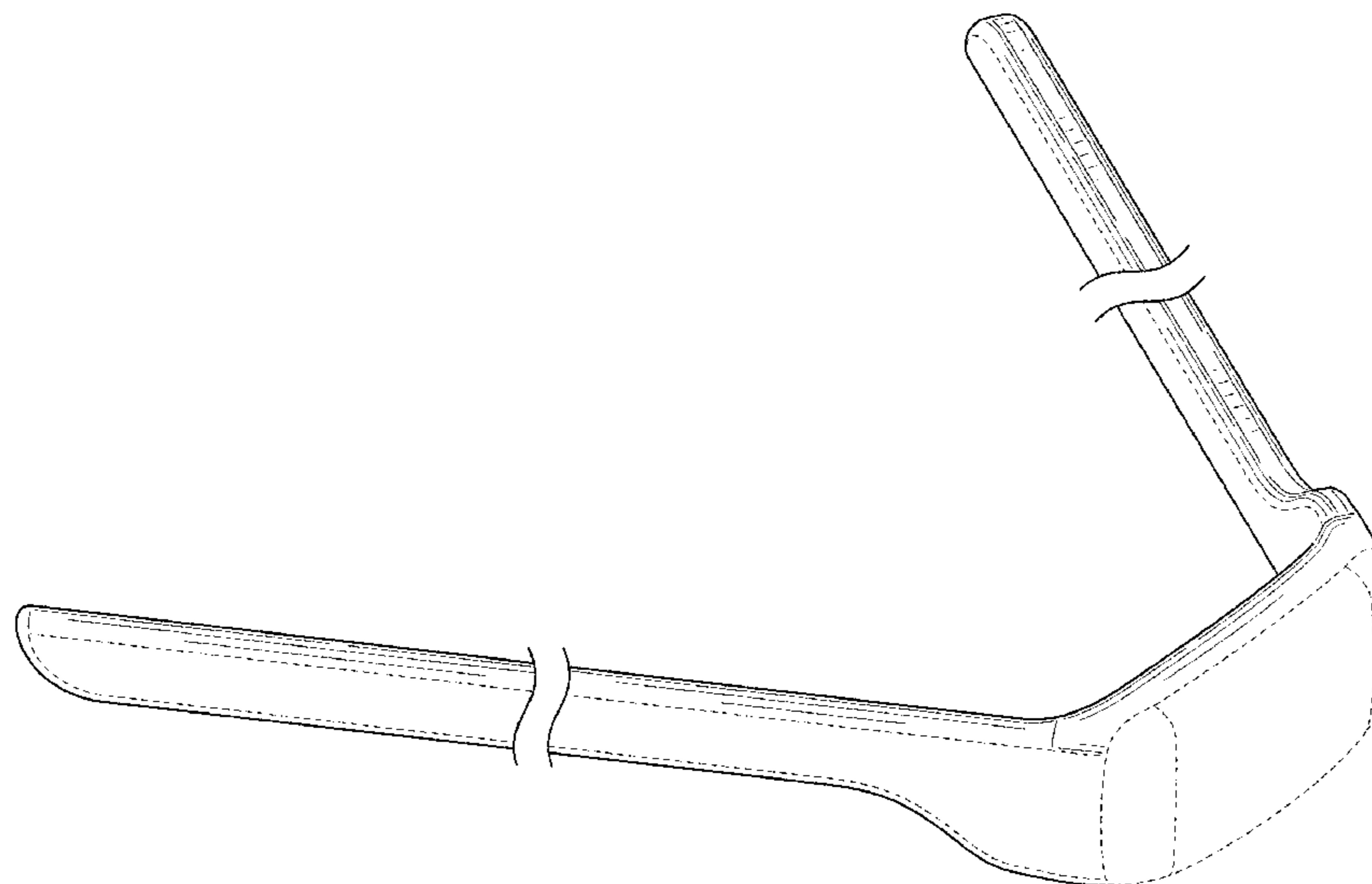
FIG. 7 is a rear elevational view of the wristband of FIG. 1;

FIG. 8 is a rear perspective view of the wristband of FIG. 1; and,

FIG. 9 is another perspective view thereof, showing the wristband of FIG. 1 in an environment of use.

The broken lines in the drawings illustrate portions of the wristband that form no part of the claim. The other broken lines in FIG. 9 showing a human hand represent environmental subject matter only and form no part of the claim.

1 Claim, 6 Drawing Sheets



(56)

References Cited

U.S. PATENT DOCUMENTS

D730,526 S *	5/2015	Shin	D24/167
D747,226 S *	1/2016	Kuang	D10/70
D751,067 S *	3/2016	Nousiainen	D14/344
D757,583 S *	5/2016	Roush	D24/167
D767,769 S *	9/2016	Suvilaakso	D24/186
D770,321 S *	11/2016	Murphy	D11/3
D788,608 S *	6/2017	Houin	D10/38

* cited by examiner

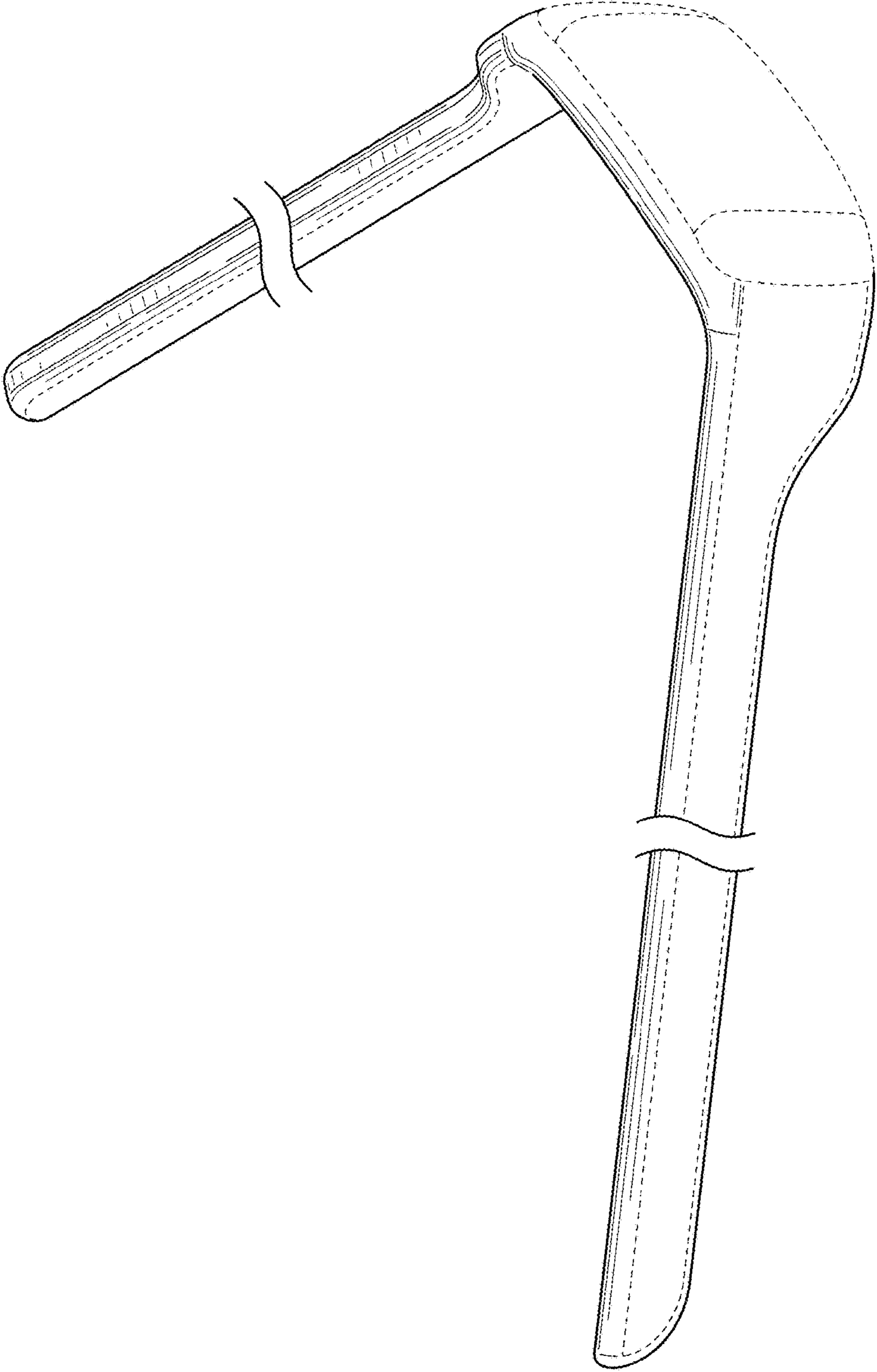


FIG. 1

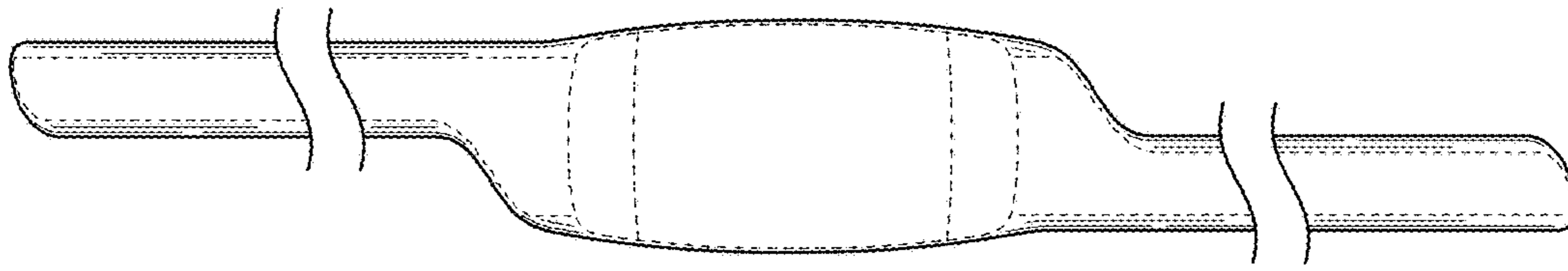


FIG. 2

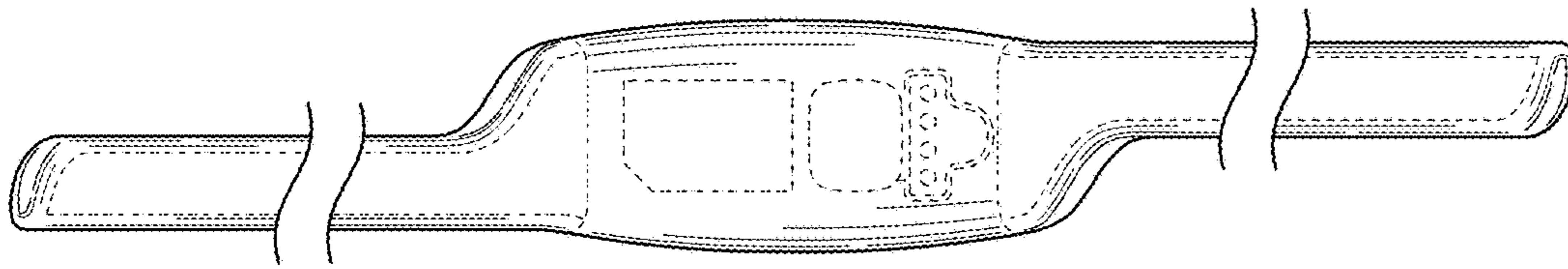


FIG. 3

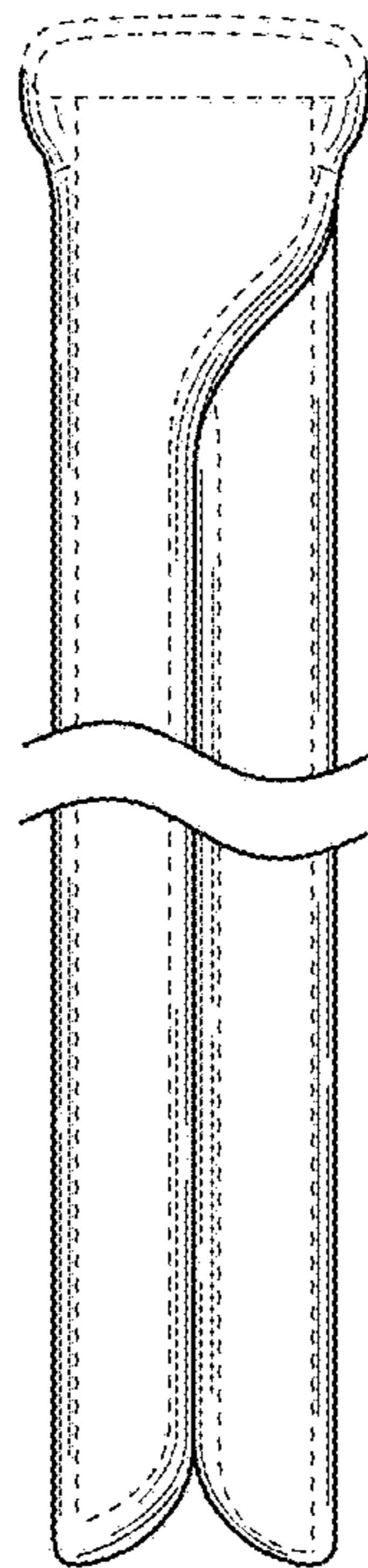


FIG. 4

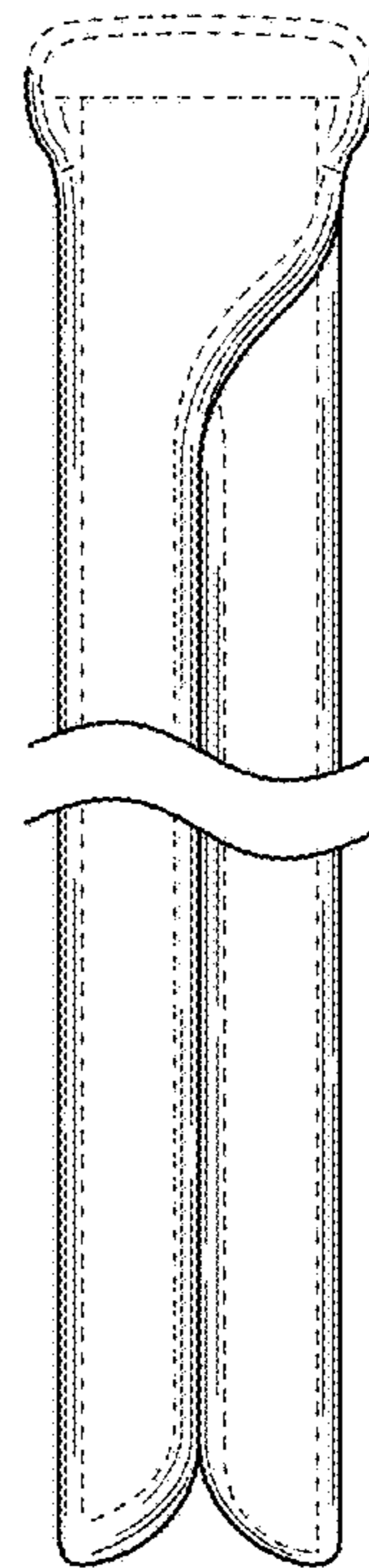


FIG. 5

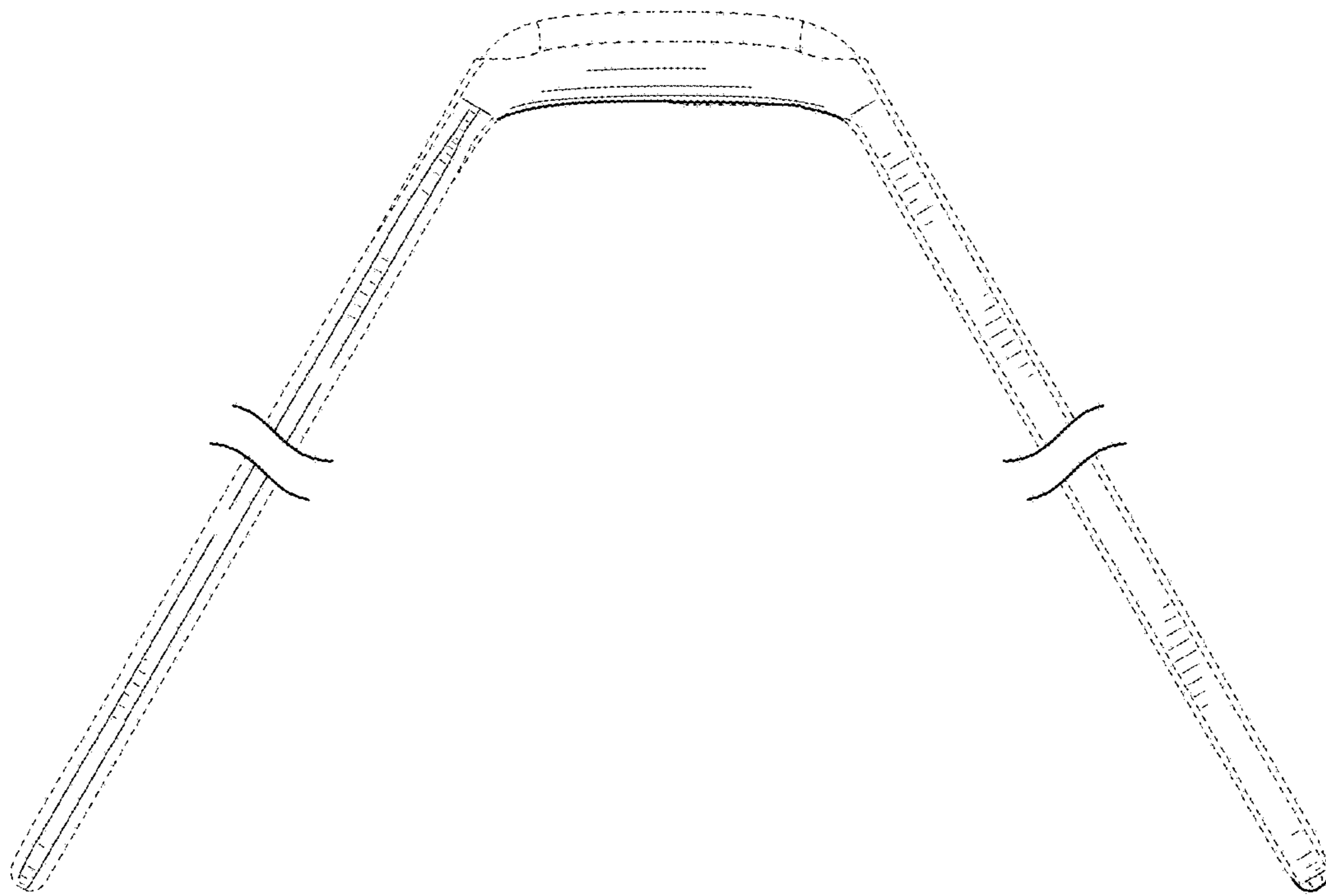


FIG. 6

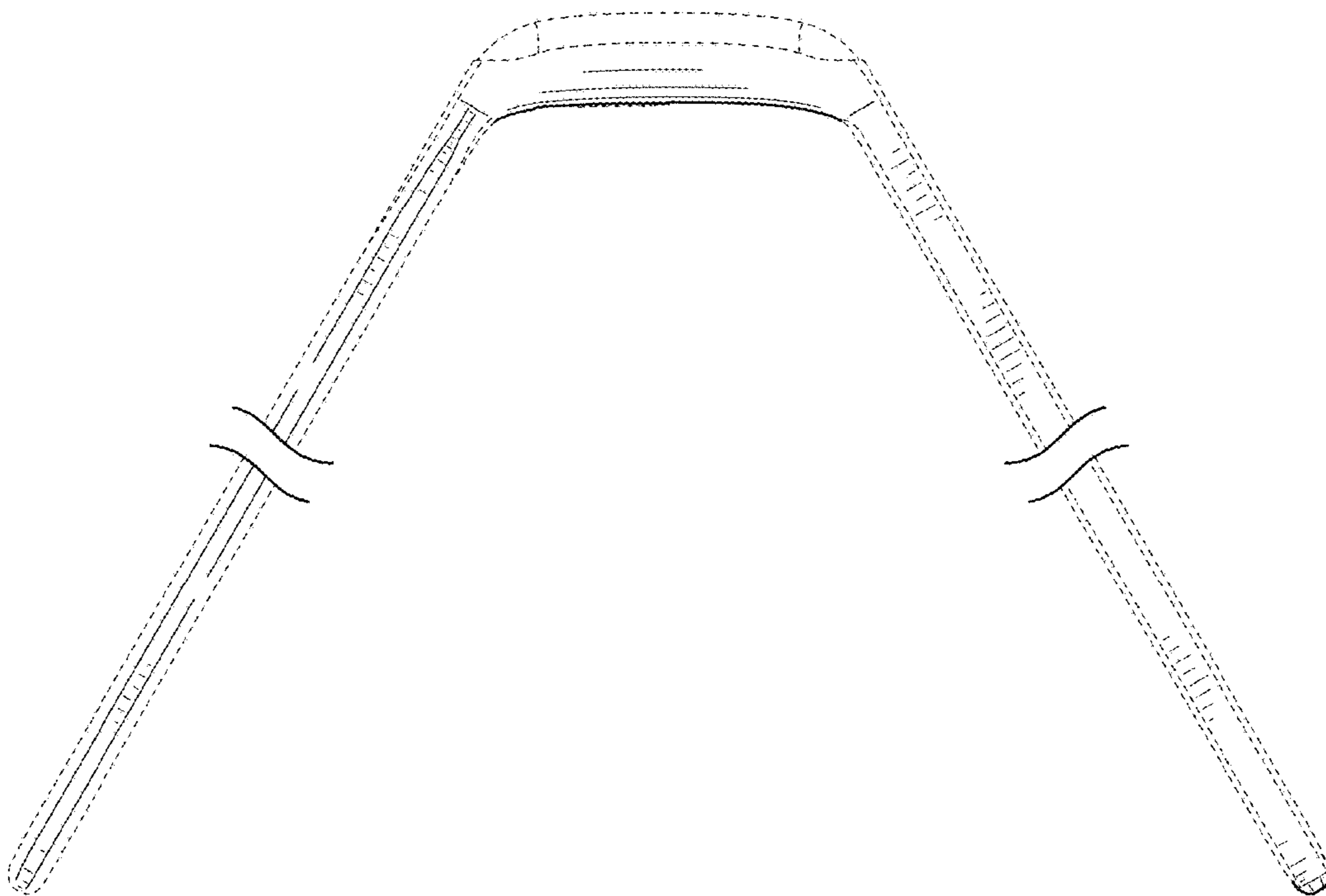


FIG. 7

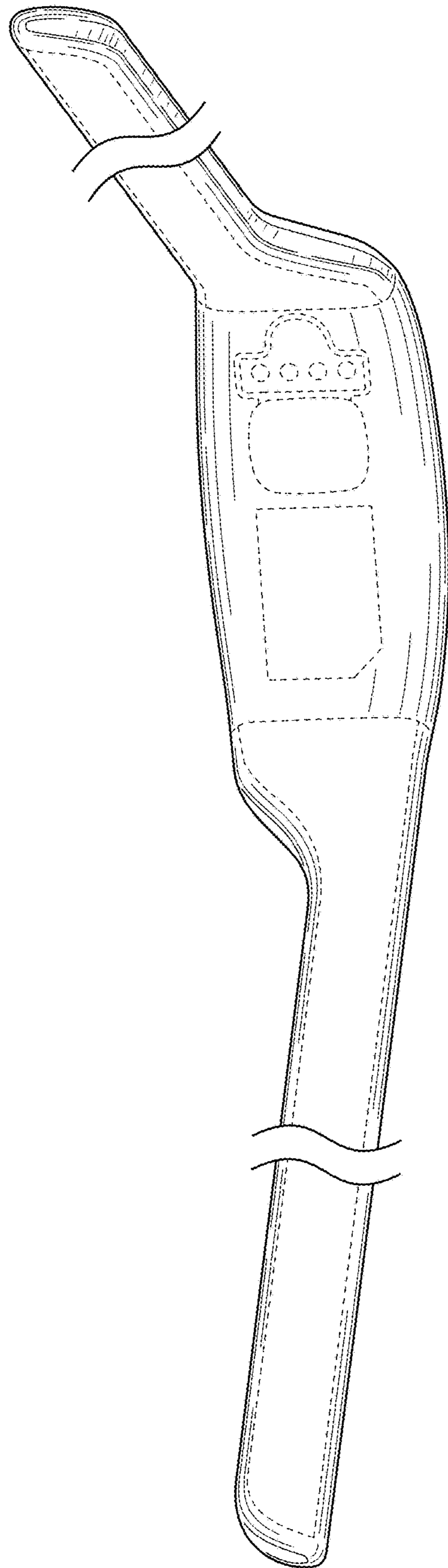


FIG. 8

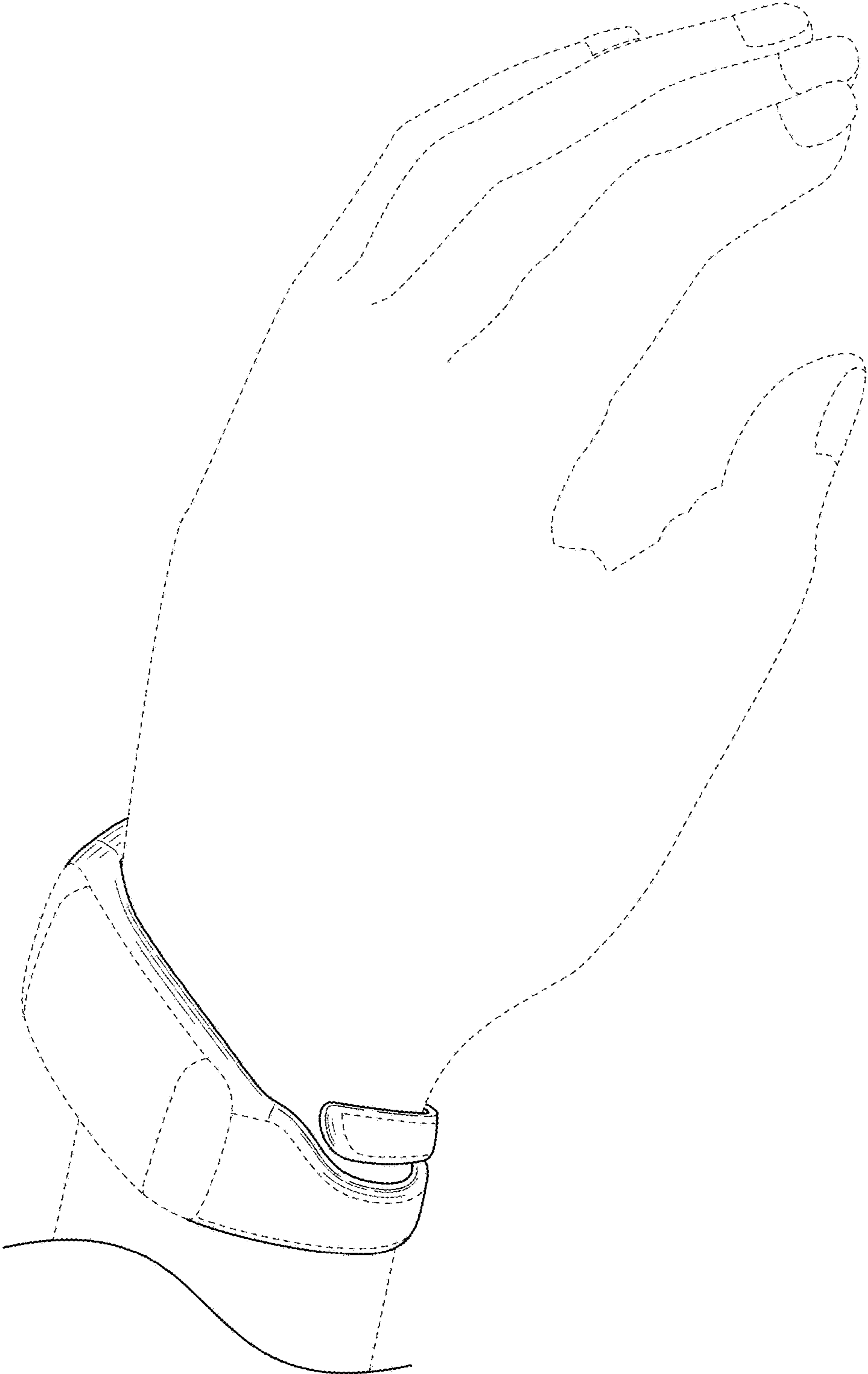


FIG. 9