



US00D817798S

(12) **United States Design Patent** (10) **Patent No.:** **US D817,798 S**
Thompson (45) **Date of Patent:** **** May 15, 2018**

(54) **TRACK FOOT FOR A LIGHT BAR**

(74) *Attorney, Agent, or Firm* — Stoel Rives LLP

(71) Applicant: **Electronic Controls Company**, Boise, ID (US)

(57) **CLAIM**

The ornamental design for a track foot for a light bar, substantially as shown and described.

(72) Inventor: **Nicholaus M. Thompson**, Kuna, ID (US)

DESCRIPTION

(73) Assignee: **ELECTRONIC CONTROLS COMPANY**, Boise, ID (US)

(**) Term: **14 Years**

(21) Appl. No.: **29/523,737**

(22) Filed: **Apr. 13, 2015**

(51) **LOC (11) Cl.** **10-05**

(52) **U.S. Cl.**
USPC **D10/121**

(58) **Field of Classification Search**
USPC D10/121
CPC F16M 13/02; B60R 9/045; B60Q 1/2611;
B60Q 1/2615
See application file for complete search history.

FIG. 1 is a top isometric view of a track foot for a light bar;
 FIG. 2 is a front view thereof;
 FIG. 3 is a rear view thereof;
 FIG. 4 is a left side view thereof;
 FIG. 5 is a right side view thereof;
 FIG. 6 is a top view thereof; and
 FIG. 7 is a bottom view thereof;
 FIG. 8 is a top isometric view of another embodiment of a track foot for a light bar;
 FIG. 9 is a front view thereof;
 FIG. 10 is a rear view thereof;
 FIG. 11 is a left side view thereof;
 FIG. 12 is a right side view thereof;
 FIG. 13 is a top view thereof; and
 FIG. 14 is a bottom view thereof;
 FIG. 15 is a top isometric view of another embodiment of a track foot for a light bar;
 FIG. 16 is a front view thereof;
 FIG. 17 is a rear view thereof;
 FIG. 18 is a left side view thereof;
 FIG. 19 is a right side view thereof;
 FIG. 20 is a top view thereof; and
 FIG. 21 is a bottom view thereof;
 FIG. 22 is a top isometric view of another embodiment of a track foot for a light bar;
 FIG. 23 is a front view thereof;
 FIG. 24 is a rear view thereof;
 FIG. 25 is a left side view thereof;
 FIG. 26 is a right side view thereof;
 FIG. 27 is a top view thereof; and
 FIG. 28 is a bottom view thereof.

In FIGS. 1-28, broken lines are illustrative of environmental structure forming no part of the claimed design.

(56) **References Cited**

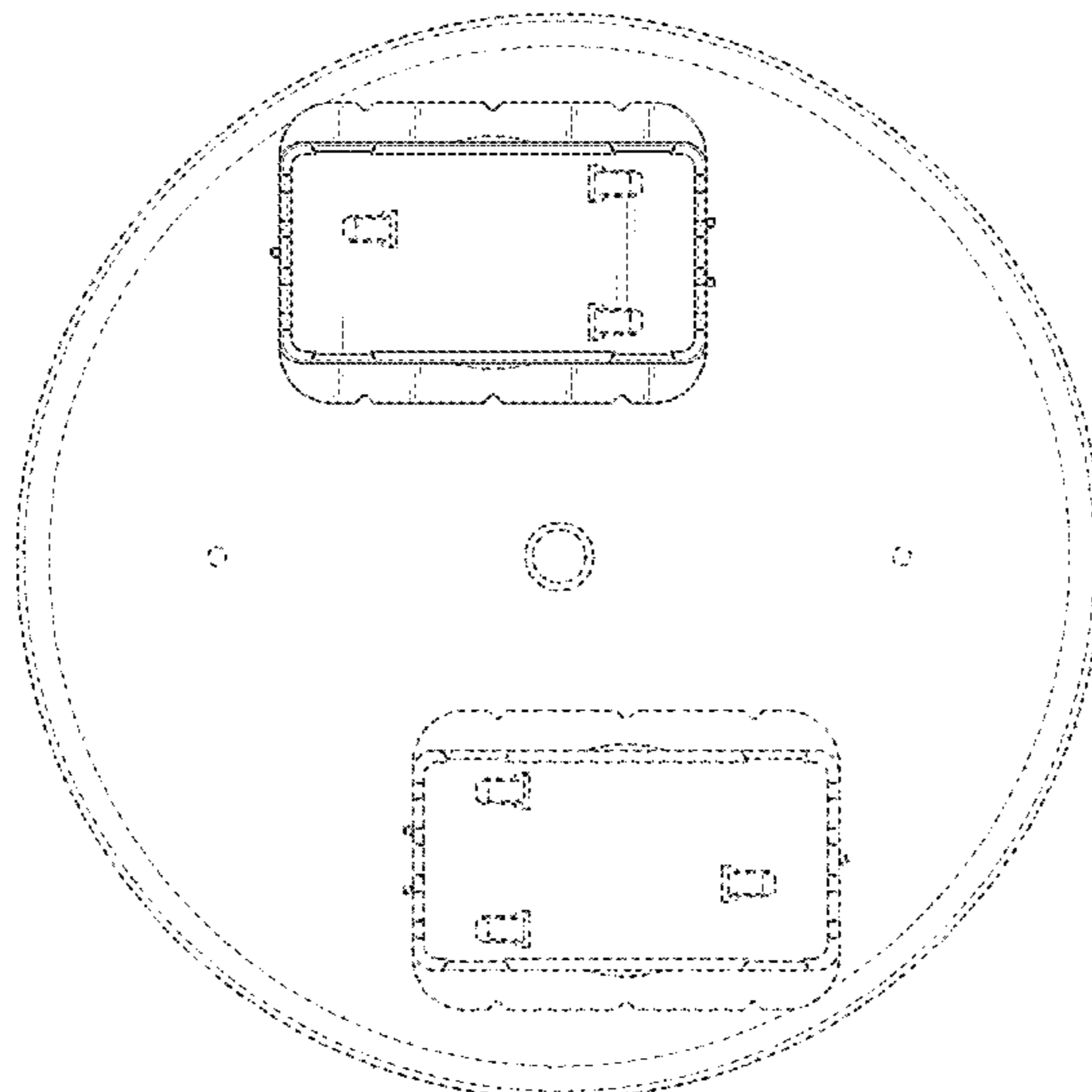
U.S. PATENT DOCUMENTS

8,333,311	B2 *	12/2012	Hubbard	B60R 9/045 224/320
9,371,041	B2 *	6/2016	Almhill	F16M 13/02
9,409,528	B1 *	8/2016	Datz	B60Q 1/2611
9,428,099	B1 *	8/2016	Doenges	B60Q 1/2611
9,566,913	B2 *	2/2017	Sarges		
9,592,768	B2 *	3/2017	Neufeglise	B60Q 1/2611
9,623,795	B2 *	4/2017	Bowe	B60Q 1/2615

* cited by examiner

Primary Examiner — George D. Kirschbaum

1 Claim, 25 Drawing Sheets



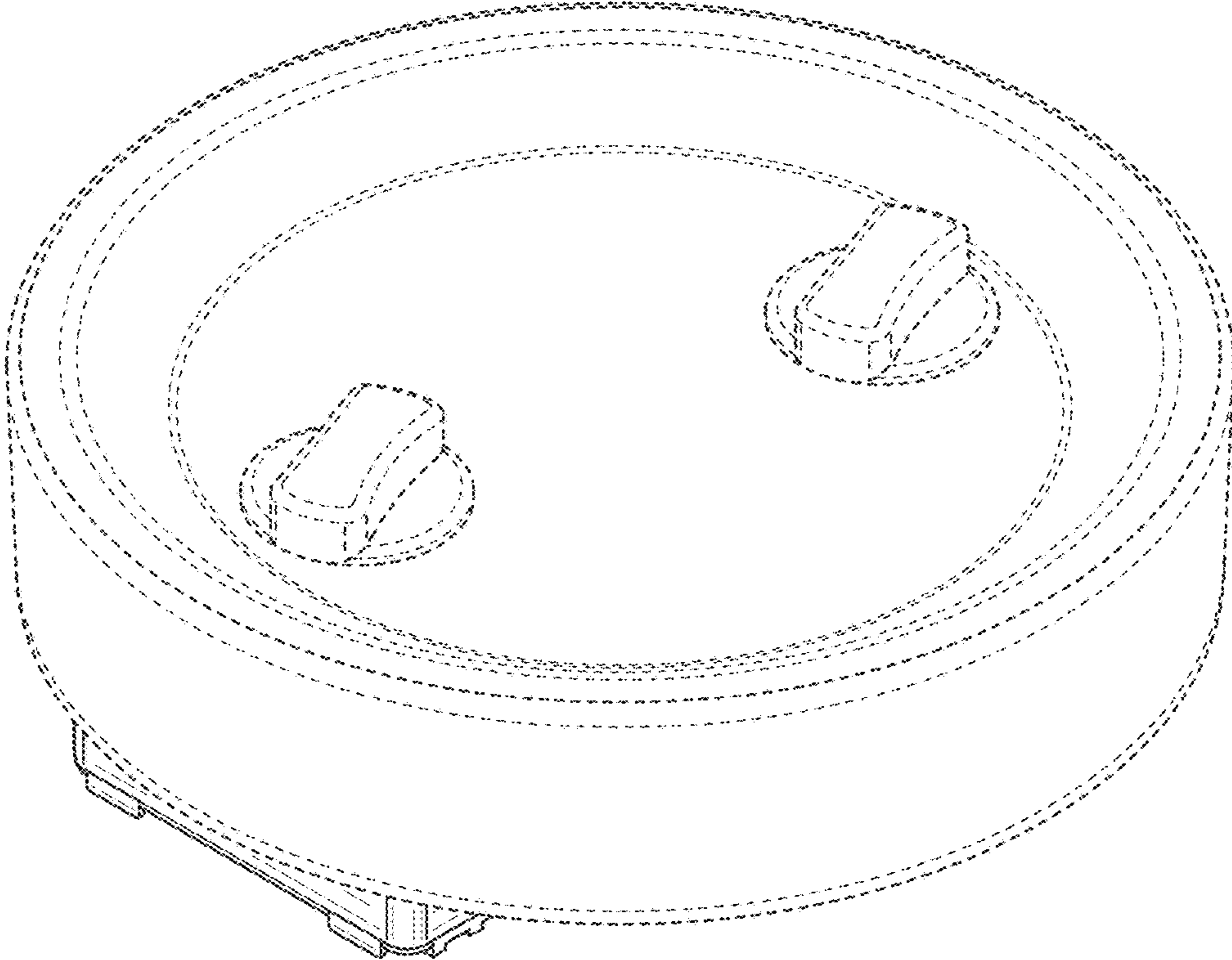


FIG. 1

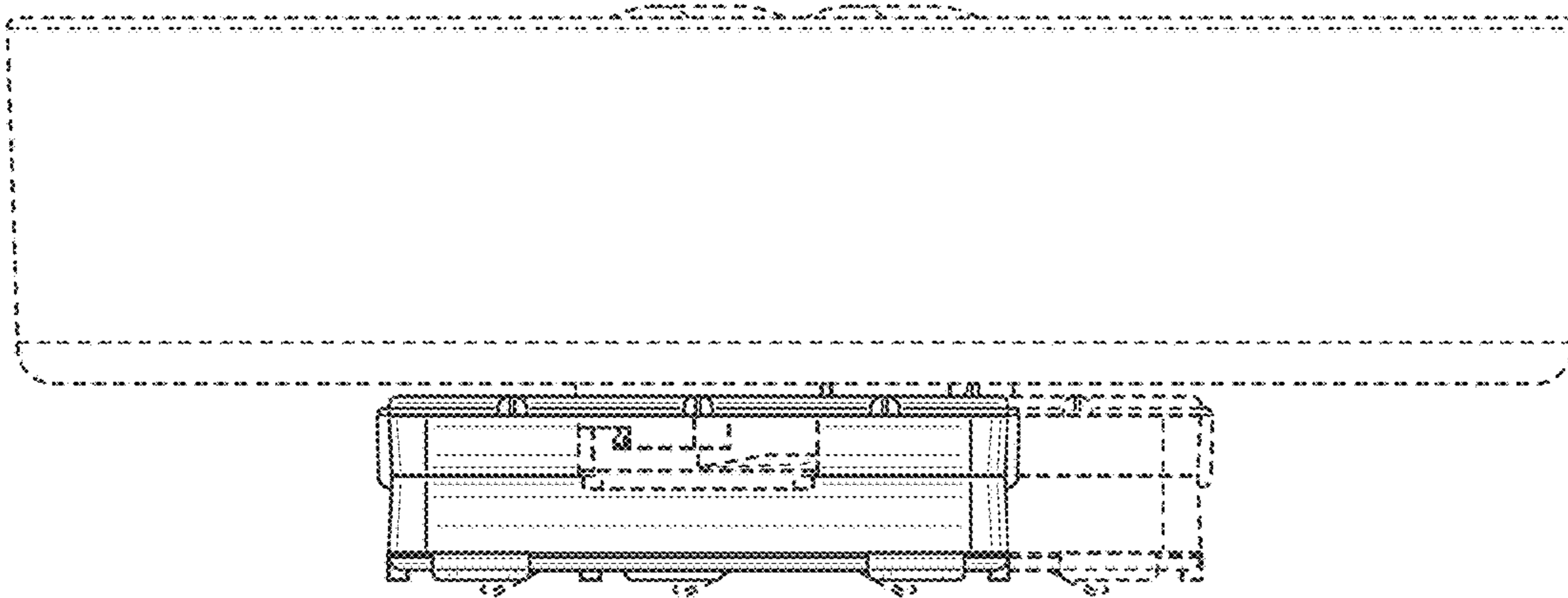


FIG. 2

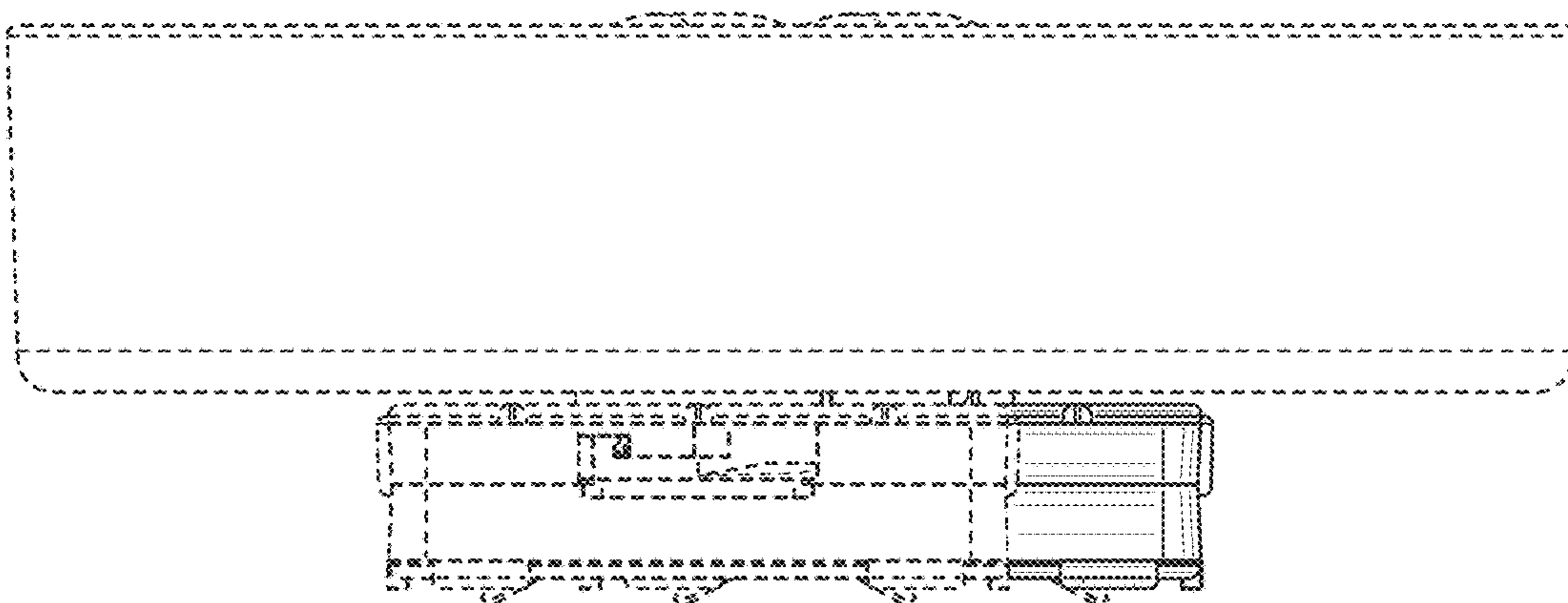


FIG. 3

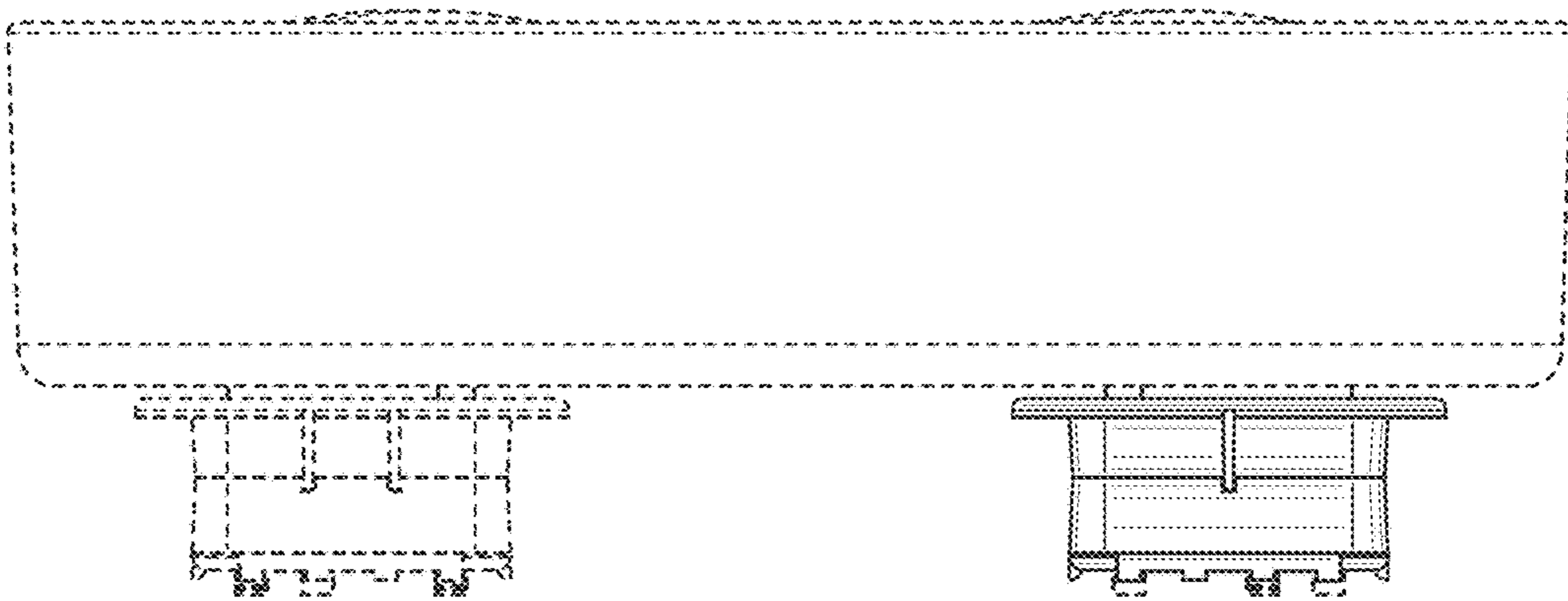


FIG. 4

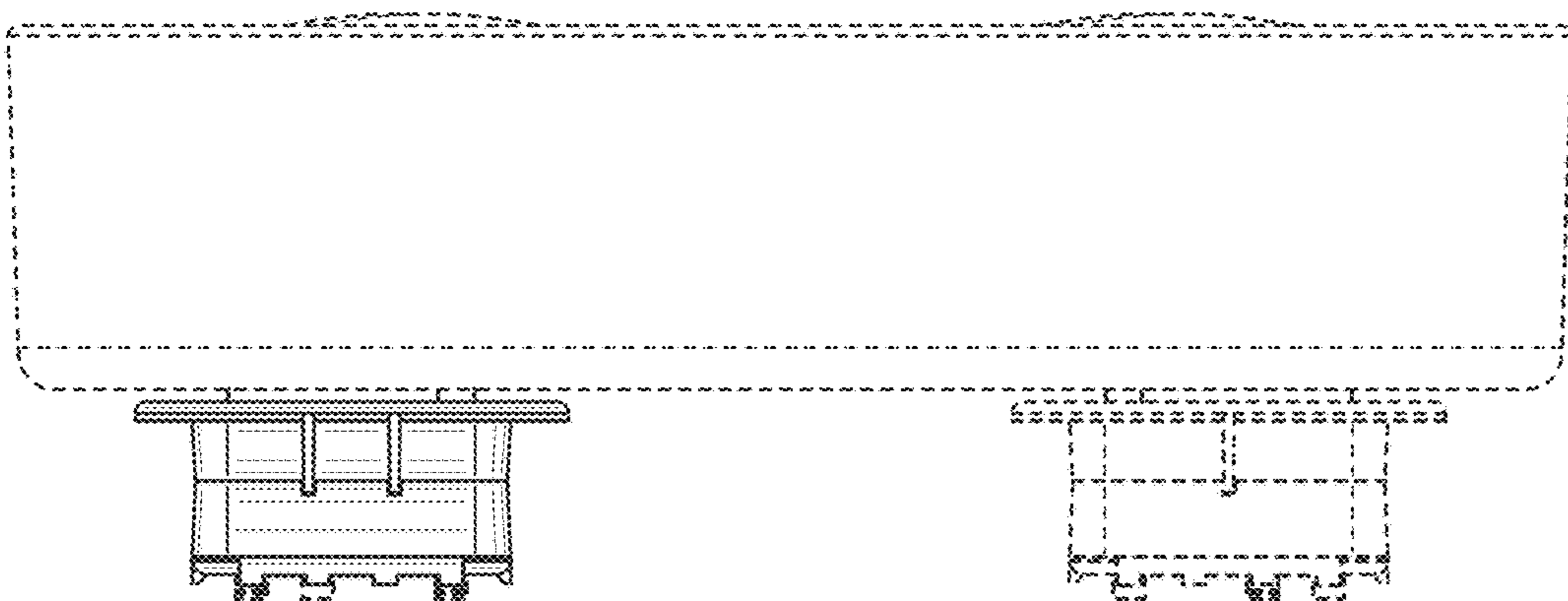


FIG. 5

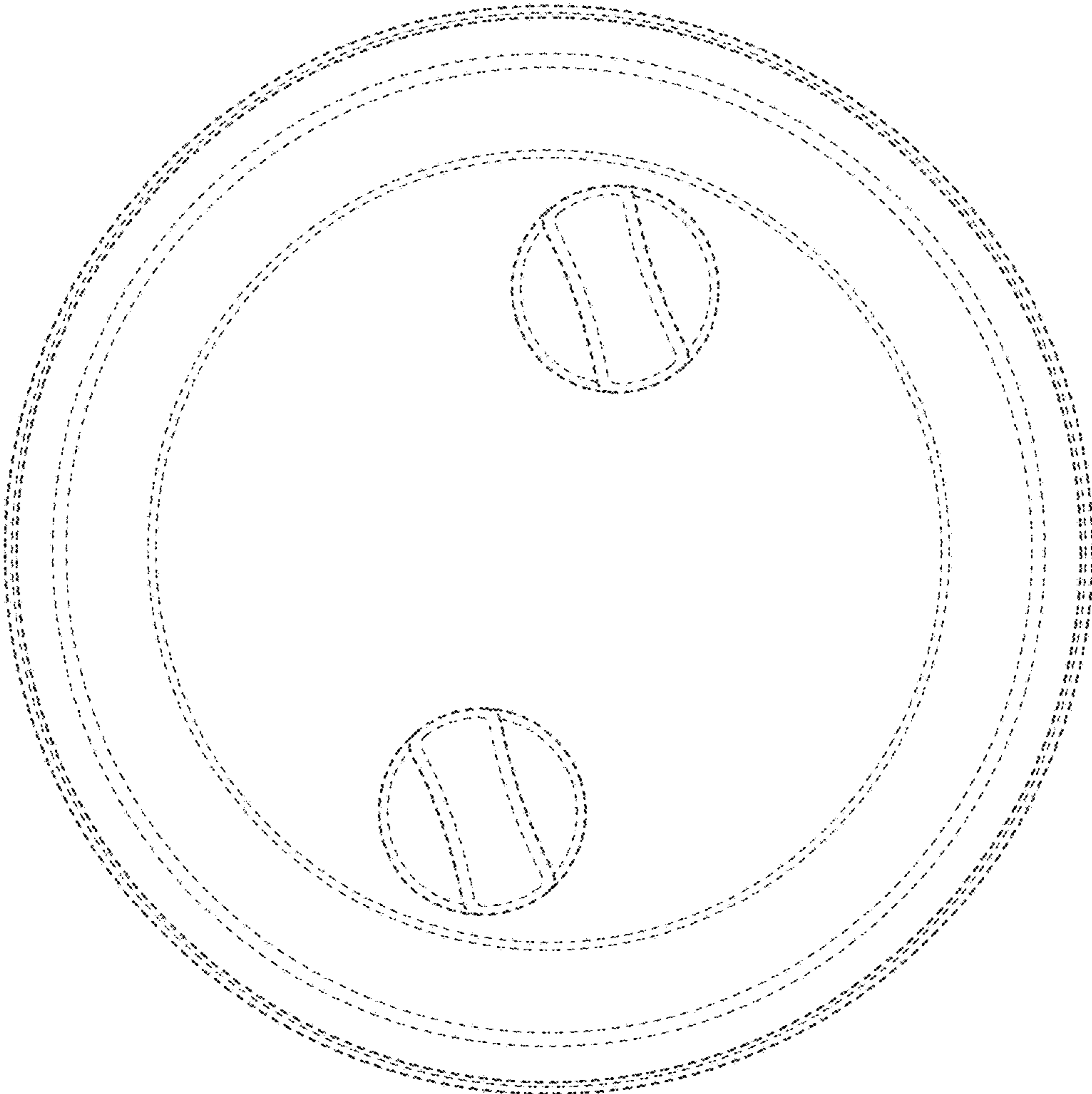


FIG. 6

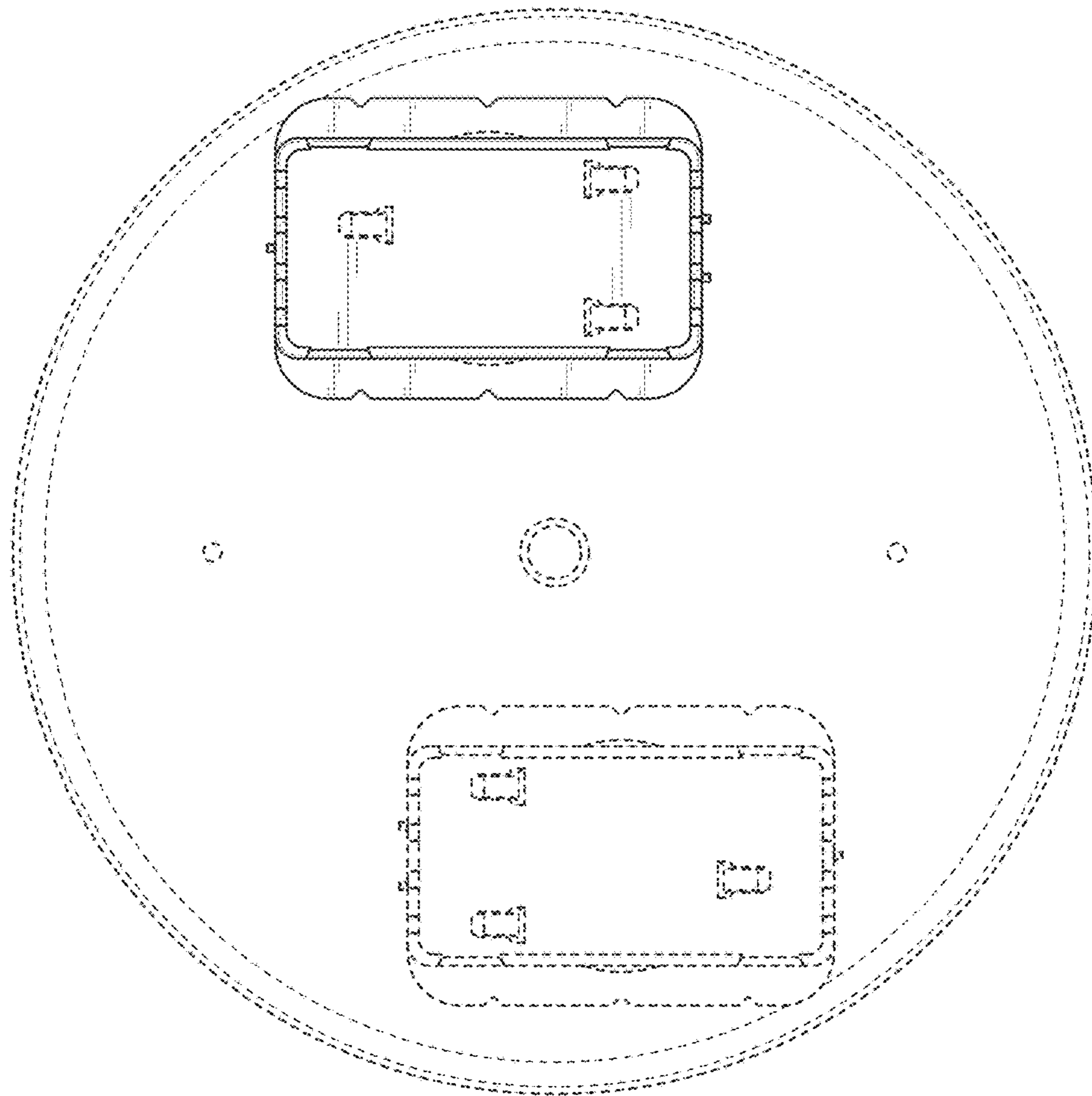


FIG. 7

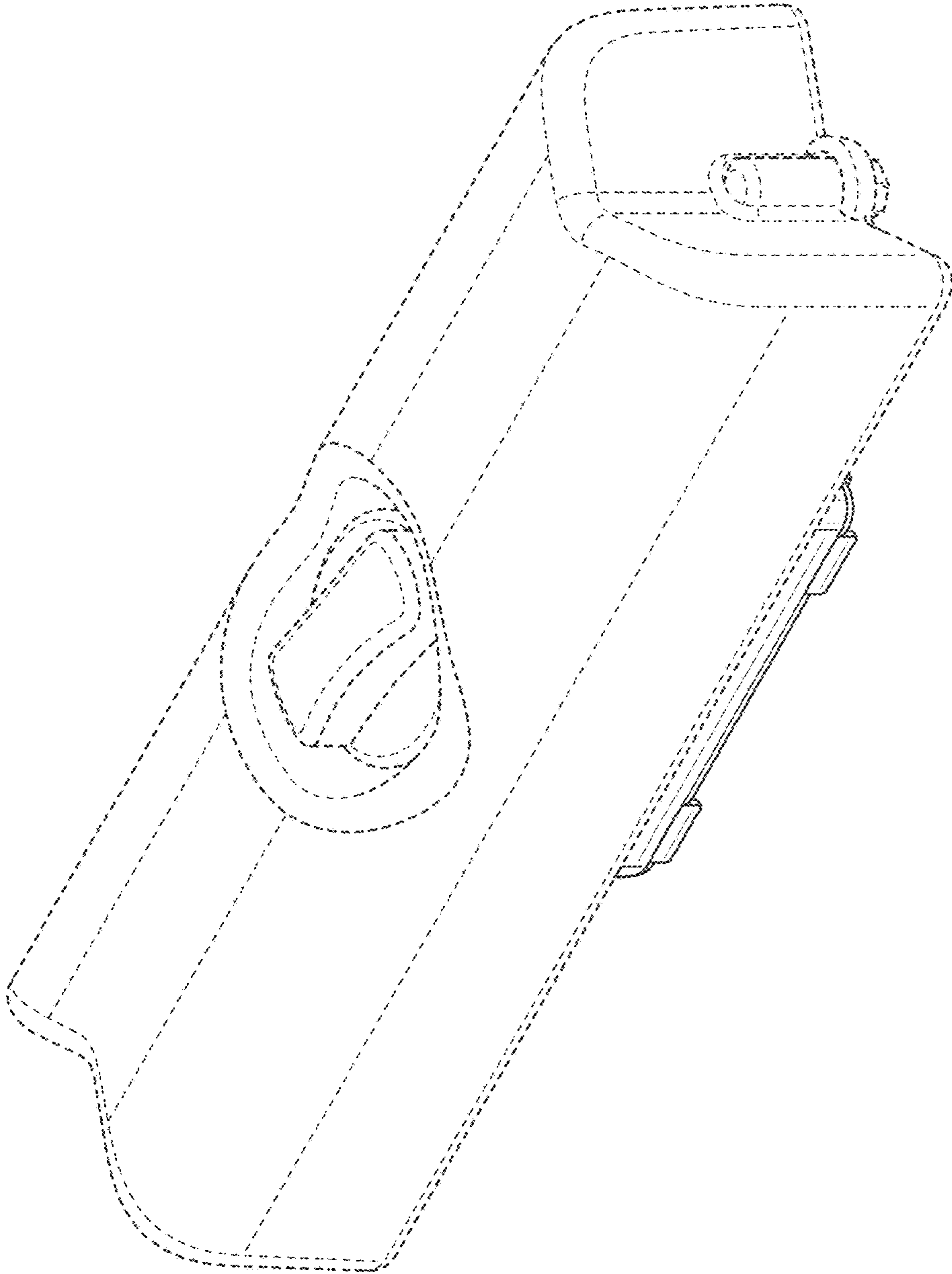


FIG. 8

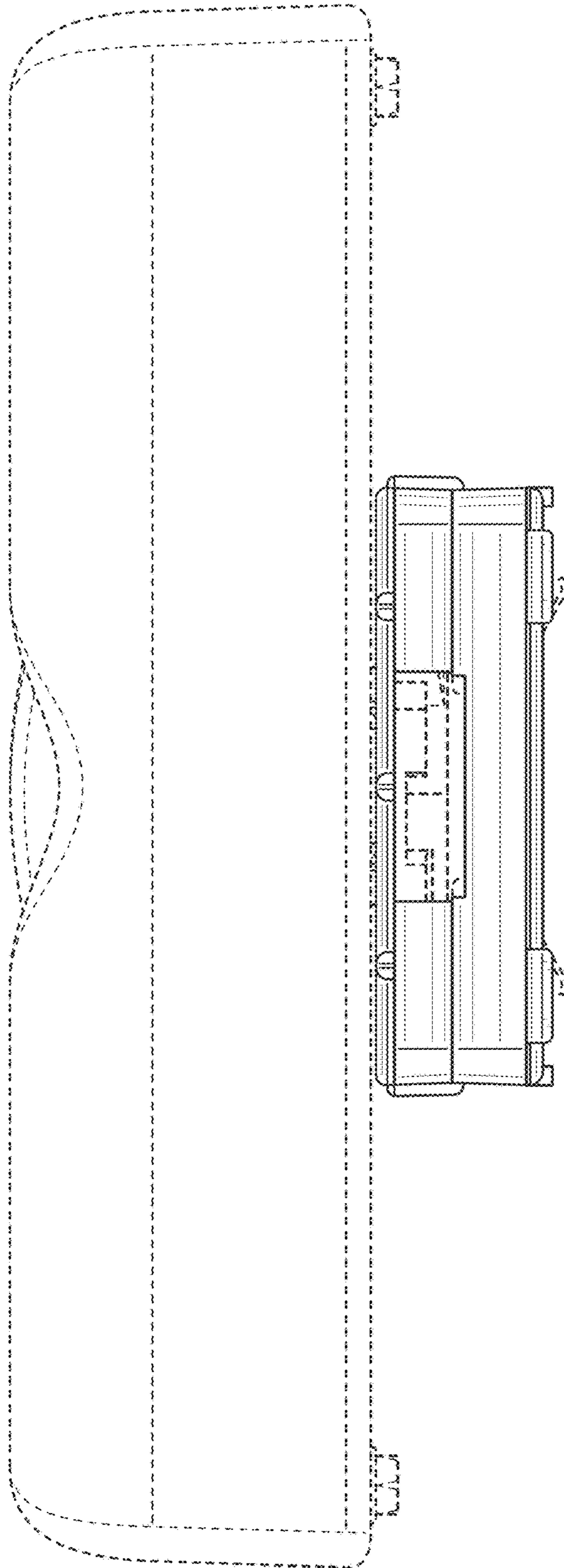


FIG. 9

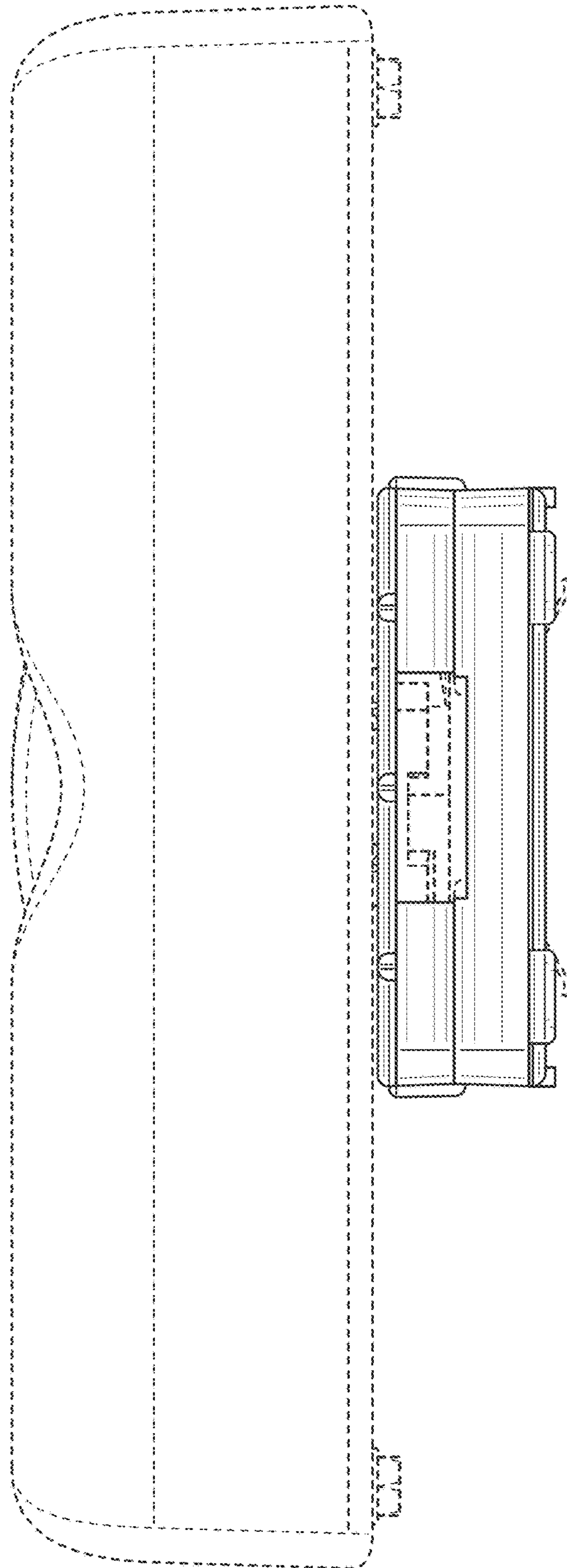


FIG. 10

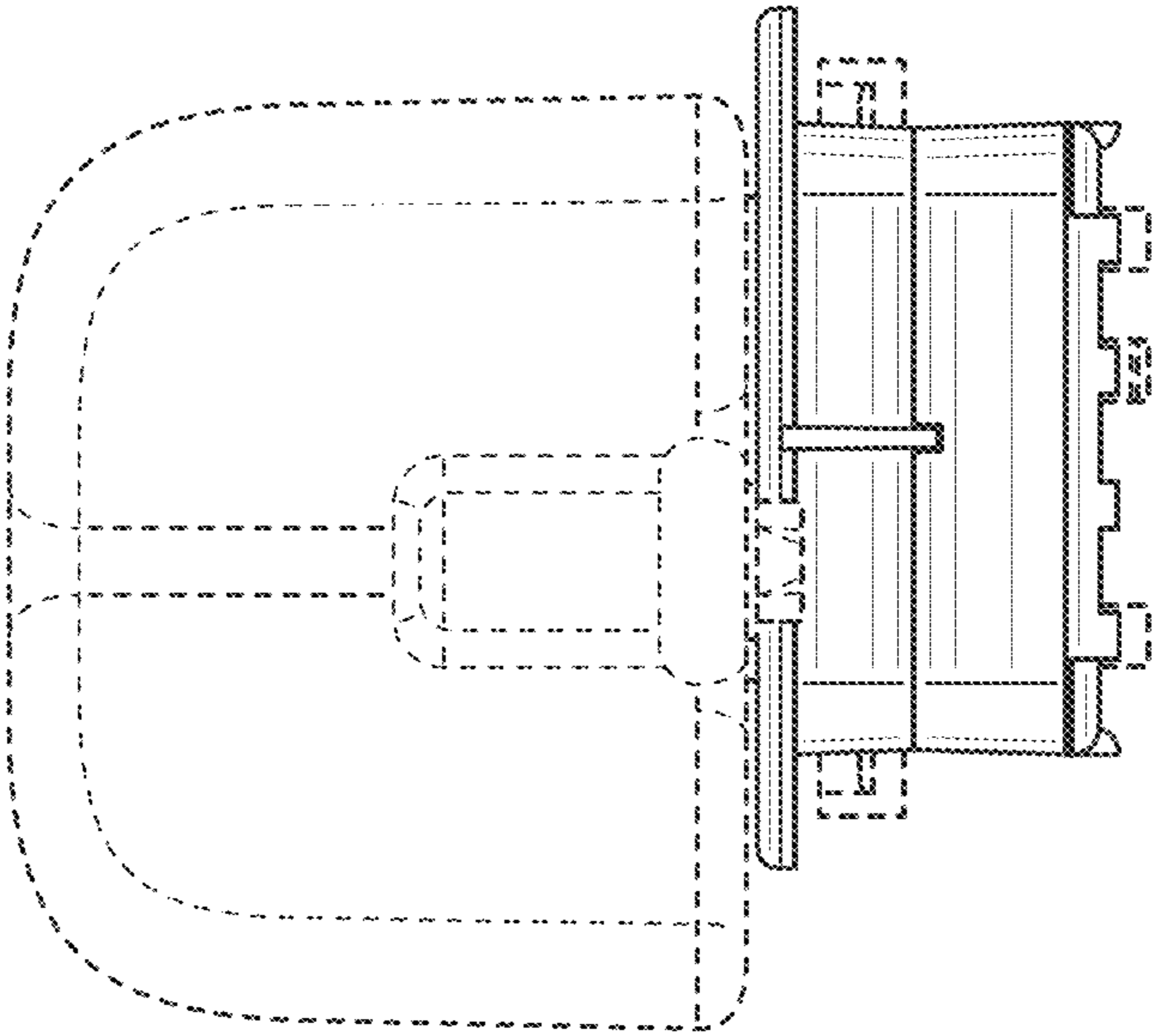


FIG. 11

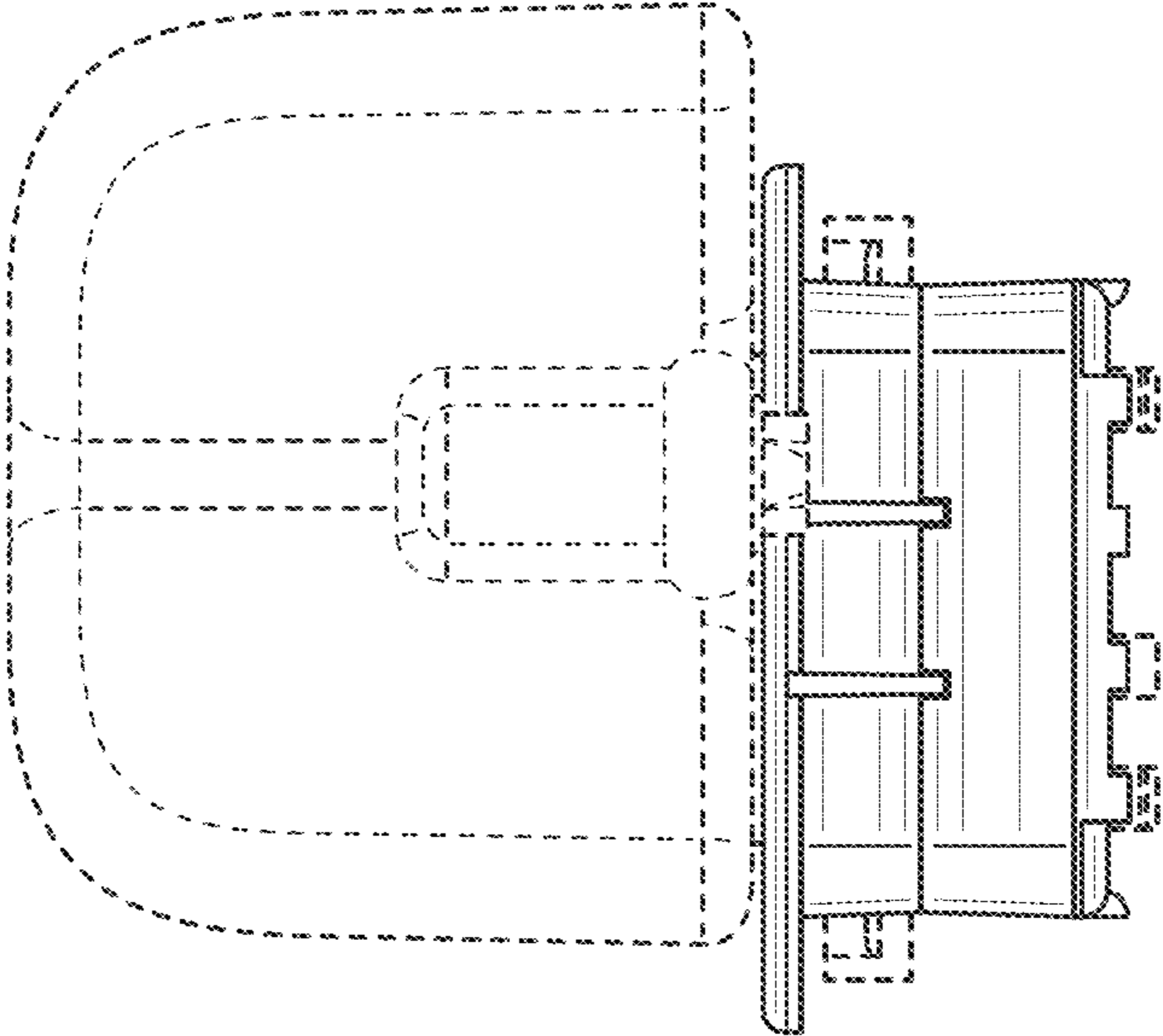


FIG. 12

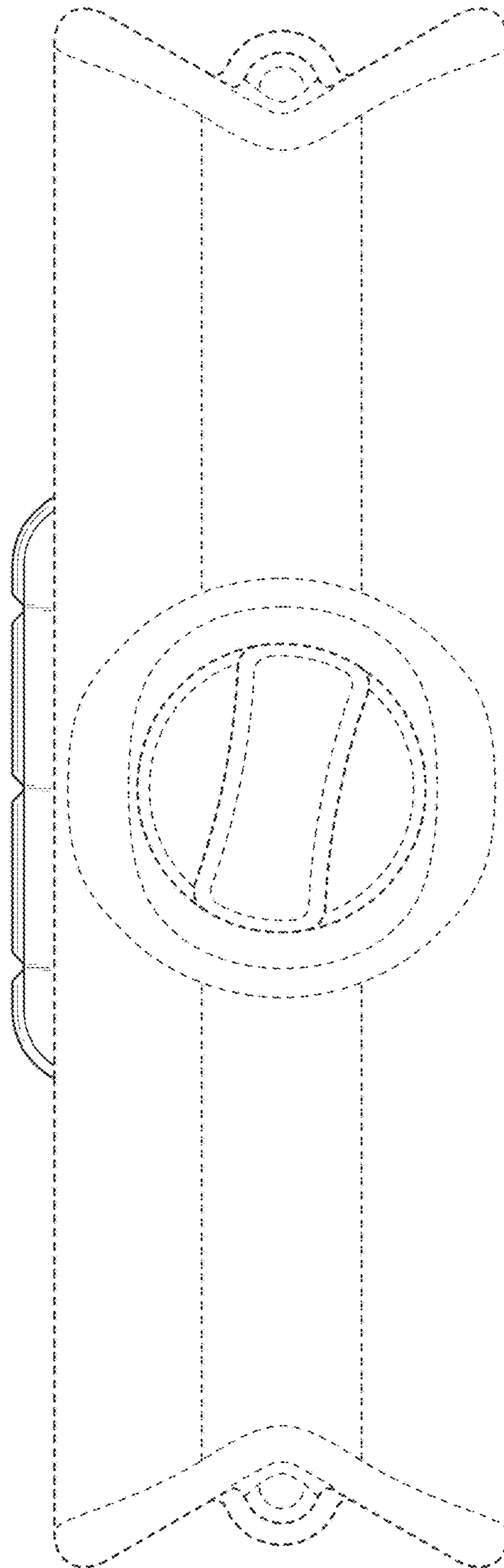


FIG. 13

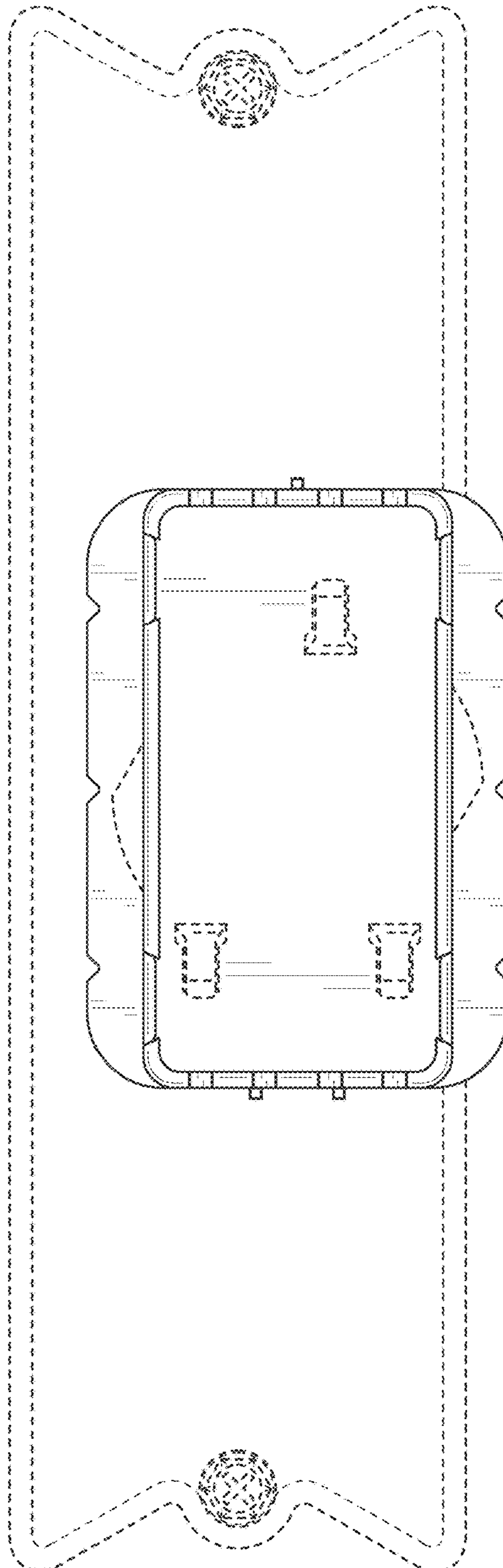


FIG. 14

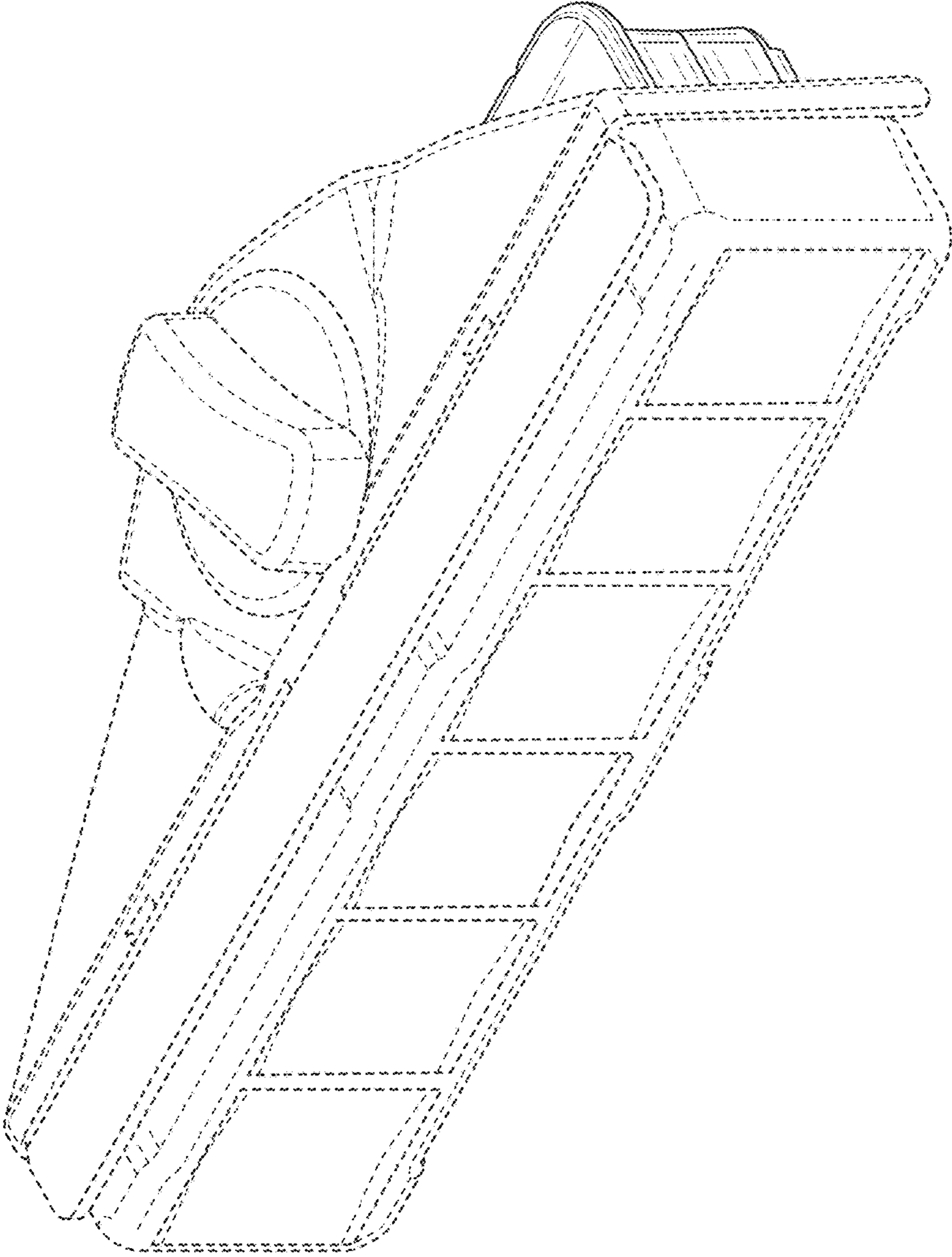


FIG. 15

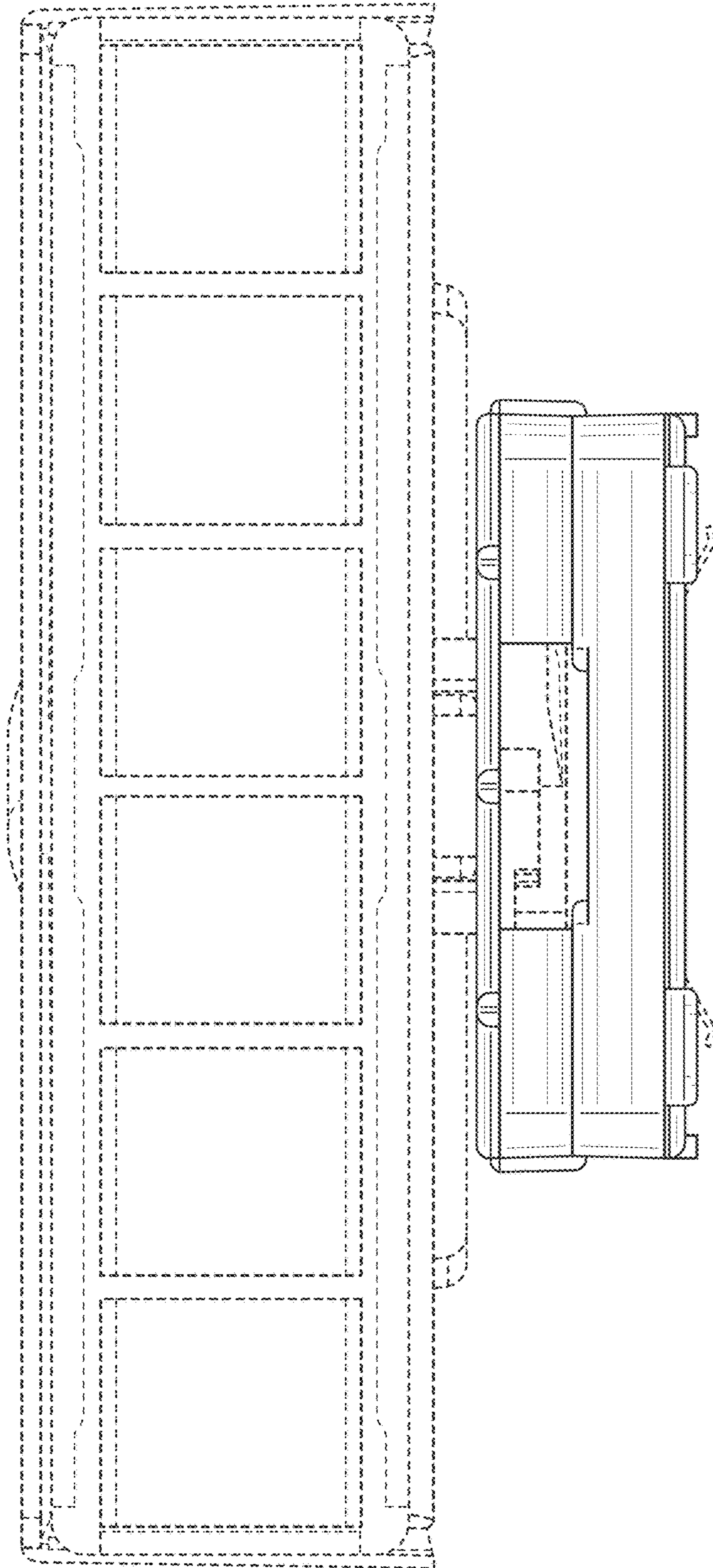


FIG. 16

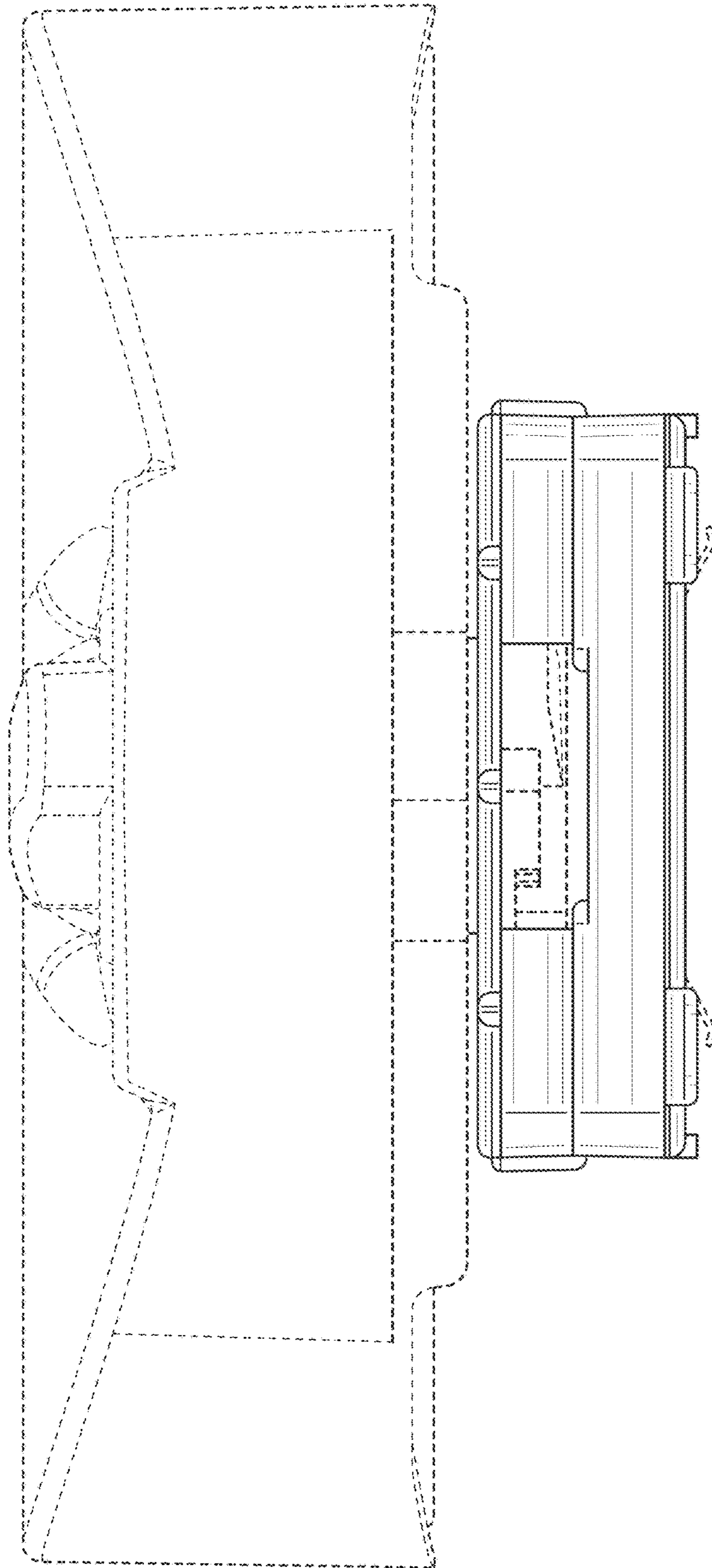


FIG. 17

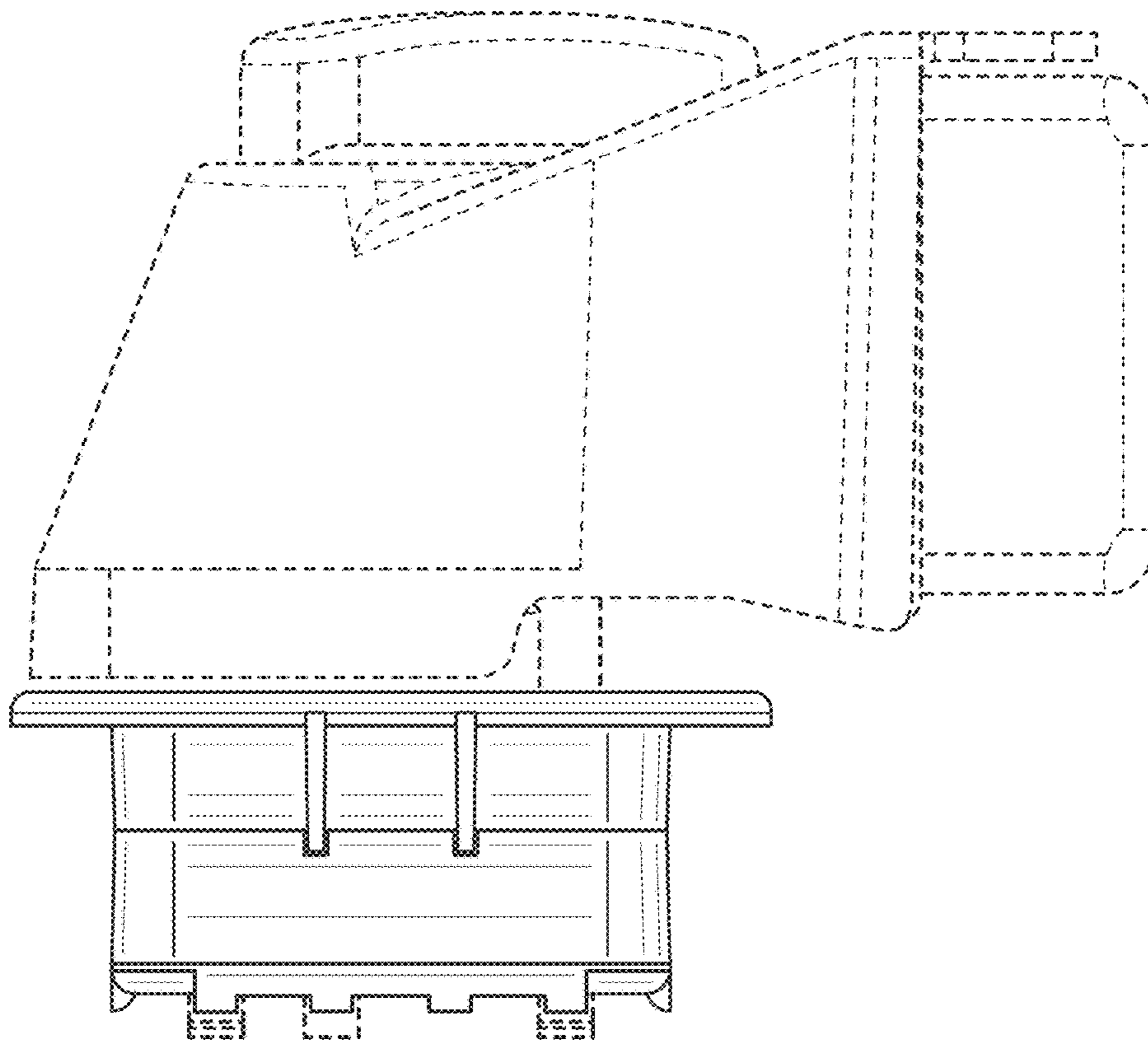


FIG. 18

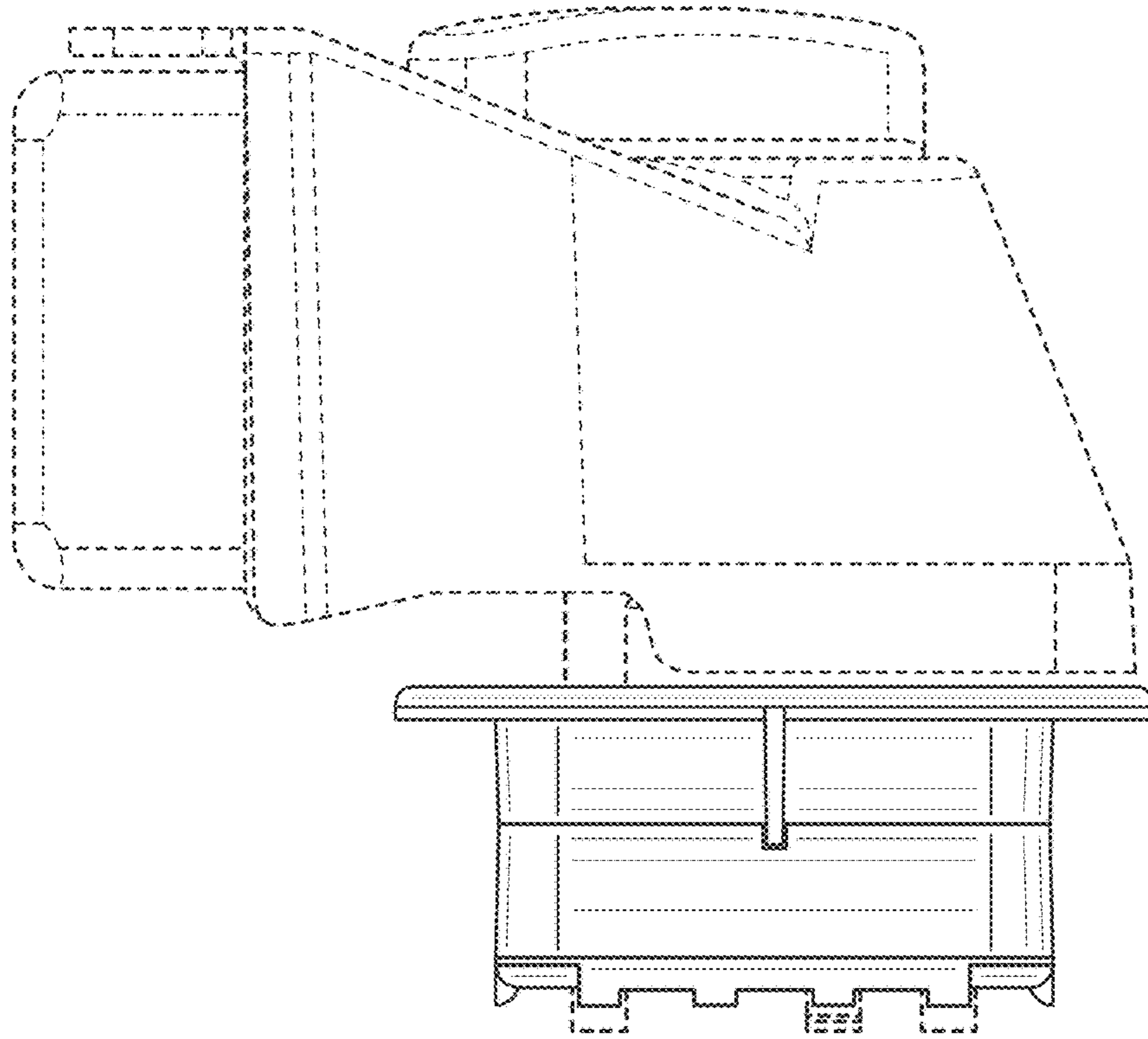


FIG. 19

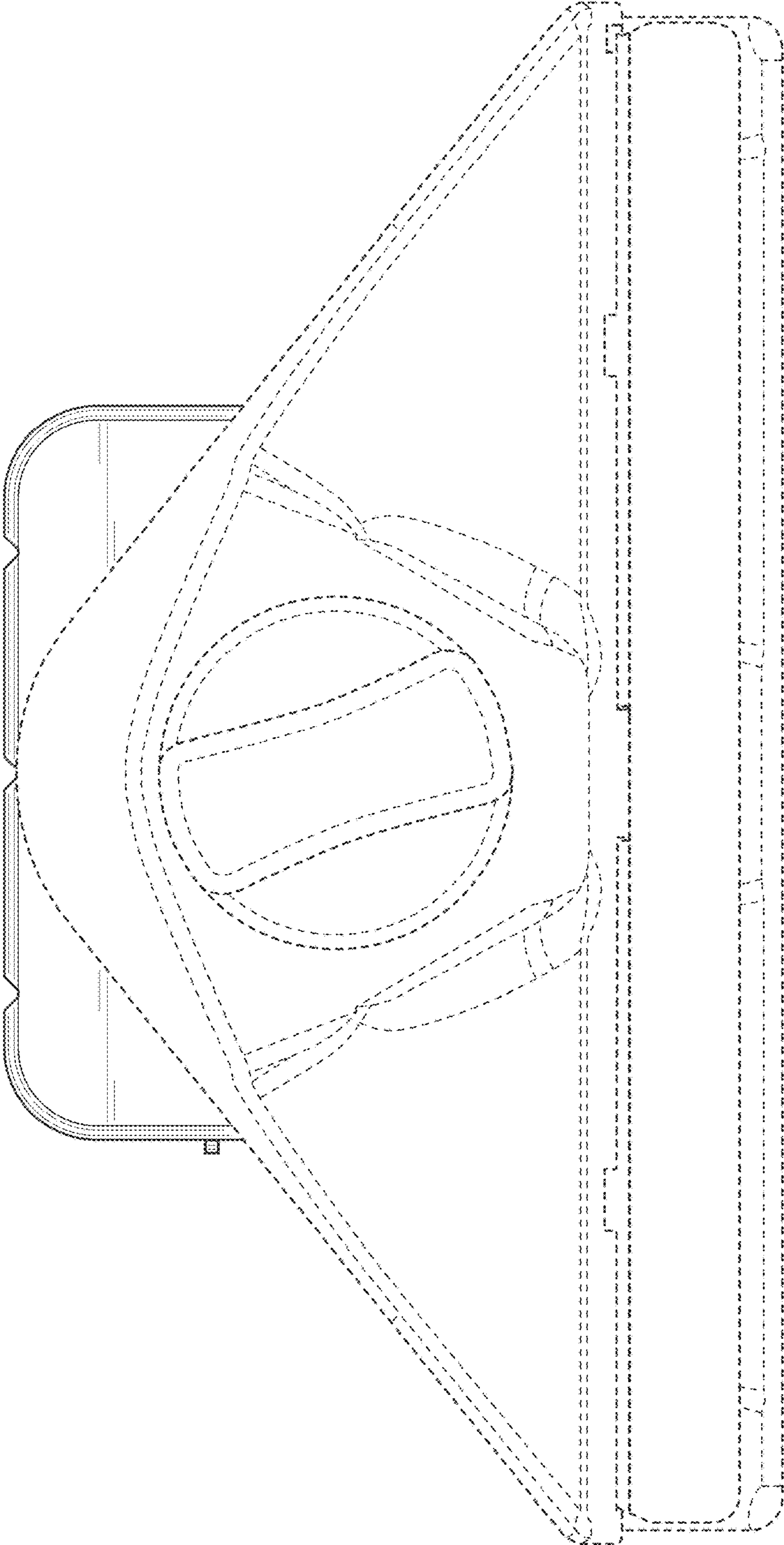


FIG. 20

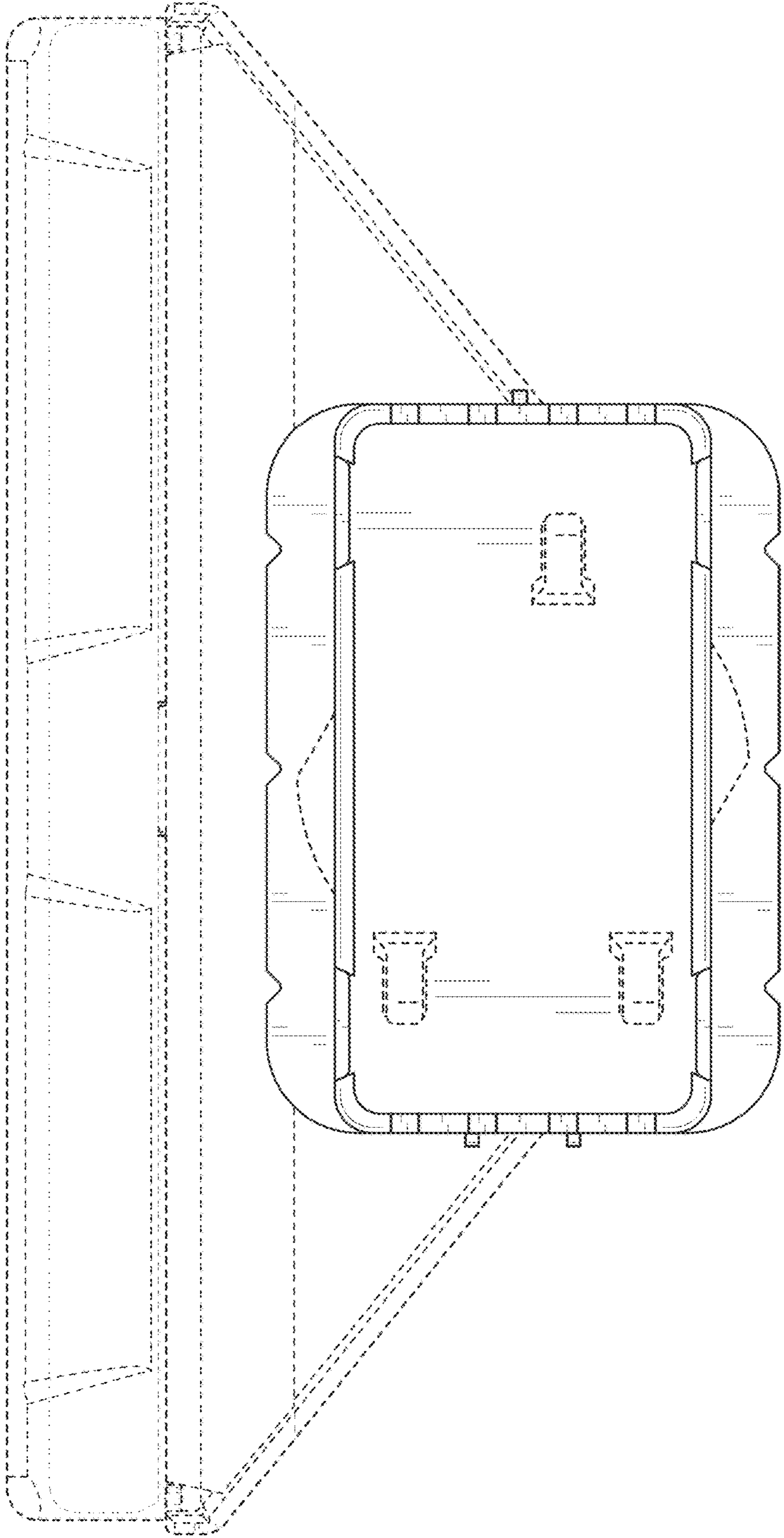


FIG. 21

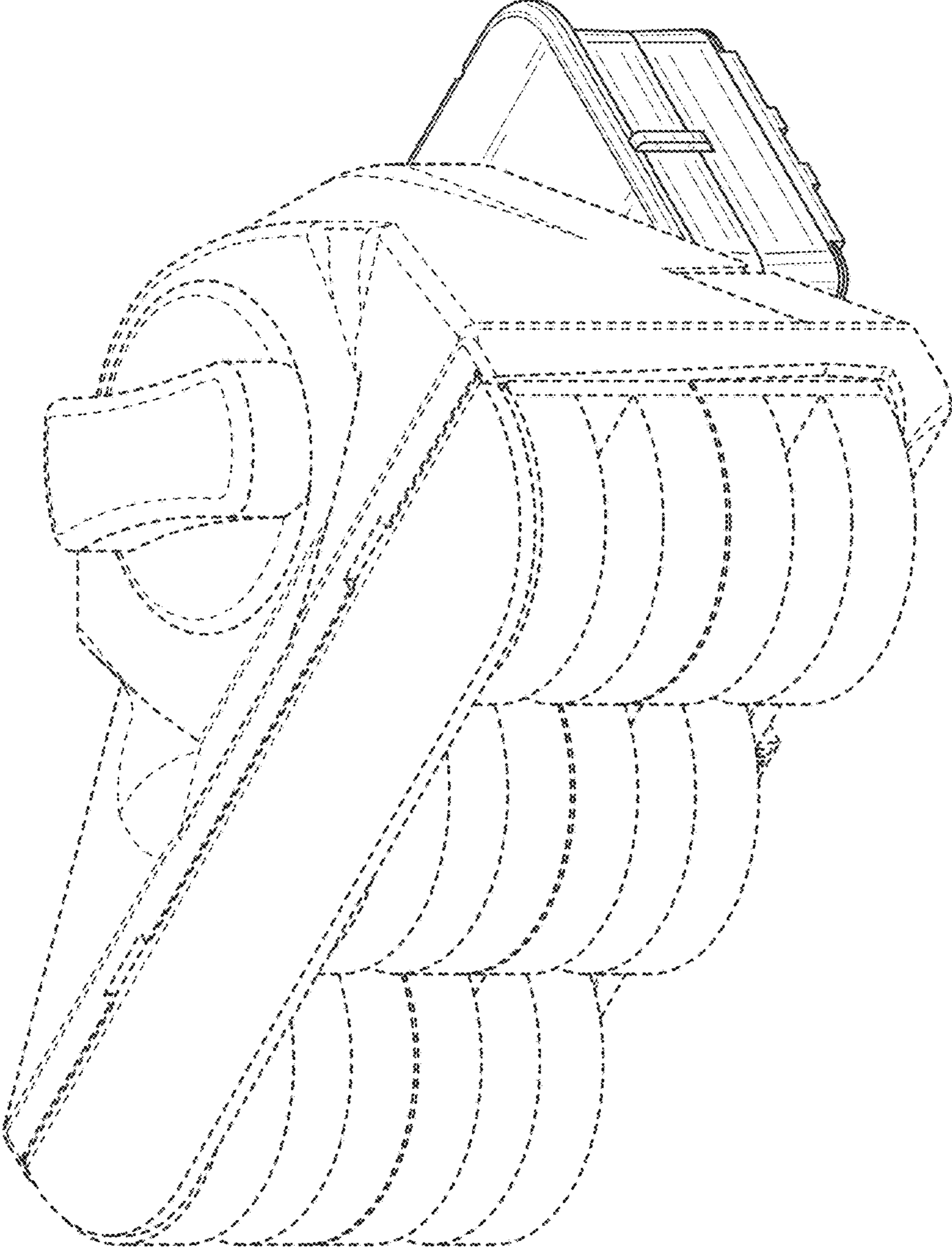


FIG. 22

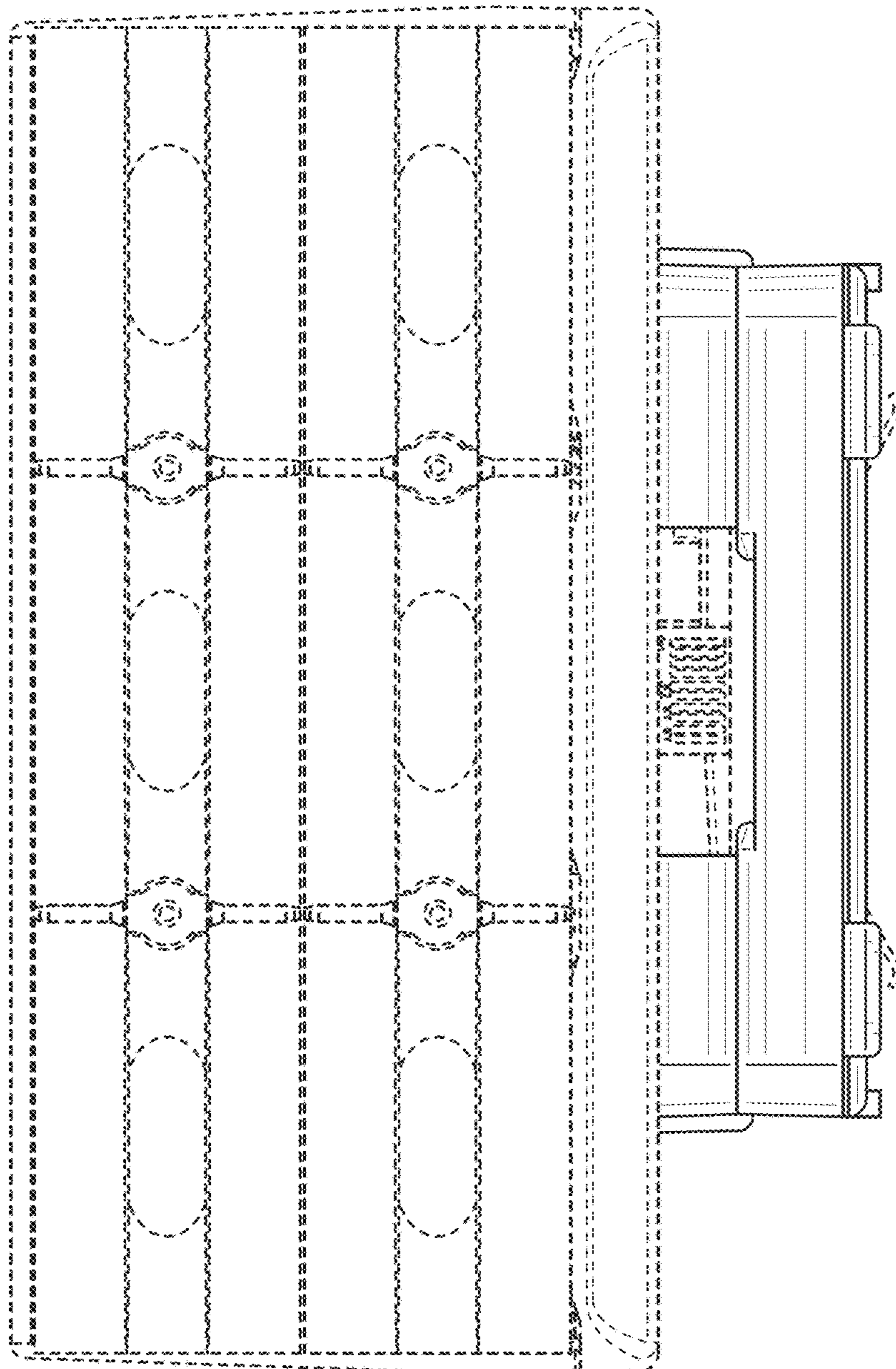


FIG. 23

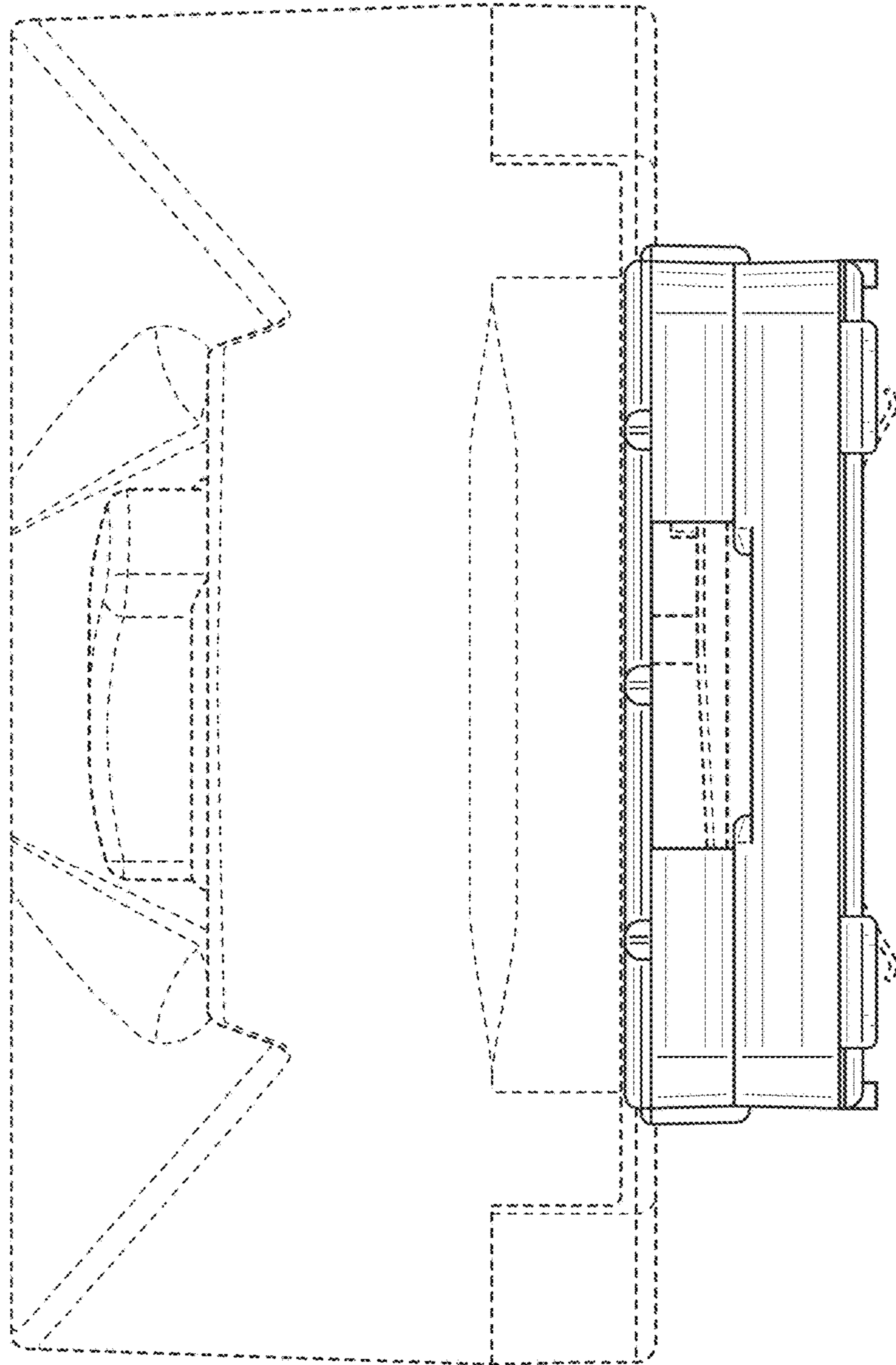


FIG. 24

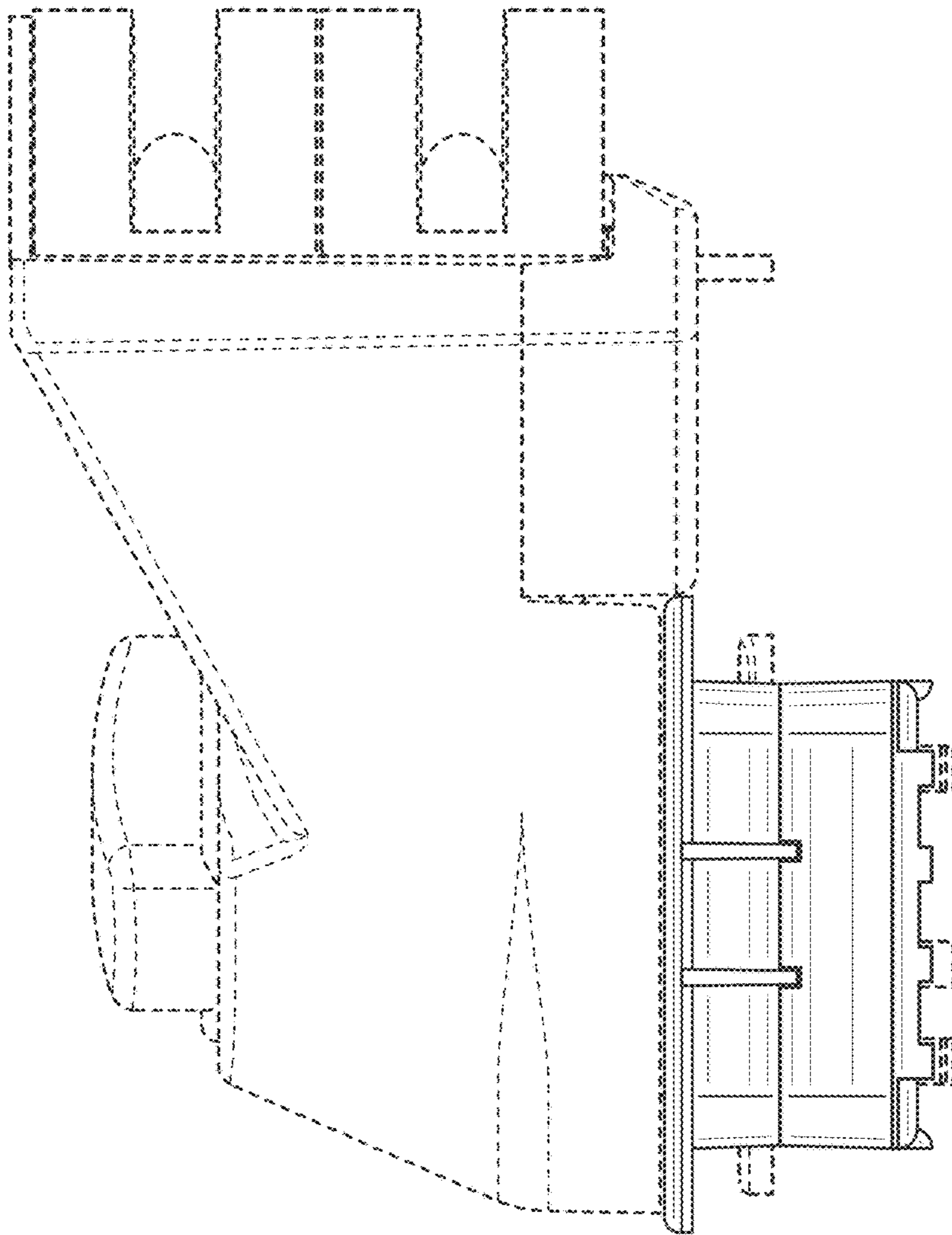


FIG. 25

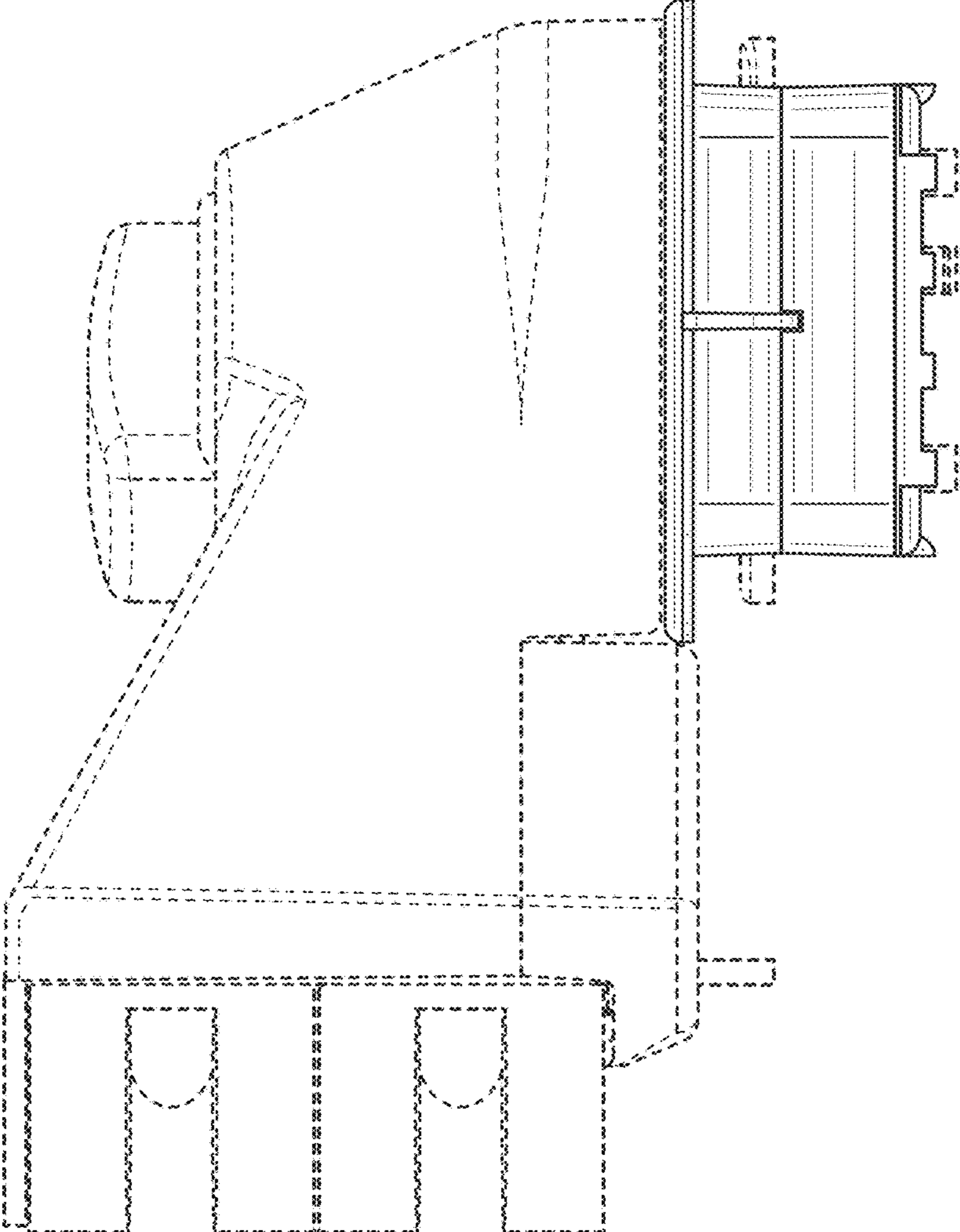


FIG. 26

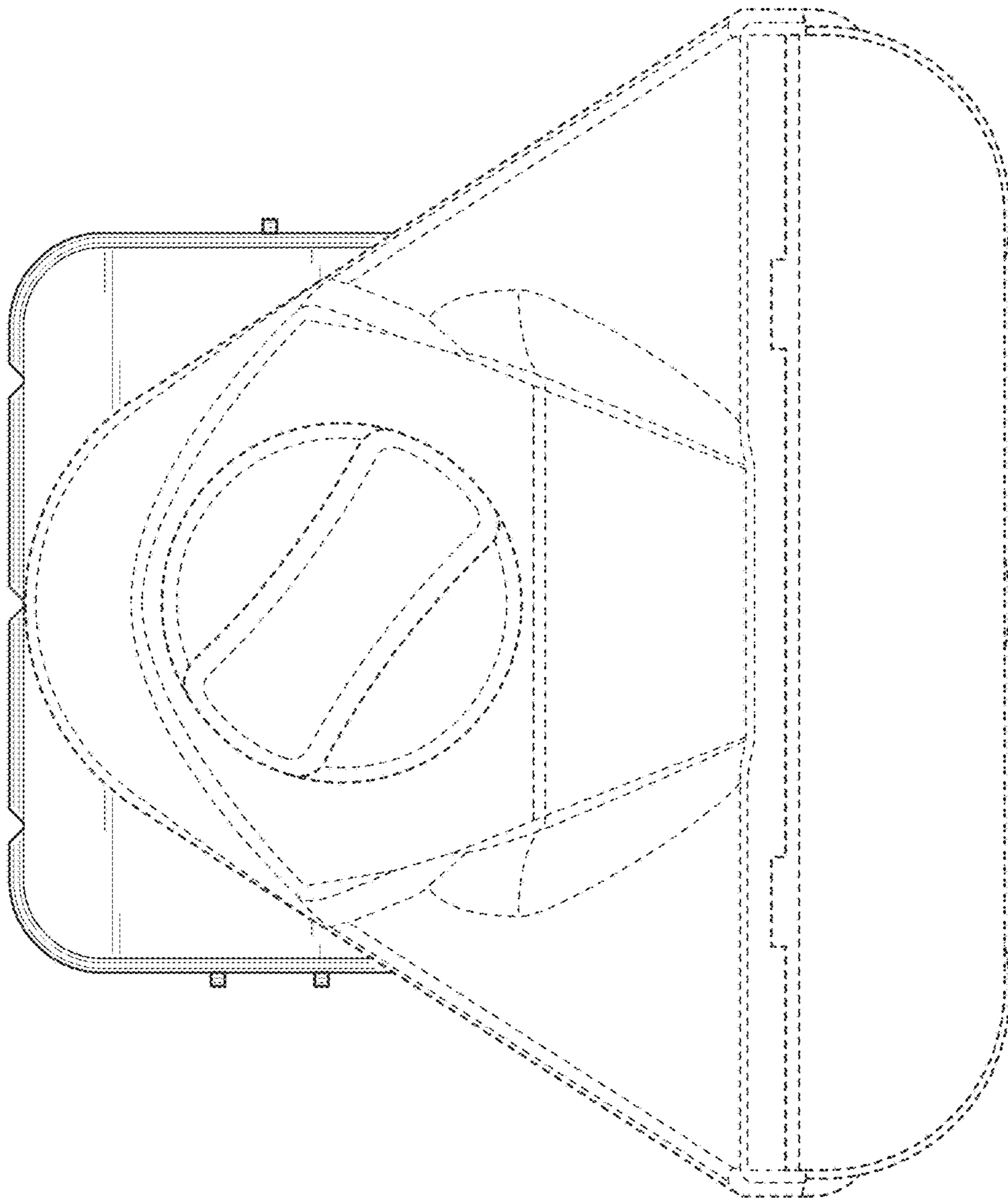


FIG. 27

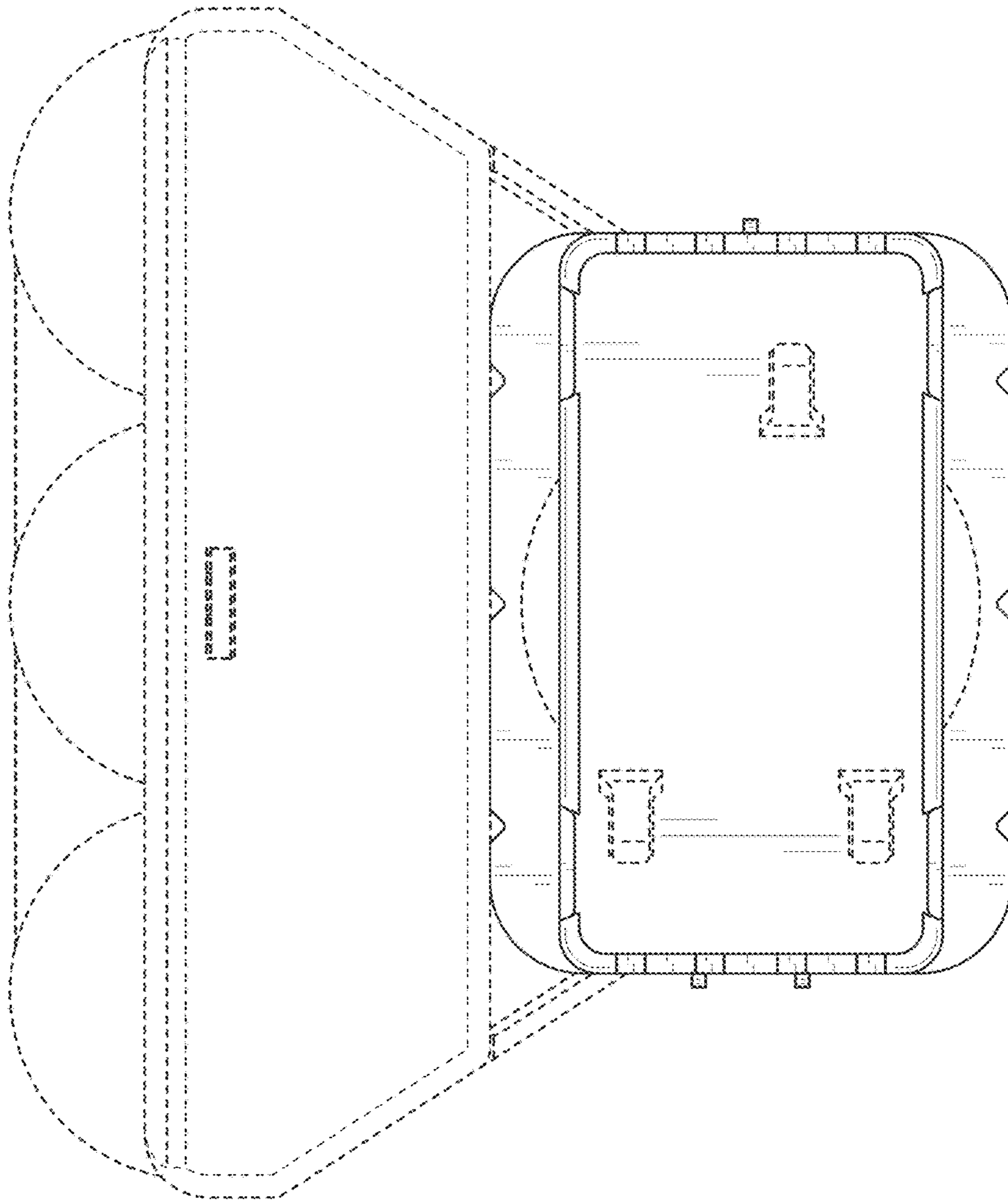


FIG. 28