



US00D817796S

(12) **United States Design Patent**
Laurentin

(10) **Patent No.:** **US D817,796 S**
(45) **Date of Patent:** **** May 15, 2018**

(54) **BEEHIVE WEIGHT CONTROLLER**

(71) Applicant: **BEE ANGELS**, Fleury-les-Aubrais (FR)
(72) Inventor: **Bertrand M Laurentin**, Orleans (FR)
(73) Assignee: **BEE ANGELS**, Fleury-les-Aubrais (FR)

(**) Term: **15 Years**

(21) Appl. No.: **29/572,523**

(22) Filed: **Jul. 28, 2016**

(30) **Foreign Application Priority Data**

Jan. 28, 2016 (EM) 002963132

(51) **LOC (11) Cl.** **10-04**

(52) **U.S. Cl.**
USPC **D10/87**

(58) **Field of Classification Search**
USPC D10/46, 83, 84, 87-92
CPC G01G 21/28; G01G 21/283; G01G 21/286;
G01G 21/30; G01G 23/37; G01G
23/3728; G01G 23/3735

See application file for complete search history.

(56) **References Cited**

U.S. PATENT DOCUMENTS

4,047,584 A * 9/1977 Daly G01G 3/1404
177/1

* cited by examiner

Primary Examiner — Antoine Duval Davis

(74) *Attorney, Agent, or Firm* — Porzio Bromberg & Newman P.C.

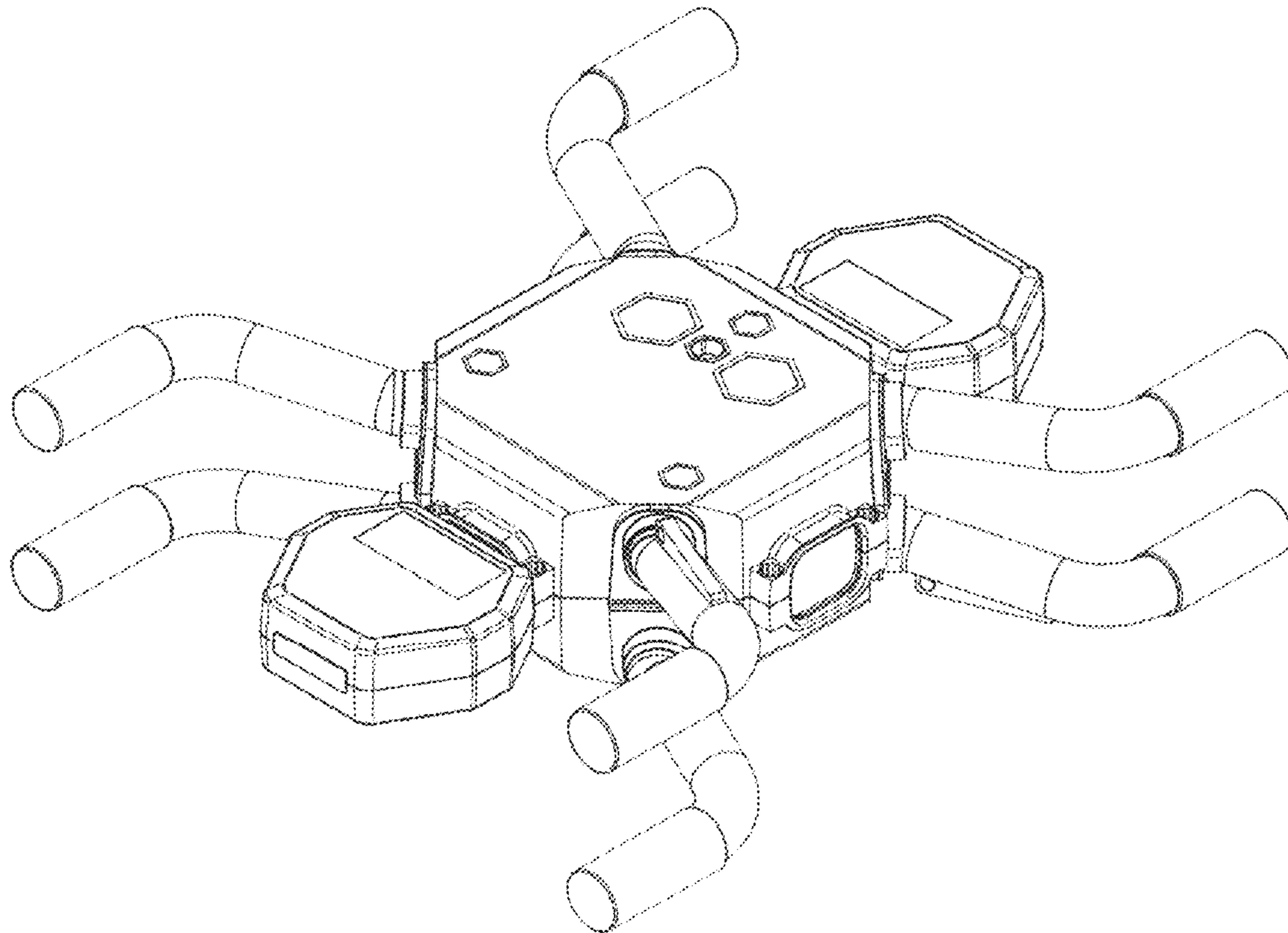
(57) **CLAIM**

I claim, the ornamental design for beehive weight controller, as shown and described.

DESCRIPTION

FIG. 1 is a perspective view, showing my new design;
FIG. 2 is a top view thereof;
FIG. 3 is a bottom view thereof;
FIG. 4 is a side view thereof;
FIG. 5 is a front view thereof; and,
FIG. 6 is a rear view thereof.

1 Claim, 6 Drawing Sheets



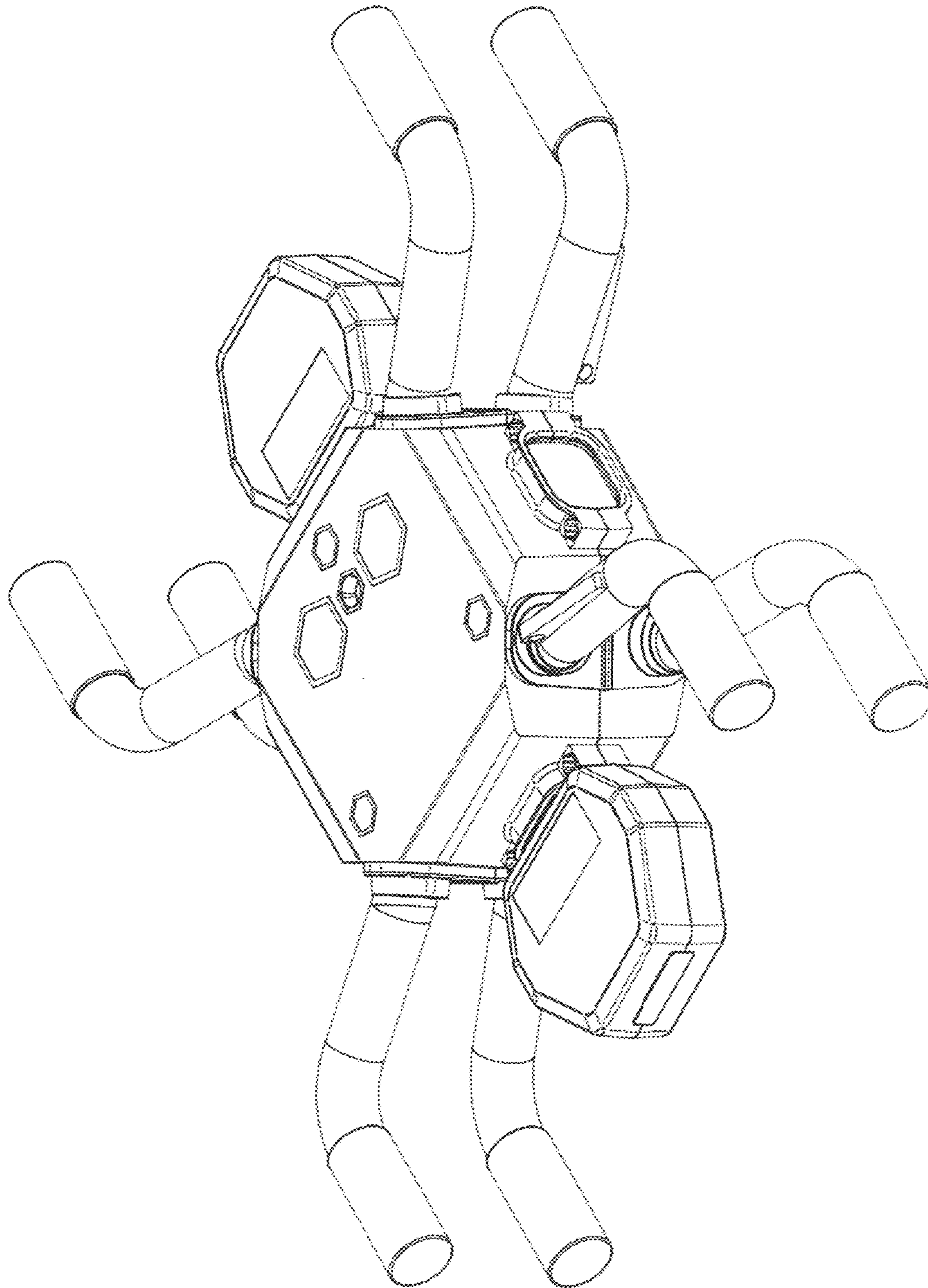


FIG. 1

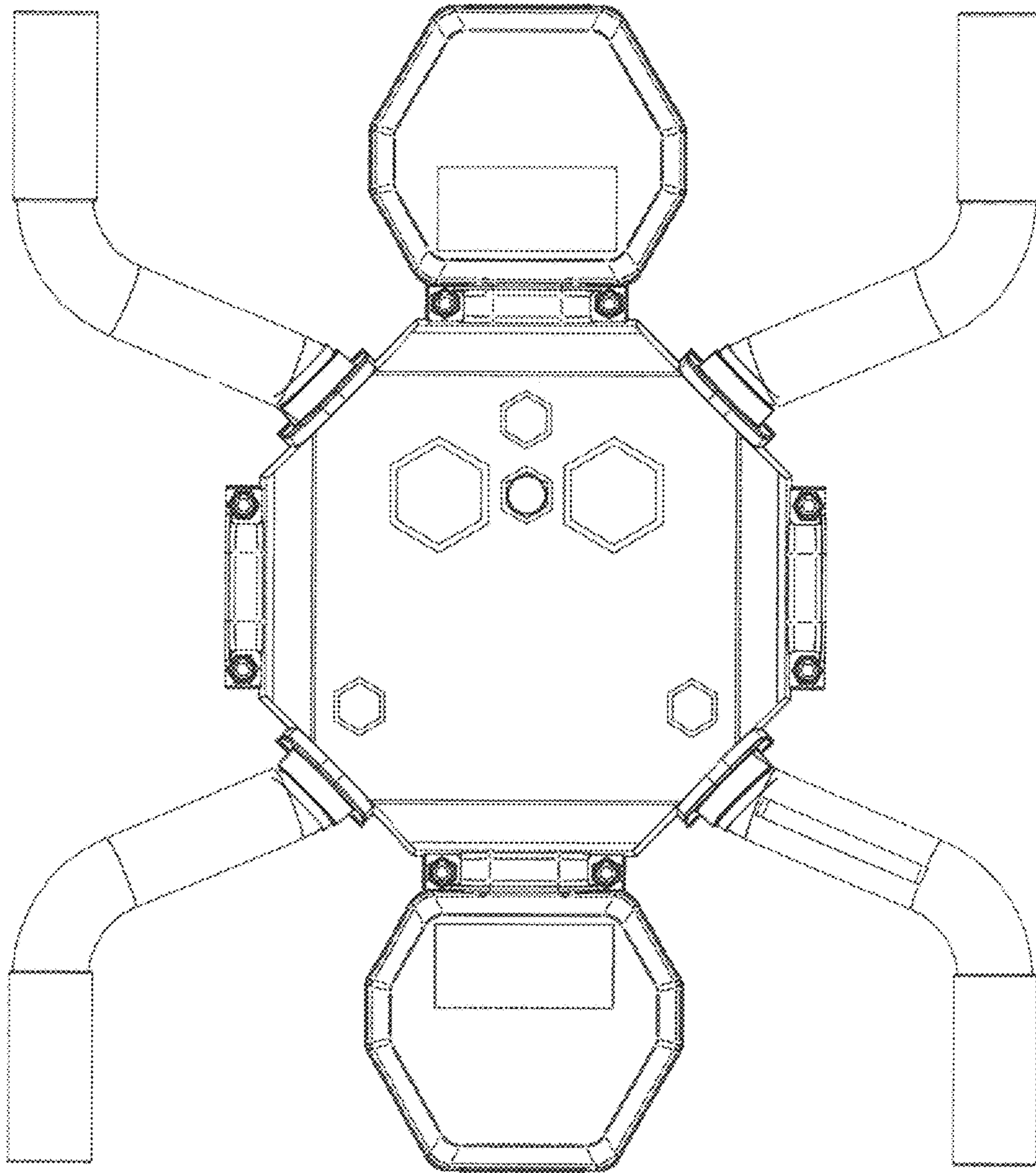


FIG. 2

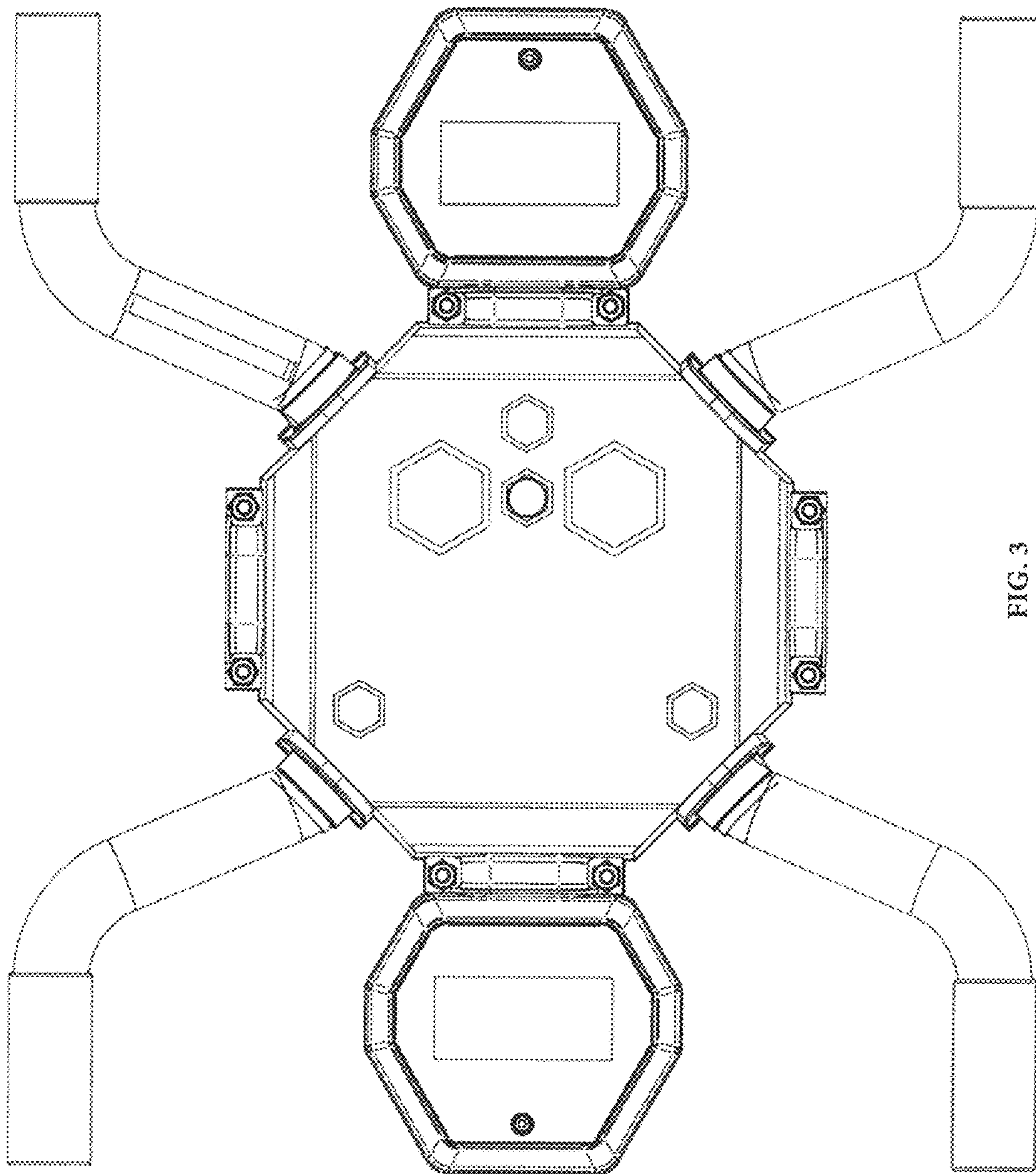


FIG. 3

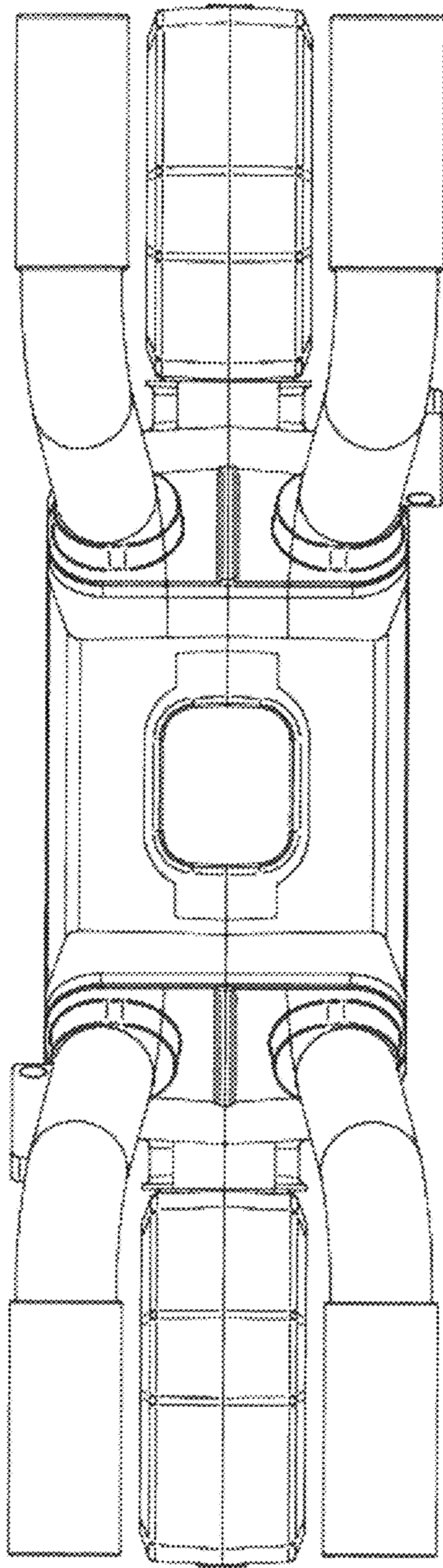


FIG. 4

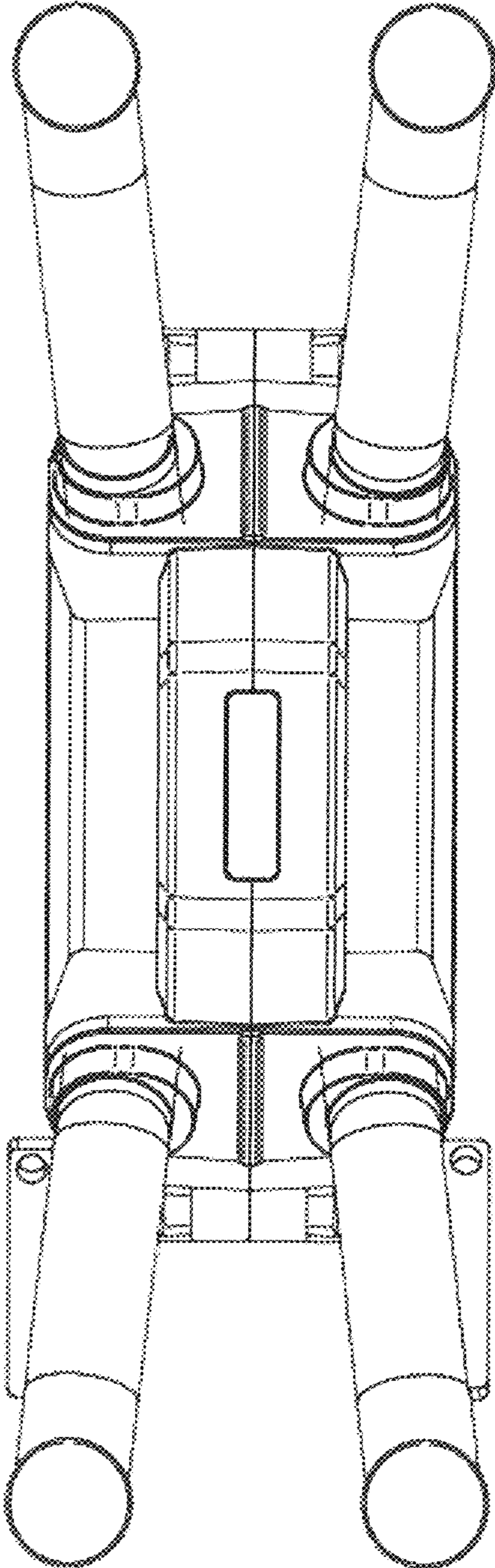


FIG. 5

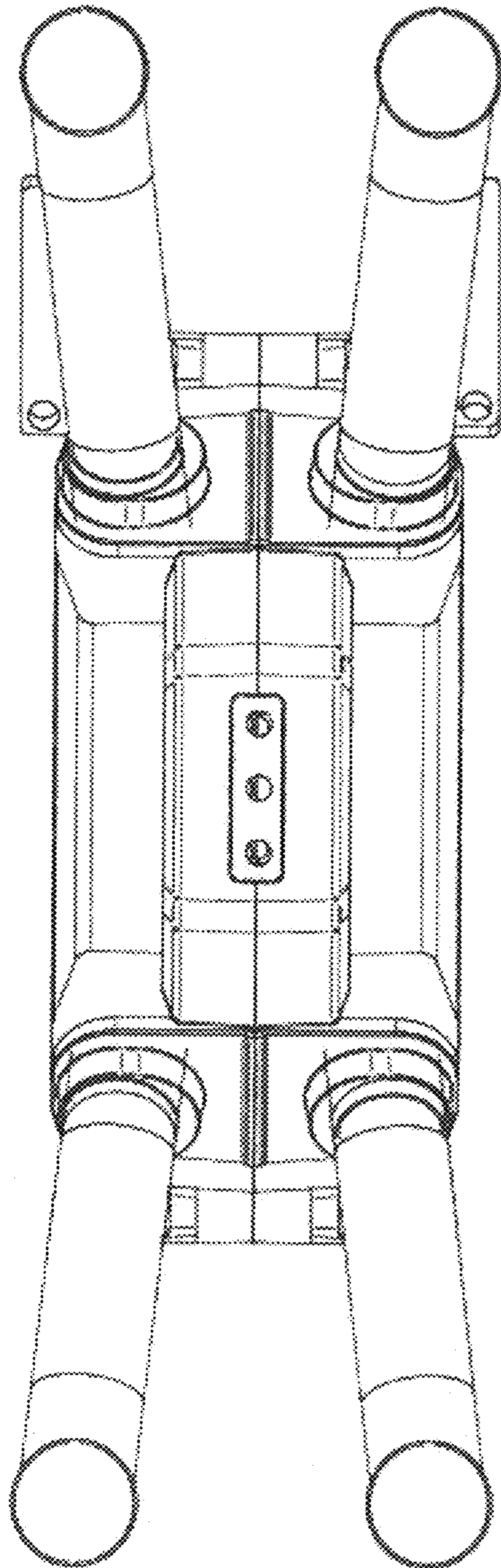


FIG. 6