



US00D817795S

(12) **United States Design Patent**  
**Fürer et al.**

(10) **Patent No.:** **US D817,795 S**

(45) **Date of Patent:** **\*\* May 15, 2018**

(54) **PRESSURE MEASURING DEVICE**

D800,258 S \* 10/2017 Komatsuzaki ..... D23/235  
D802,716 S \* 11/2017 Asaba ..... D23/233  
D803,082 S \* 11/2017 Banschbach ..... D10/85

(71) Applicant: **KISTLER HOLDING AG**, Winterthur  
(CH)

\* cited by examiner

(72) Inventors: **Daniel Fürer**, Zürich (CH);  
**Sonderegger Christof**, Frauenfeld  
(CH); **Buerki Daniel**, Effretikon (CH)

*Primary Examiner* — George D. Kirschbaum

(\*\*) Term: **15 Years**

(57) **CLAIM**

The ornamental design for a pressure measuring device, as shown and described.

(21) Appl. No.: **35/501,972**

**DESCRIPTION**

(22) Filed: **Sep. 1, 2016**

(80) **Hague Agreement Data**

Int. Filing Date: **Sep. 1, 2016**  
Int. Reg. No.: **DM/093494**  
Int. Reg. Date: **Sep. 1, 2016**  
Int. Reg. Pub. Date: **Nov. 25, 2016**

- 1. Pressure measuring device
- 1.1 is a right side view.
- 1.2 is a left side view.
- 1.3 is a front view.
- 1.4 is a back view.
- 1.5 is a top perspective view.
- 1.6 is a top view.
- 1.7 is a second top perspective view.
- 1.8 is a front view.
- 1.9 is a right side view.
- 1.10 is a back view.
- 1.11 is a left side view.
- 1.12 is a top perspective view.
- 1.13 is a second top perspective view.
- 1.14 is an enlarged view.
- 1.15 is an enlarged view.
- 1.16 is an enlarged view.
- 1.17 is an enlarged view.
- 1.18 is a top perspective enlarged view.
- 1.19 is a second top perspective enlarged view.
- 1.20 top enlarged view.
- 1.21 is a bottom enlarged view.

(51) **LOC (11) Cl.** ..... **10-04**

(52) **U.S. Cl.**  
USPC ..... **D10/85**

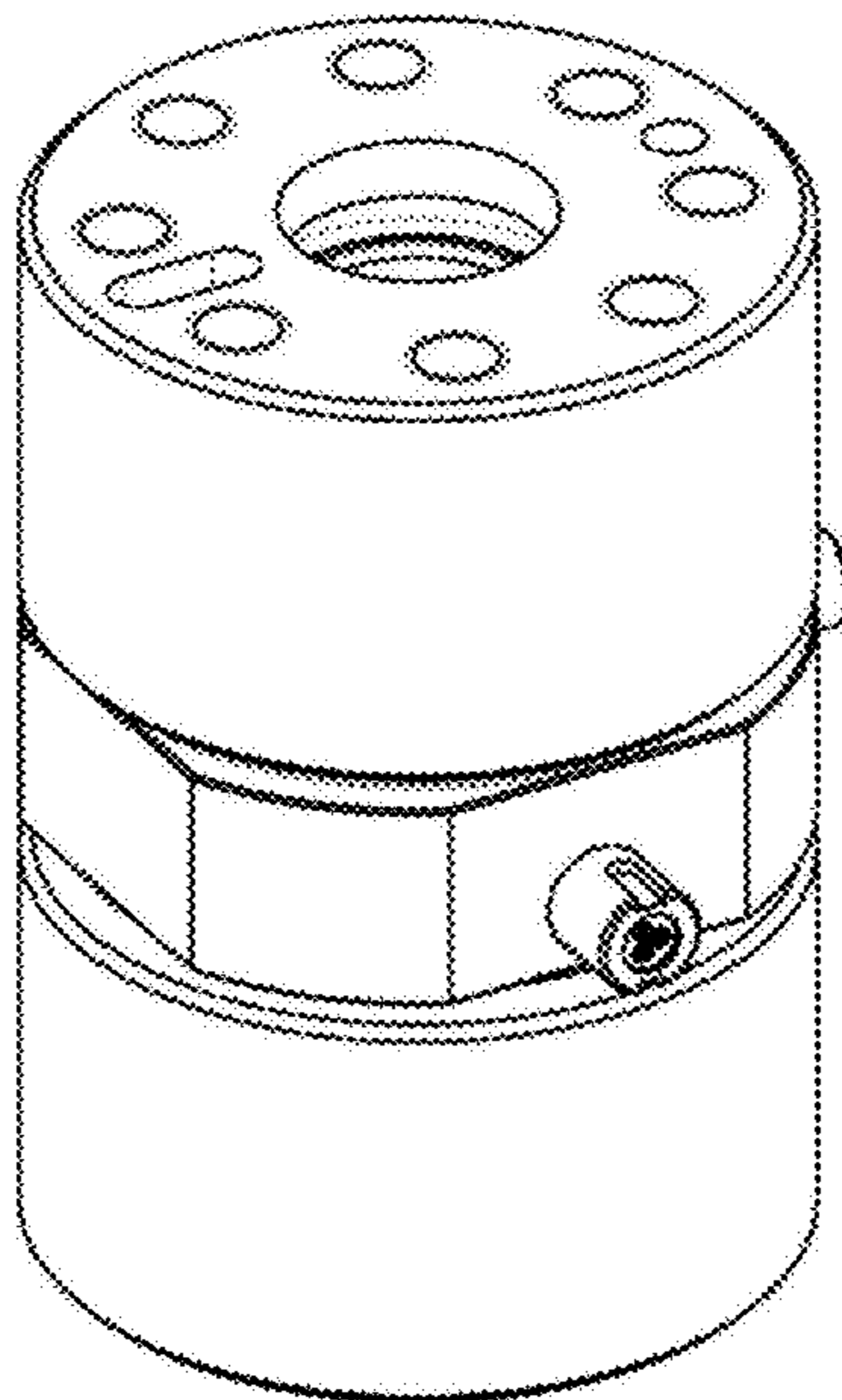
(58) **Field of Classification Search**  
USPC ..... D10/83, 85; D23/233, 235  
See application file for complete search history.

(56) **References Cited**

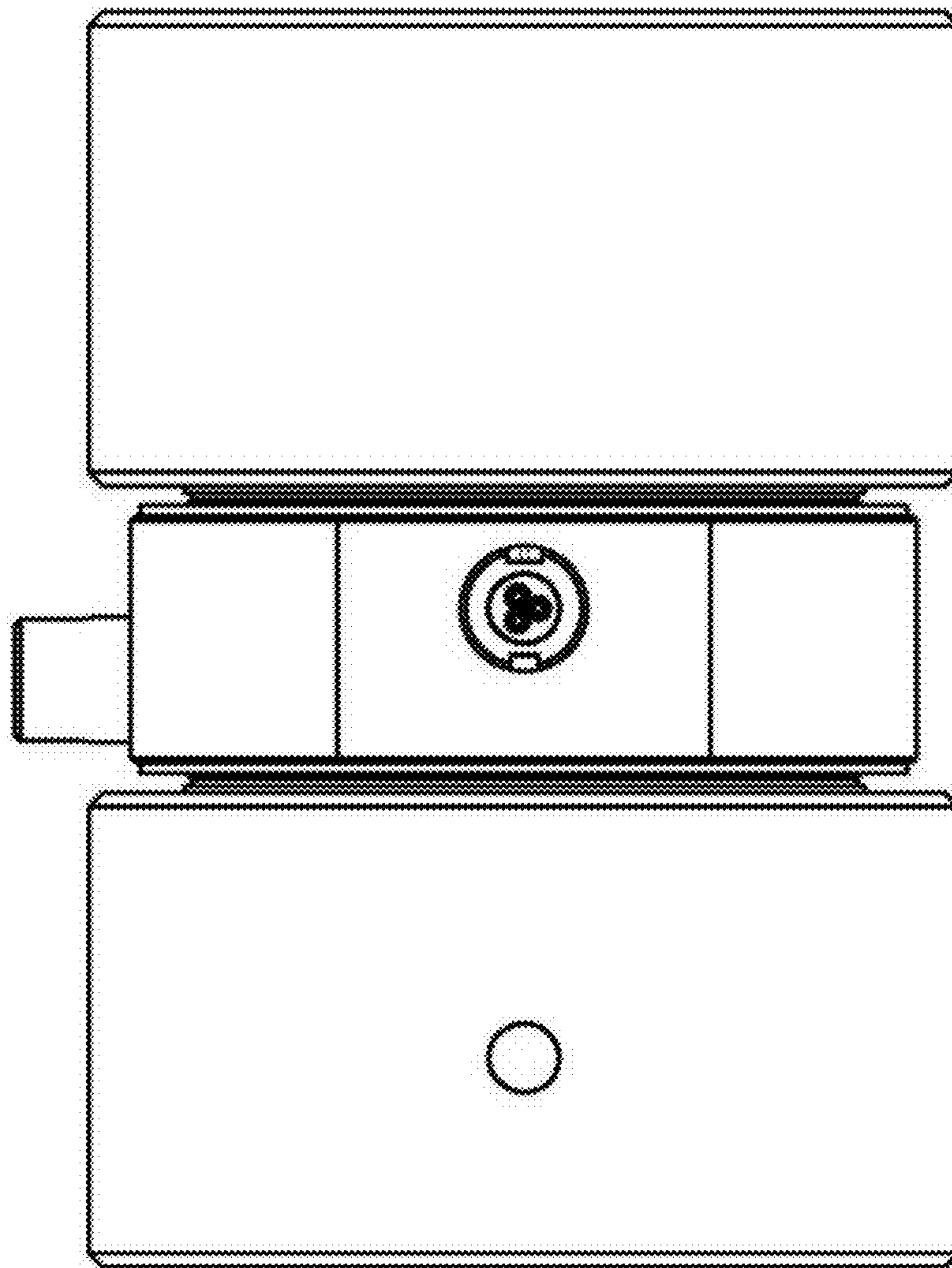
**U.S. PATENT DOCUMENTS**

D271,571 S \* 11/1983 Lonnstedt ..... D10/83  
D565,981 S 4/2008 Radecke et al.  
D571,681 S 6/2008 Radecke et al.  
D572,158 S 7/2008 Radecke et al.  
D577,300 S 9/2008 Radecke et al.  
D794,164 S \* 8/2017 Suzuki ..... D23/233

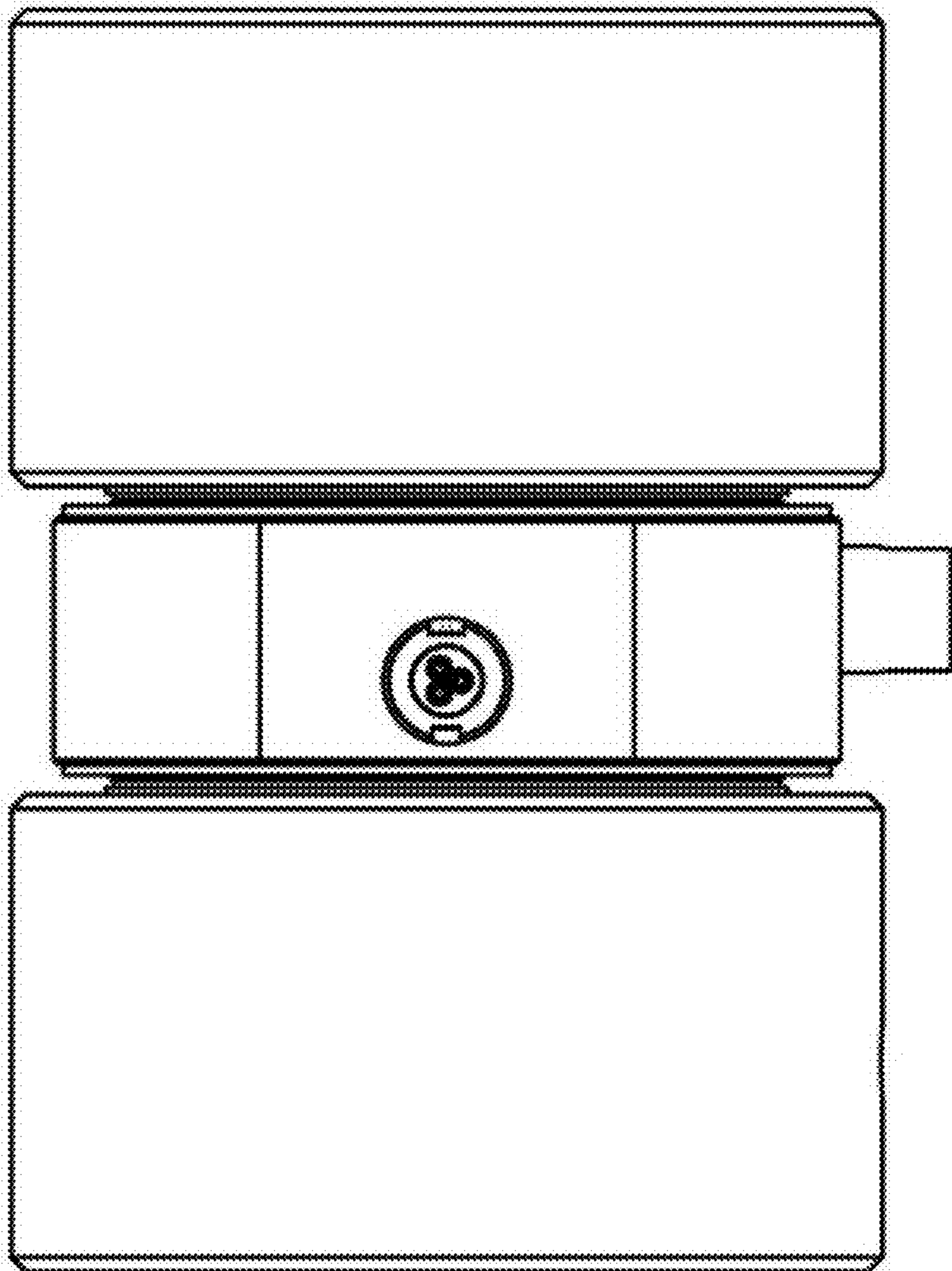
**1 Claim, 21 Drawing Sheets**



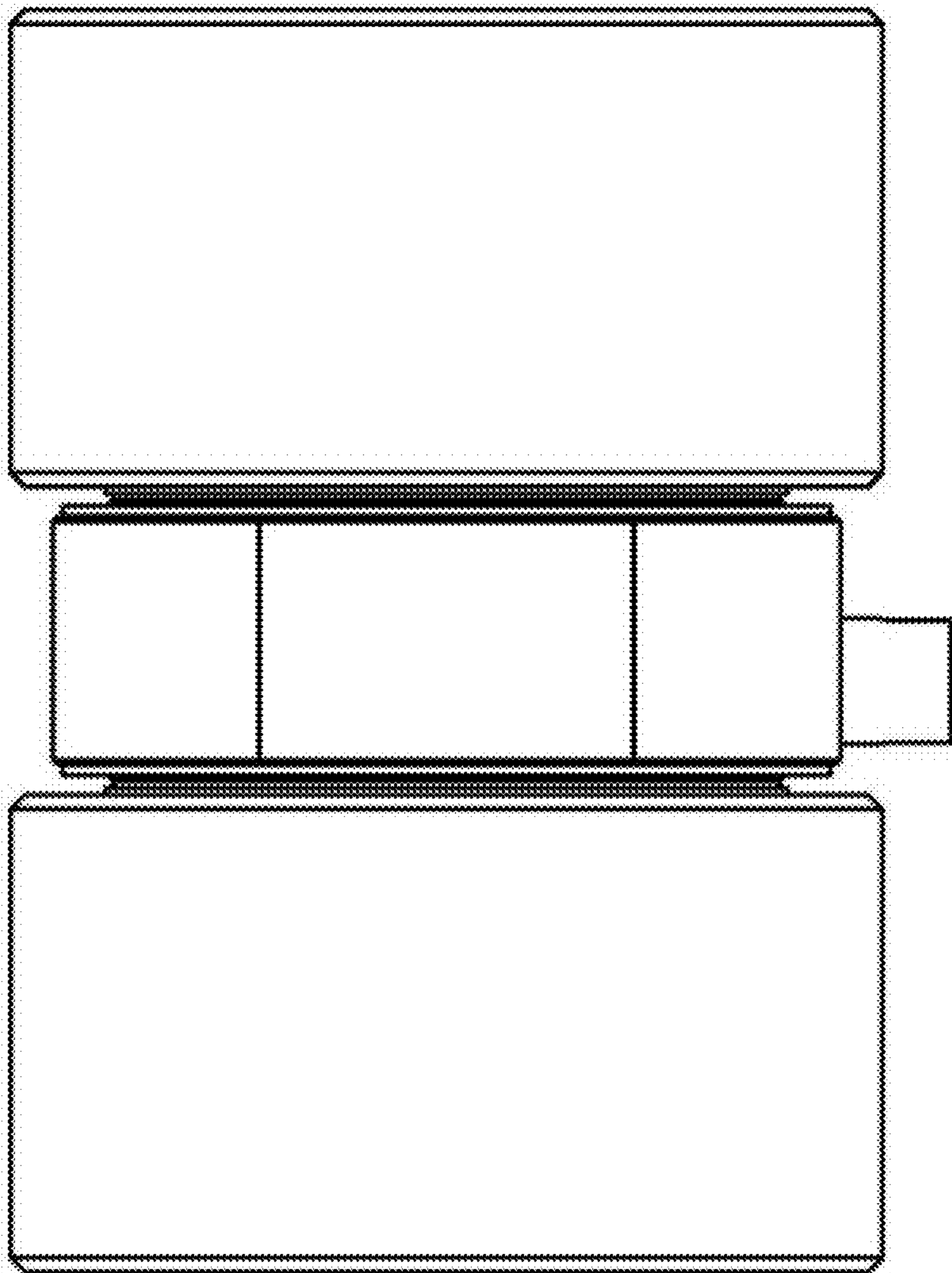
1.1



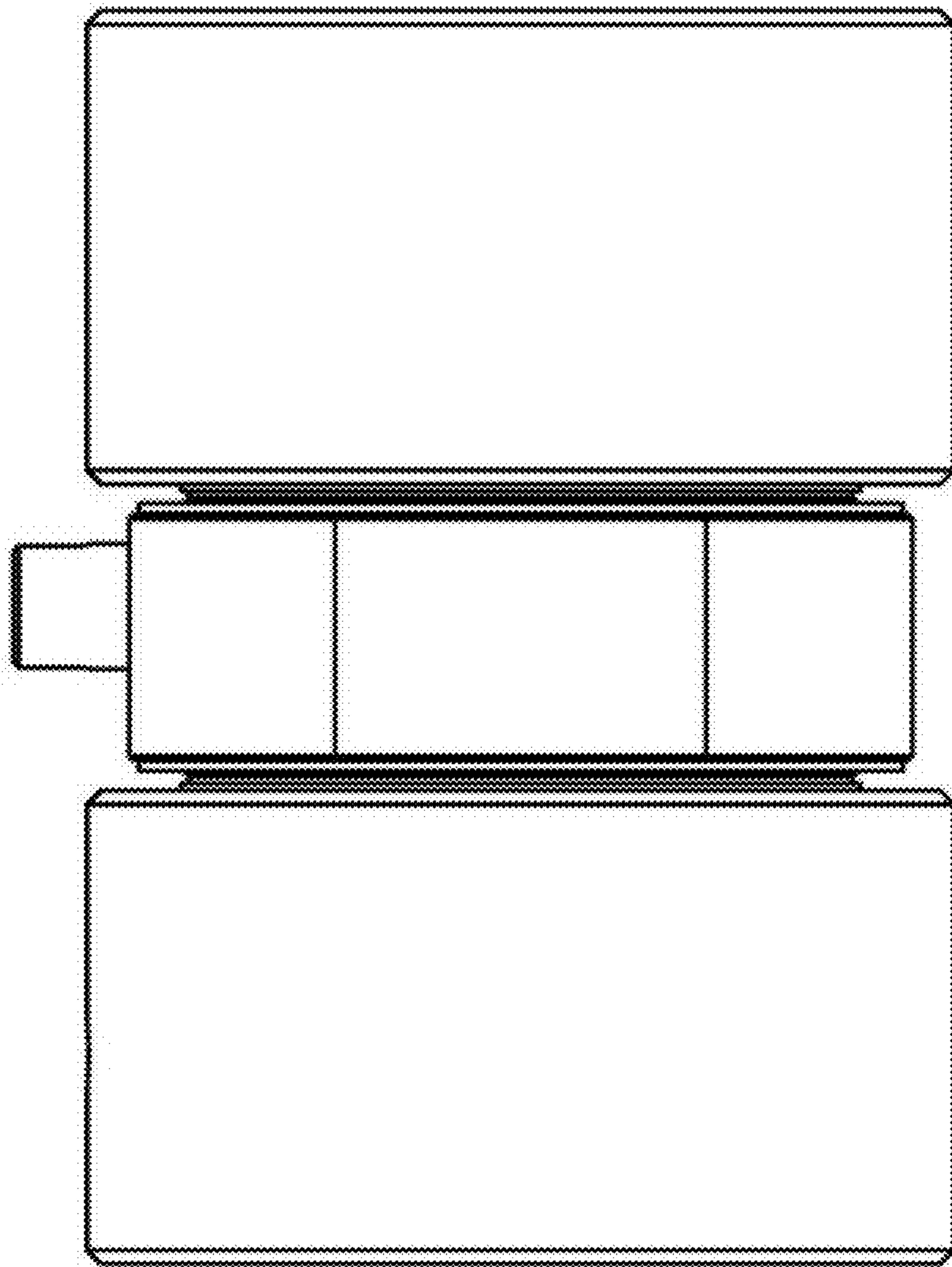
1.2



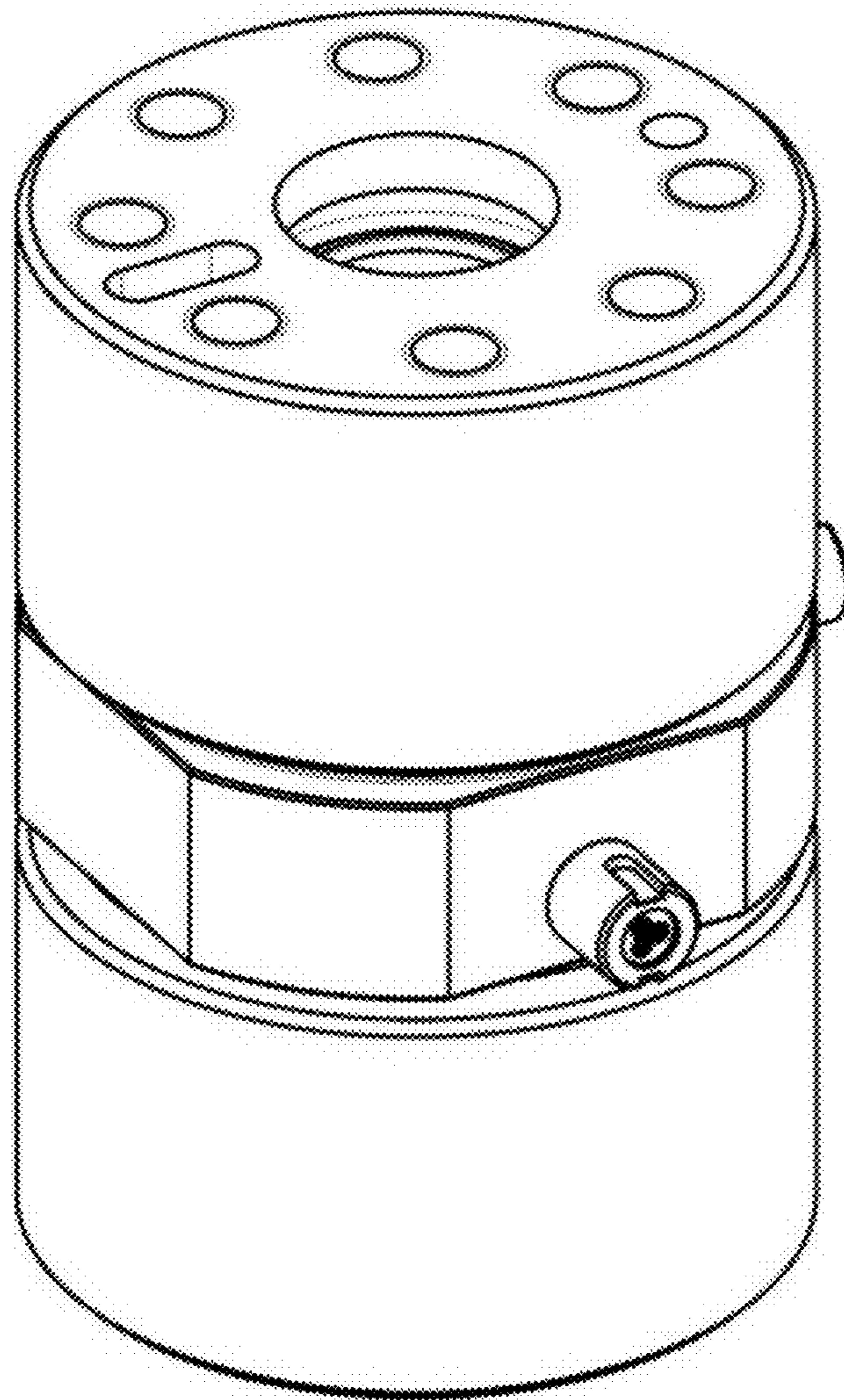
**1.3**



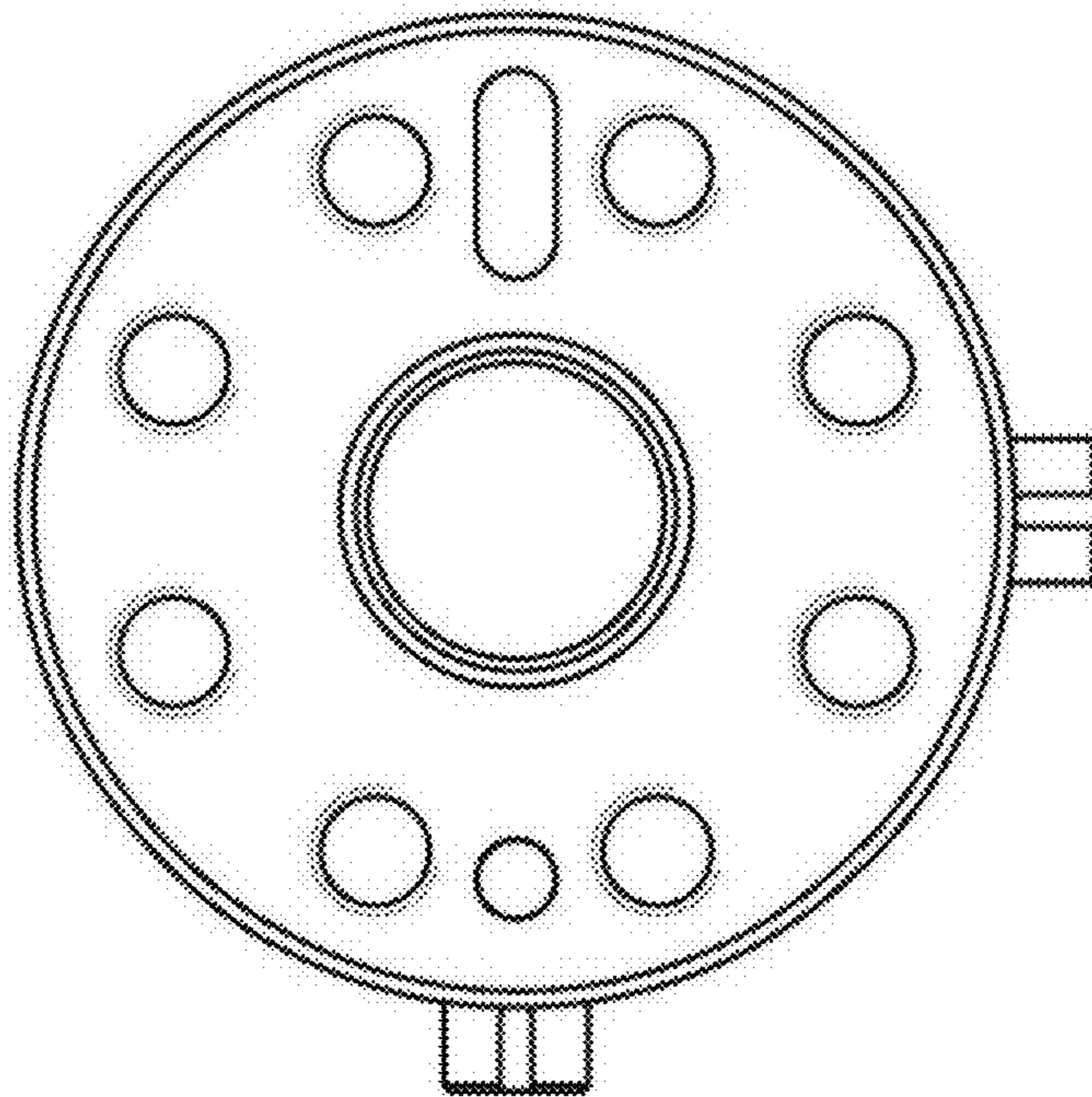
1.4



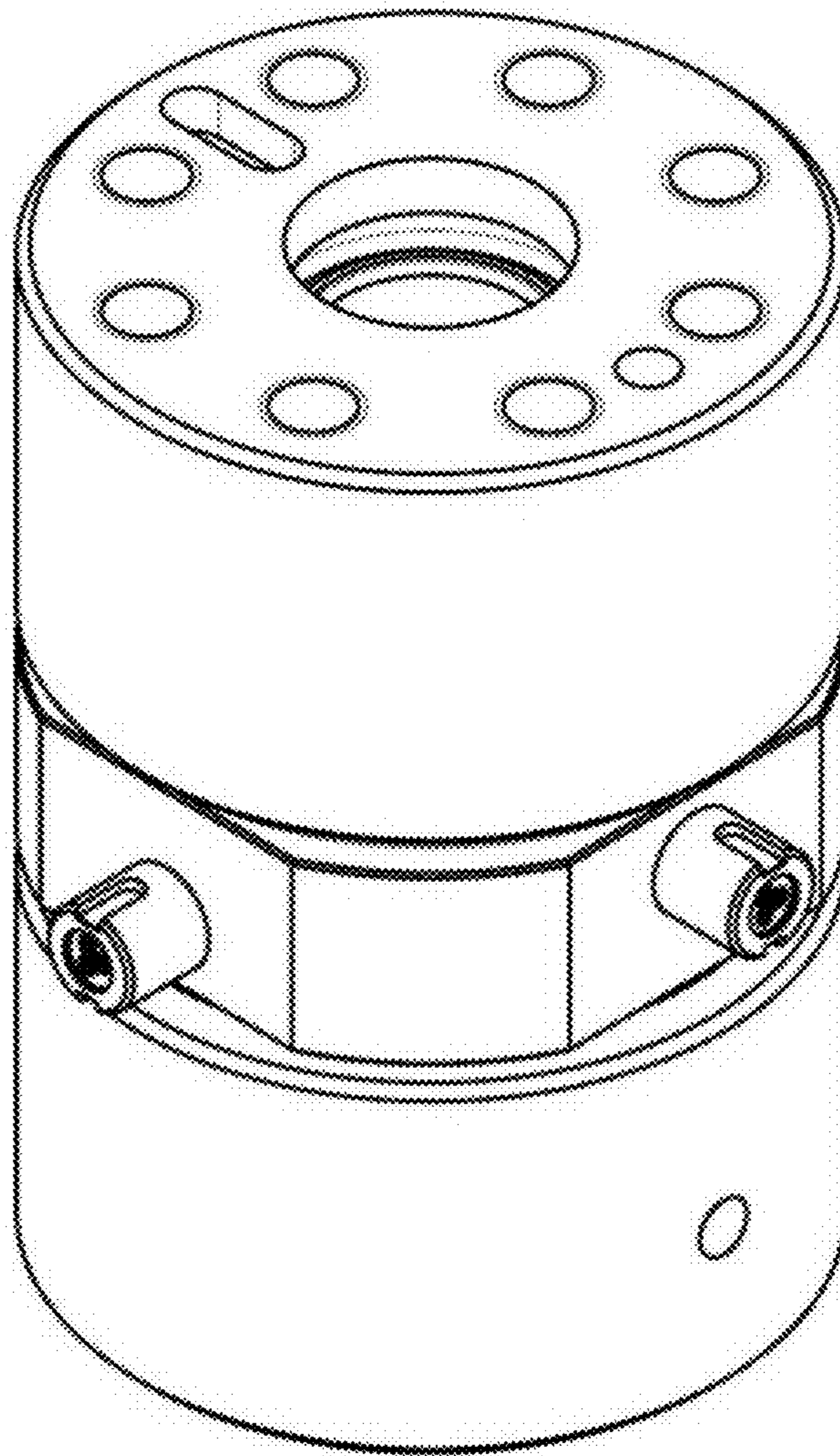
1.5



1.6

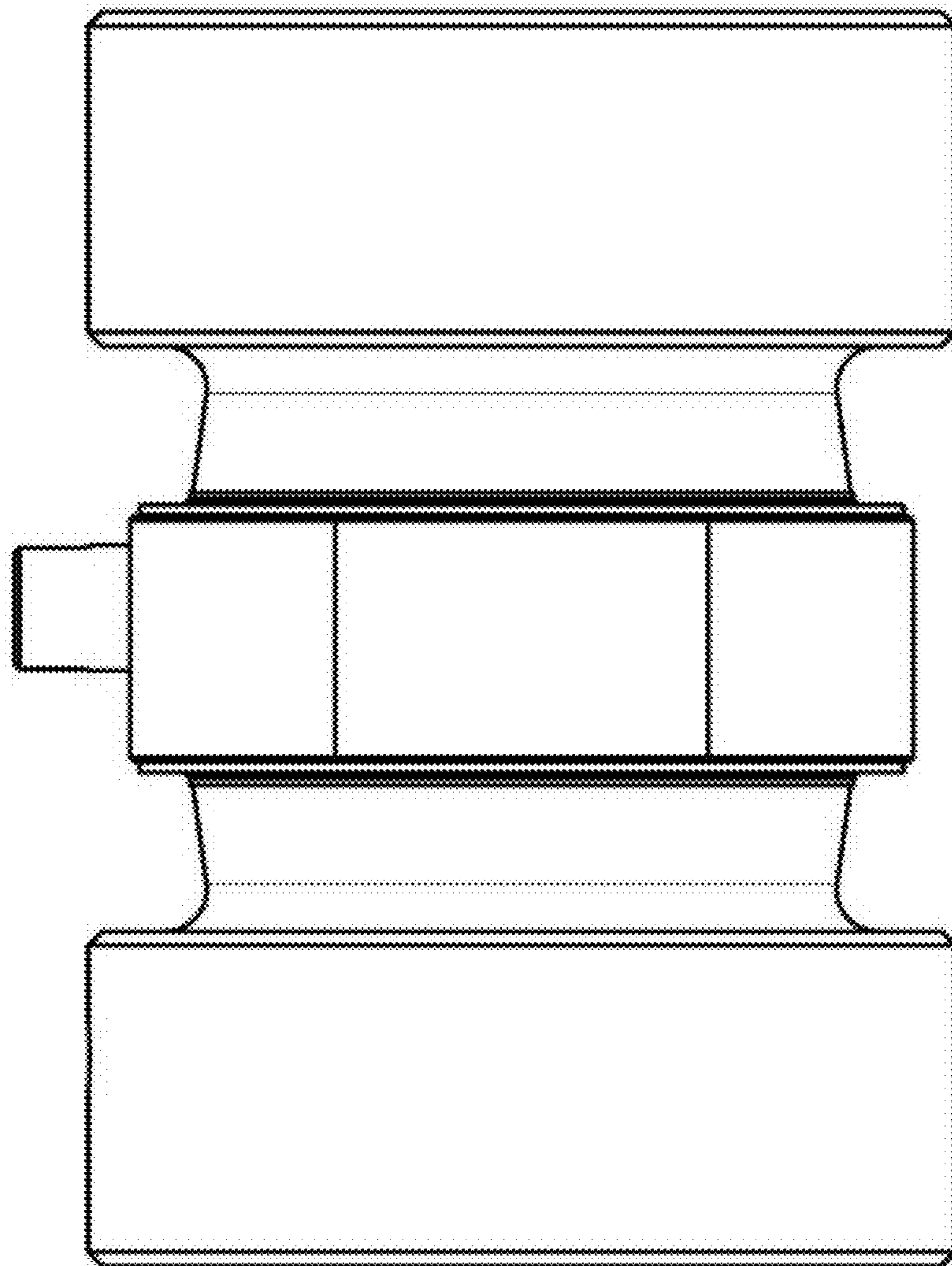


1.7

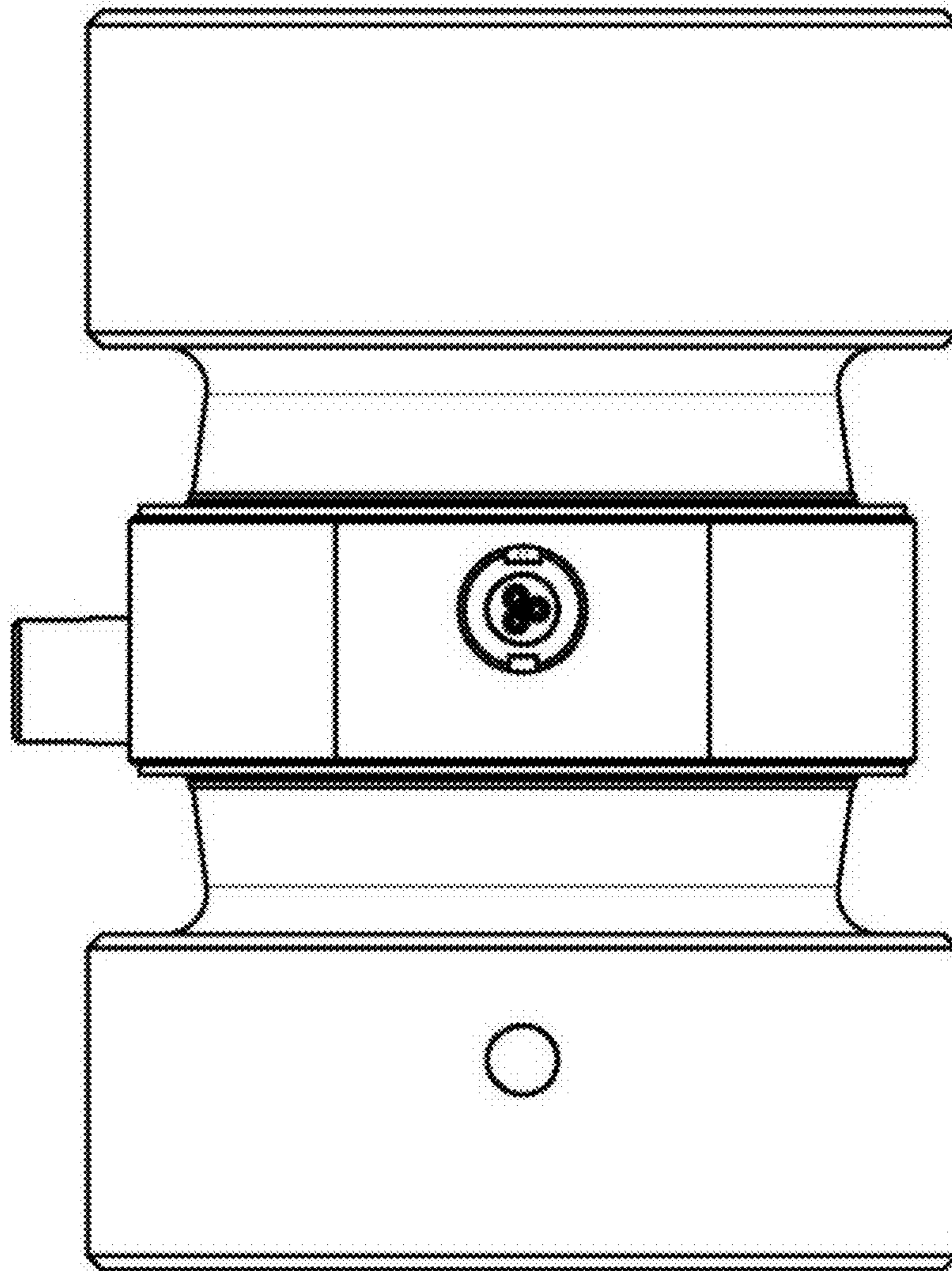




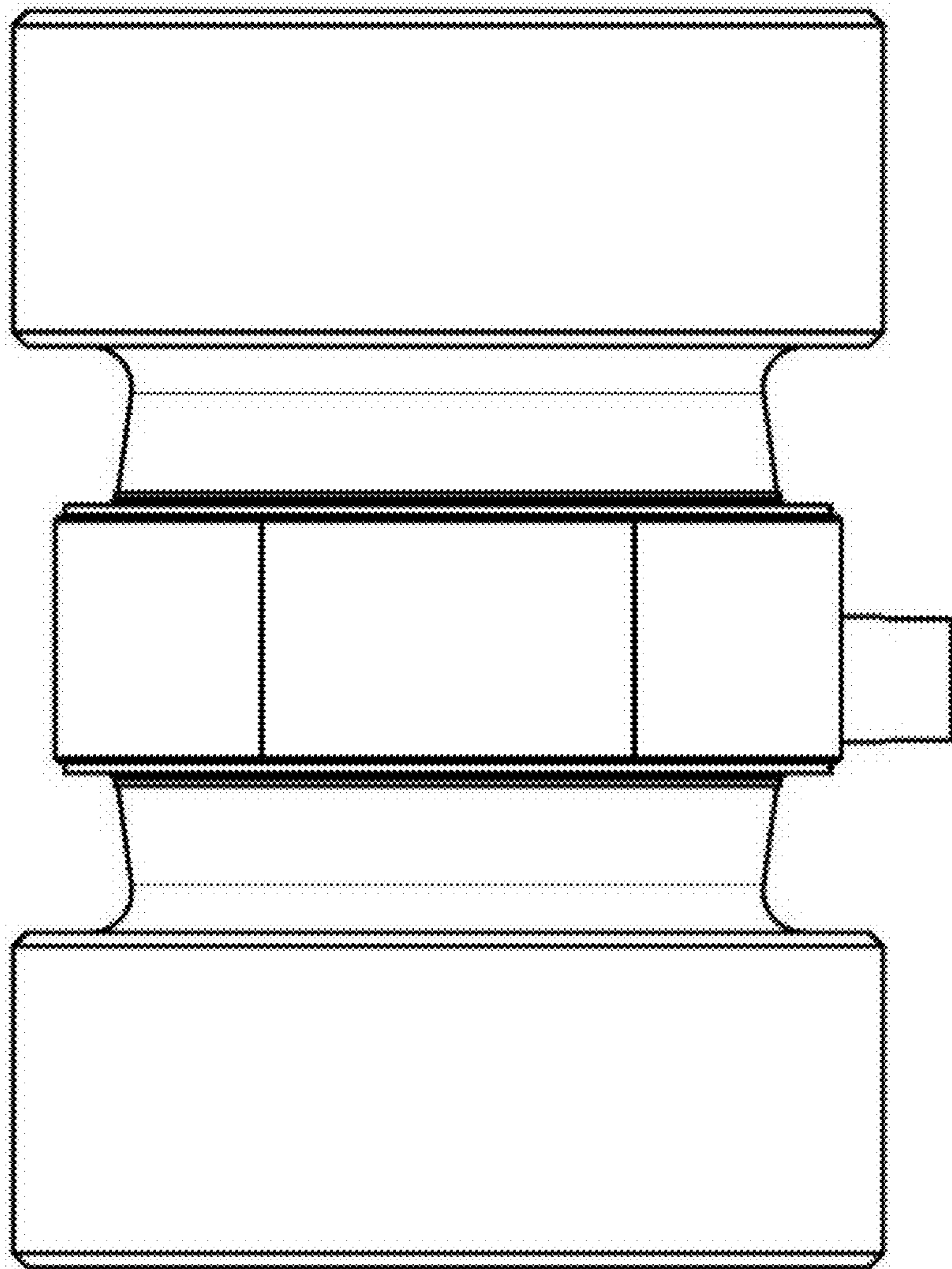
1.8



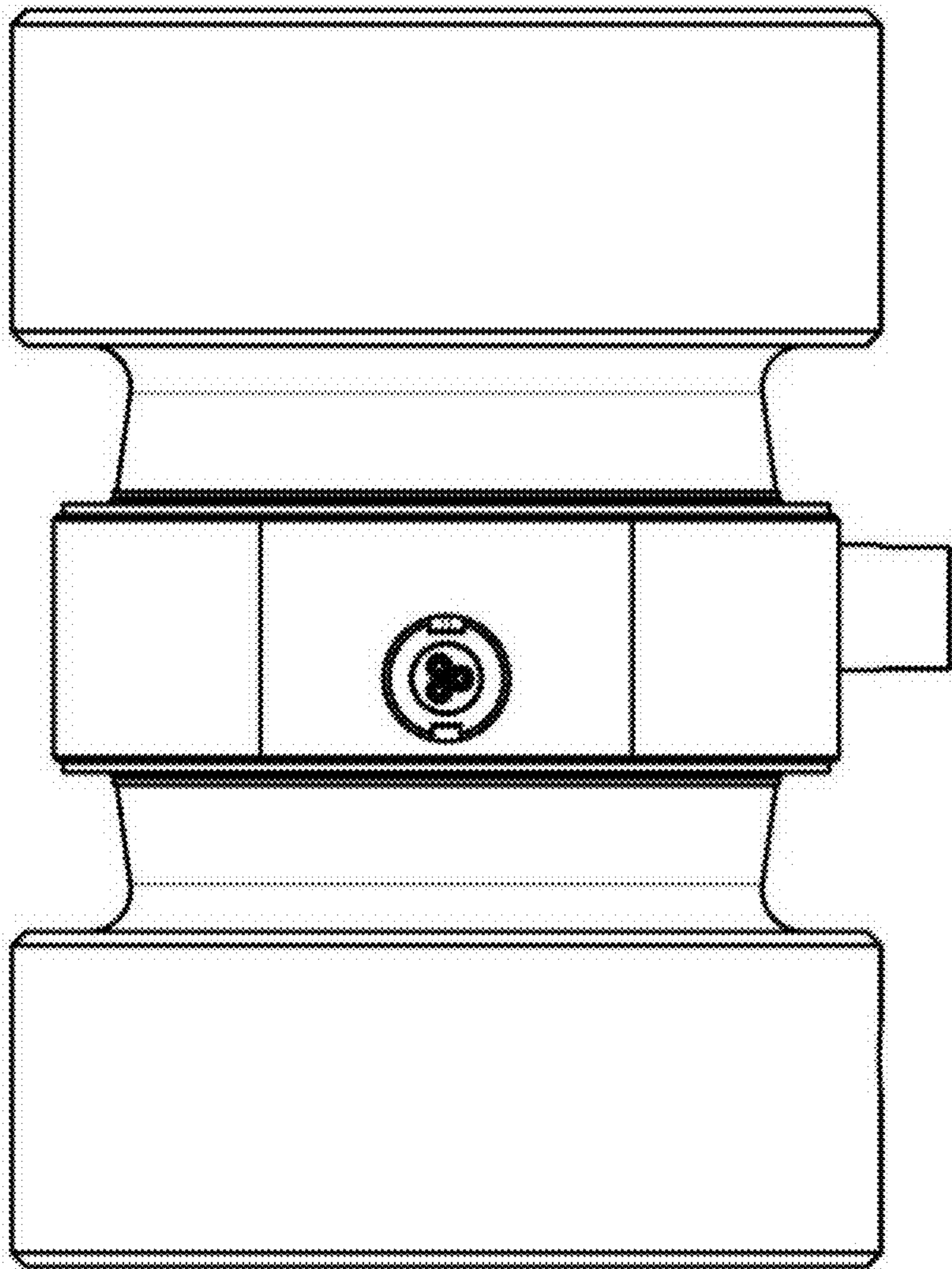
1.9



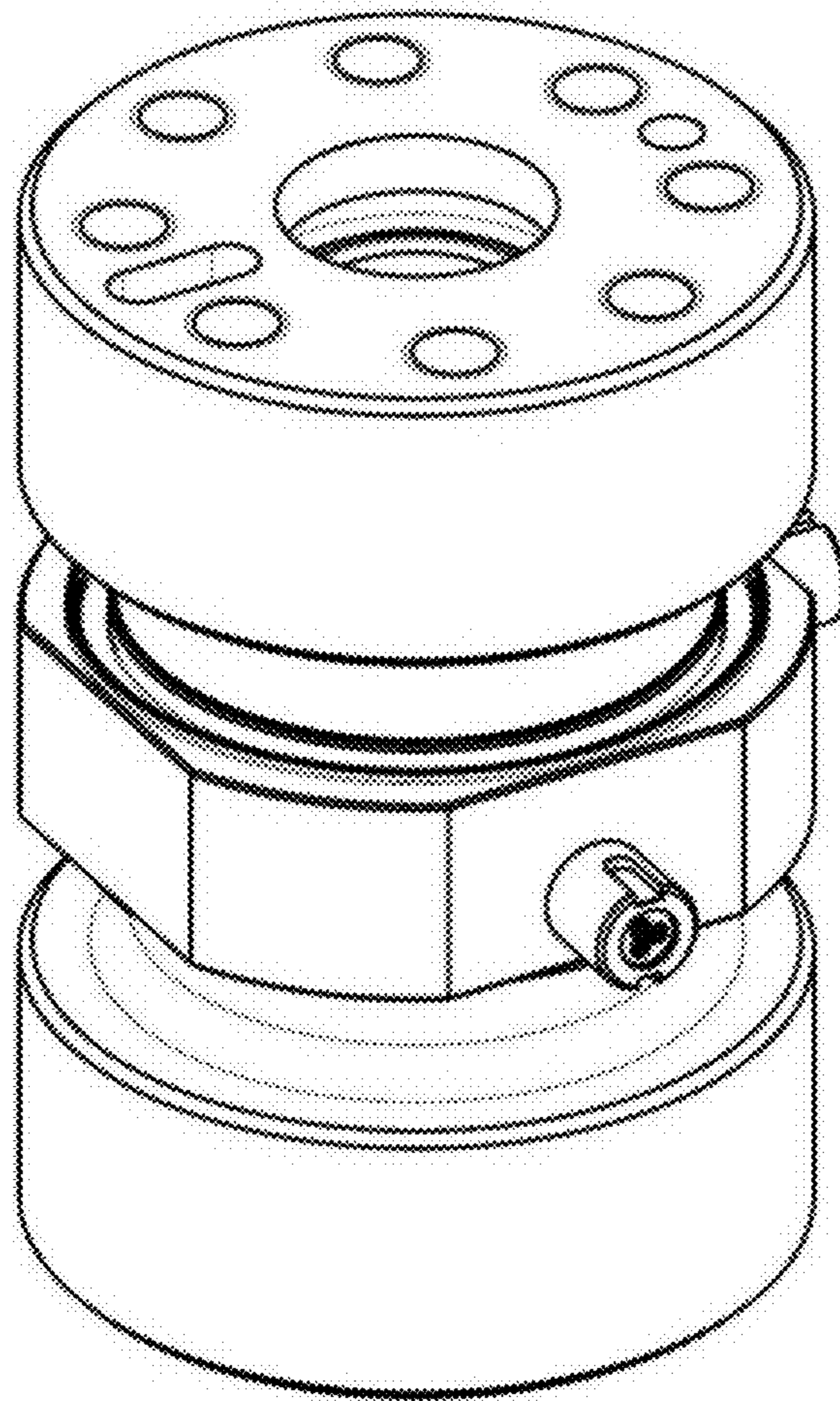
1.10



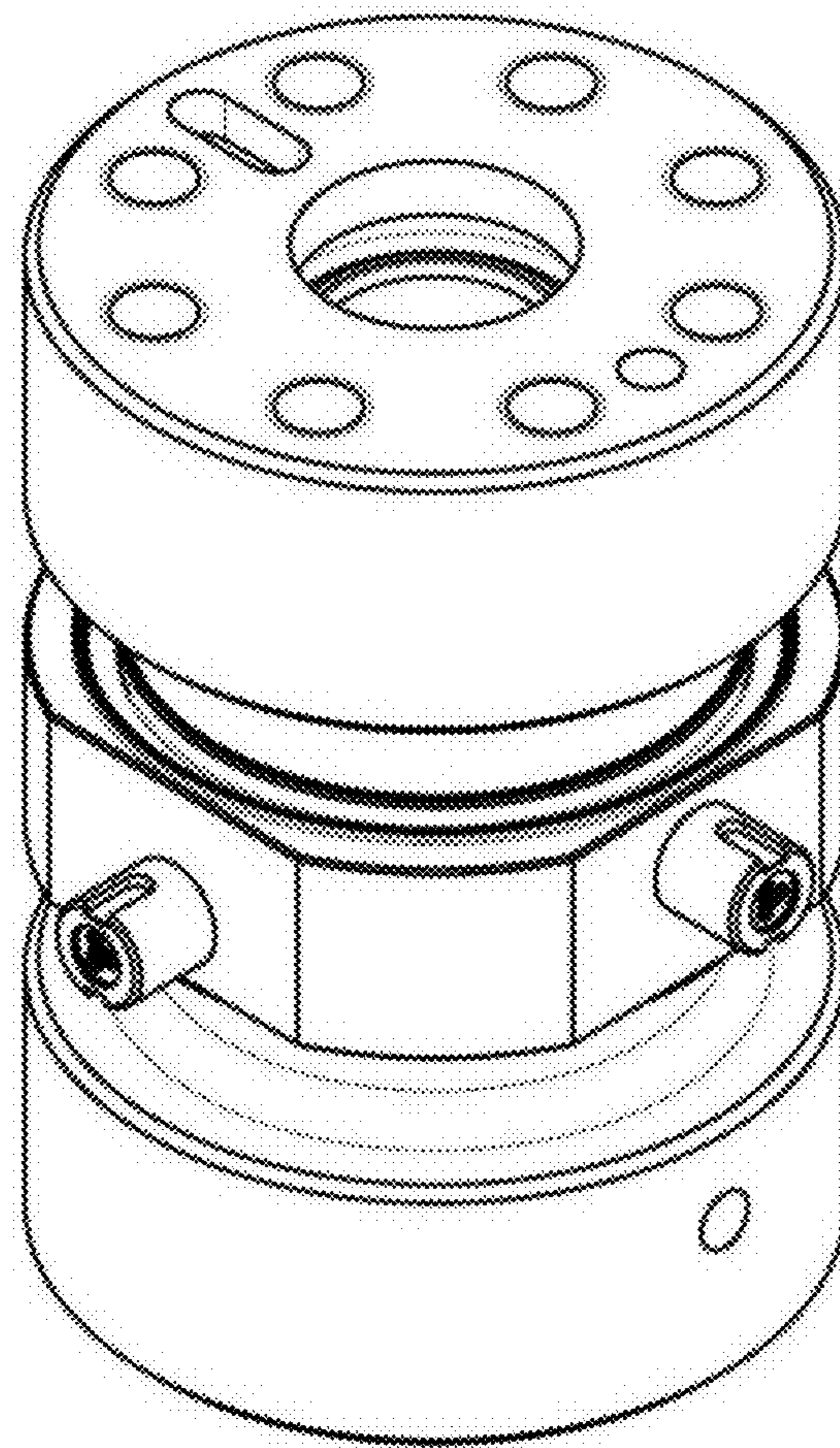
1.11



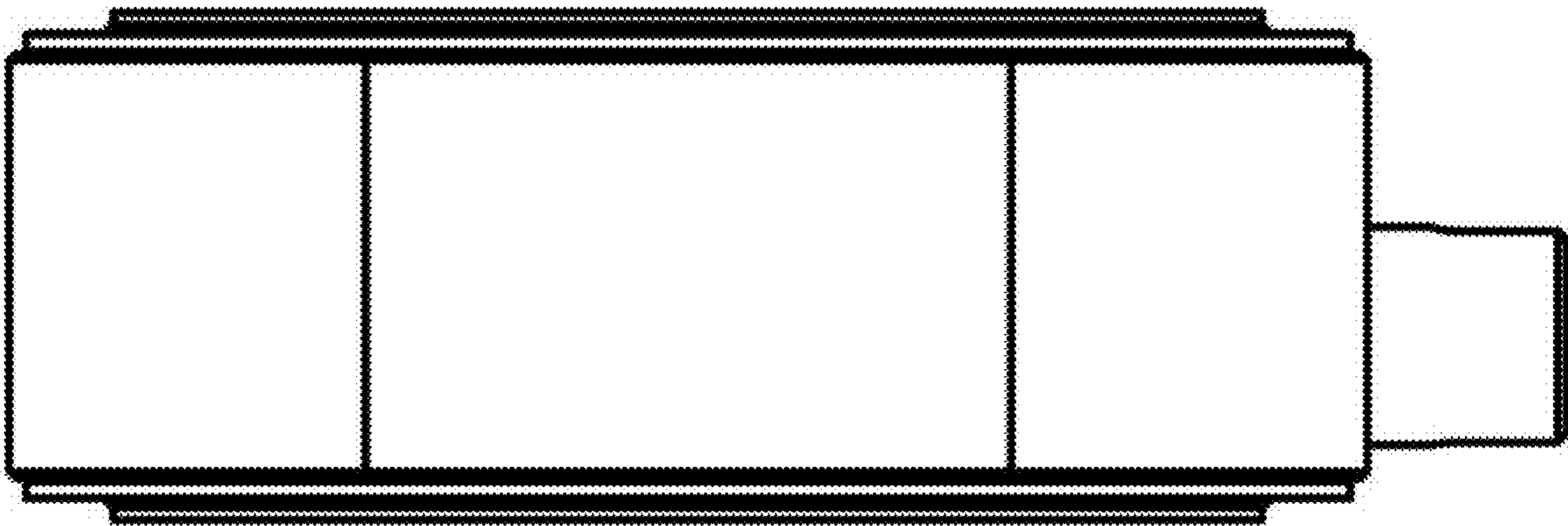
1.12



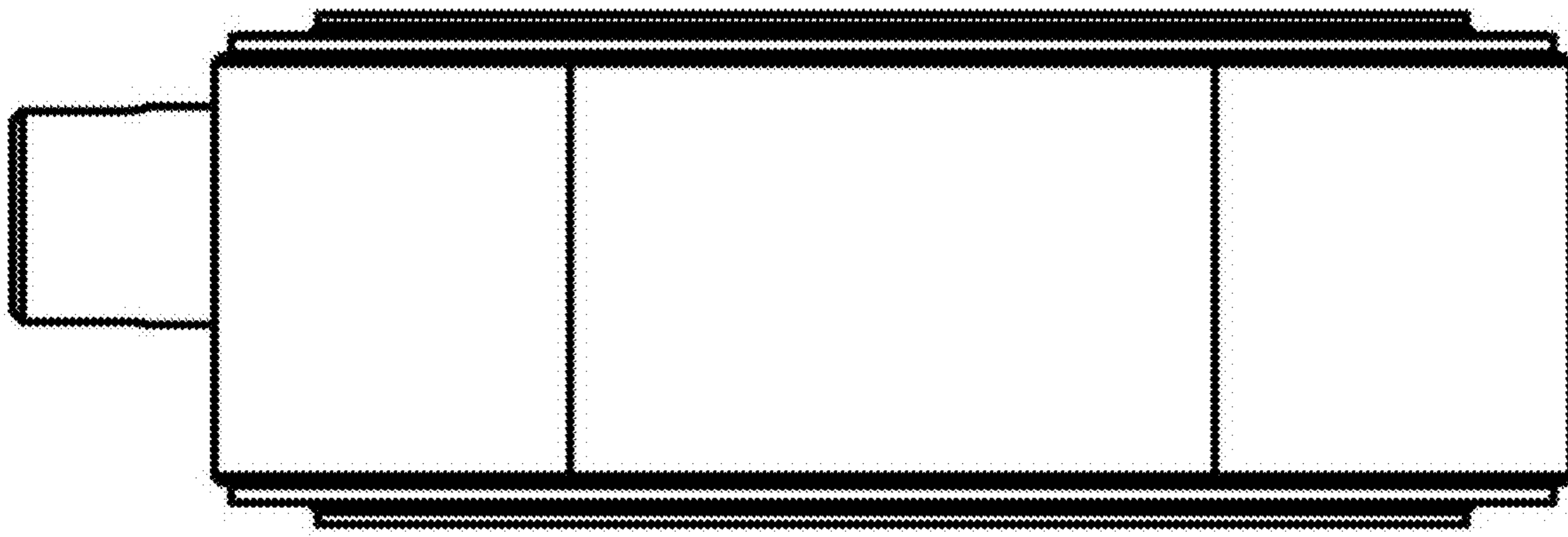
1.13



1.14

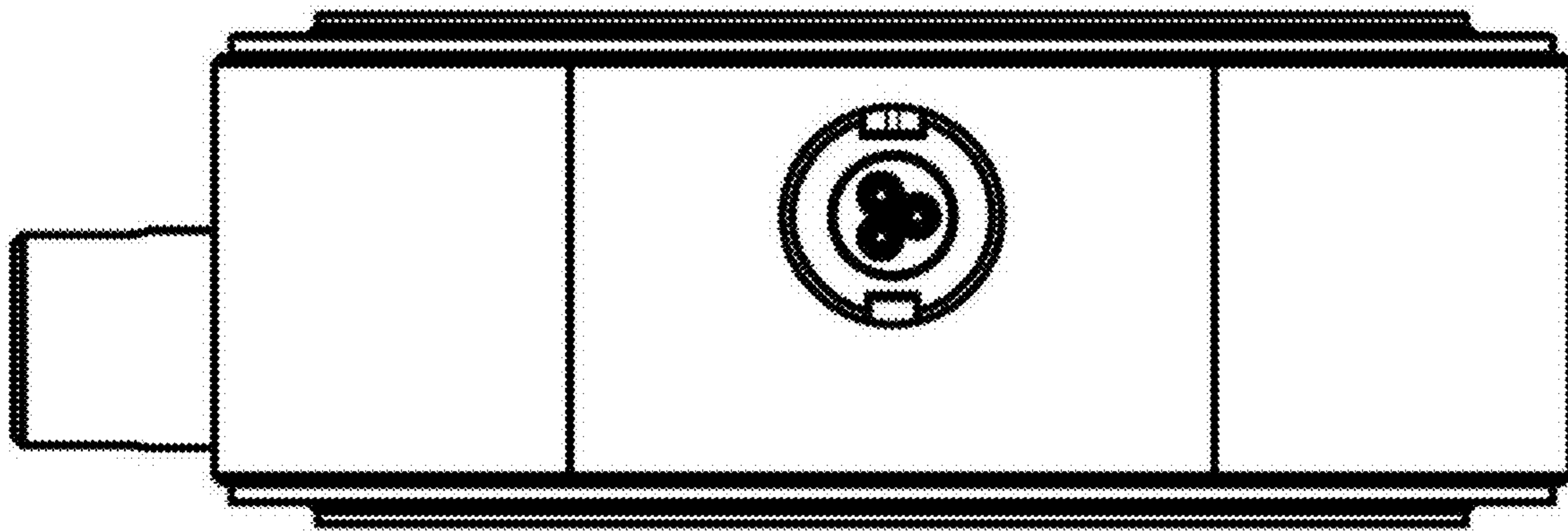


1.15

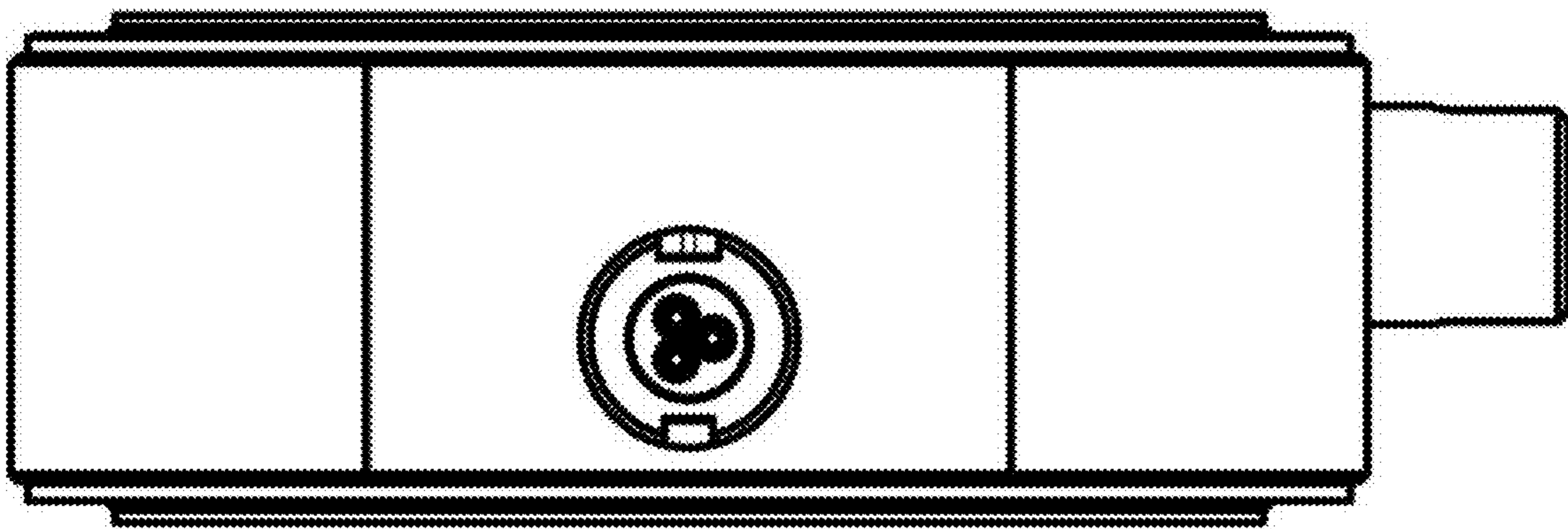




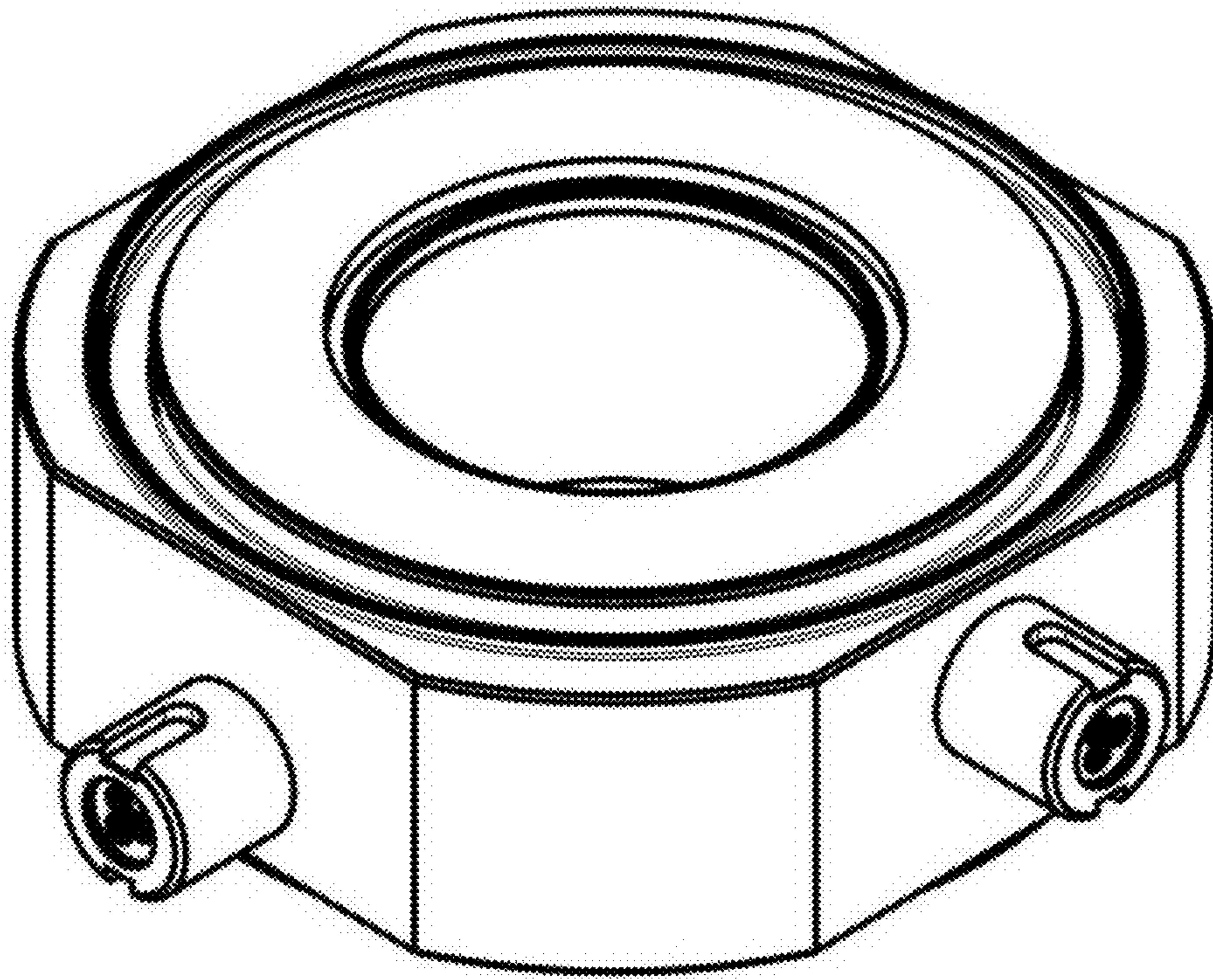
1.16



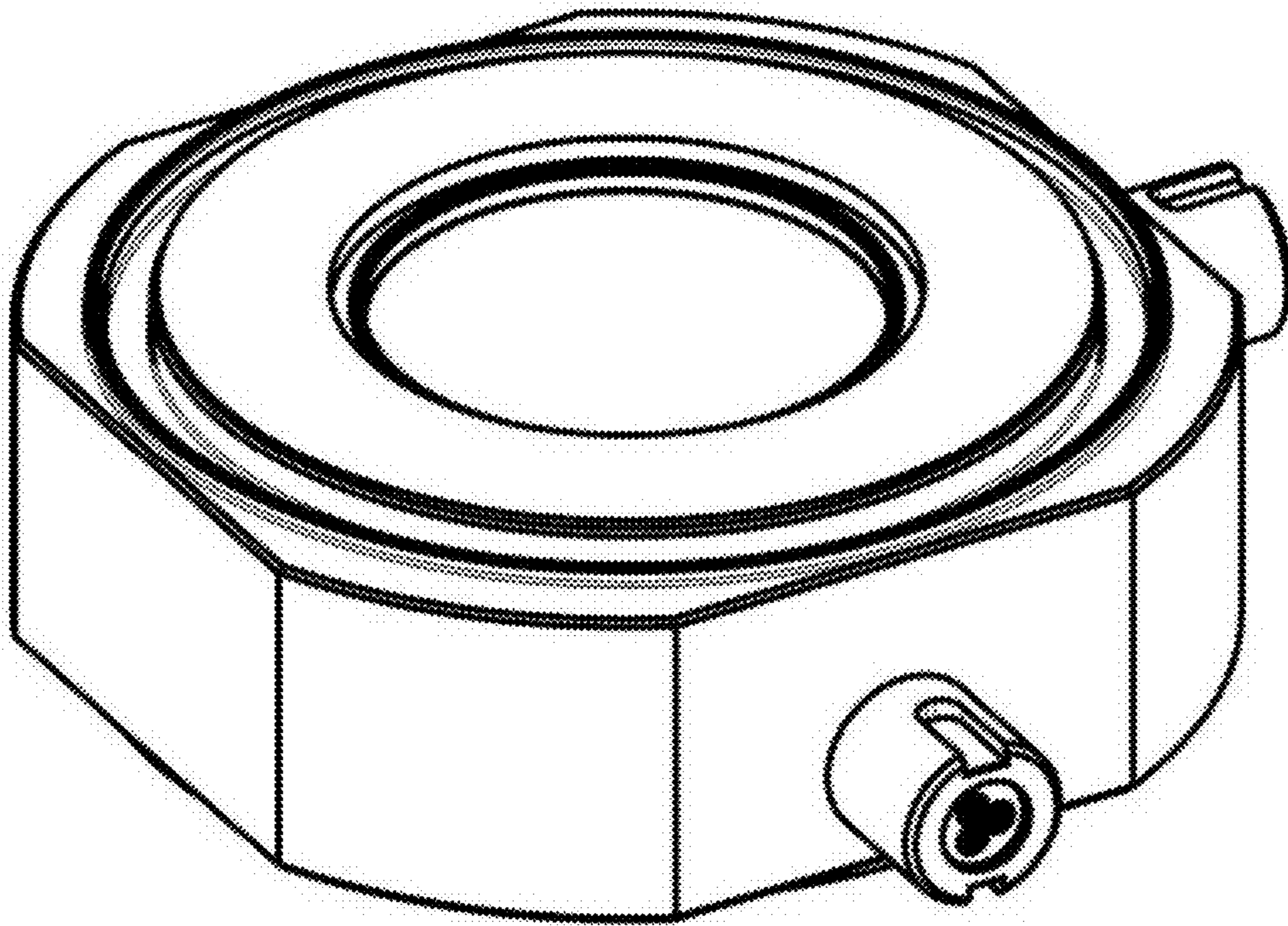
1.17



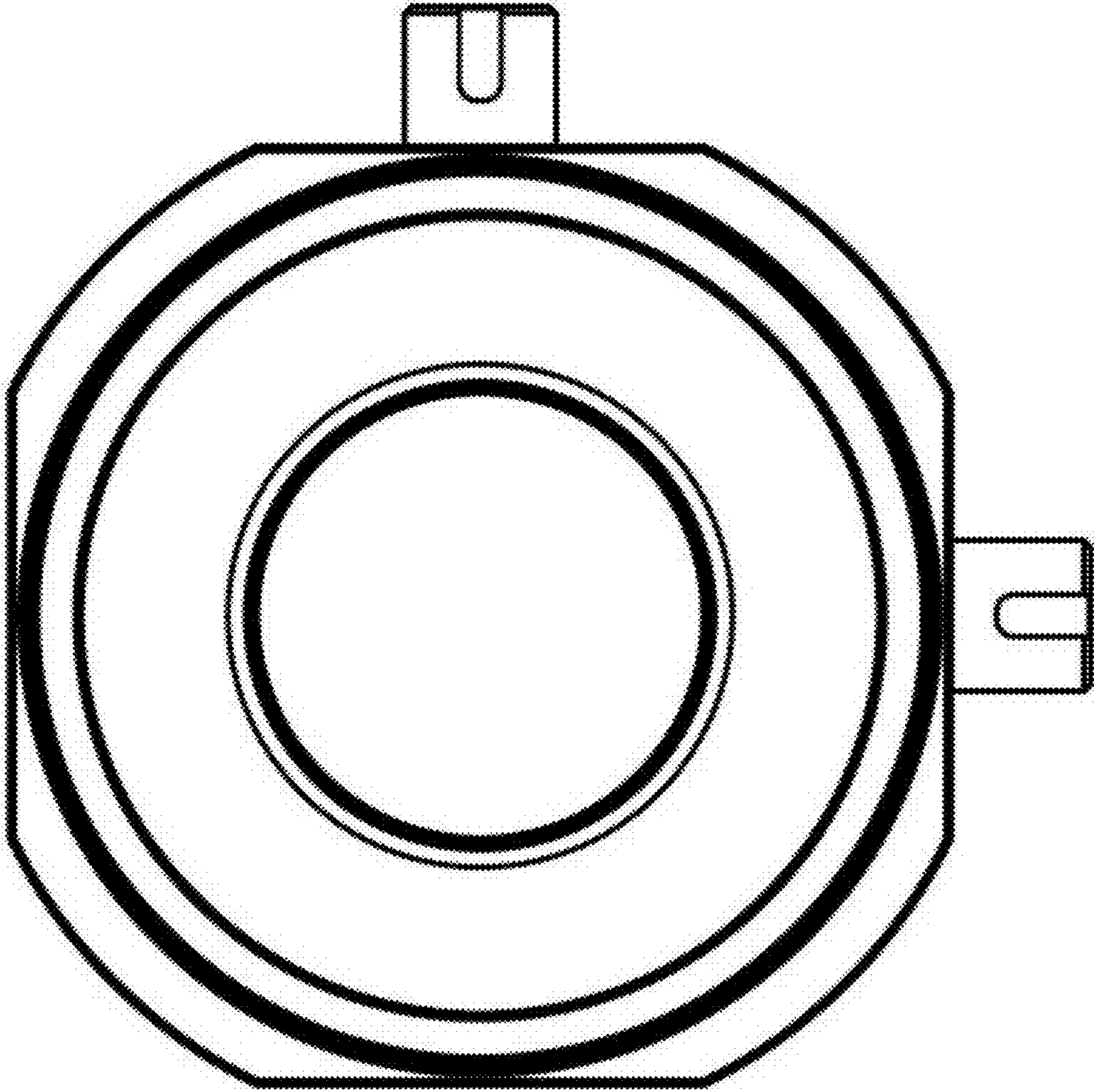
1.18



1.19



1.20



1.21

