



US00D817794S

(12) **United States Design Patent**
Manning et al.

(10) **Patent No.:** **US D817,794 S**
(45) **Date of Patent:** **** May 15, 2018**

- (54) **PRESSURE GAUGE HOUSING**
- (71) Applicant: **MIJA Industries, Inc.**, Rockland, MA (US)
- (72) Inventors: **Robert M. Manning**, Weymouth, MA (US); **Michaela J. McSheffrey**, Hingham, MA (US); **John J. McSheffrey**, Hingham, MA (US)
- (73) Assignee: **MIJA INDUSTRIES, INC.**, Rockland, MA (US)
- (**) Term: **15 Years**

- (21) Appl. No.: **29/585,168**
- (22) Filed: **Nov. 21, 2016**
- (51) **LOC (11) Cl.** **10-04**
- (52) **U.S. Cl.**
USPC **D10/85**
- (58) **Field of Classification Search**
USPC D10/85
CPC B60C 23/0408; B60C 23/0494; G01L 7/00-7/24; G01L 7/043; G01L 13/00-13/06; G01L 15/00; G01L 17/00-17/005; G01L 19/00-19/16; G01L 23/00-23/32; G01L 27/00-23/02; G05D 16/00-16/2093; G05D 7/00-7/0694; G05D 11/00-11/16; G05D 13/00-13/66; G05D 23/00-23/32
See application file for complete search history.

- (56) **References Cited**
U.S. PATENT DOCUMENTS
2,346,483 A * 4/1944 Goss G01D 11/24 116/303
D226,024 S * 1/1973 Goss D10/102

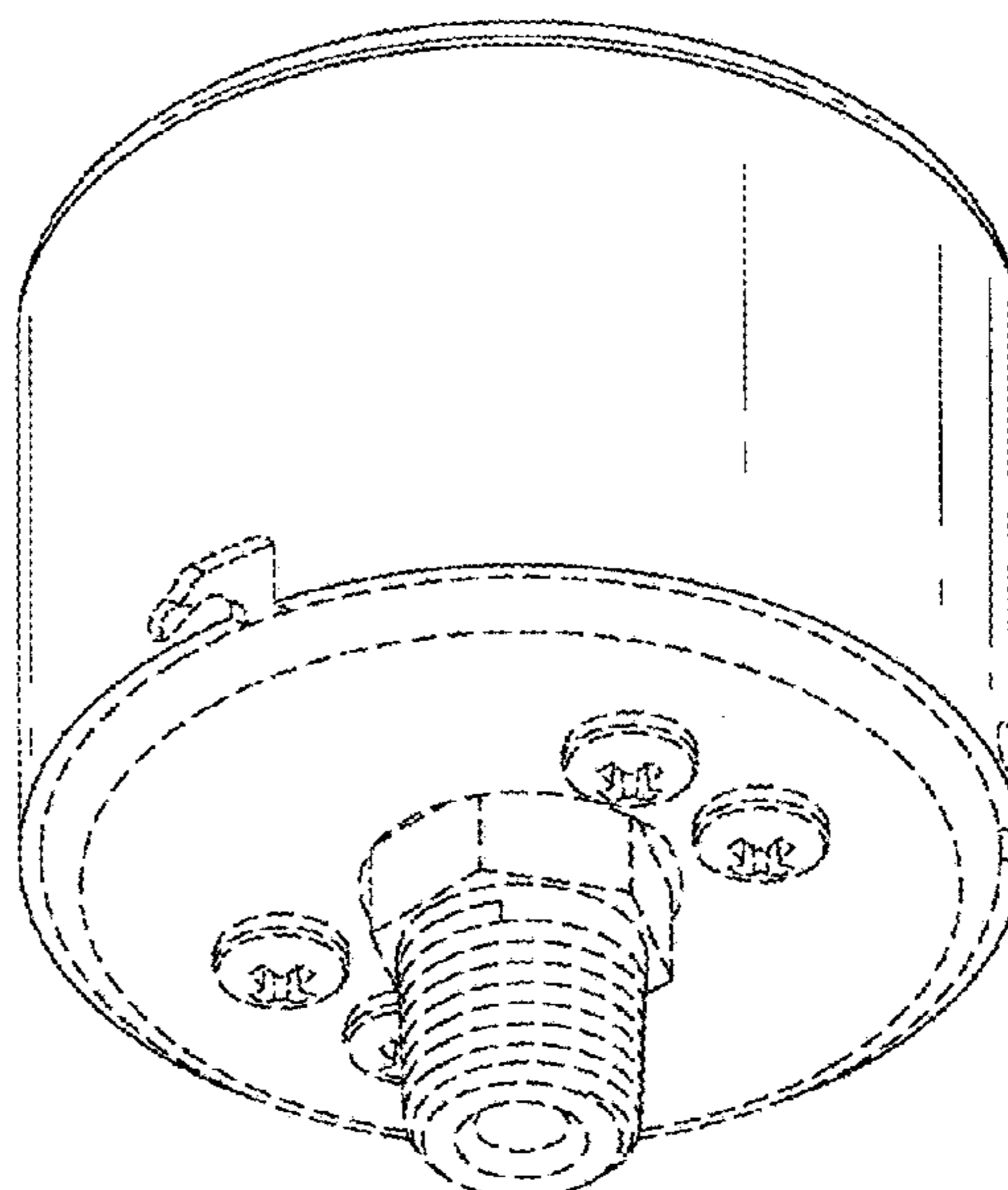
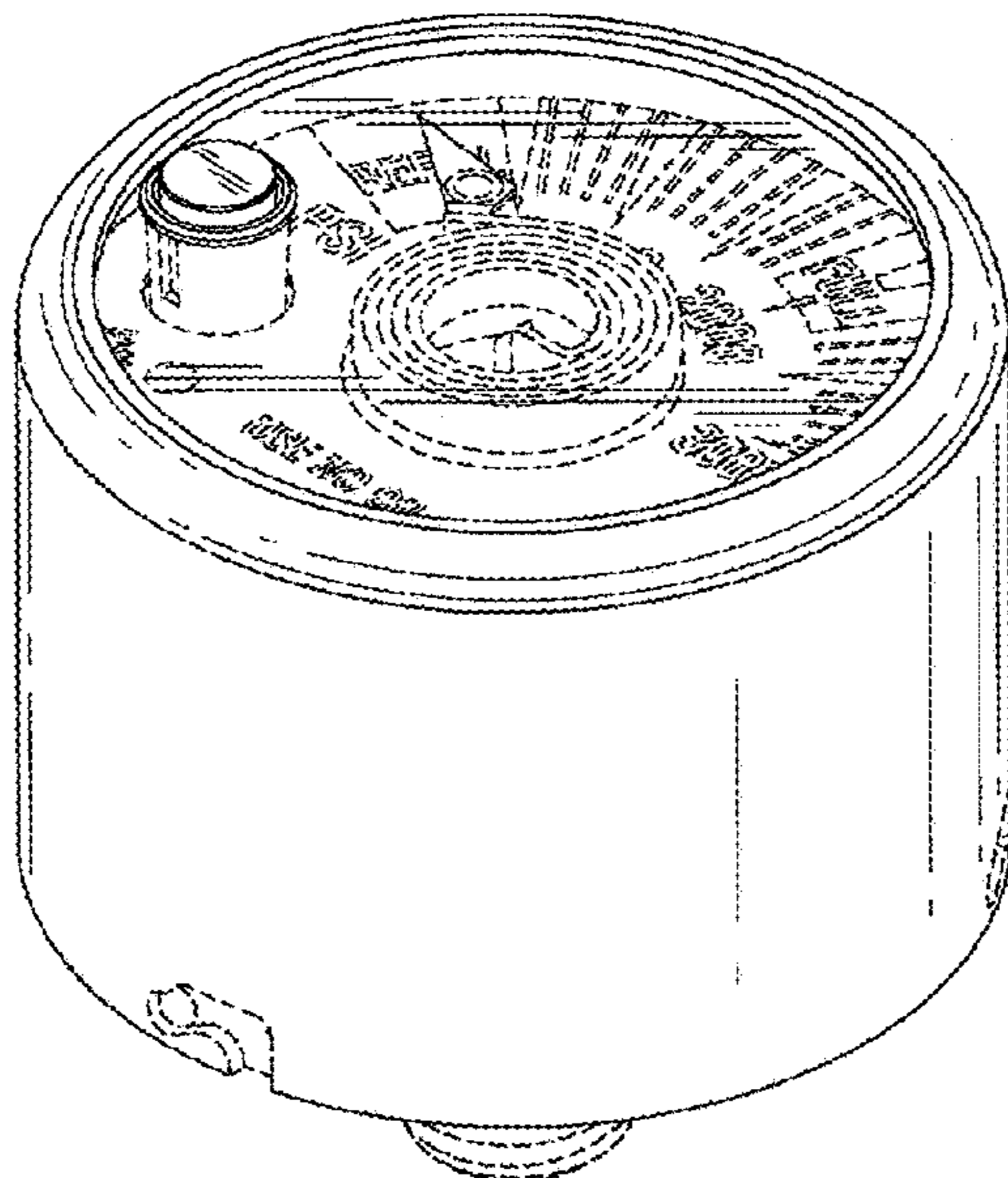
- 6,763,726 B2 * 7/2004 Yamashita G01P 15/09 310/26
- D543,476 S * 5/2007 Barmettler D10/85
- D588,483 S * 3/2009 Chu D10/85
- D704,081 S * 5/2014 Haener D10/85
- 9,309,990 B2 * 4/2016 Chen G01L 19/16

* cited by examiner
Primary Examiner — Antoine Duval Davis
(74) *Attorney, Agent, or Firm* — Douglas Denninger

(57) **CLAIM**
We claim the ornamental design for a pressure gauge housing, as shown and described.

DESCRIPTION
FIG.1 is a perspective upper view of the pressure gauge housing showing our novel design;
FIG. 2 is a perspective lower view thereof;
FIGS. 3 and 4 are rear and front elevation views thereof, respectively;
FIGS. 5 and 6 are left and right side elevation views thereof, respectively;
FIG. 7 is a bottom plan view thereof; and
FIG. 8 is top plan view thereof;
FIG. 9 is a perspective upper view of an alternative embodiment of the pressure gauge housing showing our novel design;
FIG. 10 is a perspective lower view thereof;
FIGS. 11 and 12 are rear and front elevation views thereof, respectively;
FIGS. 13 and 14 are left and right side elevation views thereof, respectively;
FIG. 15 is a bottom plan view thereof; and
FIG. 16 is top plan view thereof.
The broken lines shown represent unclaimed subject matter and form no part of the claimed design.

1 Claim, 8 Drawing Sheets



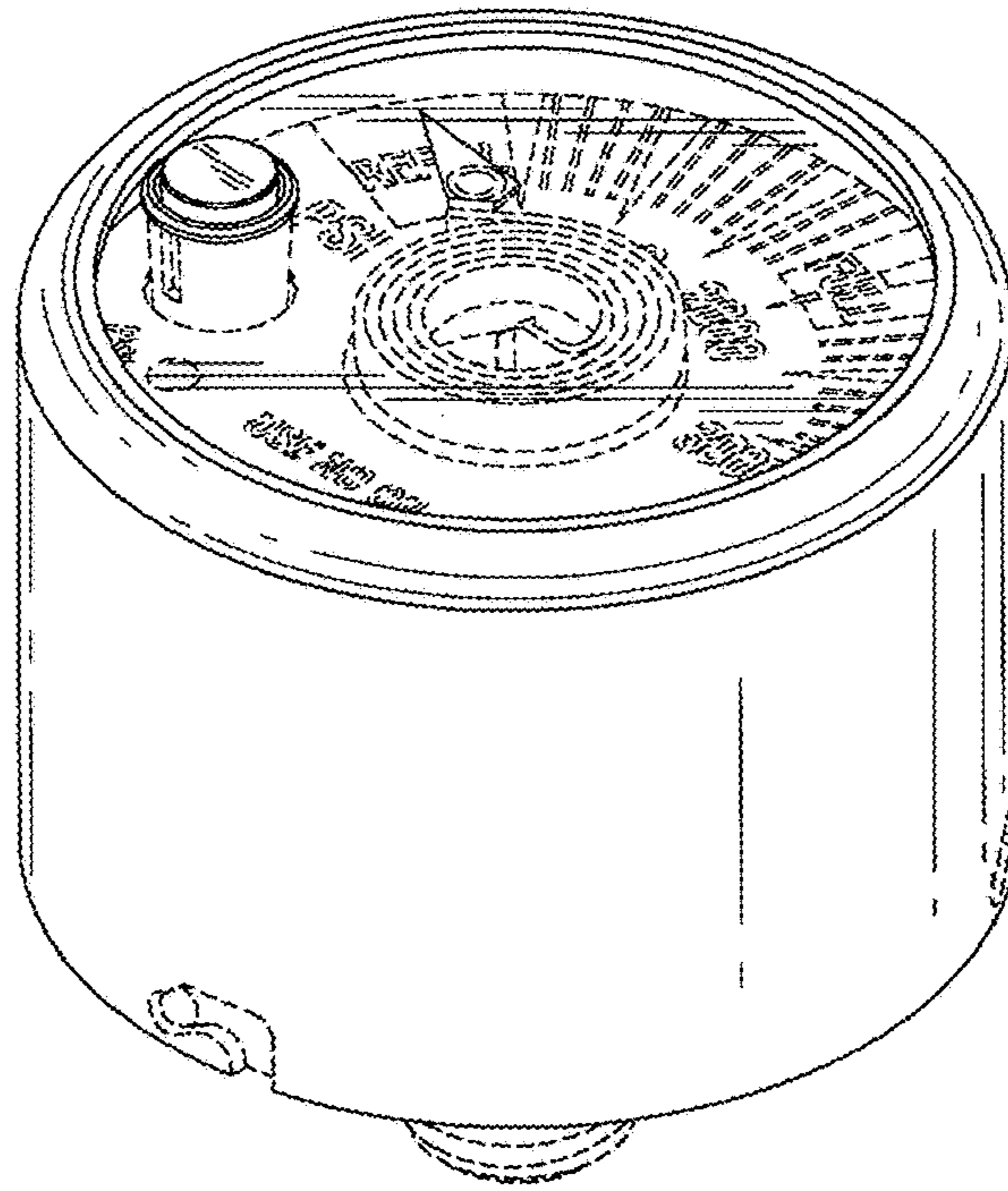


FIG. 1

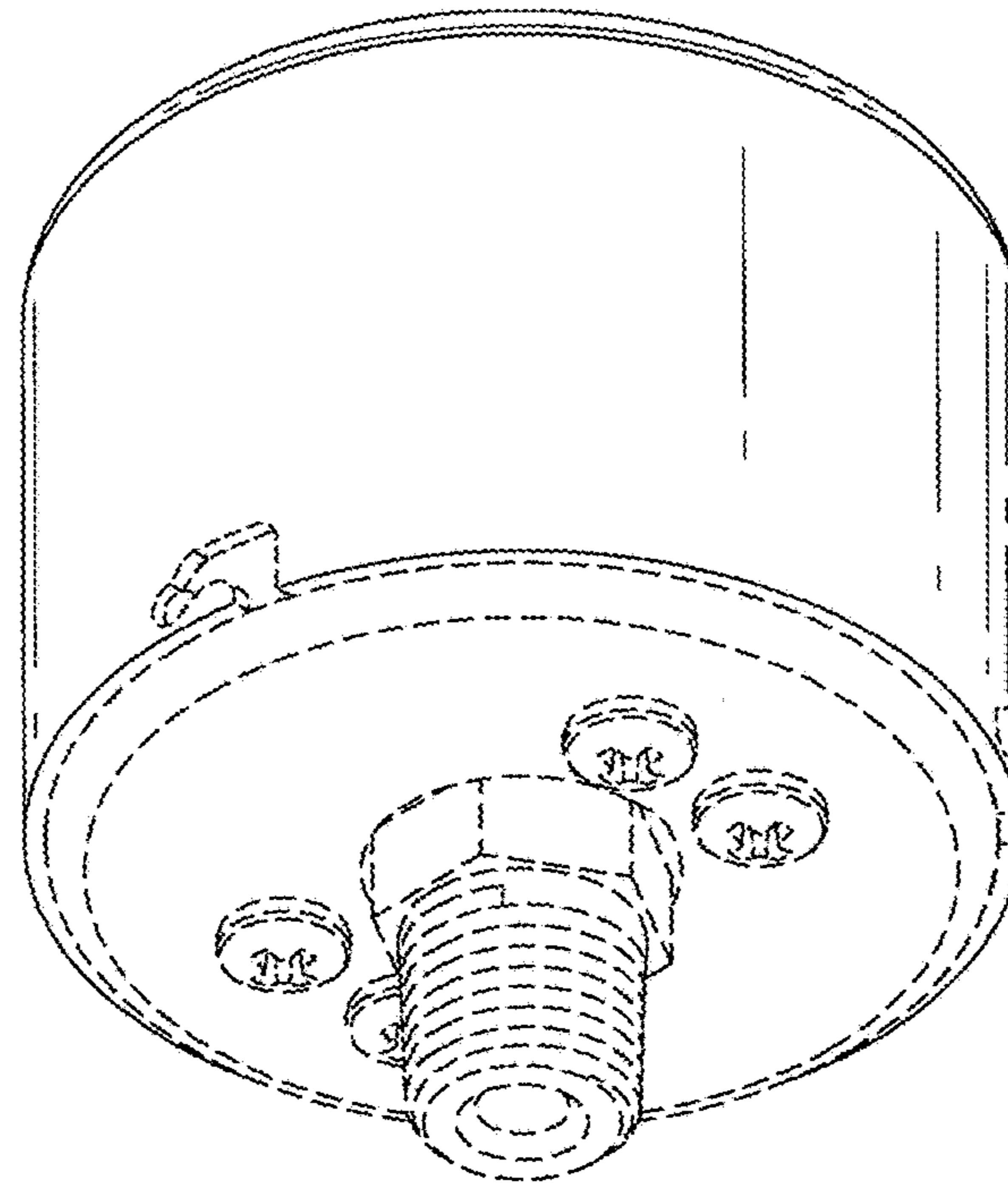


FIG. 2

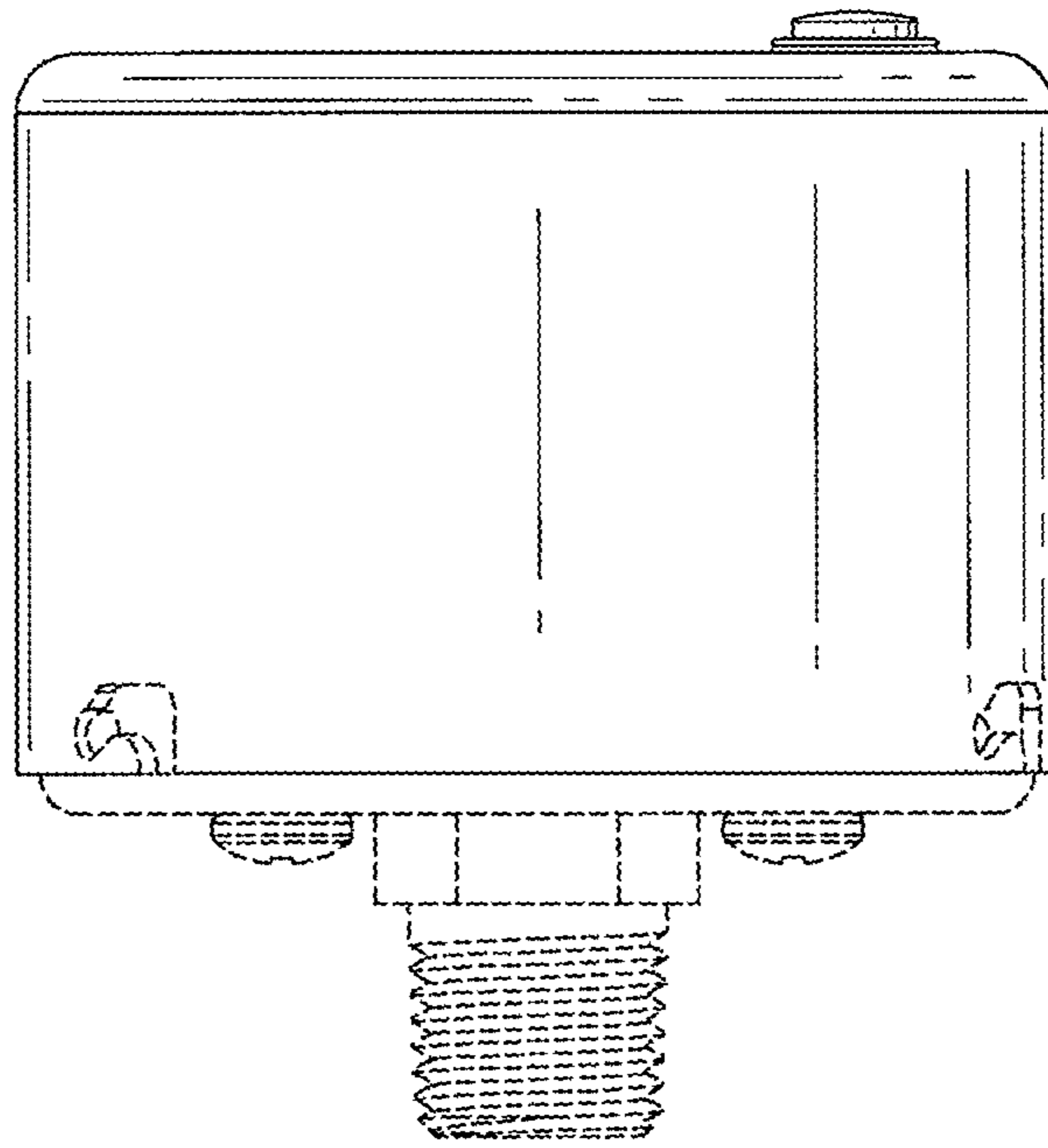


FIG. 3

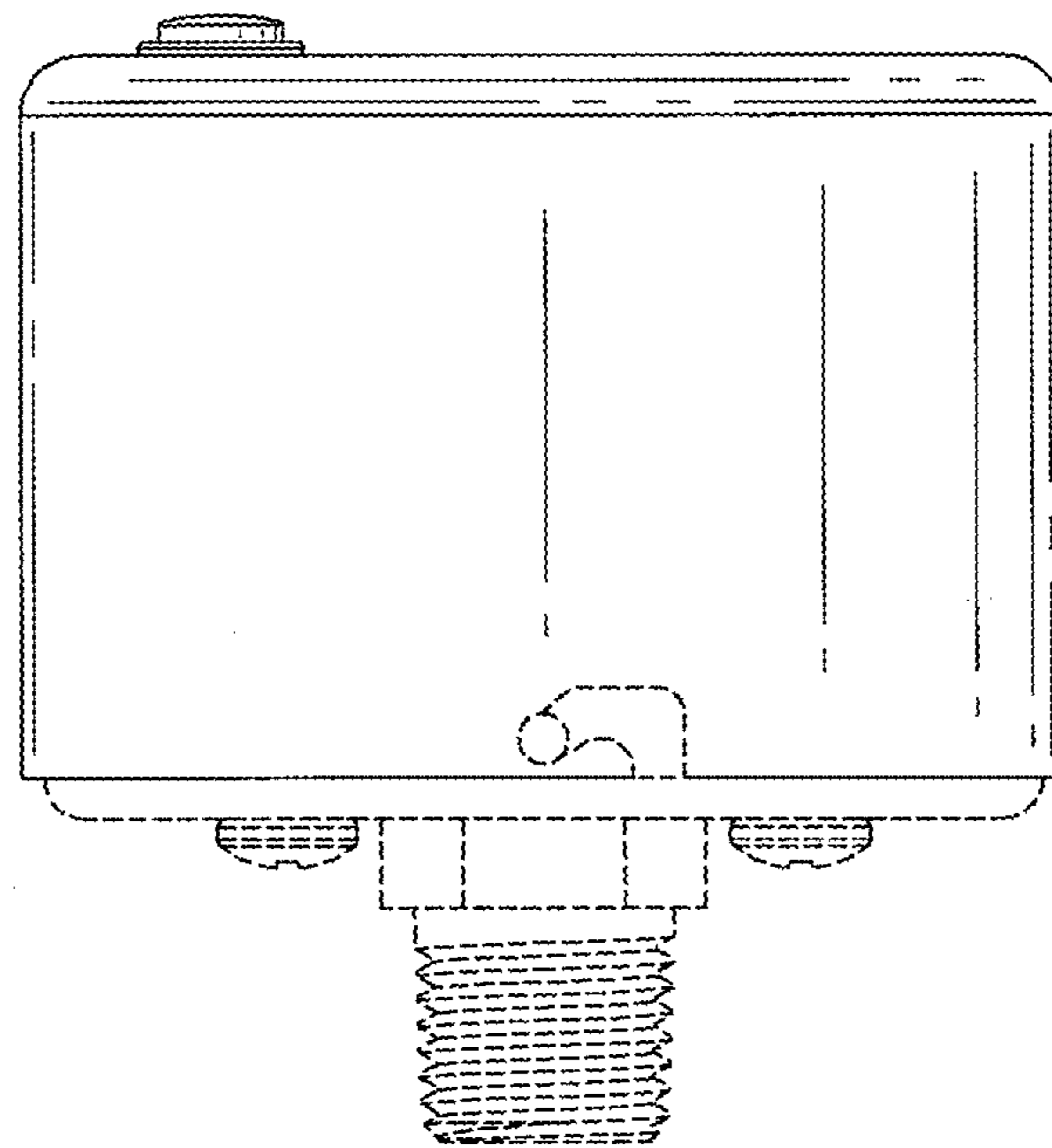


FIG. 4

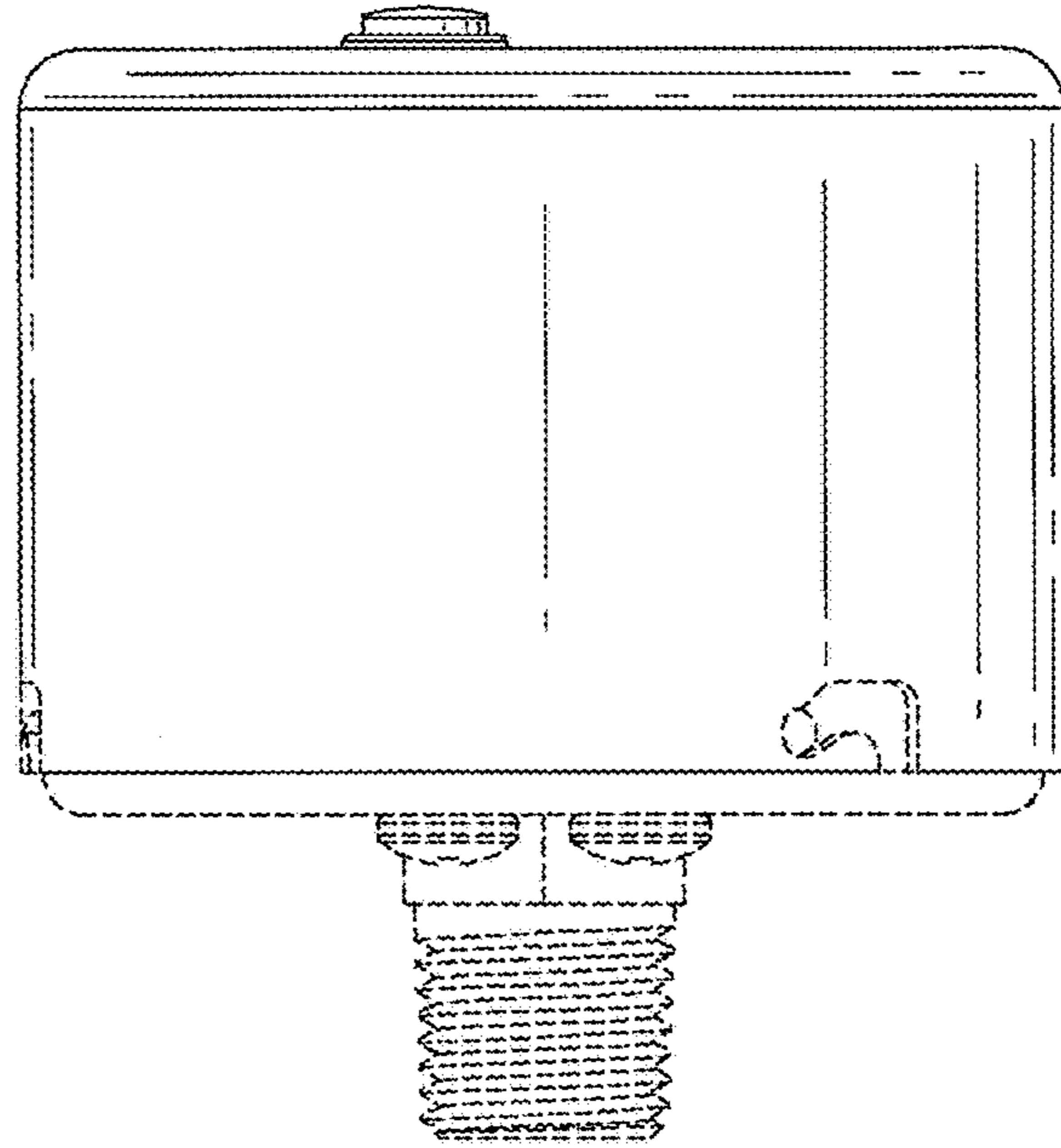


FIG. 5

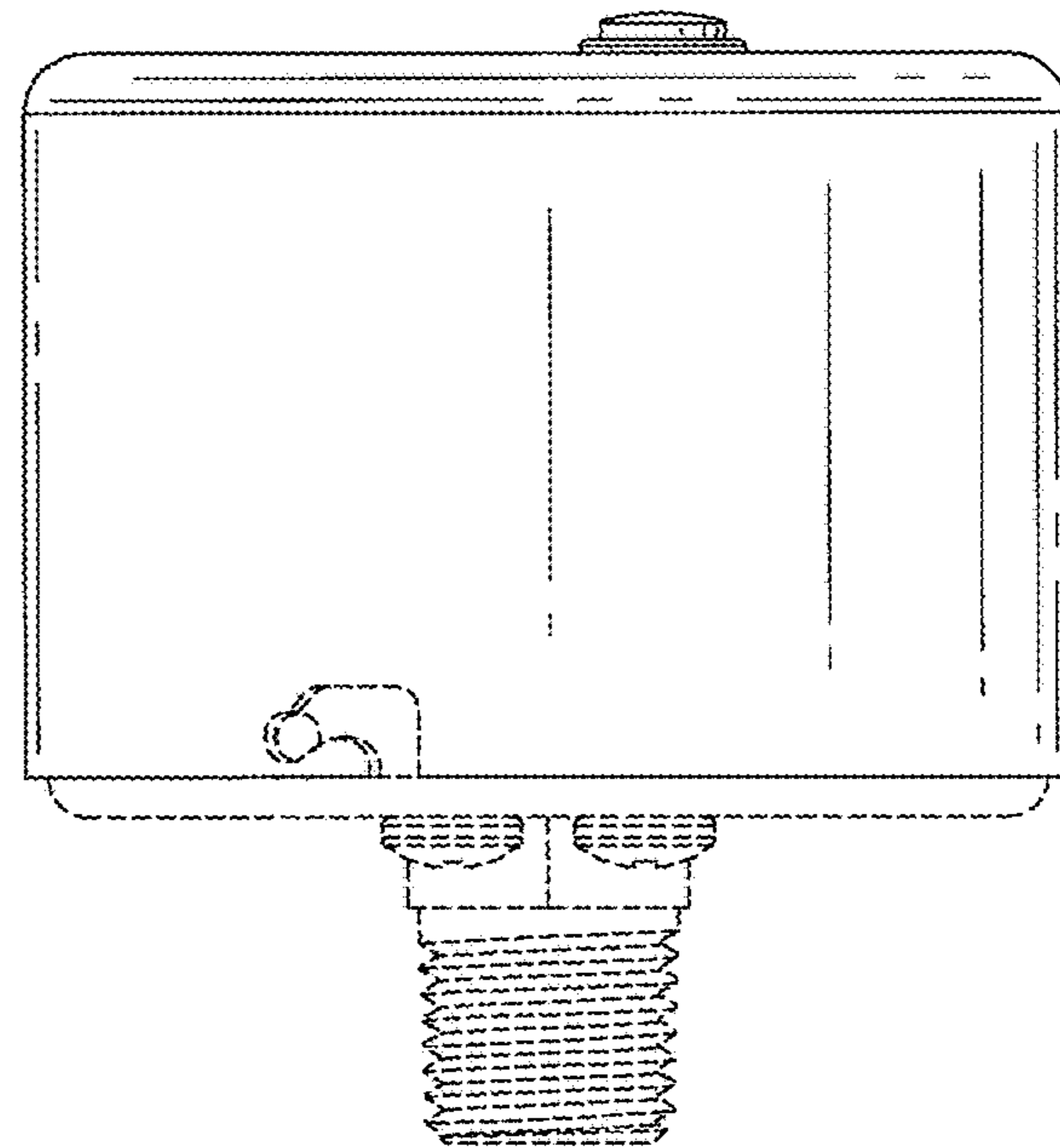


FIG. 6

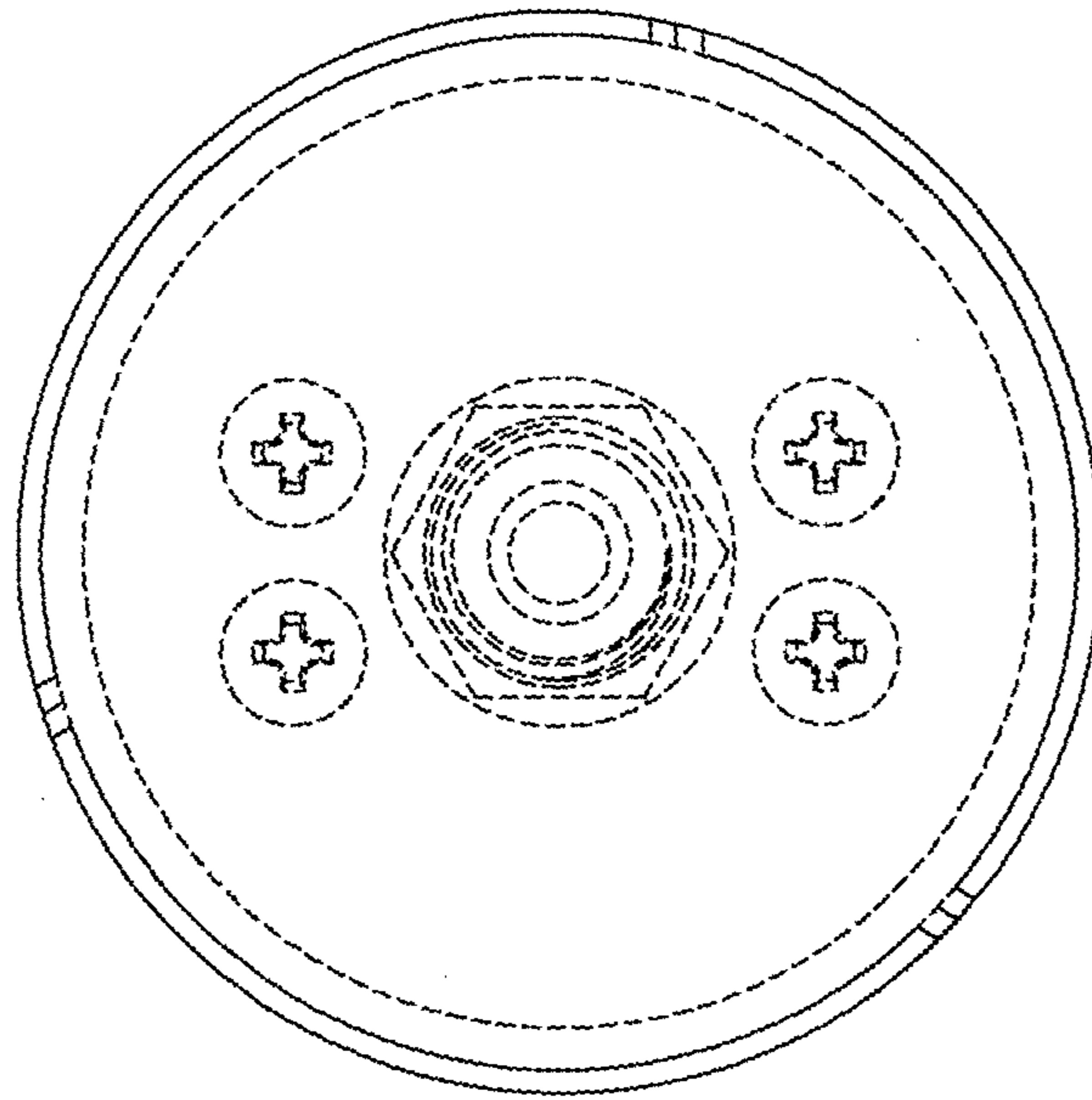


FIG. 7

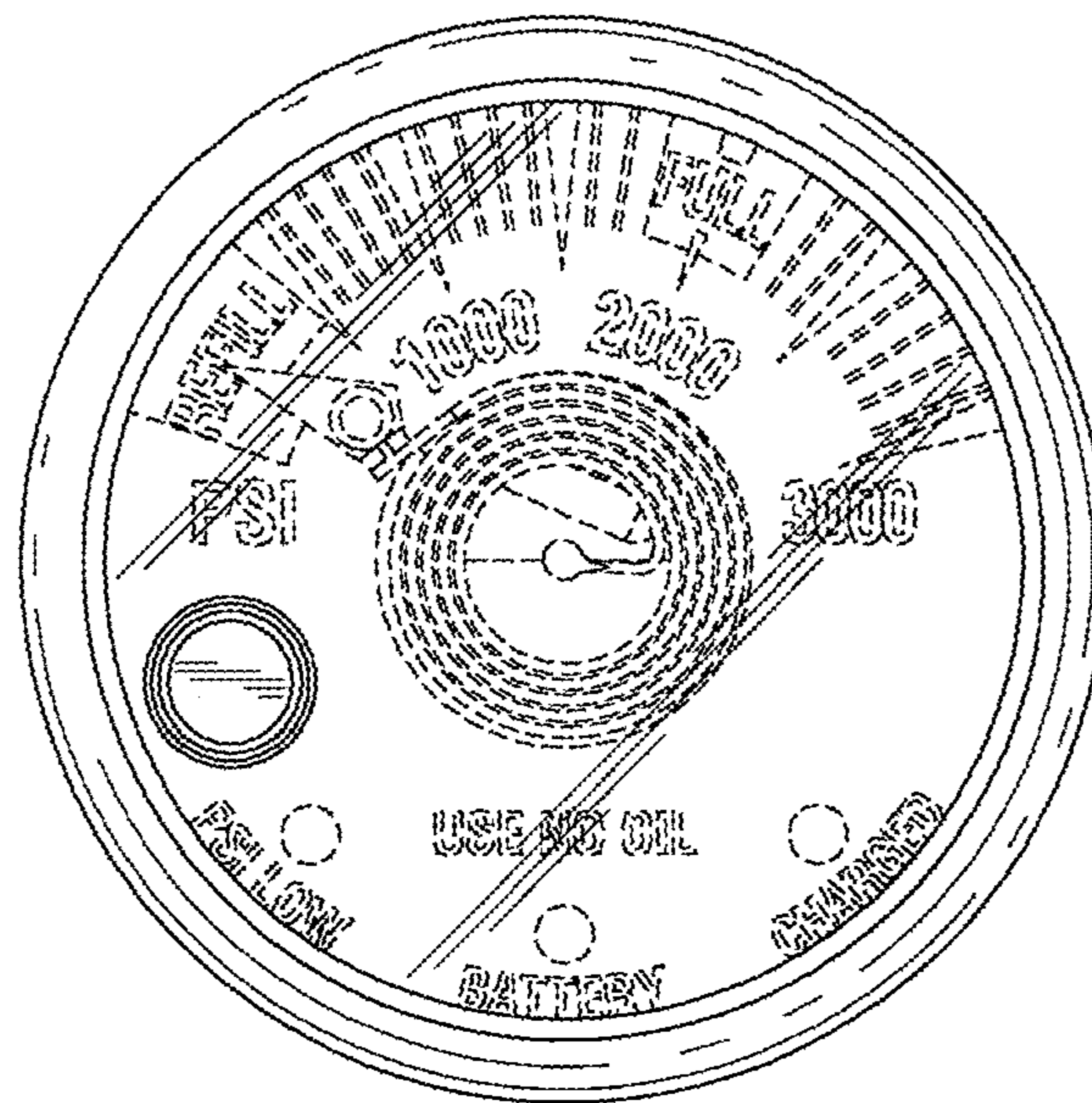


FIG. 8

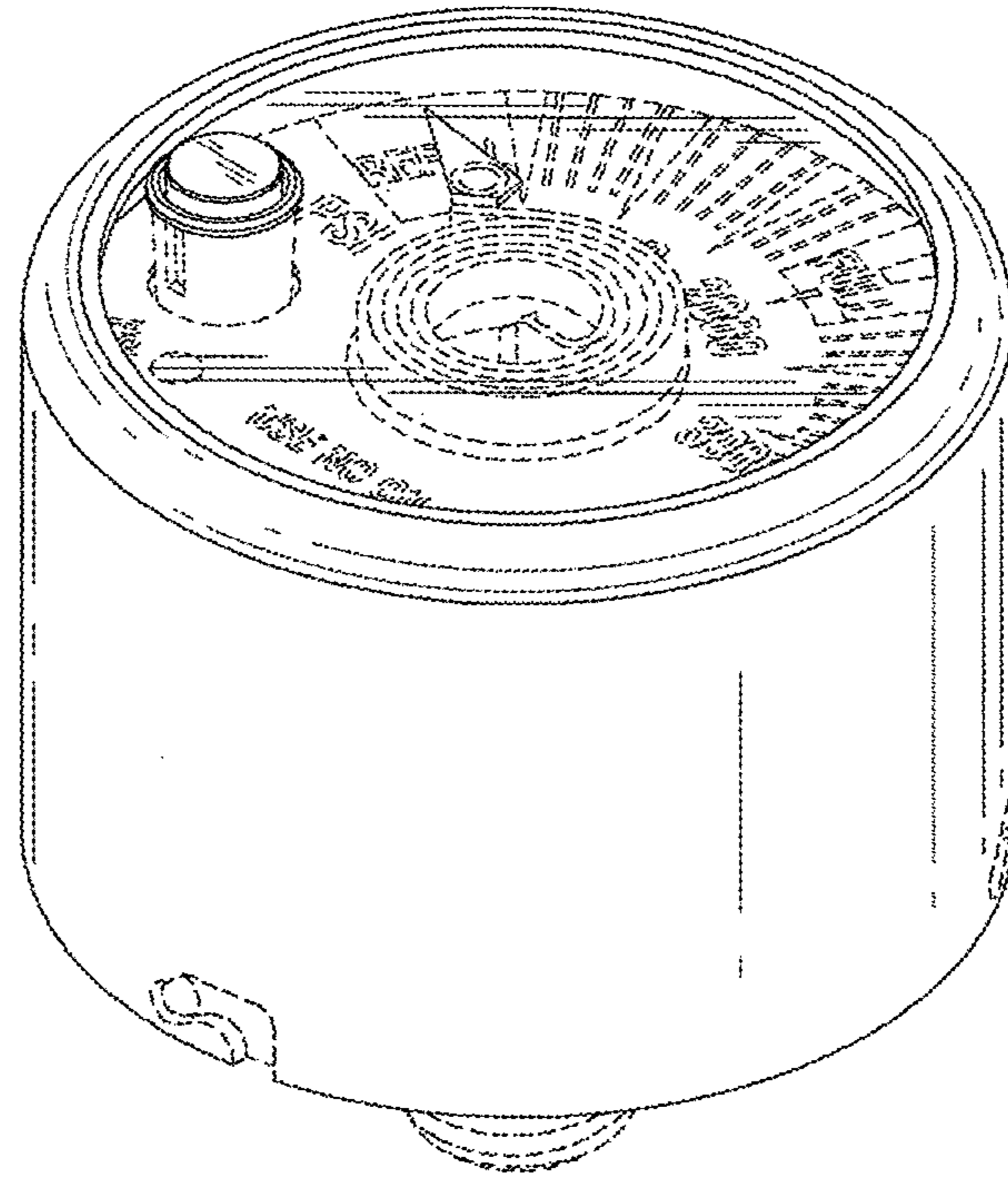


FIG. 9

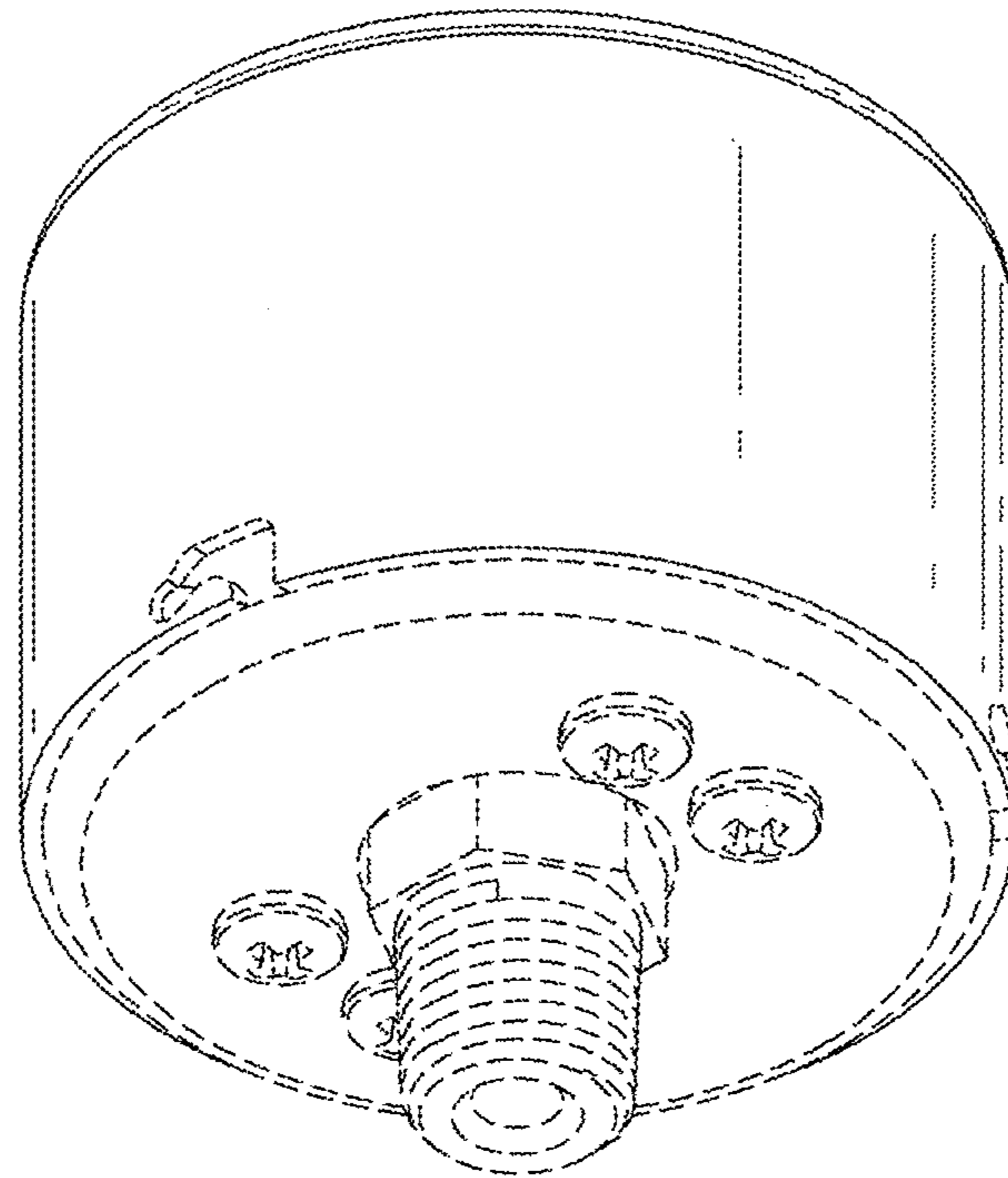


FIG. 10

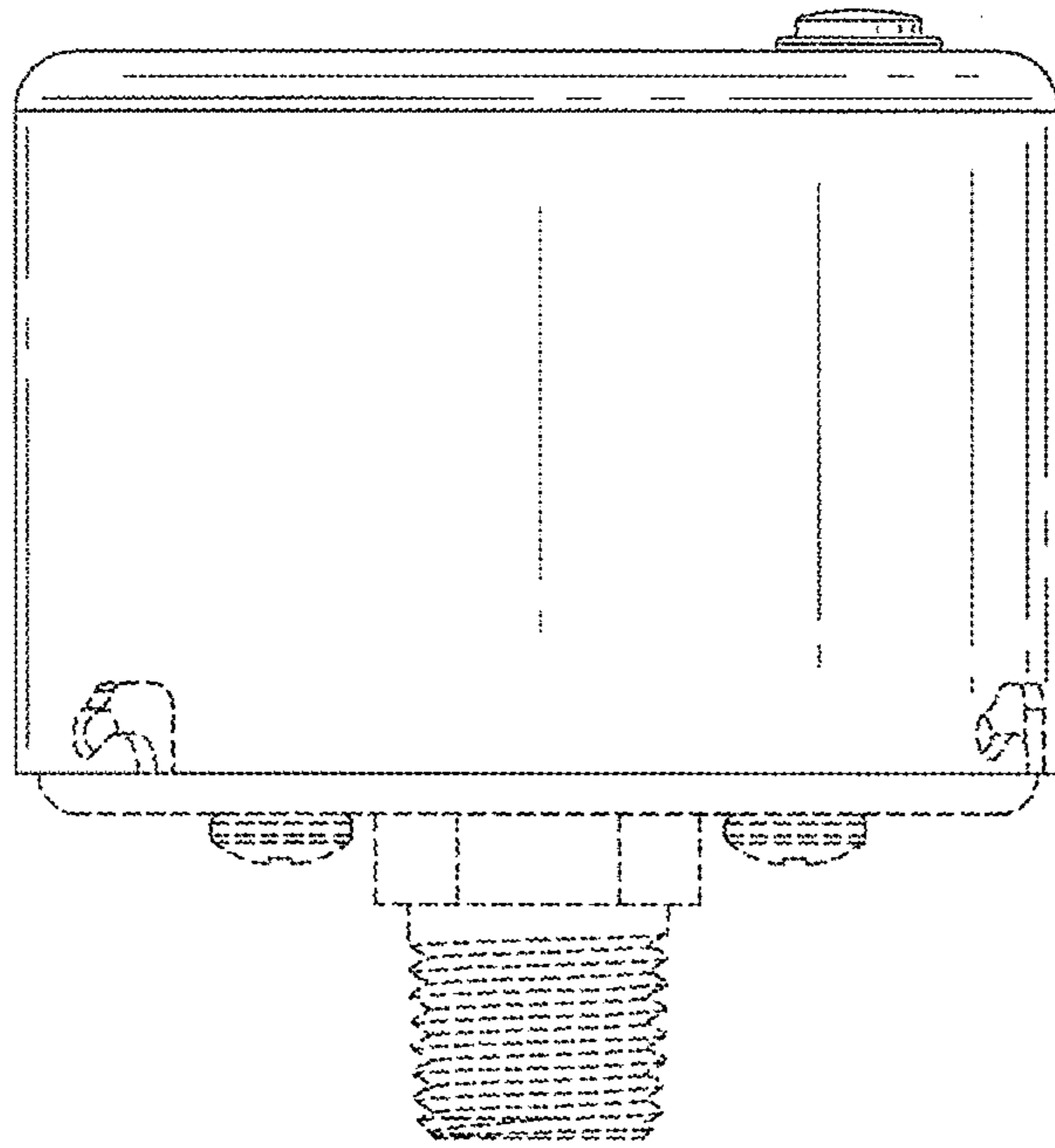


FIG. 11

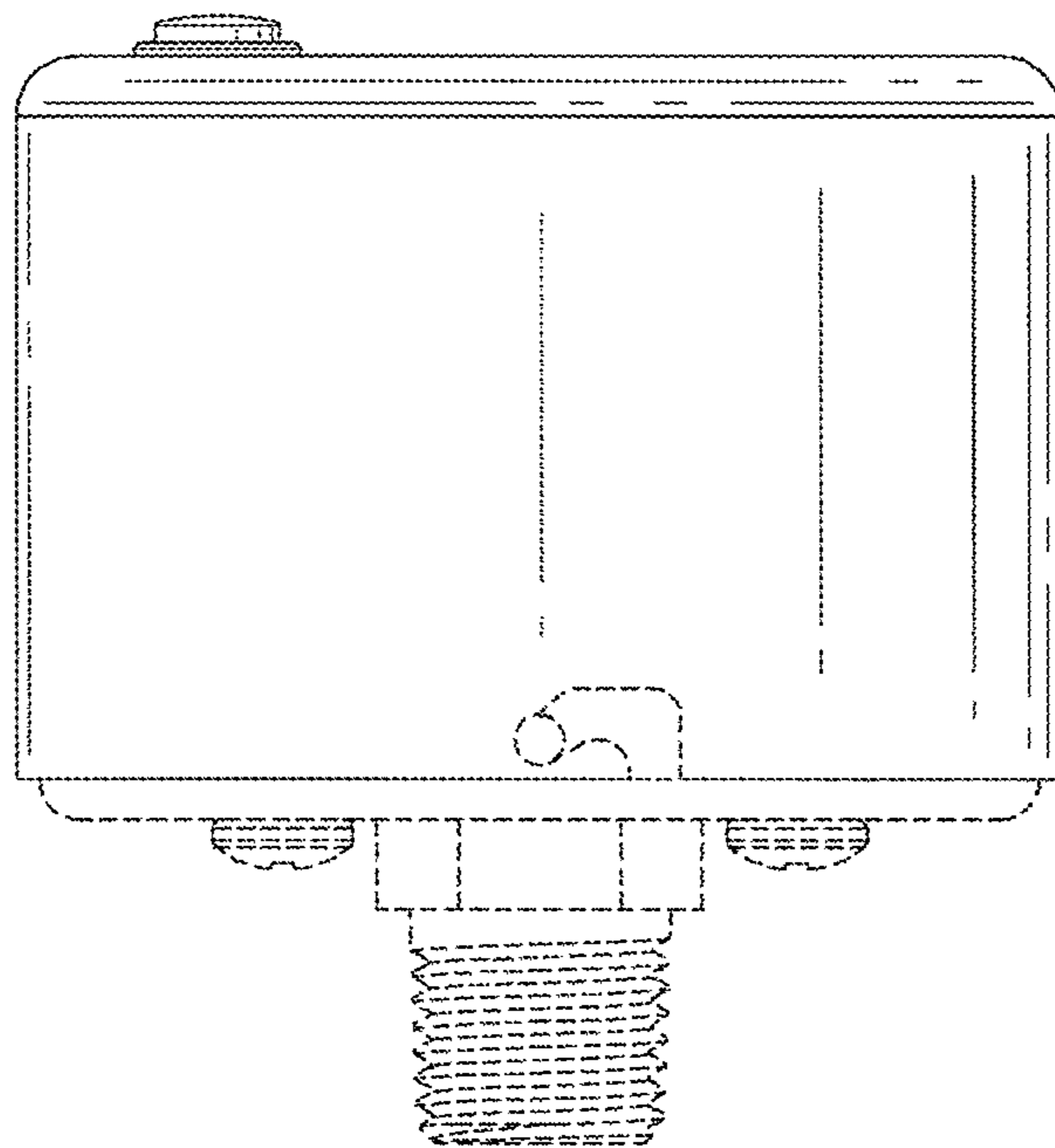


FIG. 12

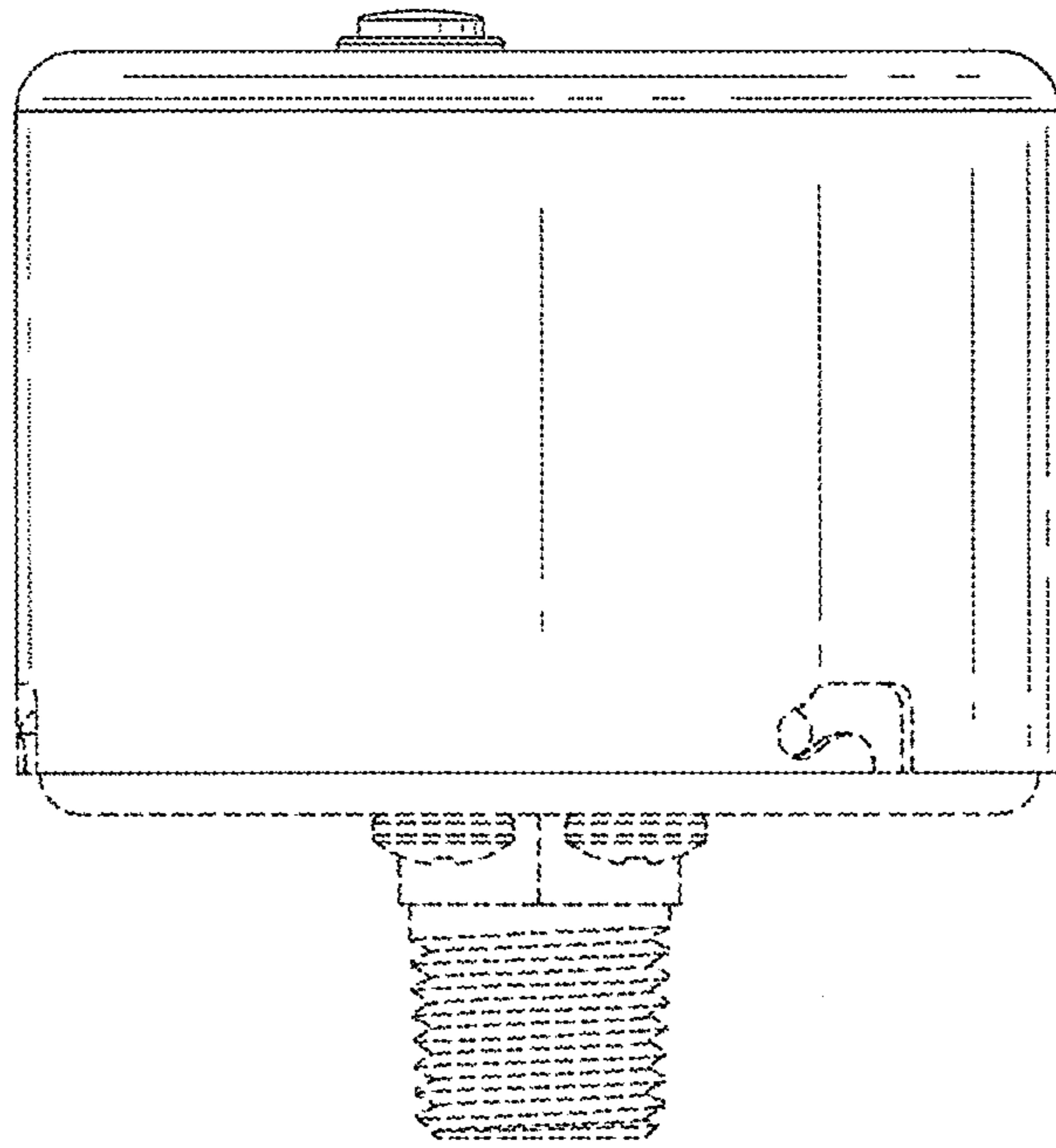


FIG. 13

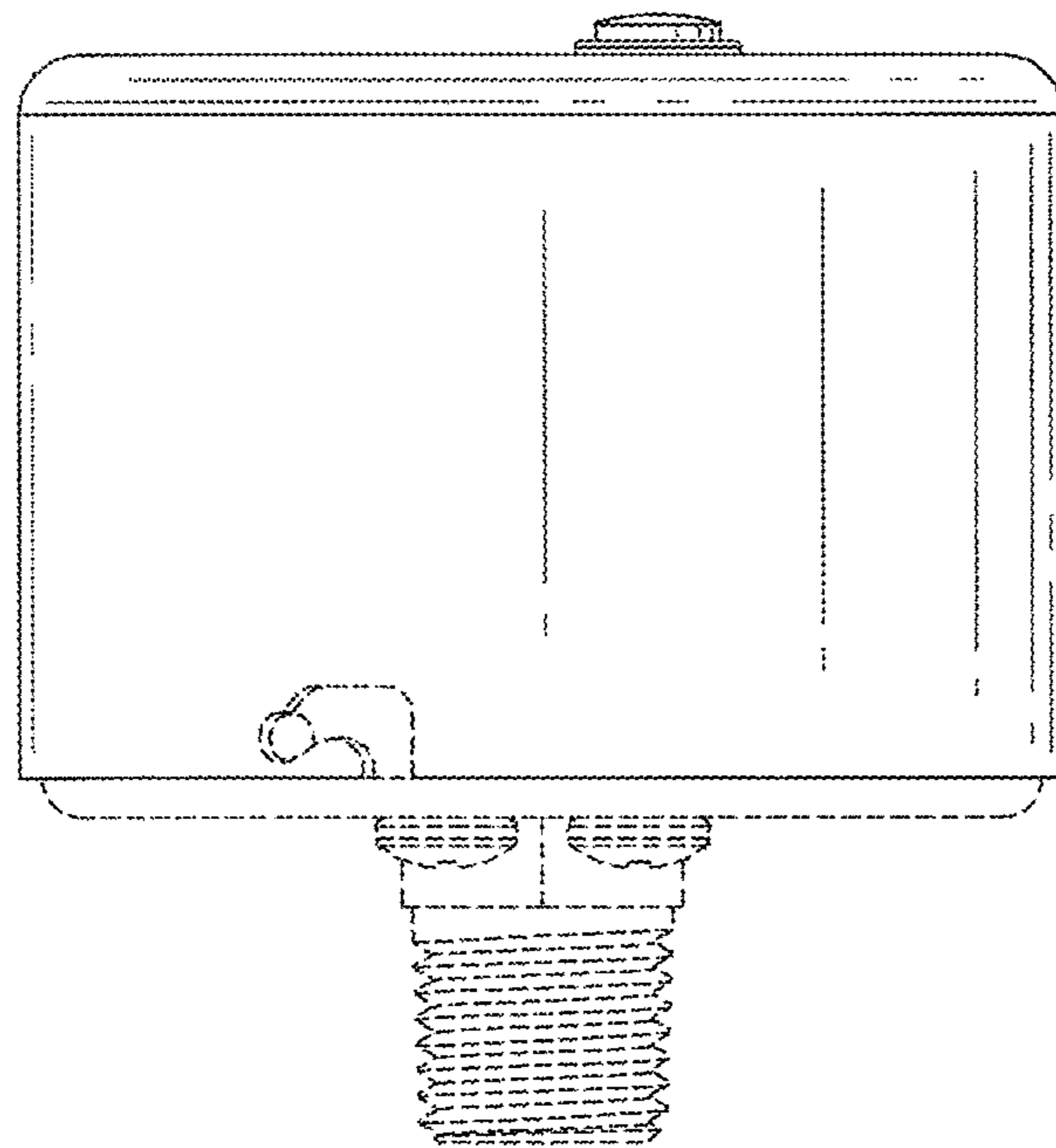


FIG. 14

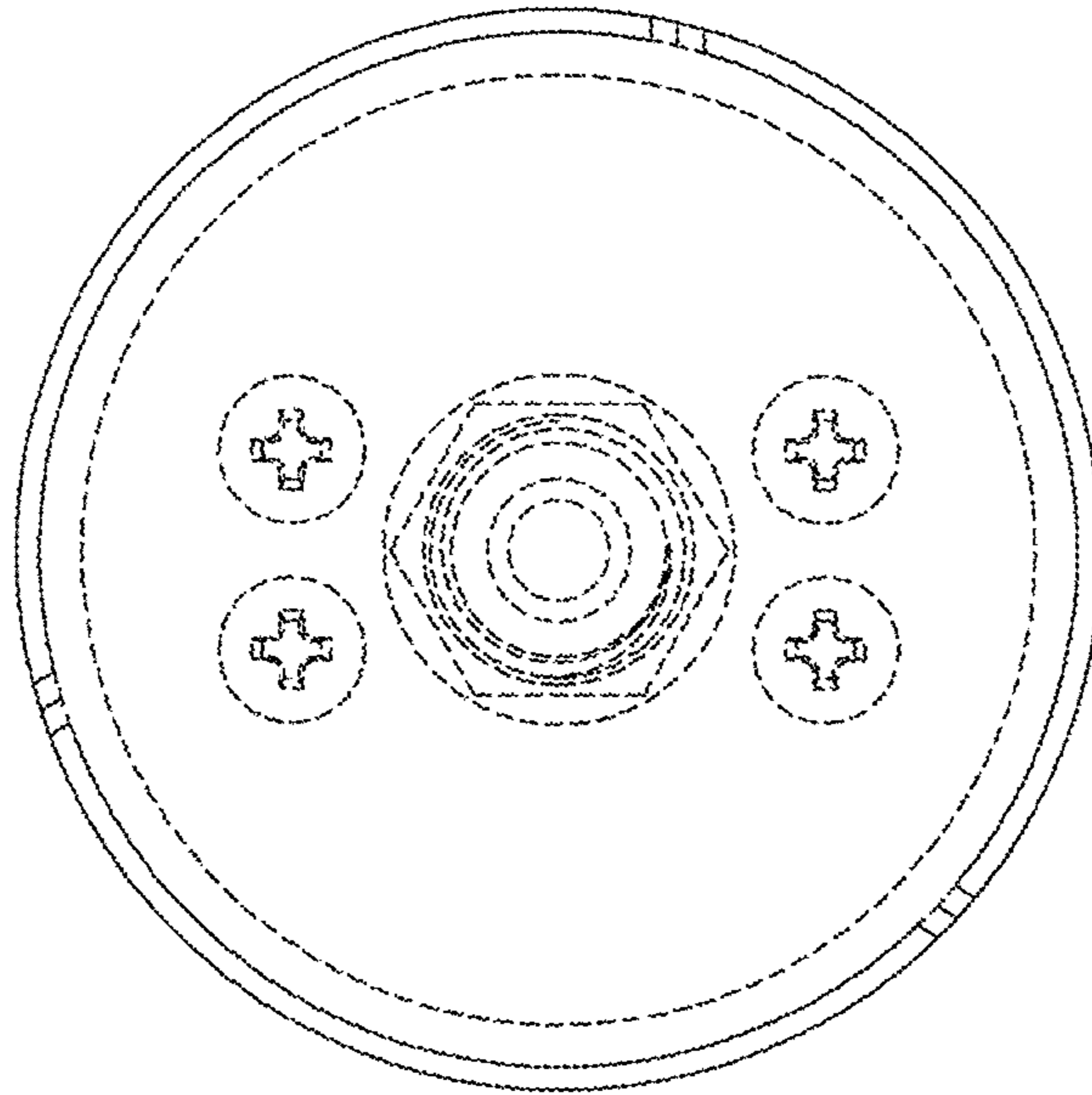


FIG. 15

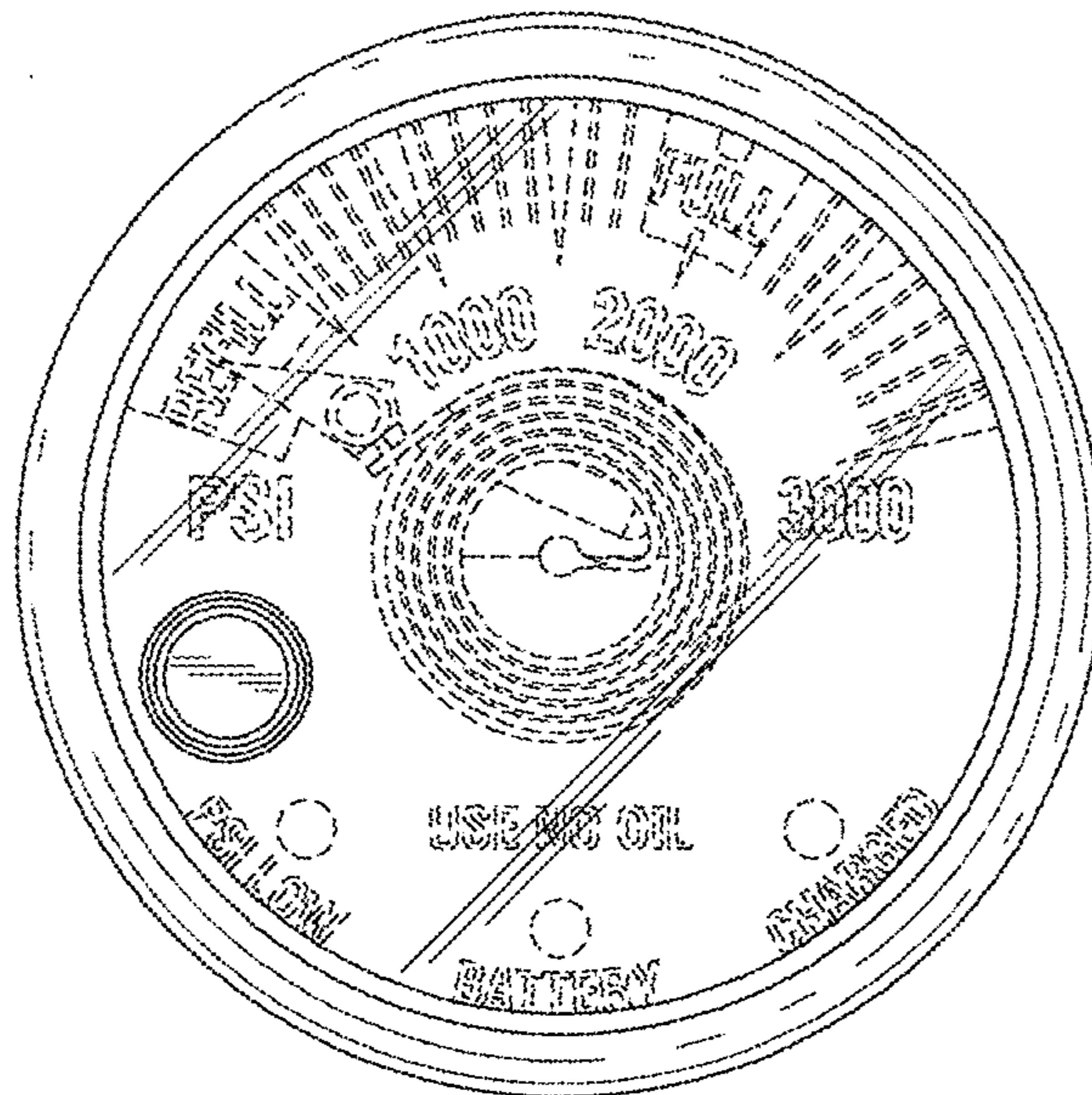


FIG. 16