



US00D817793S

(12) **United States Design Patent** (10) **Patent No.:** **US D817,793 S**
Vu et al. (45) **Date of Patent:** **** May 15, 2018**

(54) **ACTIVITY MONITORING DEVICE**

(56) **References Cited**

(71) Applicant: **Fossil Group Inc.**, Richardson, TX (US)
(72) Inventors: **Sonny X. Vu**, Salem, NH (US); **Matthew Ryan Montgomery**, Palo Alto, CA (US); **Jessica Ng Sheung-Yan**, San Francisco, CA (US)
(73) Assignee: **Fossil Group Inc.**, Richardson, TX (US)

U.S. PATENT DOCUMENTS

3,744,236 A 7/1973 Kishida
D246,104 S 10/1977 Vong
D249,874 S 10/1978 Lawrence
D349,864 S 8/1994 Dunlap
D364,099 S 11/1995 Bergeron
D417,236 S 11/1999 Burrus
6,208,593 B1 3/2001 Liao

(Continued)

(**) Term: **15 Years**

(21) Appl. No.: **29/590,700**

(22) Filed: **Jan. 12, 2017**

OTHER PUBLICATIONS

Election/Restriction dated Jun. 23, 2014 from Design U.S. Appl. No. 29/461,314, 8 pp.

(Continued)

Related U.S. Application Data

Primary Examiner — Antoine Duval Davis

(60) Continuation of application No. 29/538,738, filed on Sep. 8, 2015, now Pat. No. Des. 779,988, which is a continuation of application No. 29/517,446, filed on Feb. 12, 2015, now Pat. No. Des. 740,706, which is a continuation of application No. 29/504,667, filed on Oct. 8, 2014, now Pat. No. Des. 739,776, which is a division of application No. 29/461,314, filed on Jul. 22, 2013, now Pat. No. Des. 717,674.

(74) *Attorney, Agent, or Firm* — Cooley LLP

(51) **LOC (11) Cl.** **10-04**

(57) **CLAIM**

(52) **U.S. Cl.**
USPC **D10/70**; D10/103; D10/126; D10/128; D10/132

The ornamental design for an activity monitoring device, as shown and described.

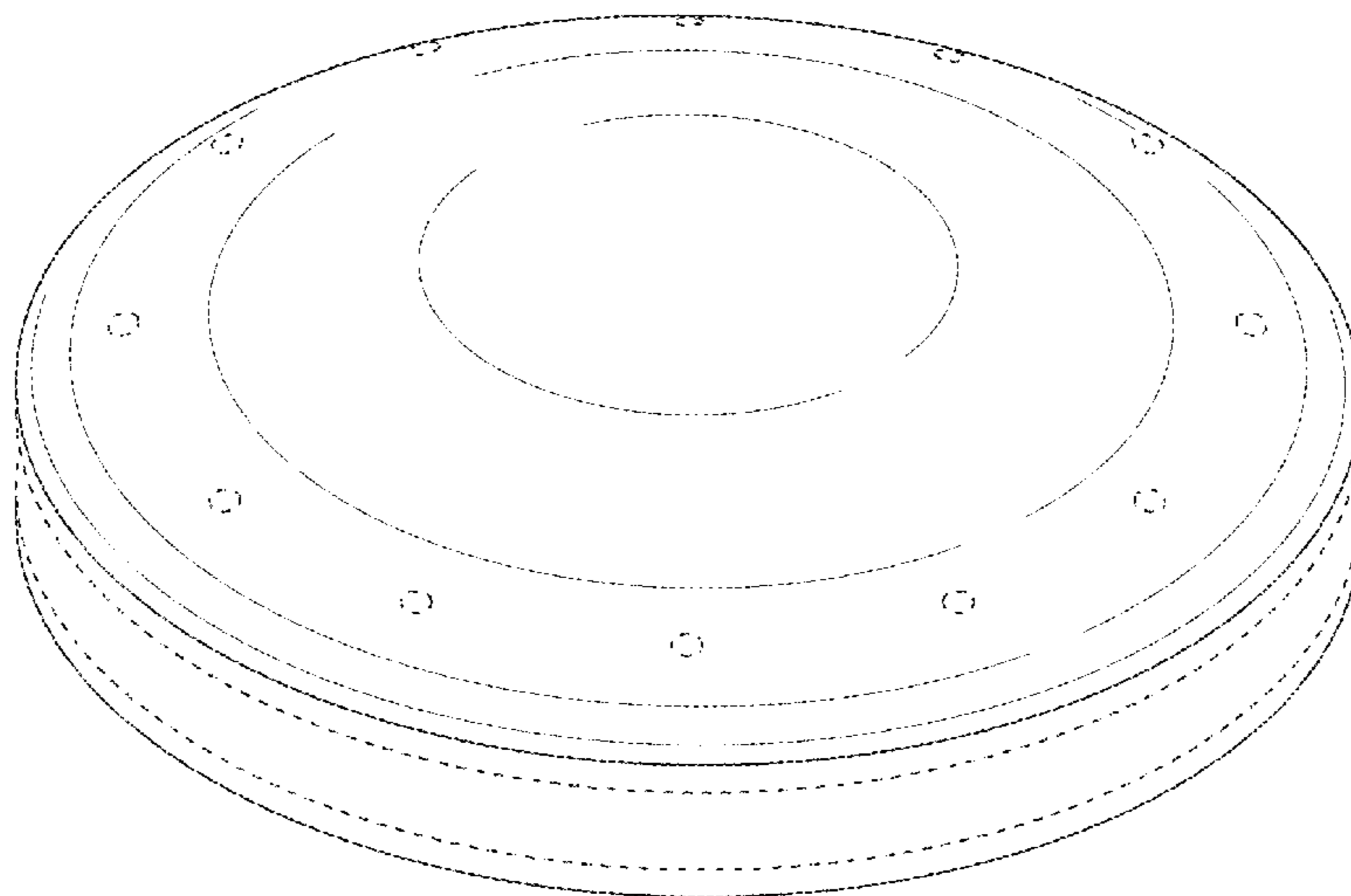
DESCRIPTION

(58) **Field of Classification Search**
USPC D10/30–39, 65, 70, 78, 97, 98, 103, 126, D10/128, 132; D14/138 R, 203.5, 203.6, D14/341, 344, 347; D24/167, 168, 186
CPC A44C 5/00–5/16; G04B 37/00–37/228; G04B 45/0069; G04B 47/04; G04B 19/00–19/34; G04B 21/12; G04B 23/12; G04B 47/00–47/068; G01C 17/00; G01C 21/00–21/3697

FIG. 1 is a top perspective view of an embodiment; FIG. 2 is a bottom perspective view of the embodiment; FIG. 3 is a top view of the embodiment; FIG. 4 is a bottom view of the embodiment; FIG. 5 is a left side view of the embodiment, the right side view being a mirror image thereof; FIG. 6 is a back view of the embodiment; and, FIG. 7 is a front view of the embodiment. The broken lines immediately adjacent the shaded areas represent the bounds of the claimed design while all other broken lines are directed to environment and are for illustrative purposes only; the broken lines form no part of the claimed design.

See application file for complete search history.

1 Claim, 6 Drawing Sheets



(56)

References Cited

OTHER PUBLICATIONS

U.S. PATENT DOCUMENTS

D486,090 S 2/2004 Thomson
 7,134,784 B1 11/2006 Marin
 D596,051 S 7/2009 Mille
 8,199,612 B2 6/2012 Jolidon
 D664,456 S 7/2012 Trine et al.
 D668,164 S 10/2012 Cowles et al.
 D671,026 S 11/2012 Thurau
 8,400,883 B2 3/2013 Lin
 8,477,567 B2 7/2013 Greubel et al.
 D687,328 S 8/2013 Clymer et al.
 D692,332 S 10/2013 Ni et al.
 D695,145 S 12/2013 De Belder
 D700,080 S 2/2014 Broadbent et al.
 D708,073 S 7/2014 Parmigiani
 D709,785 S 7/2014 Stegmann
 D717,674 S 11/2014 Vu
 D724,970 S 3/2015 Hasegawa
 D726,680 S * 4/2015 Kim D10/37
 D726,924 S * 4/2015 Tseng D24/186
 D733,596 S * 7/2015 Goodner D10/70
 D736,107 S * 8/2015 Lee D10/70
 D739,284 S * 9/2015 Vu D10/103
 D739,775 S * 9/2015 Vu D10/103
 D739,776 S * 9/2015 Vu D10/103
 D739,777 S * 9/2015 Vu D10/103
 D739,778 S * 9/2015 Vu D10/103
 D739,942 S * 9/2015 Pernu D24/167
 9,140,717 B2 * 9/2015 Perkins G01C 21/16
 D740,706 S * 10/2015 Vu D10/103
 D743,819 S * 11/2015 Golnik D10/70
 D749,570 S * 2/2016 Lee D14/344
 D756,955 S * 5/2016 Wagner D14/203.6
 D770,314 S 11/2016 Golnik
 D779,988 S 2/2017 Vu et al.

Election/Restriction dated Apr. 13, 2016 from Design U.S. Appl. No. 29/542,007, 8 pp.
 Election/Restriction dated May 14, 2015 from Design U.S. Appl. No. 29/512,056, 8 pp.
 Election/Restriction dated Jul. 15, 2016 from Design U.S. Appl. No. 29/538,738, 9 pp.
 Design Examination Report No. 1 dated Apr. 18, 2016 from Australian Application No. 201611773, 12 pp.
 Design Examination Report No. 1 dated Apr. 18, 2016 from Australian Application No. 201611774, 12 pp.
 Design Examination Report No. 1 dated Apr. 18, 2016 from Australian Application No. 201611775, 12 pp.
 Design Examination Report No. 1 dated Apr. 18, 2016 from Australian Application No. 201611776, 12 pp.
 Design Examination Report No. 1 dated Apr. 18, 2016 from Australian Application No. 201611777, 12 pp.
 Design Examination Report No. 1 dated Jun. 1, 2016 from Australian Application No. 201611763, 12 pp.
 Design Examination Report No. 2 dated Sep. 29, 2016 from Australian Application No. 201611777, 7 pp.
<https://www.facebook.com/MisfitWearables> published on Oct. 1, 2013, 1 pp.
<https://twitter.com/Misfit> published on Feb. 25, 2014, 1 pp.
<https://www.facebook.com/diana.chang.165?fref=ts> published on Aug. 18, 2015, 1 pp.
<http://www.wired.com/2013/08/misfit-shine-a-fitness-tracker-that-charts-new-wearable-territory/> published on Aug. 16, 2013, 1 p.
<http://www.gadfit.com/mothers-day-fitness-trackers-deals/> published on May 1, 2014, 1 p.

* cited by examiner

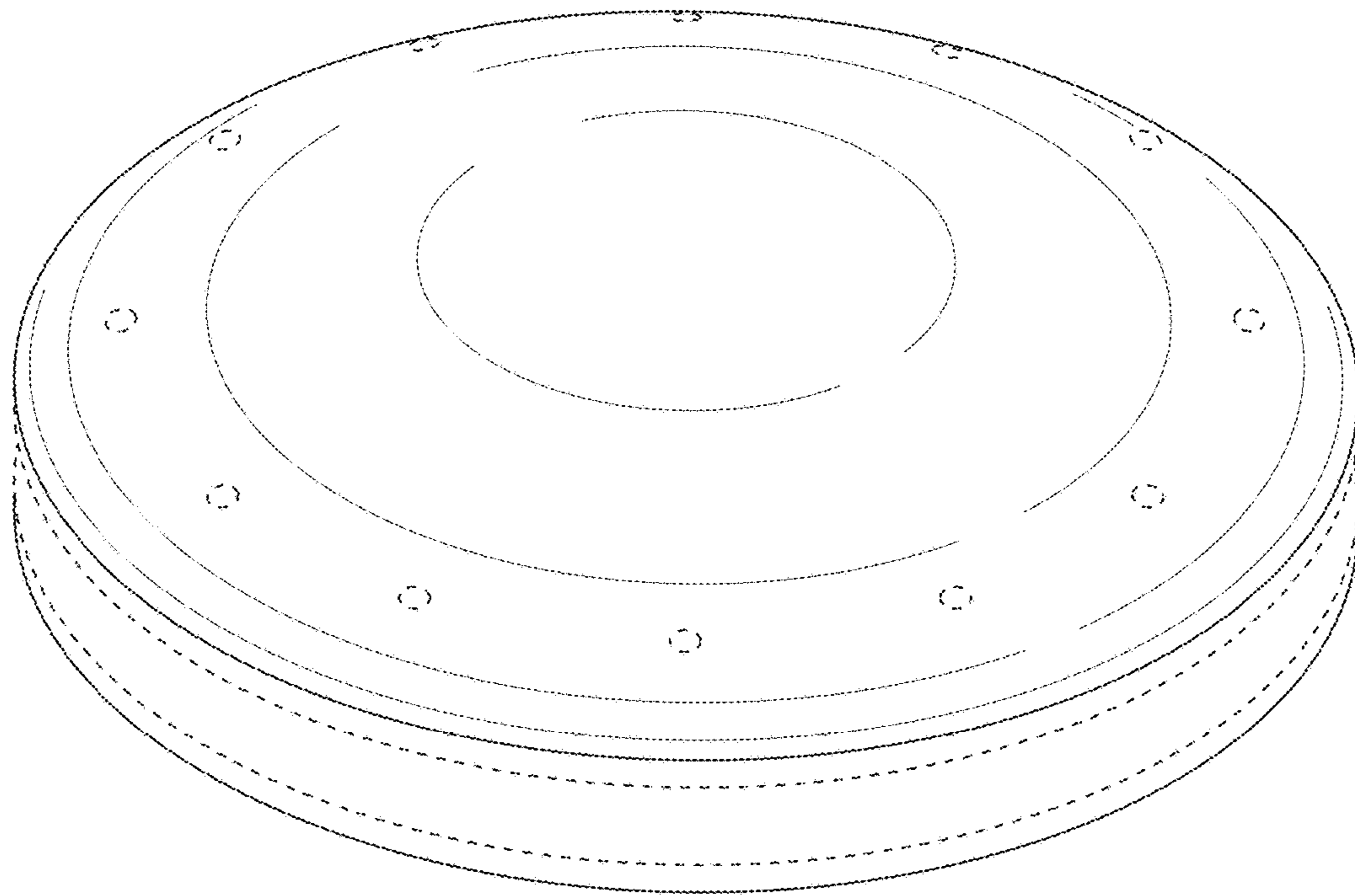


FIG. 1

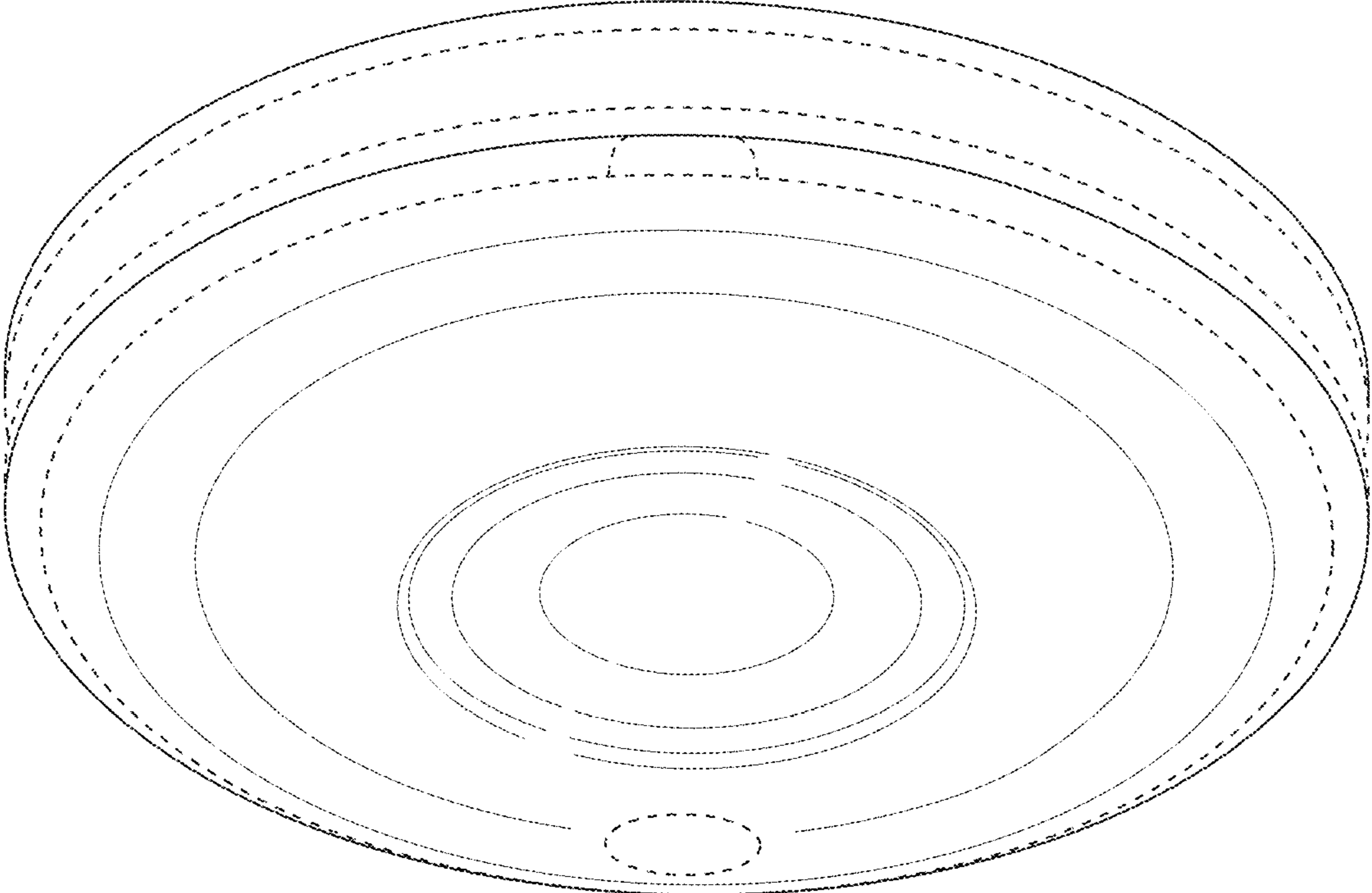


FIG. 2

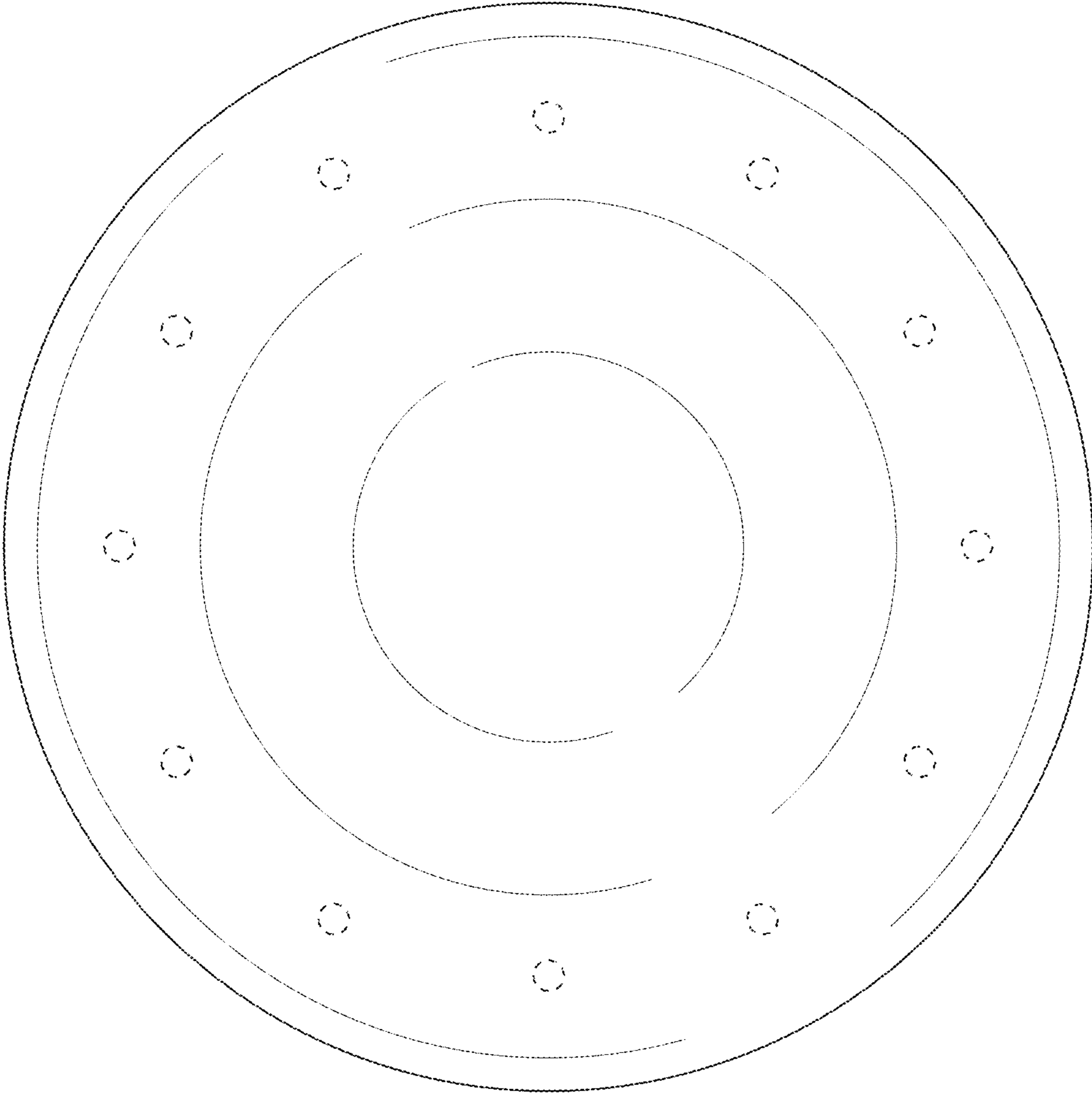


FIG. 3

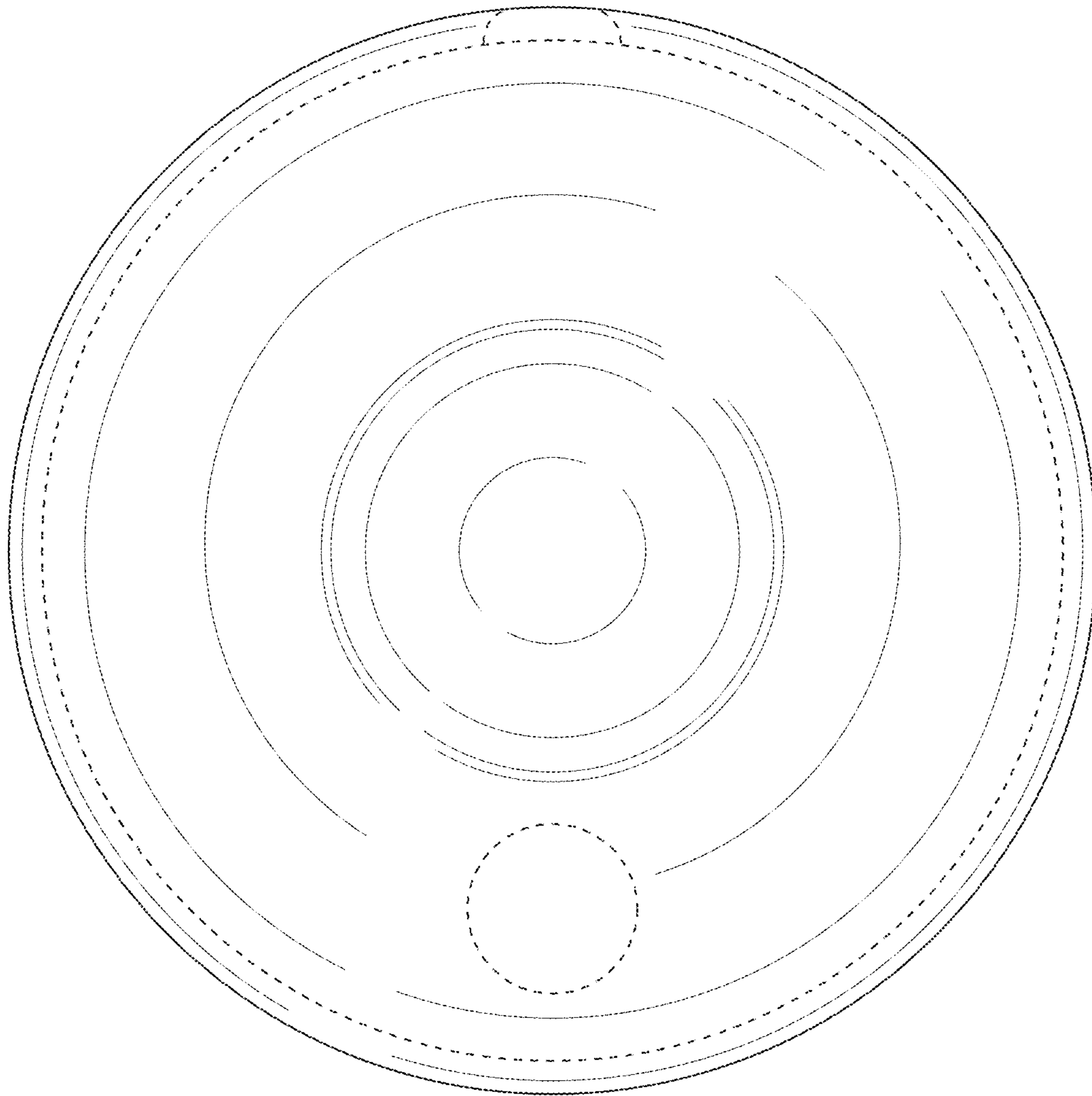


FIG. 4

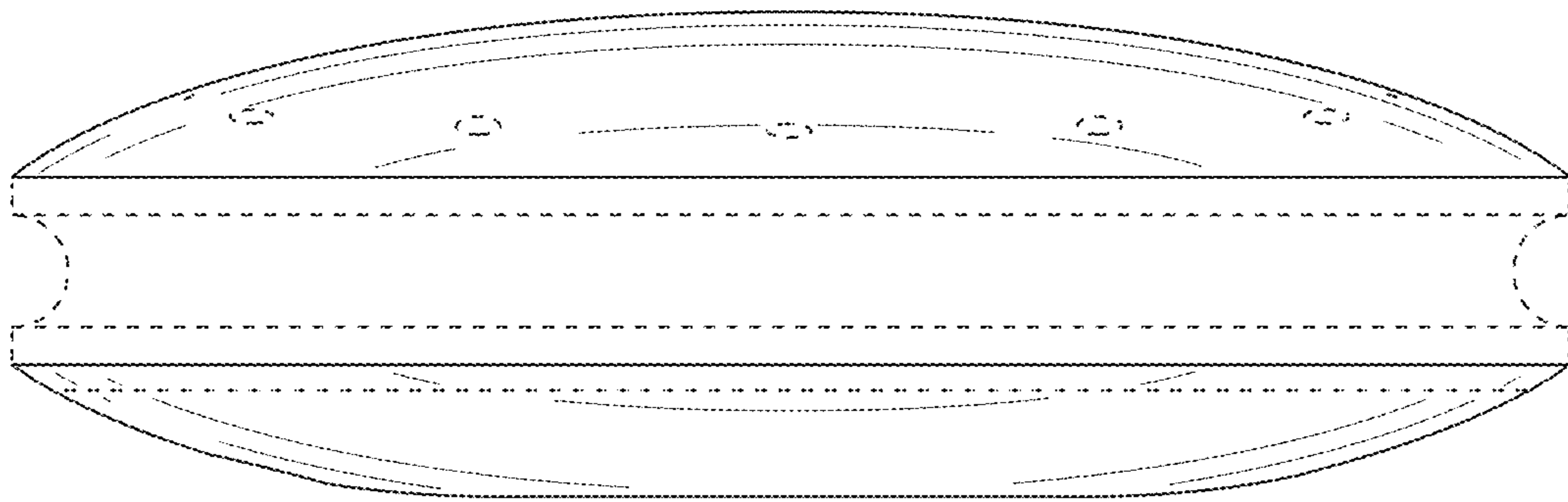


FIG. 5

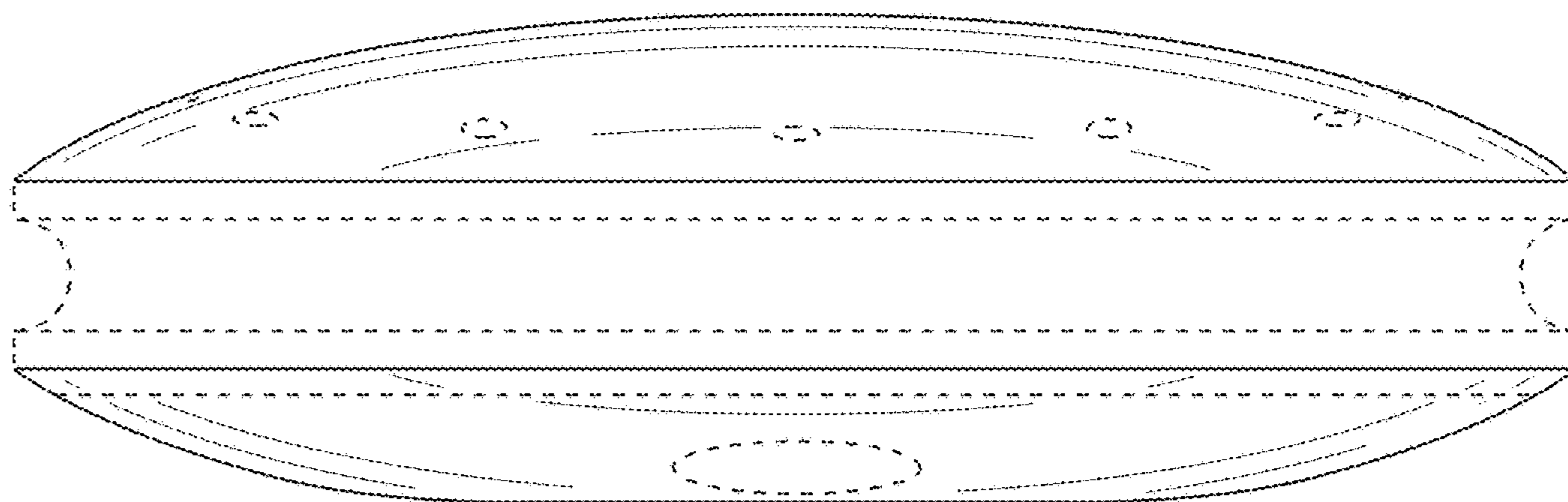


FIG. 6

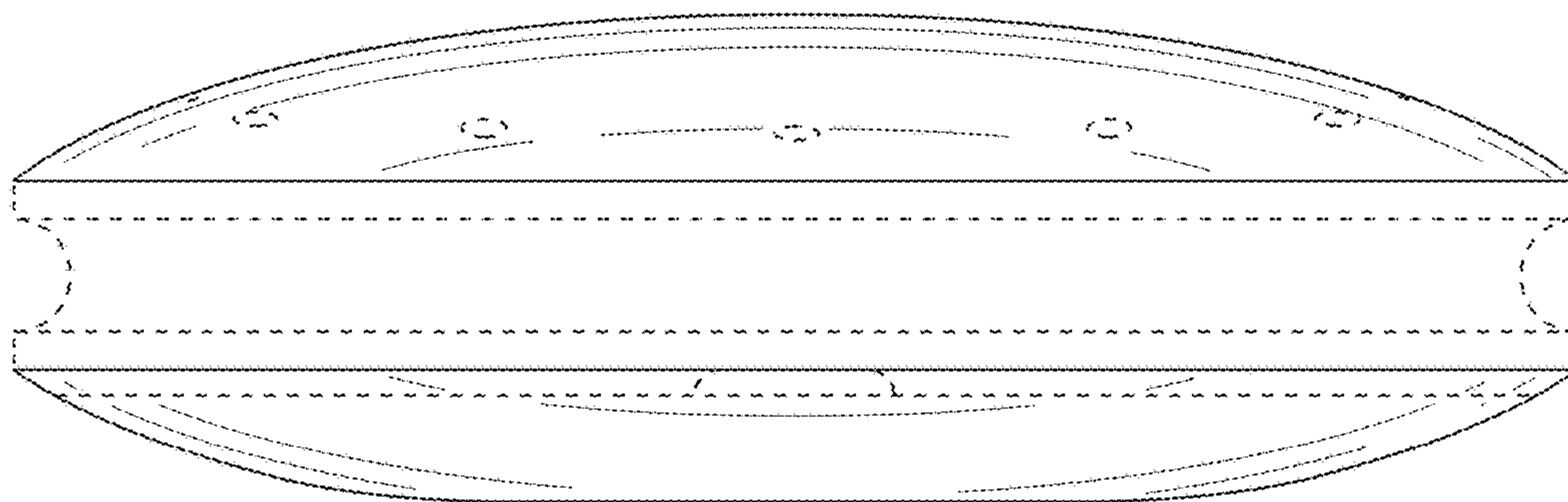


FIG. 7