



US00D817791S

(12) **United States Design Patent** (10) **Patent No.:** **US D817,791 S**  
**Kikkeri** (45) **Date of Patent:** **\*\* May 15, 2018**

- (54) **SENSOR ARRAY**
- (71) Applicant: **Harshavardhana Narayana Kikkeri**,  
San Jose, CA (US)
- (72) Inventor: **Harshavardhana Narayana Kikkeri**,  
San Jose, CA (US)
- (\*\*) Term: **15 Years**
- (21) Appl. No.: **29/586,905**
- (22) Filed: **Dec. 7, 2016**
- (51) **LOC (11) Cl.** ..... **10-04**
- (52) **U.S. Cl.**  
USPC ..... **D10/65; D10/70; D2/853**
- (58) **Field of Classification Search**  
USPC ..... **D2/830, 841, 853, 999**  
CPC ..... **A61B 5/11; A61B 5/1107; A61B 5/1112;**  
**A61B 5/113; A61B 5/1114; A61B 5/1115;**  
**A61B 2503/04; A61B 2503/06; A61B**  
**2503/08; A61B 2503/10; A61B 2503/12;**  
**A61B 2503/045; A61B 2503/20; A61B**  
**2505/00; A61B 2505/07; A61B 2505/09;**  
**A61B 2560/04; A61B 2560/0406; A61B**  
**2562/0253; A61B 2562/0285**  
See application file for complete search history.

(56) **References Cited**

**U.S. PATENT DOCUMENTS**

- 8,025,632 B2 \* 9/2011 Einarsson ..... A41D 13/1281  
602/23
- 9,330,558 B2 \* 5/2016 Logan ..... A41D 1/002
- 9,588,582 B2 \* 3/2017 Connor ..... A61B 5/1126

- 9,700,238 B2 \* 7/2017 Stewart ..... A61B 5/1113
- 9,759,539 B2 \* 9/2017 Kim ..... A61B 5/1114

\* cited by examiner

*Primary Examiner* — Antoine Duval Davis

(57) **CLAIM**

The ornamental design for a sensor array, substantially as shown and described.

**DESCRIPTION**

FIG. 1 is a front perspective view of a sensor array, in accordance with an embodiment of the present design; FIG. 2 is a front elevational view of the embodiment shown in FIG. 1; FIG. 3 is a rear elevational view of the embodiment shown in FIG. 1; and, FIG. 4 is a left side elevational view of the embodiment shown in FIG. 1.

A right side elevational view is not shown because it is symmetric to the left side elevational view.

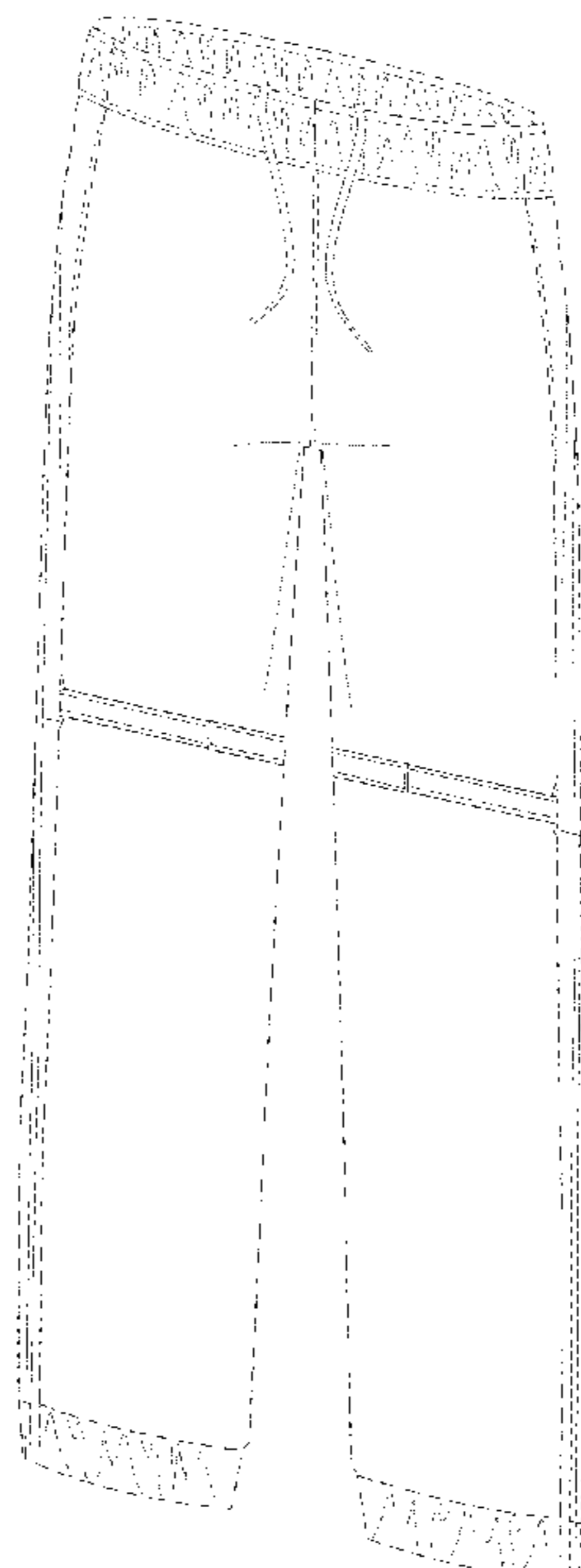
The broken line showing the exemplary pants to which the sensor array is attached in strategic locations is for illustrative purposes only and forms no part of the claimed design.

A top view is not shown because FIGS. 1 and 2 depict a top perspective view and the claimed features have no significant depth requiring a top, in-plane view.

Likewise, a bottom view is not shown because the claimed features have no significant depth requiring a bottom, in-plane view.

The alternating thick-thin parallel lines depicting the generally parallel sensor stitching lines are for illustrative purposes to avoid USPTO considering realistic stitching as not being claimed because they may inherently appear to be dashed lines. As such, the alternating thick-thin parallel lines shown should be construed to appear like any common surface stitching would look into a clothing material.

**1 Claim, 4 Drawing Sheets**



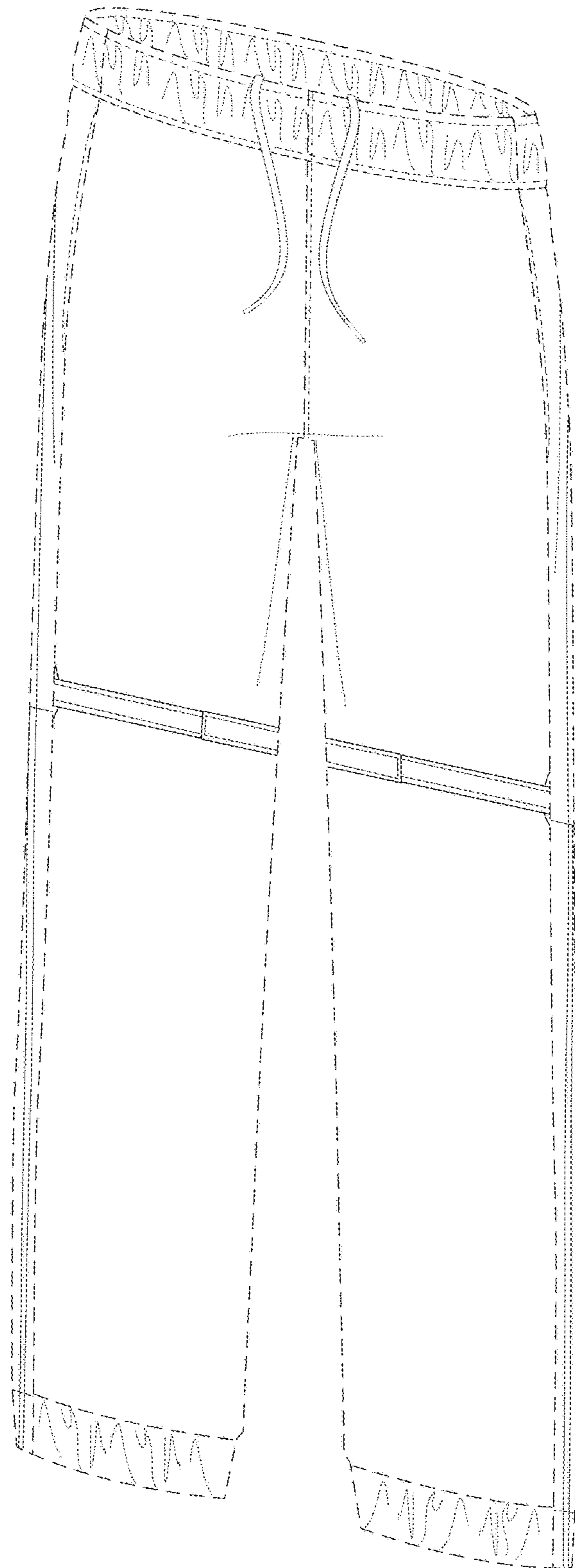


FIG. 1

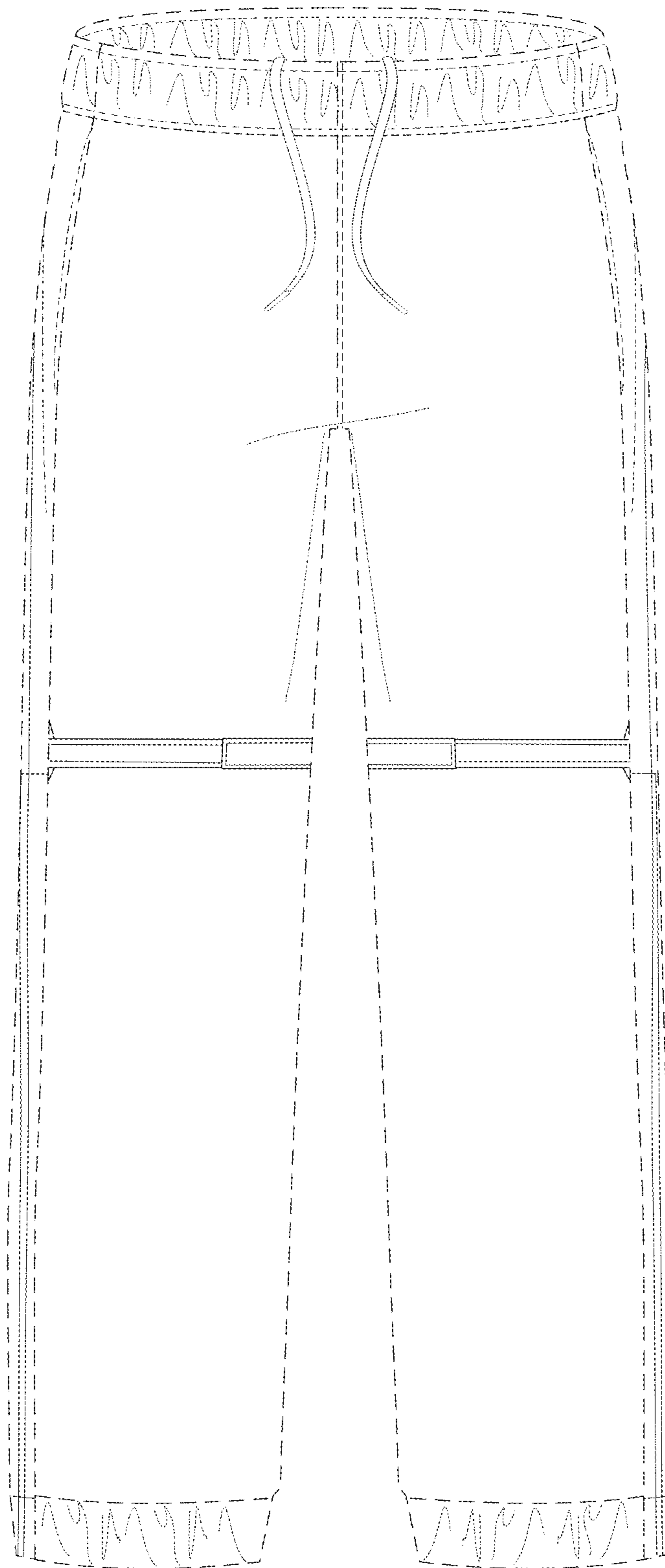


FIG. 2

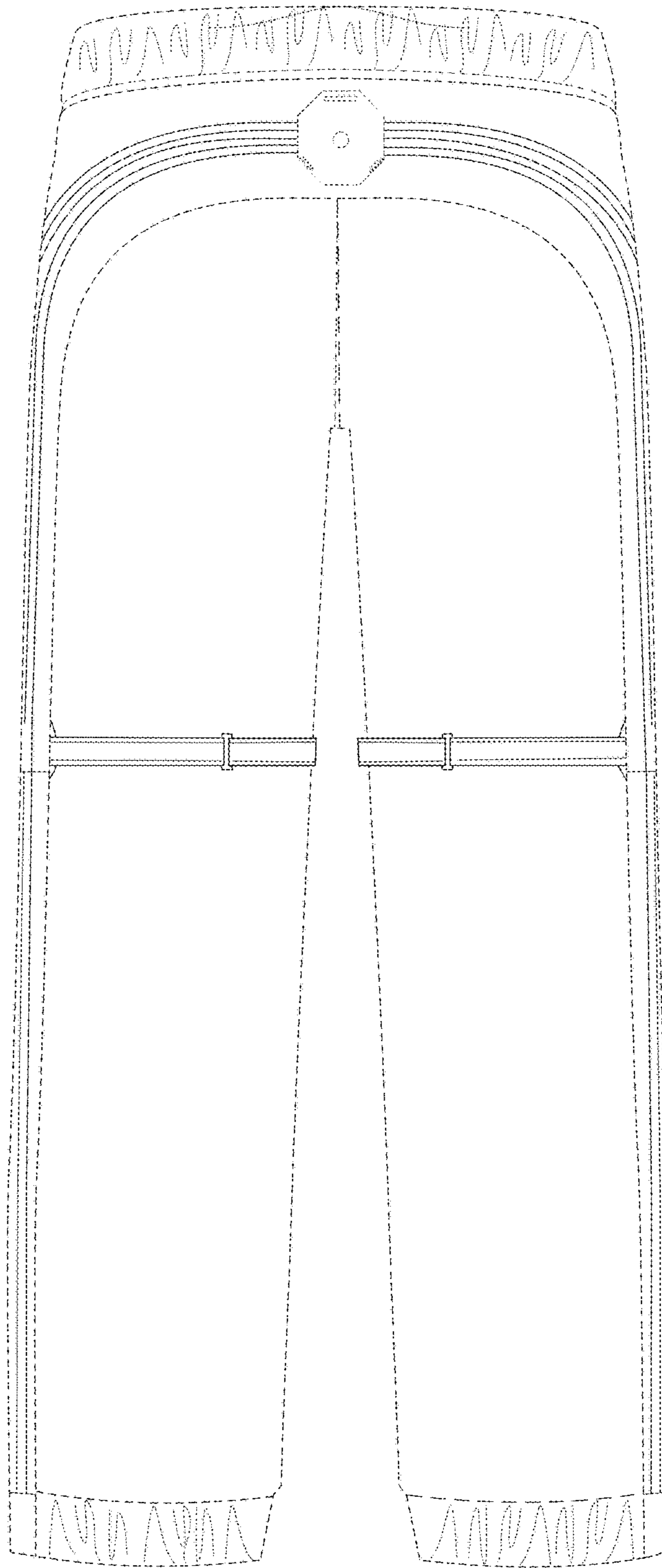


FIG. 3

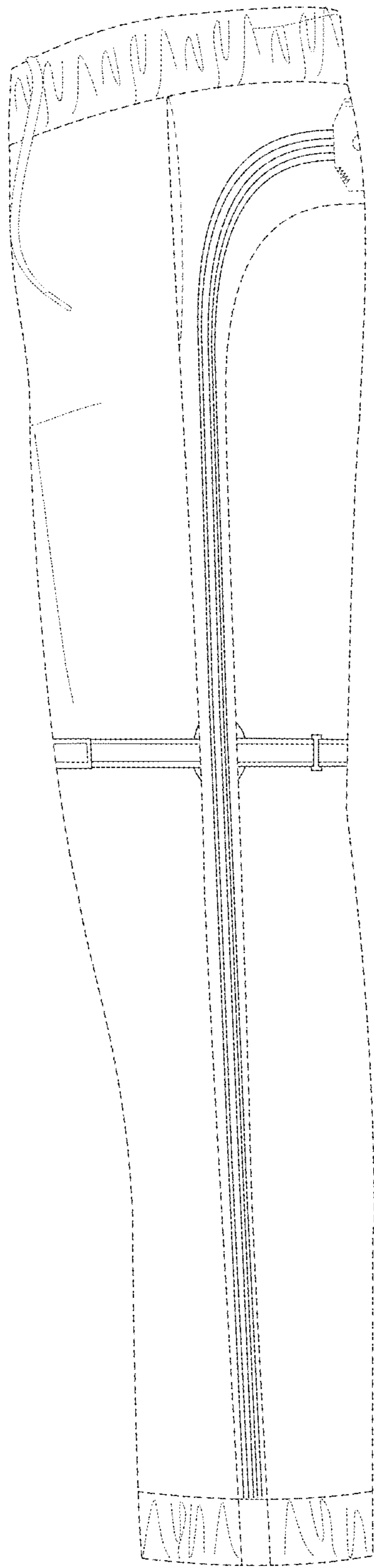


FIG. 4