



US00D817789S

(12) **United States Design Patent** (10) **Patent No.:** **US D817,789 S**
Jameson et al. (45) **Date of Patent:** **** May 15, 2018**

(54) **CONE AND DEBRIS SCREEN FOR A RAIN GAUGE**

(71) Applicant: **DAVIS INSTRUMENTS CORPORATION**, Hayward, CA (US)

(72) Inventors: **Robert Jameson**, Hayward, CA (US);
James Acquistapace, Hayward, CA (US)

(73) Assignee: **Davis Instruments Corporation**, Hayward, CA (US)

(**) Term: **15 Years**

(21) Appl. No.: **29/589,157**

(22) Filed: **Dec. 28, 2016**

(51) **LOC (11) Cl.** **10-04**

(52) **U.S. Cl.**
USPC **D10/53**

(58) **Field of Classification Search**
USPC D10/56, 60
CPC G01W 1/14
See application file for complete search history.

(56) **References Cited**

U.S. PATENT DOCUMENTS

5,245,874 A *	9/1993	Baer	G01W 1/14 73/170.22
D693,702 S *	11/2013	Jones	D10/53
D729,641 S *	5/2015	Anderson	D10/56
D758,895 S *	6/2016	Anderson	D10/56

* cited by examiner

Primary Examiner — Antoine Duval Davis

(74) *Attorney, Agent, or Firm* — Kilpatrick Townsend & Stockton LLP

(57) **CLAIM**

The ornamental design for a cone and debris screen for a rain gauge, as shown and described.

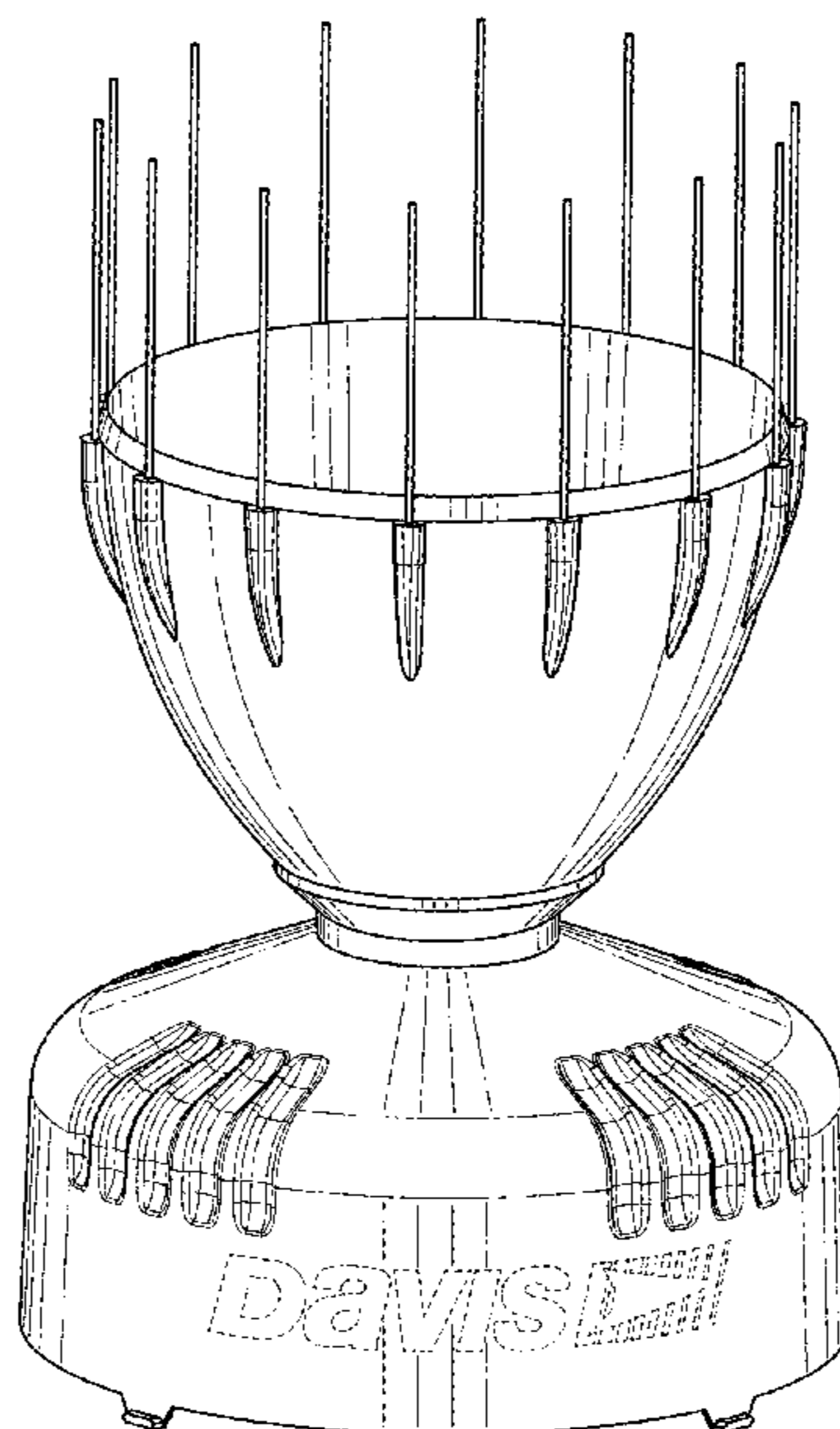
DESCRIPTION

FIG. 1 is a top perspective view of a cone and debris screen for a rain gauge showing our new design; FIG. 2 is a front elevational view thereof; FIG. 3 is a rear elevational view thereof; FIG. 4 is a left side elevational view thereof; FIG. 5 is a right side elevational view thereof; FIG. 6 is a top plan view thereof; FIG. 7 is a bottom plan view thereof; FIG. 8 is a cross section view thereof taken along section 8-8 of FIG. 6; FIG. 9 shows to the section view of FIG. 8, without the debris screen; FIG. 10 is an exploded view of the cone assembly of FIG. 1; FIG. 11 is an exploded view of the debris screen and the cone assembly; FIG. 12 is a perspective view of the debris screen; FIG. 13 is a top plan view thereof; FIG. 14 is a side elevational view thereof; FIG. 15 is another side elevational view thereof; FIG. 16 is a bottom plan view thereof; and, FIG. 17 is an exploded view of the cone assembly and the bird spikes.

The submitted line drawings (FIGS. 1-17) show some additional solid lines on the cone and debris screen for a rain gauge; some of these solid lines are not meant to convey actual solidly drawn lines, such as actual surface markings or ornamentation. As is generally recognized, such solid lines are meant to convey the boundaries for curved surfaces.

The broken lines showing on the drawing disclosure is for illustrative purposes only and forms no part of the claimed design.

1 Claim, 14 Drawing Sheets



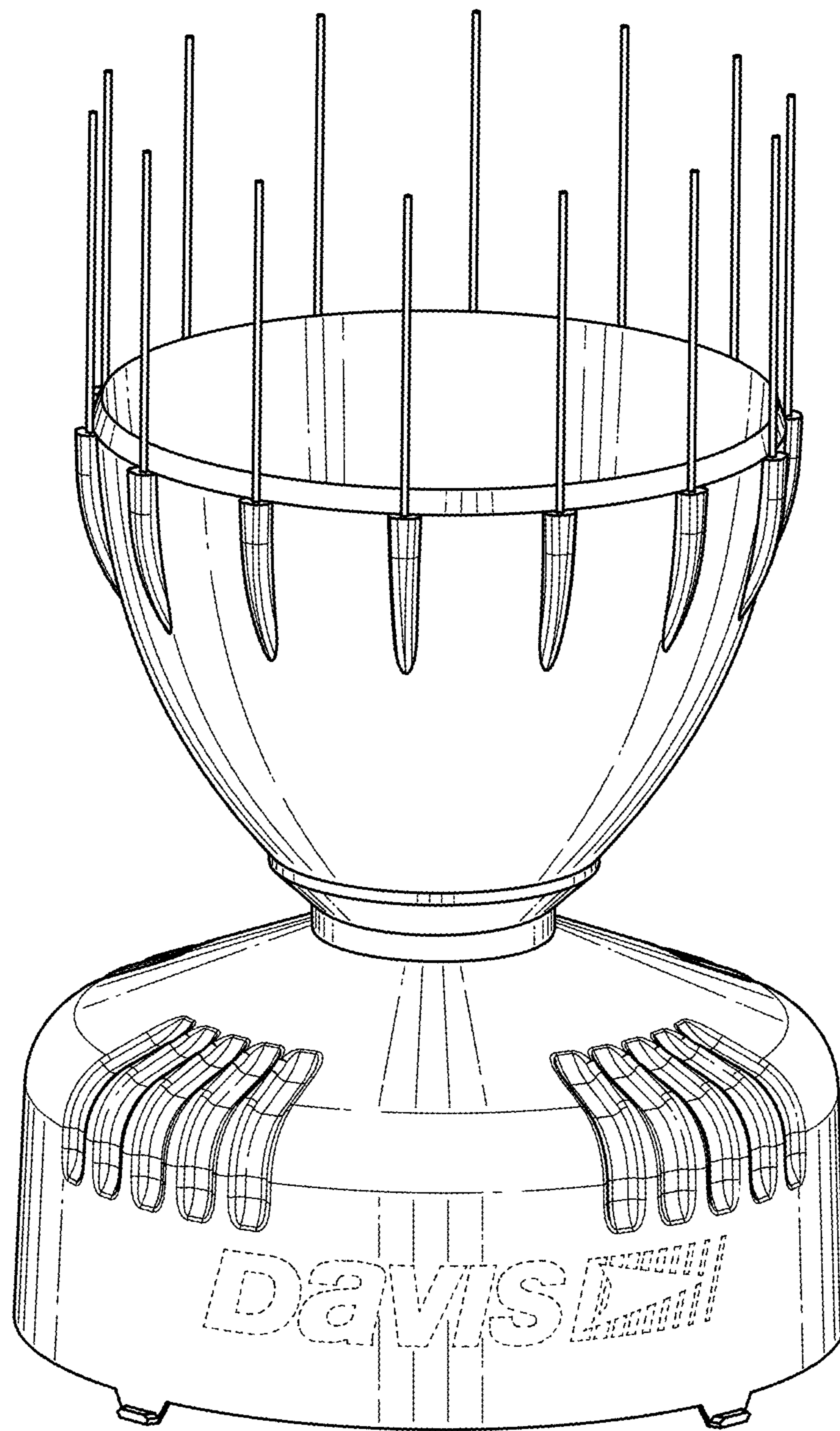


FIG. 1

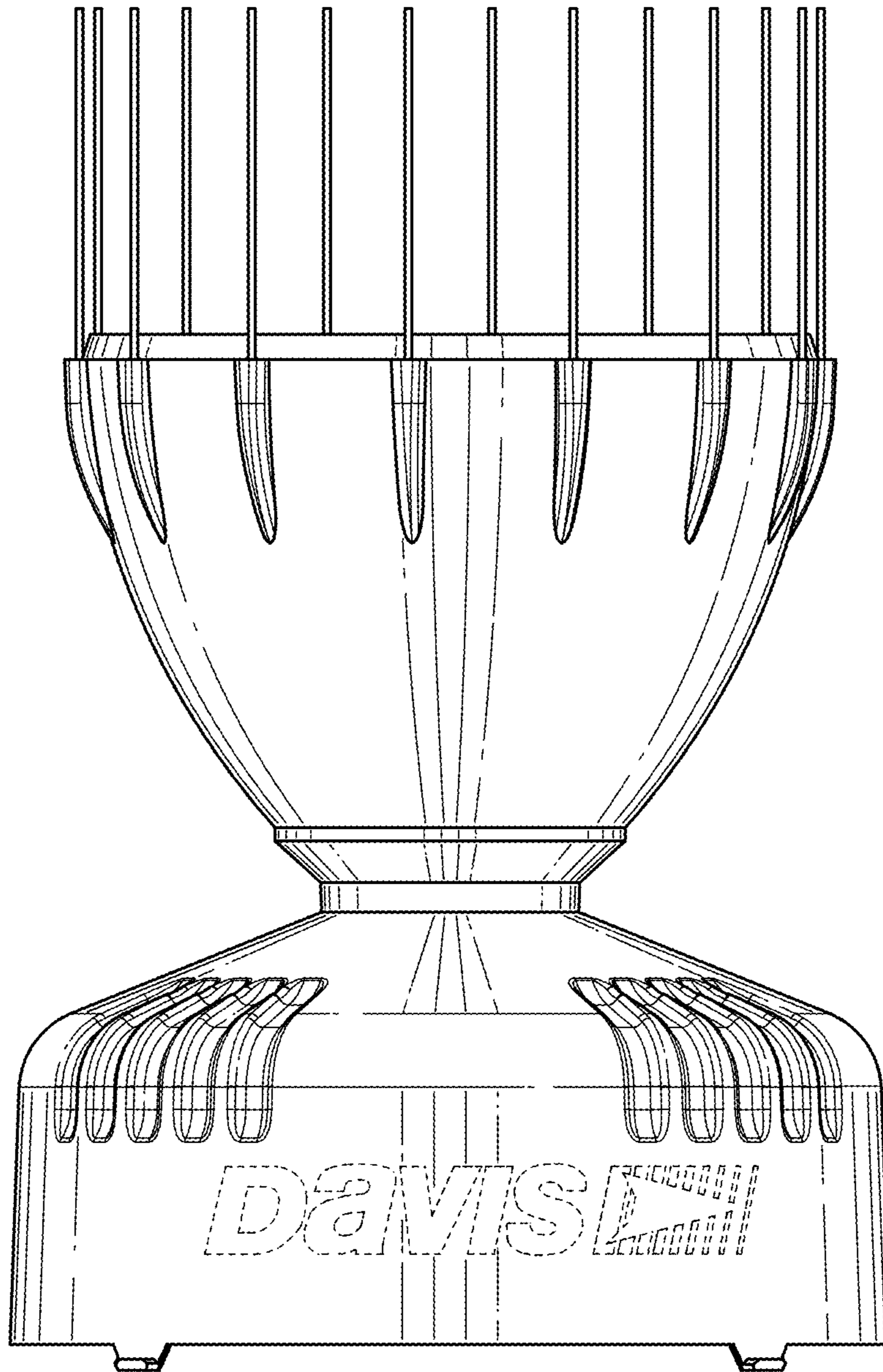


FIG. 2

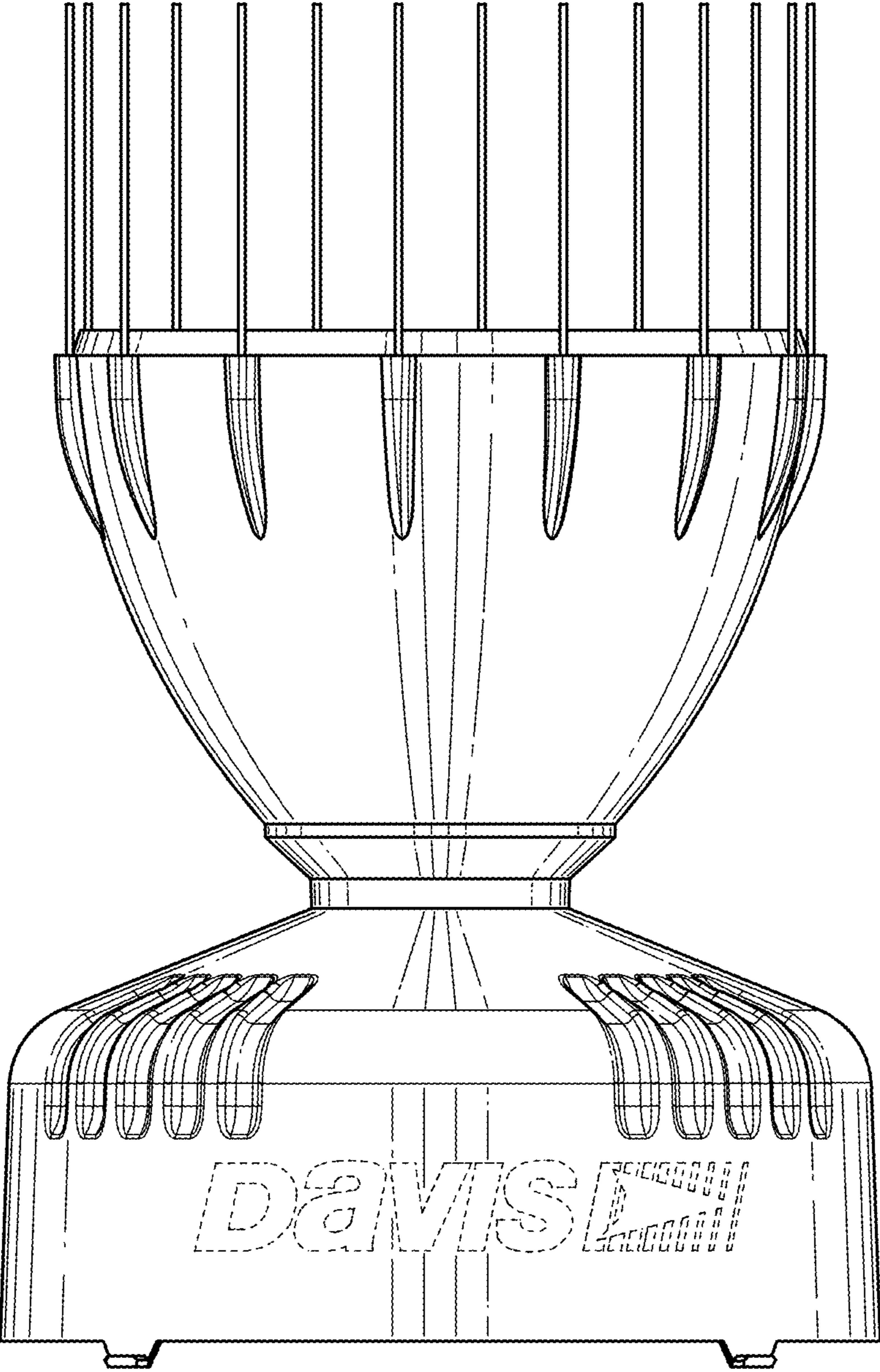


FIG. 3

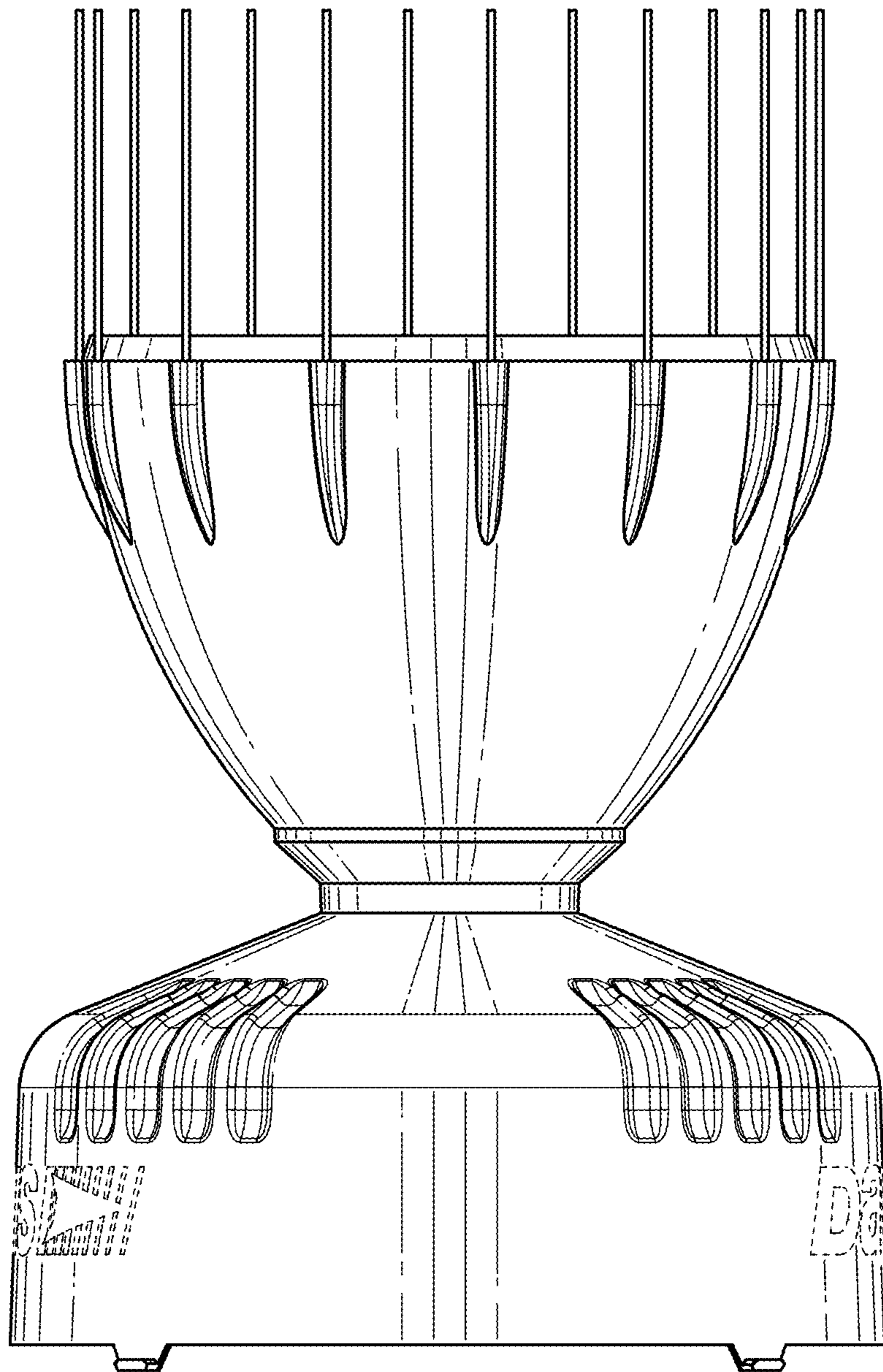


FIG. 4

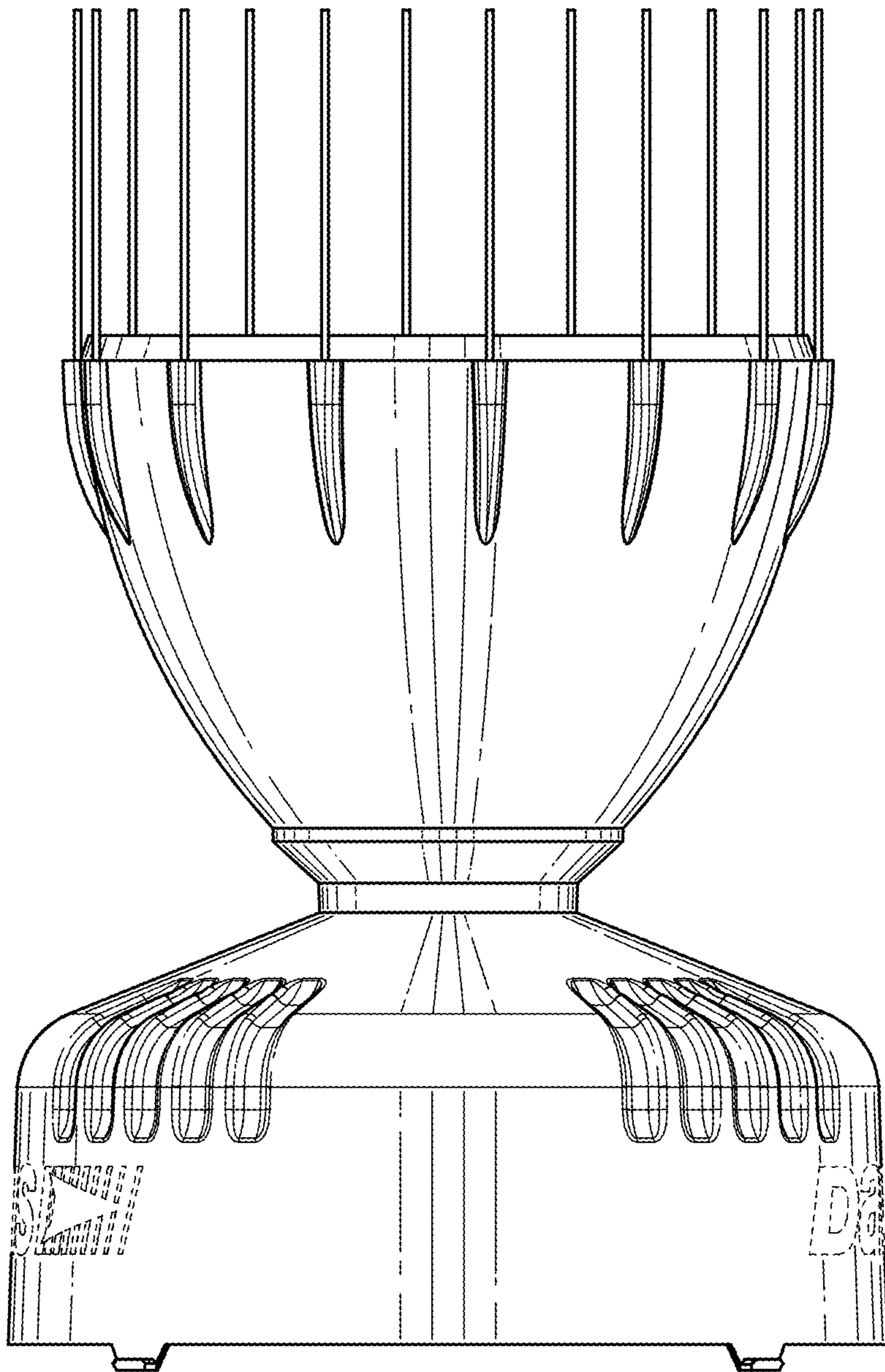


FIG. 5

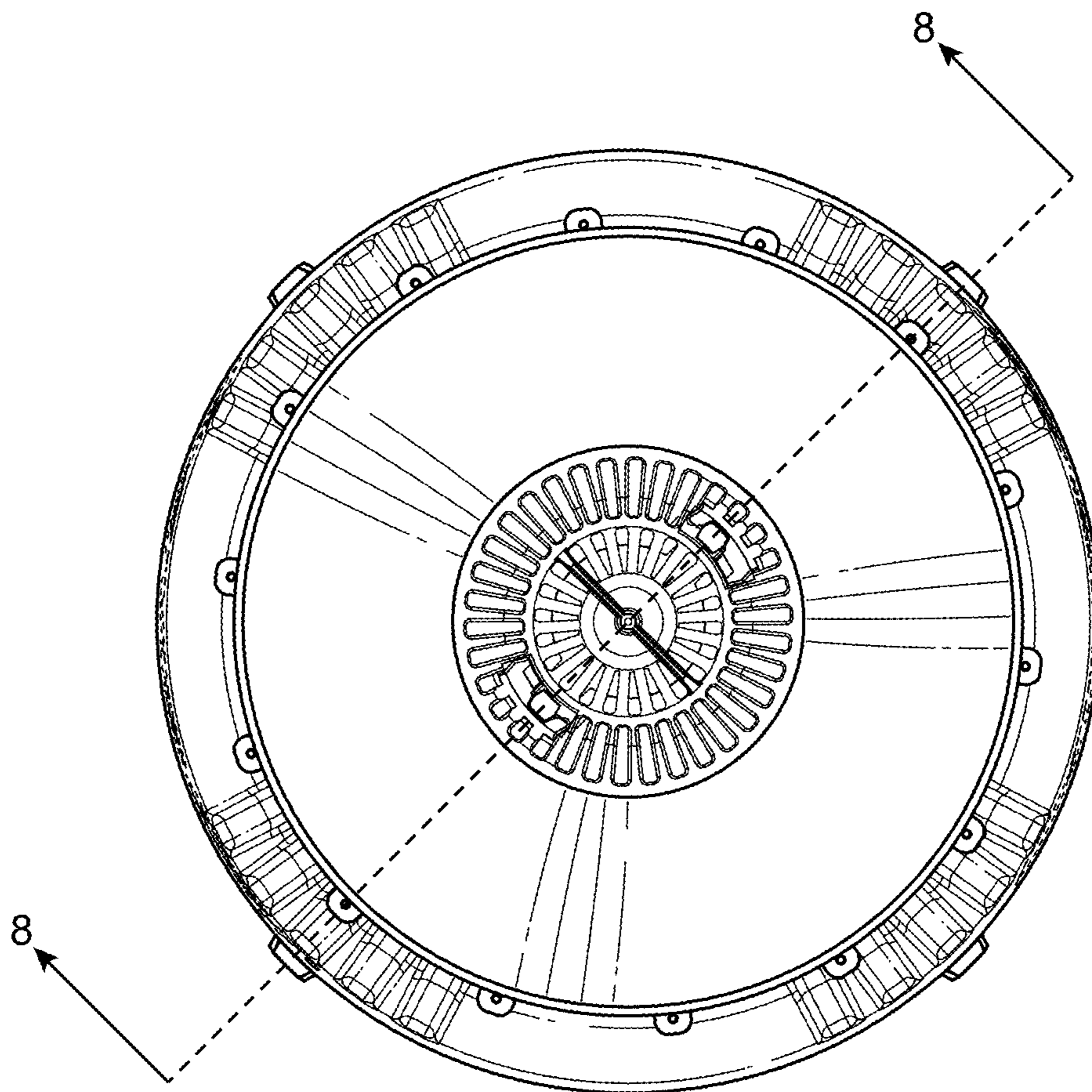


FIG. 6

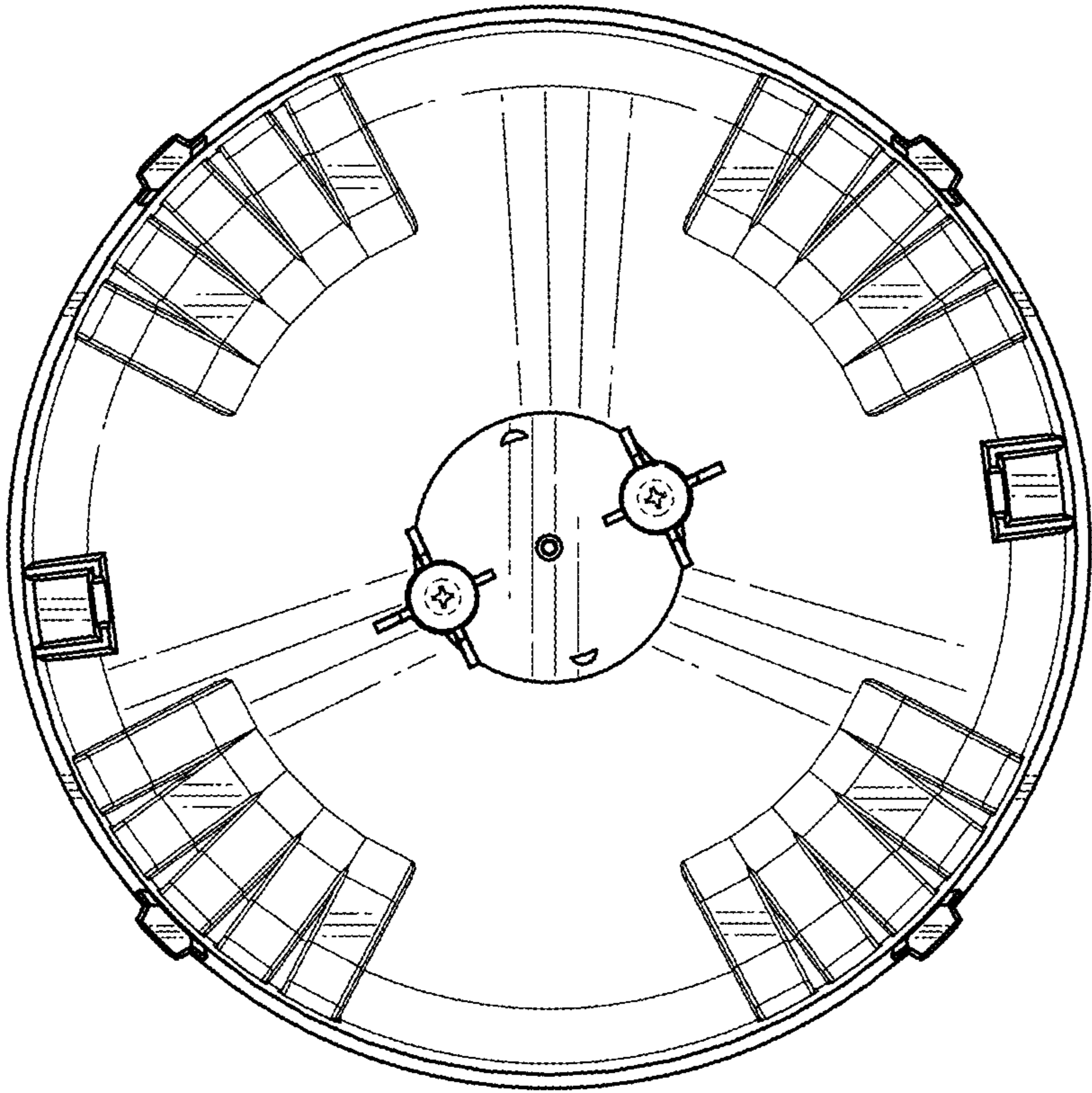


FIG. 7

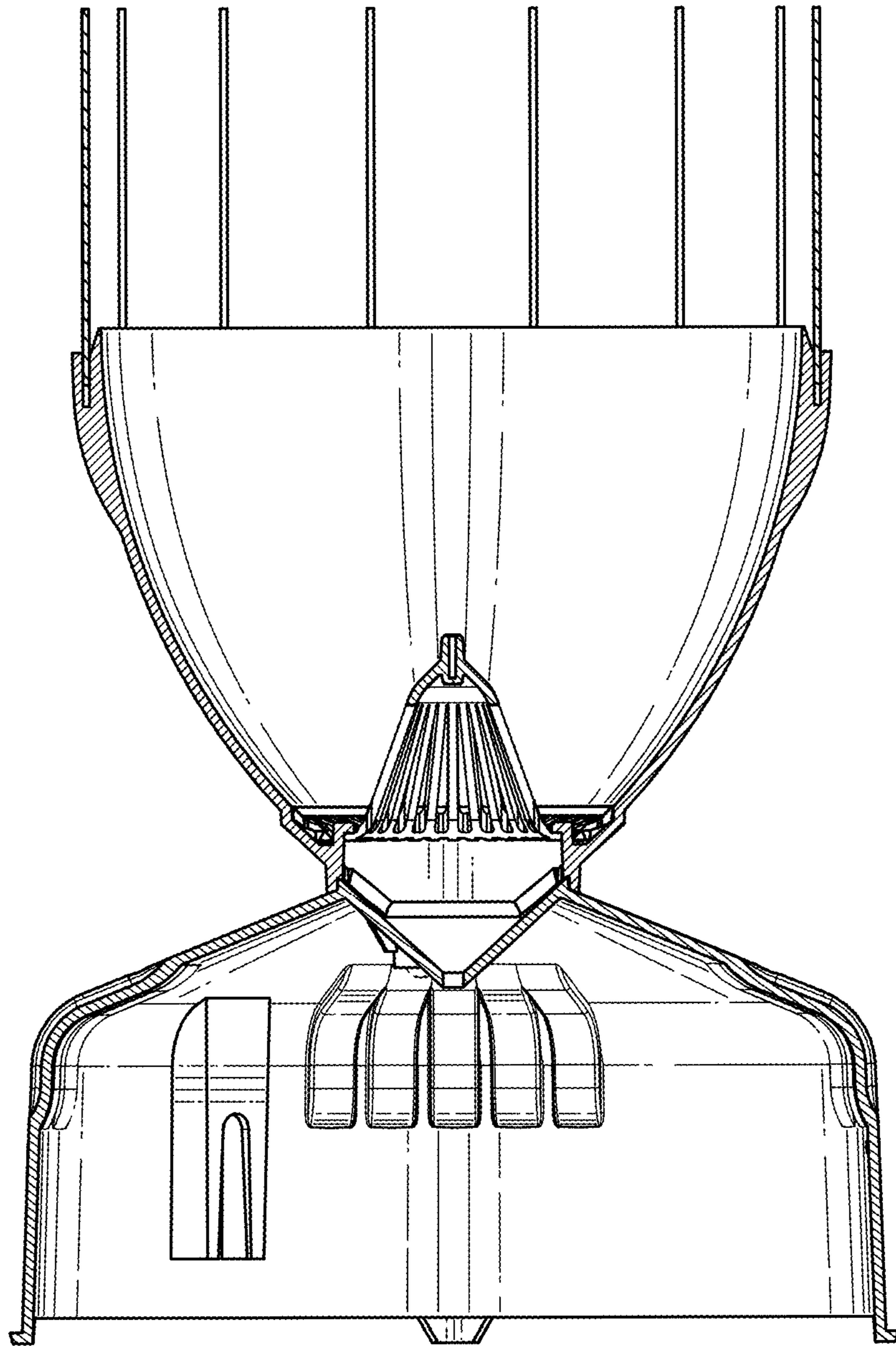


FIG. 8

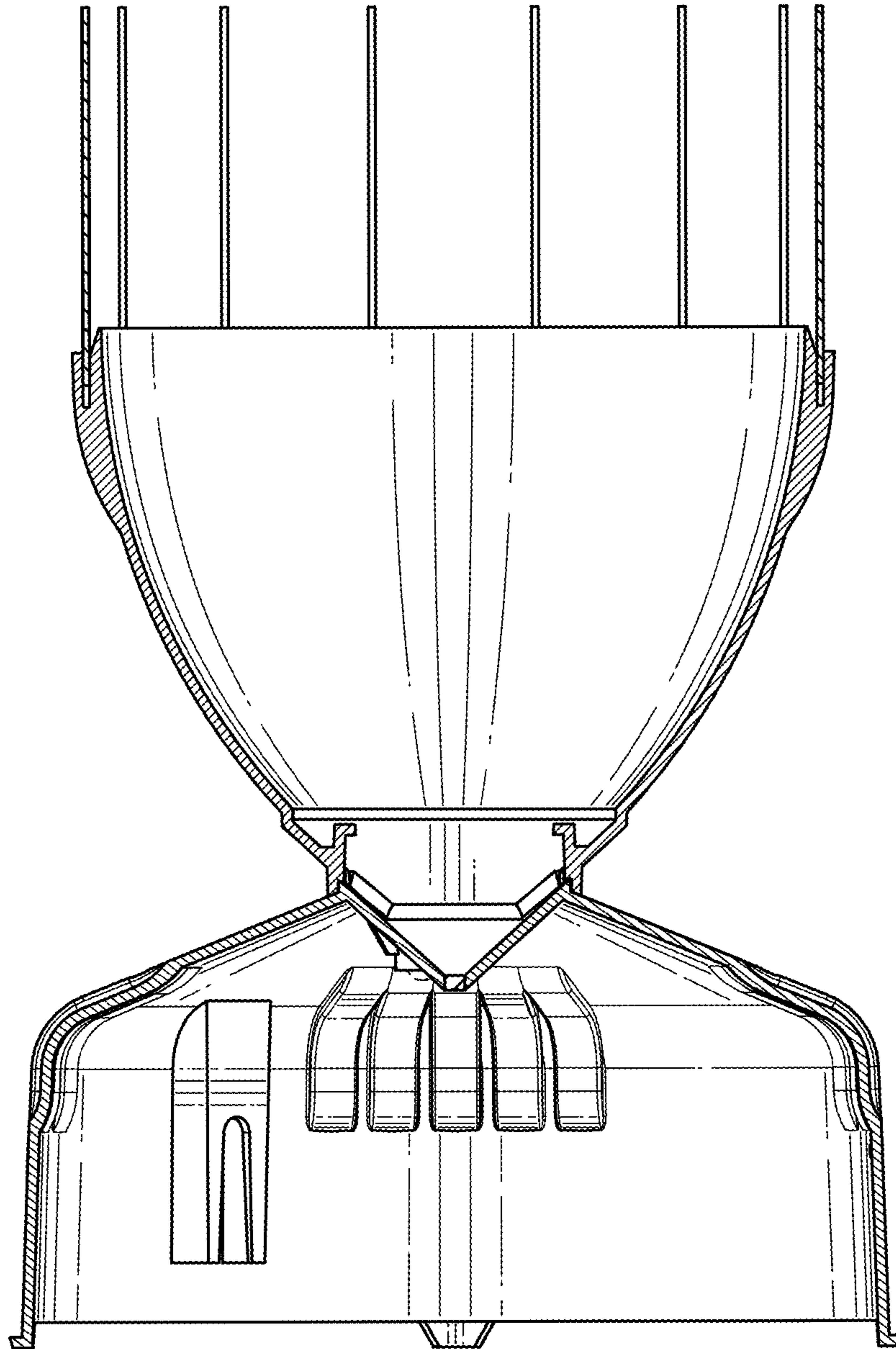


FIG. 9

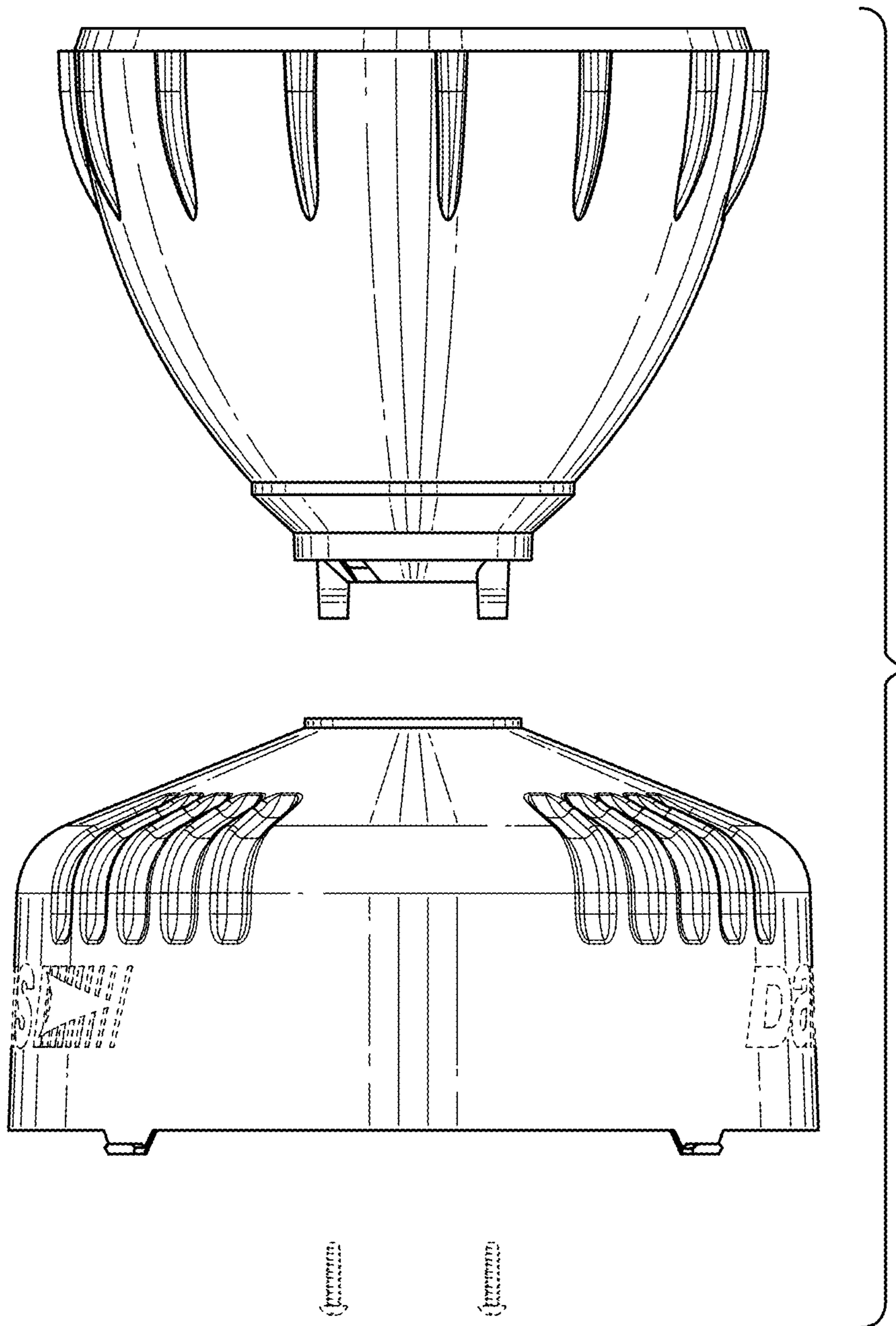


FIG. 10

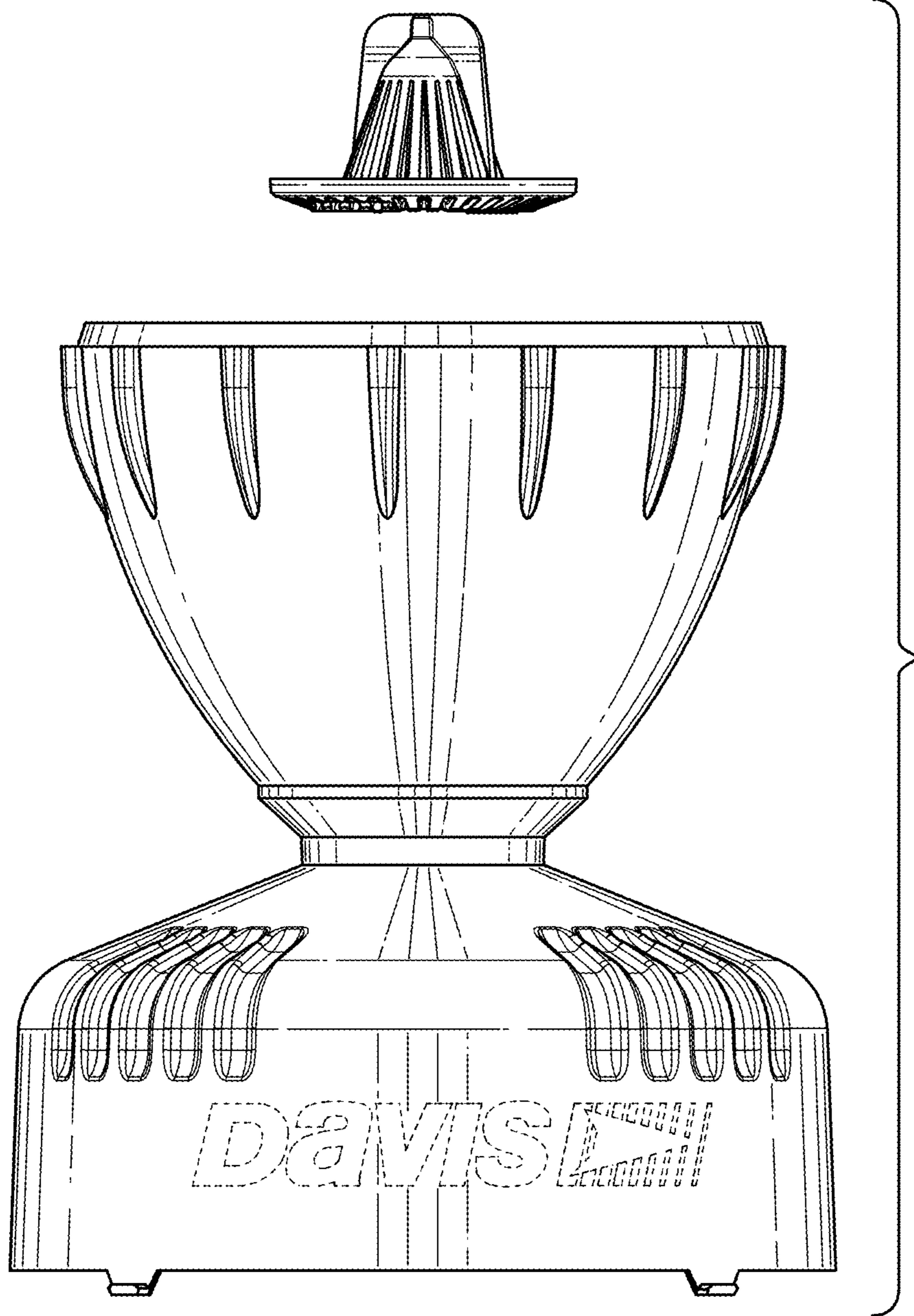


FIG. 11

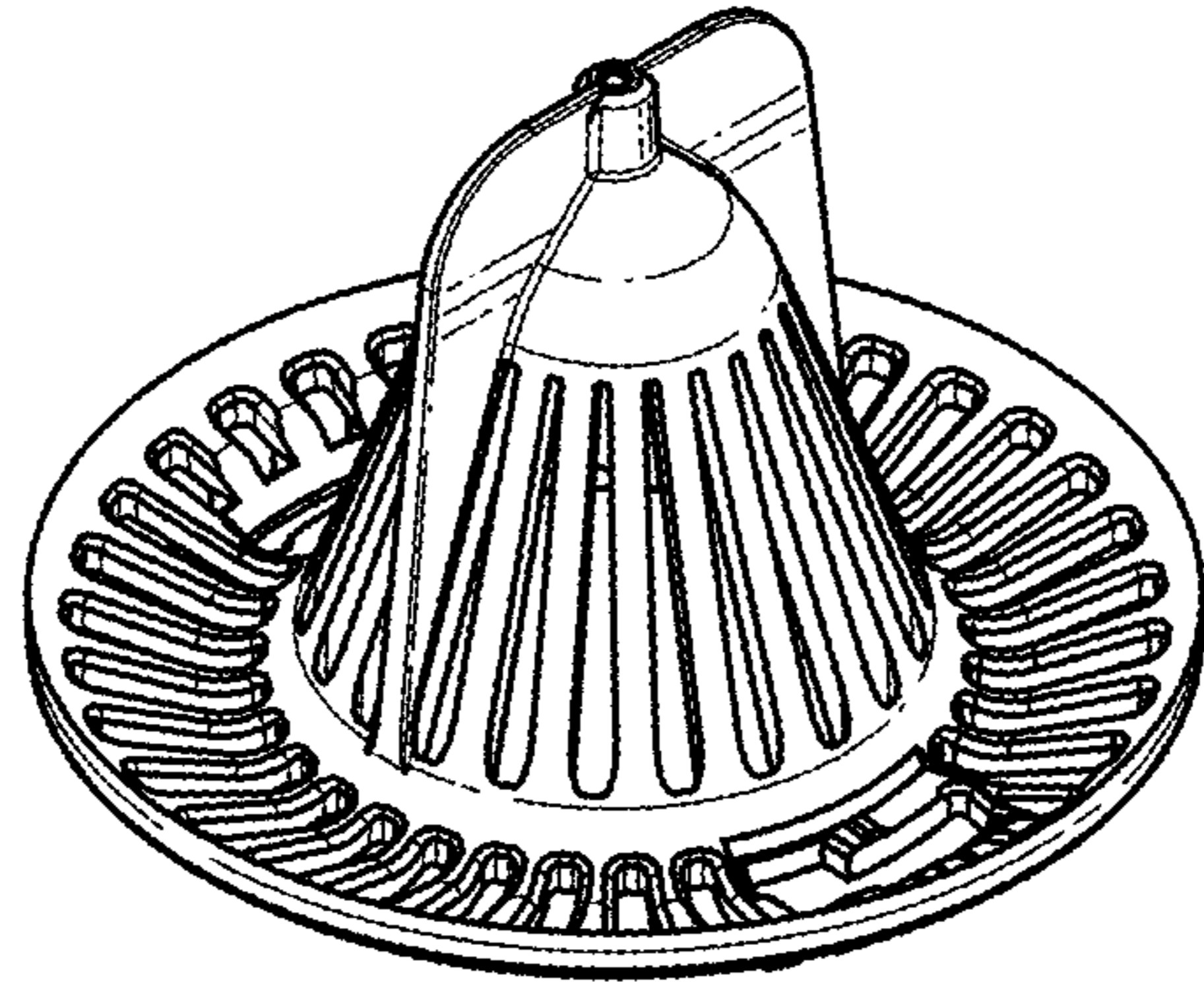


FIG. 12

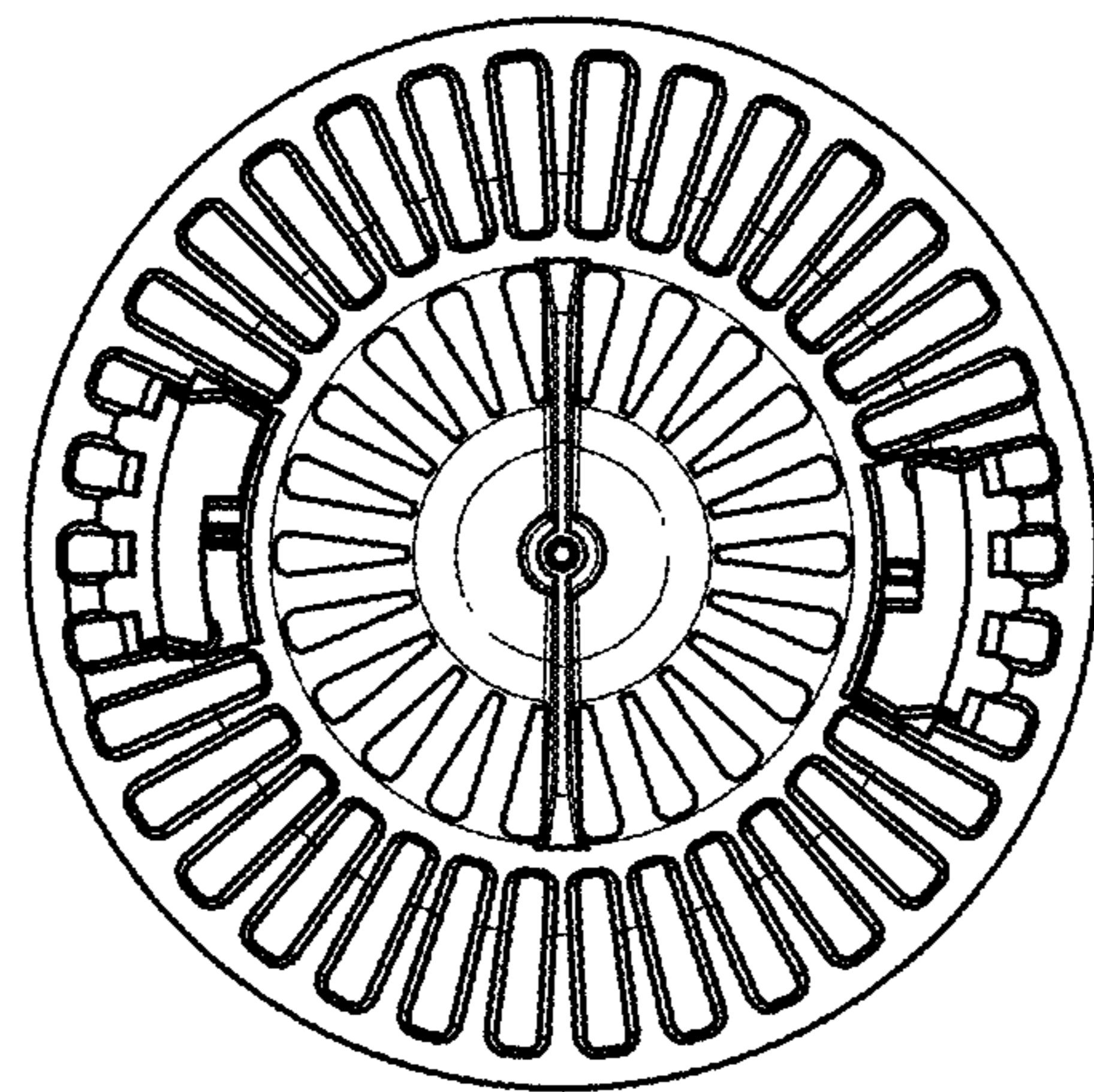


FIG. 13

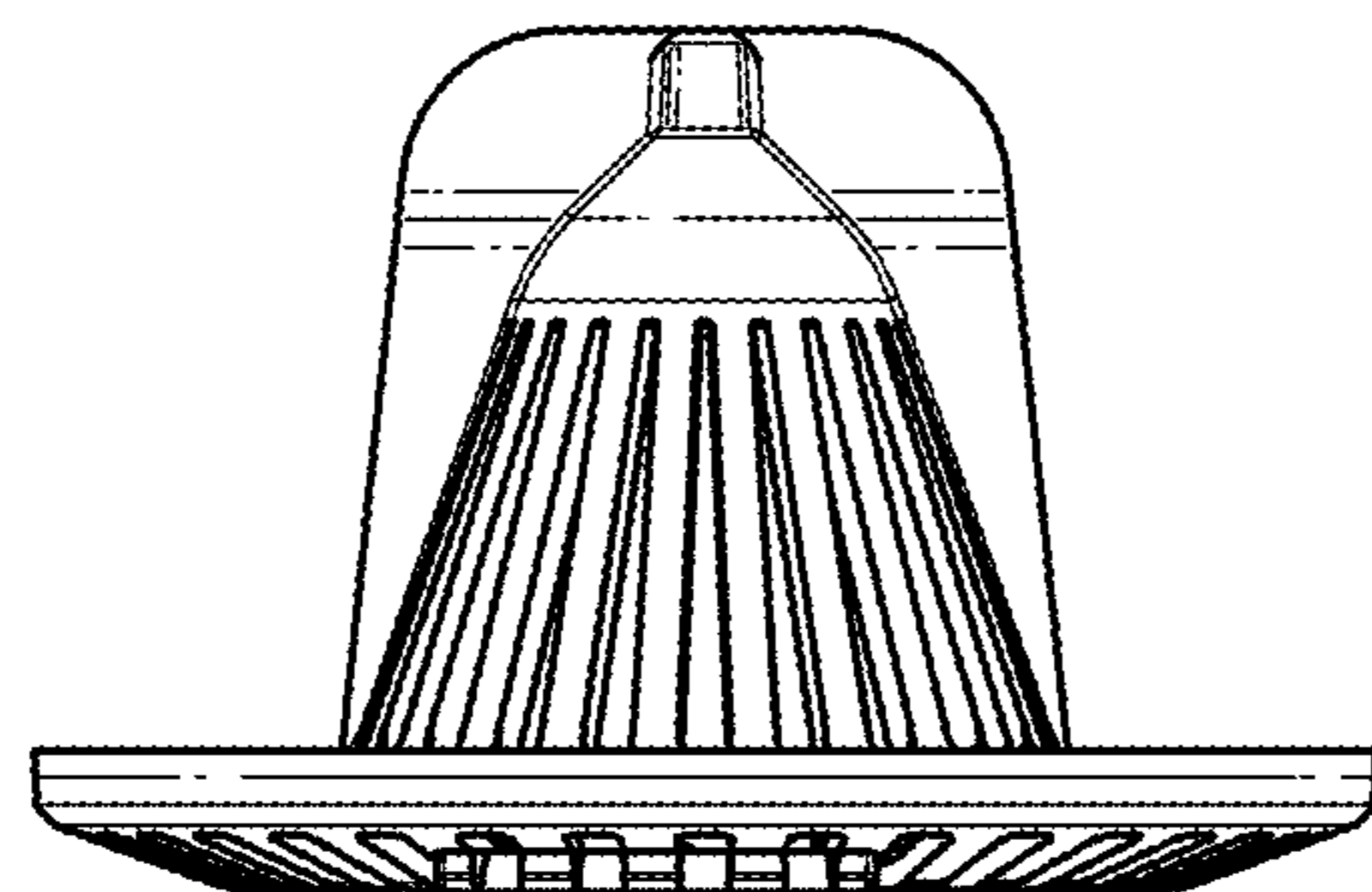


FIG. 14

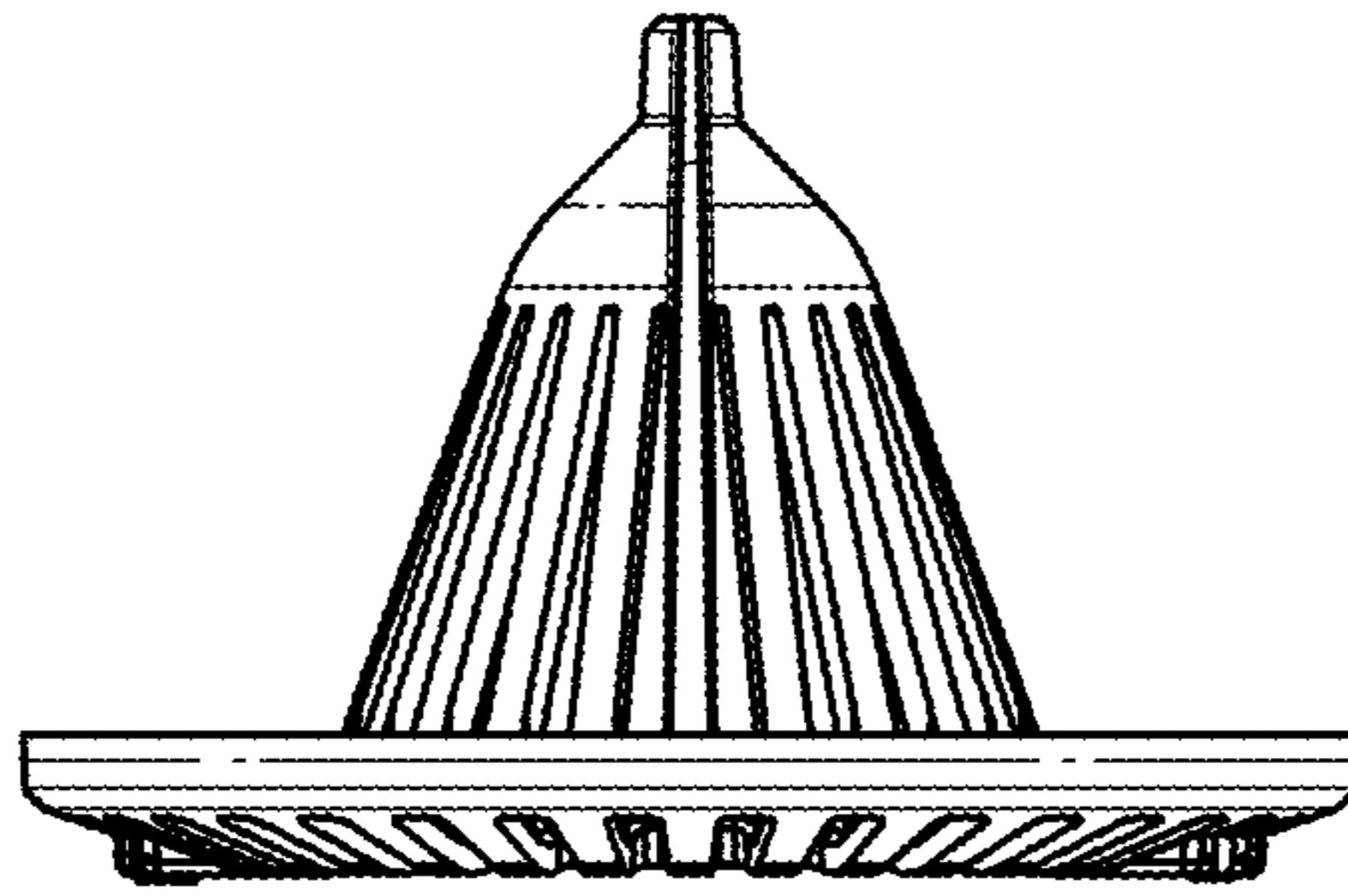


FIG. 15

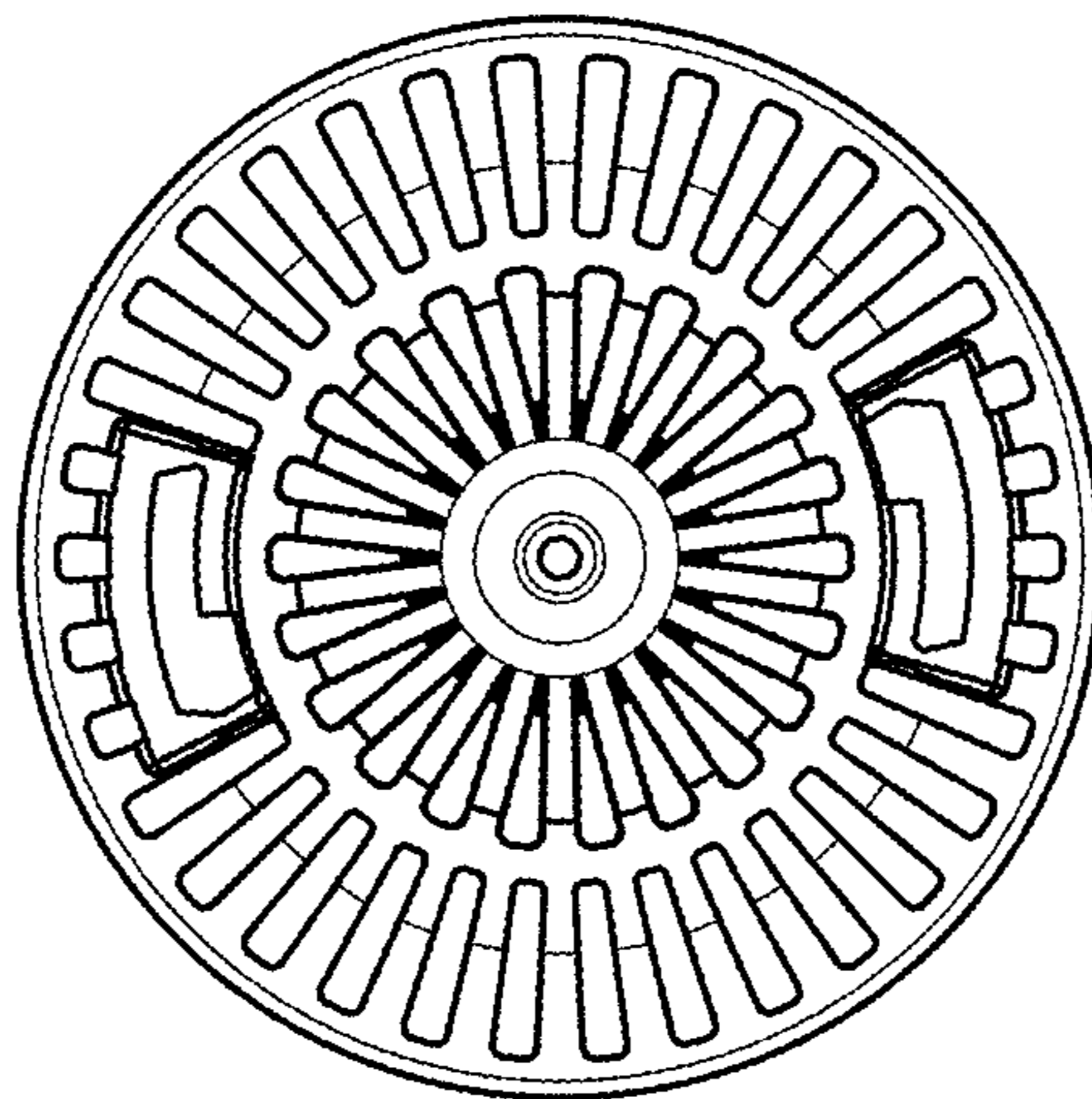


FIG. 16

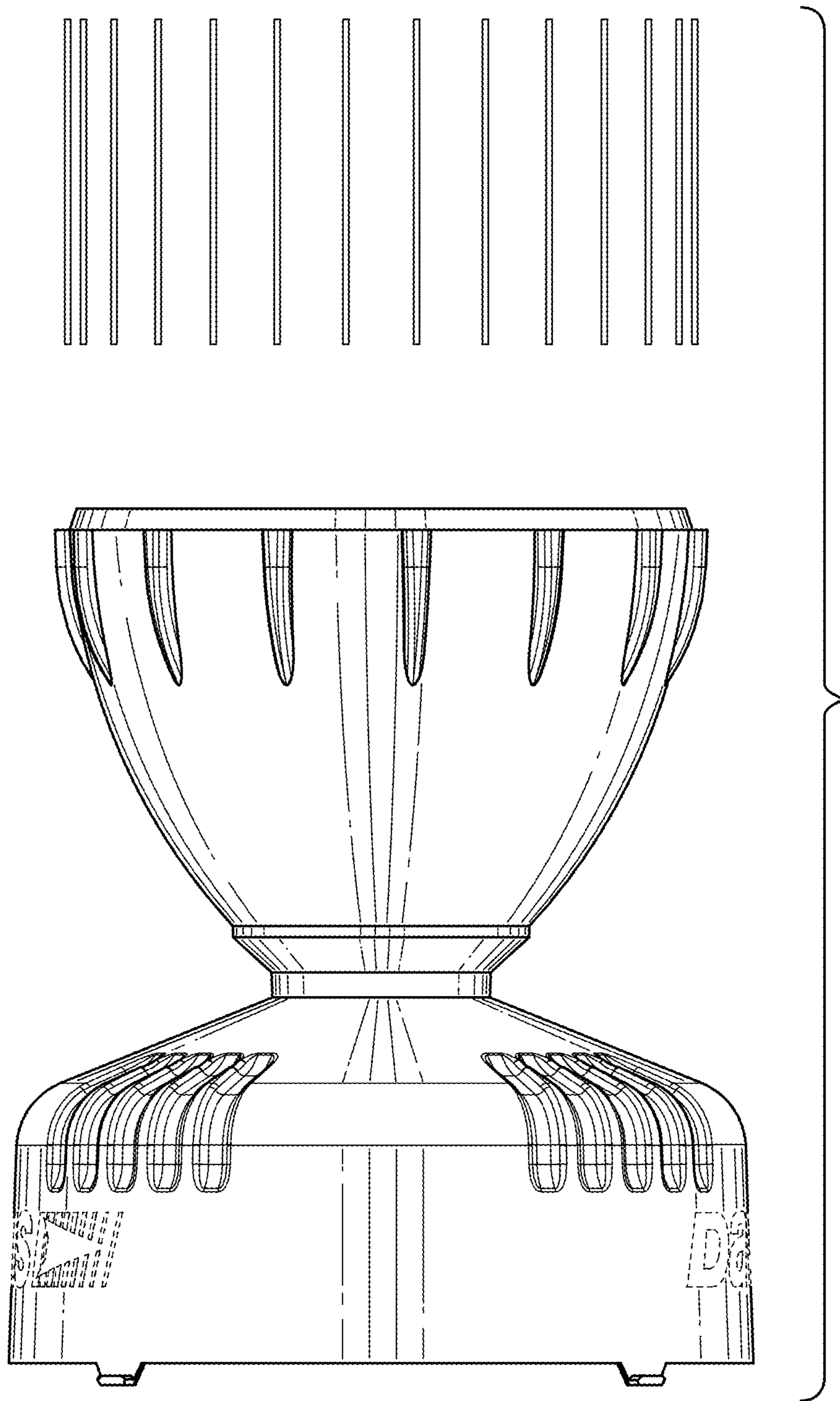


FIG. 17