



US00D817787S

(12) **United States Design Patent** (10) **Patent No.:** **US D817,787 S**  
**Tinius** (45) **Date of Patent:** **\*\* May 15, 2018**

(54) **CHECKING DEVICES, MEASURING INSTRUMENTS, APPARATUS AND DEVICES**

(71) Applicant: **Binder GmbH**, Tuttlingen (DE)

(72) Inventor: **Michael Tinius**, Elchingen (DE)

(73) Assignee: **Binder GmbH**, Tuttlingen (DE)

(\*\*) Term: **15 Years**

(21) Appl. No.: **29/584,826**

(22) Filed: **Nov. 17, 2016**

(30) **Foreign Application Priority Data**

Jun. 1, 2016 (EM) ..... 003165315-0001

(51) **LOC (11) Cl.** ..... **10-04**

(52) **U.S. Cl.**  
USPC ..... **D10/50; D10/64; D10/65; D13/162; D18/2**

(58) **Field of Classification Search**

USPC ..... D10/49, 50, 64, 65; D13/123, 133, 152, D13/154, 162, 162.1, 177, 184; D18/2  
CPC ..... B43L 7/02; B43L 7/027; B43L 7/0275; B43L 7/033; B43L 7/10; B43L 7/12; B43L 7/125; B43L 7/14; B43L 7/023; G01B 3/566

See application file for complete search history.

(56) **References Cited**

**U.S. PATENT DOCUMENTS**

D651,685 S 1/2012 Honzelka  
D667,804 S 9/2012 Binder et al.  
D717,675 S 11/2014 Lin  
D797,581 S \* 9/2017 Tinius ..... D10/64  
D798,169 S \* 9/2017 Tinius ..... D10/64

**FOREIGN PATENT DOCUMENTS**

CN 301308150 8/2010  
CN 301334695 9/2010  
CN 301335836 9/2010  
CN 301335837 9/2010  
CN 303690088 6/2016  
EM 001058721-0001 12/2008  
EM 001108625-0001 3/2009  
EM 001108625-0002 3/2009

(Continued)

**OTHER PUBLICATIONS**

Binder, "Binder Scientific, Product Highlights," 2012, document of 8 pages.

(Continued)

*Primary Examiner* — Antoine Duval Davis

(74) *Attorney, Agent, or Firm* — Akerman LLP; Peter A. Chiabotti

(57) **CLAIM**

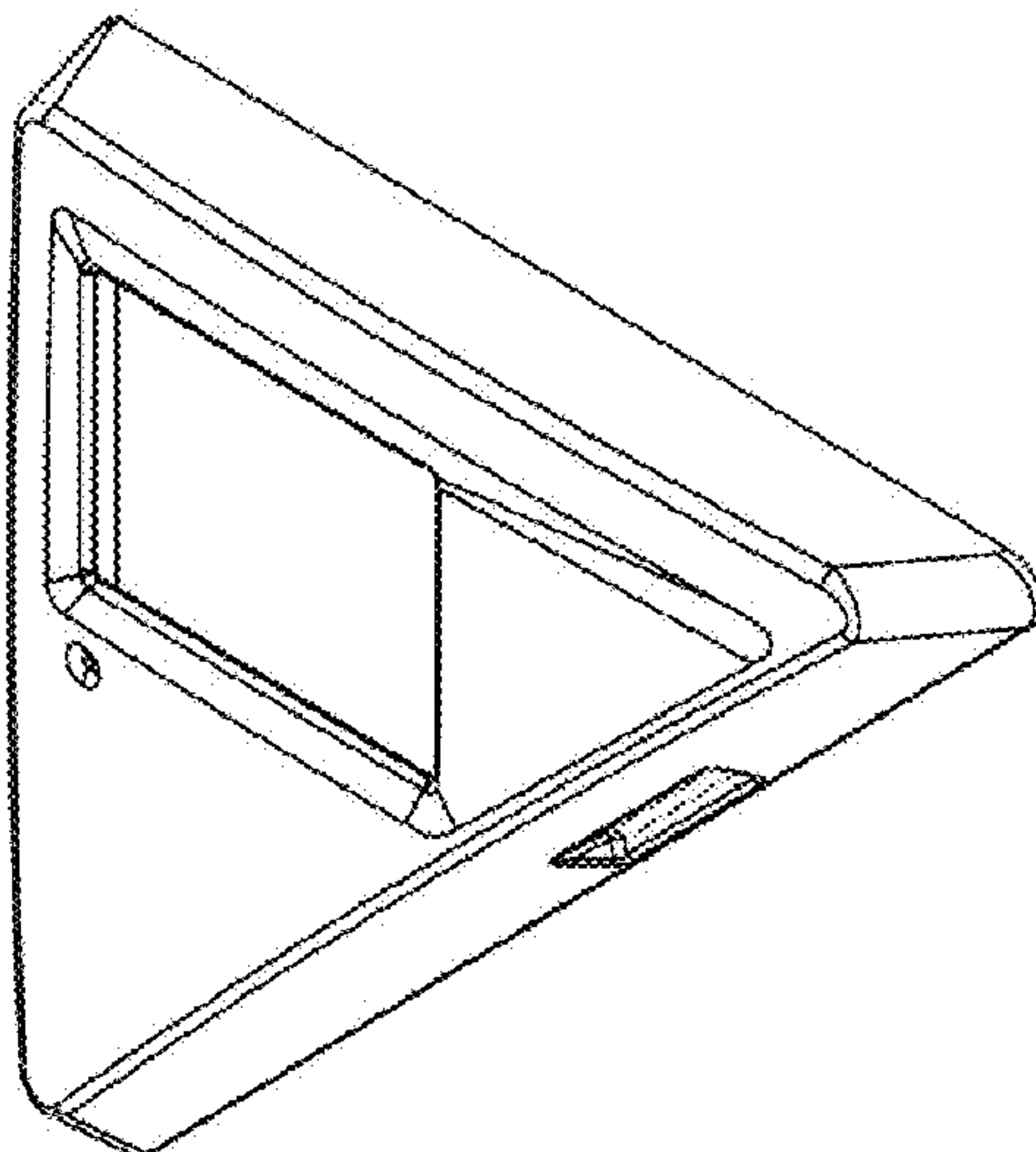
The ornamental design for checking devices, measuring instruments, apparatus and devices, as shown and described.

**DESCRIPTION**

FIG. 1 is a perspective view of the ornamental design; FIG. 2 is a front view of the ornamental design of FIG. 1; FIG. 3 is a rear view of the ornamental design of FIG. 1; FIG. 4 is a top view of the ornamental design of FIG. 1; FIG. 5 is a bottom view of the ornamental design of FIG. 1; FIG. 6 is a right side elevation view of the ornamental design of FIG. 1; FIG. 7 is a perspective view of the right side of the ornamental design of FIG. 1; and, FIG. 8 is a left side elevation view of the ornamental design of FIG. 1.

The portions shown in broken lines form no part of the claimed design.

**1 Claim, 8 Drawing Sheets**



(56)

**References Cited**

FOREIGN PATENT DOCUMENTS

|    |                |        |
|----|----------------|--------|
| EM | 01507492-0001  | 5/2009 |
| EM | 001899816-0001 | 8/2011 |
| EM | 02714683-0001  | 6/2015 |
| EM | 02714683-0002  | 6/2015 |
| IN | 222367         | 4/2009 |
| IN | 223937         | 7/2009 |
| IN | 224247         | 8/2009 |
| IN | 224248         | 8/2009 |
| JP | 1383200        | 3/2010 |
| JP | 1411257        | 4/2011 |
| RU | 74735          | 5/2010 |
| RU | 75107          | 6/2010 |
| RU | 77227          | 1/2011 |

OTHER PUBLICATIONS

Binder, "Binder Scientific, Product Catalog," 2011, document of 148 pages.

Binder, "The Right Oven for Every Application" 2012, product flyer, document of 2 pages.

Binder, "Perfect Climes, Make Binder Your Ovens and Incubators Destination," advertisement, document of 1 page.

EUIPO, "Abstract of European Union Trademark Application No. 007597149, filed Feb. 12, 2009," document of 5 pages.

EUIPO, "Abstract of European Union Trademark Application No. 007597263, filed Feb. 12, 2009," document of 5 pages.

EUIPO, "Abstract of European Union Trademark Application No. 008289407, filed May 8, 2009," document of 4 pages.

USPTO, "TESS Status Report for U.S. Trademark Registration No. 3,979,936, registered Jun. 21, 2011," document of 2 pages.

USPTO, "TESS Status Report for U.S. Trademark Registration No. 3,895,928, registered Dec. 28, 2010," document of 2 pages.

USPTO, "TESS Status Report for U.S. Trademark Registration No. 3,979,937, registered Jun. 21, 2011," document of 2 pages.

USPTO, TESS Status Report for of U.S. Trademark Registration No. 4,481,324, registered Feb. 11, 2017, document of 2 pages.

USPTO, TESS Status Report for of U.S. Trademark Registration No. 2,606,702, registered Aug. 13, 2002, document of 2 pages.

\* cited by examiner

Figure 1

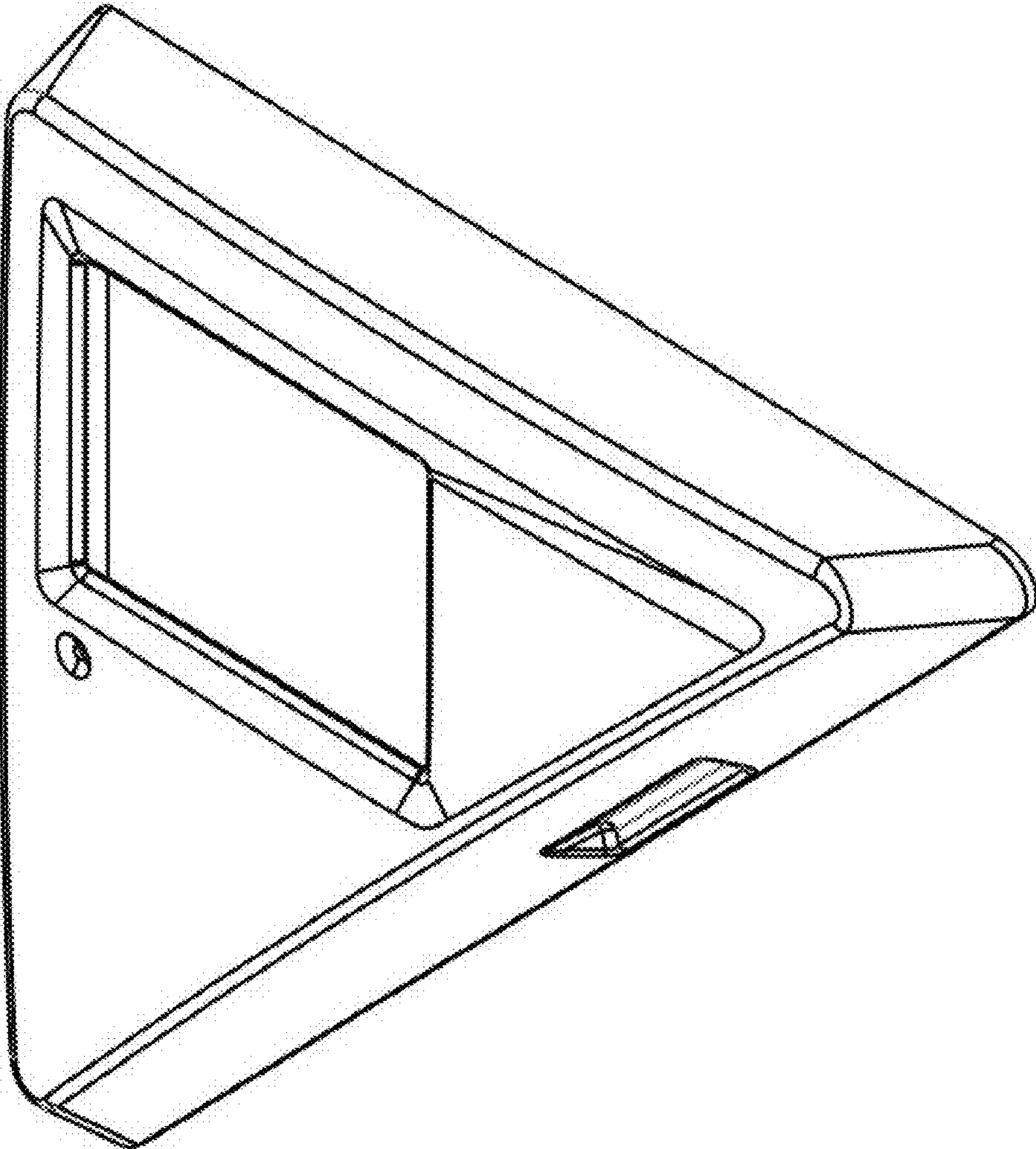


Figure 2

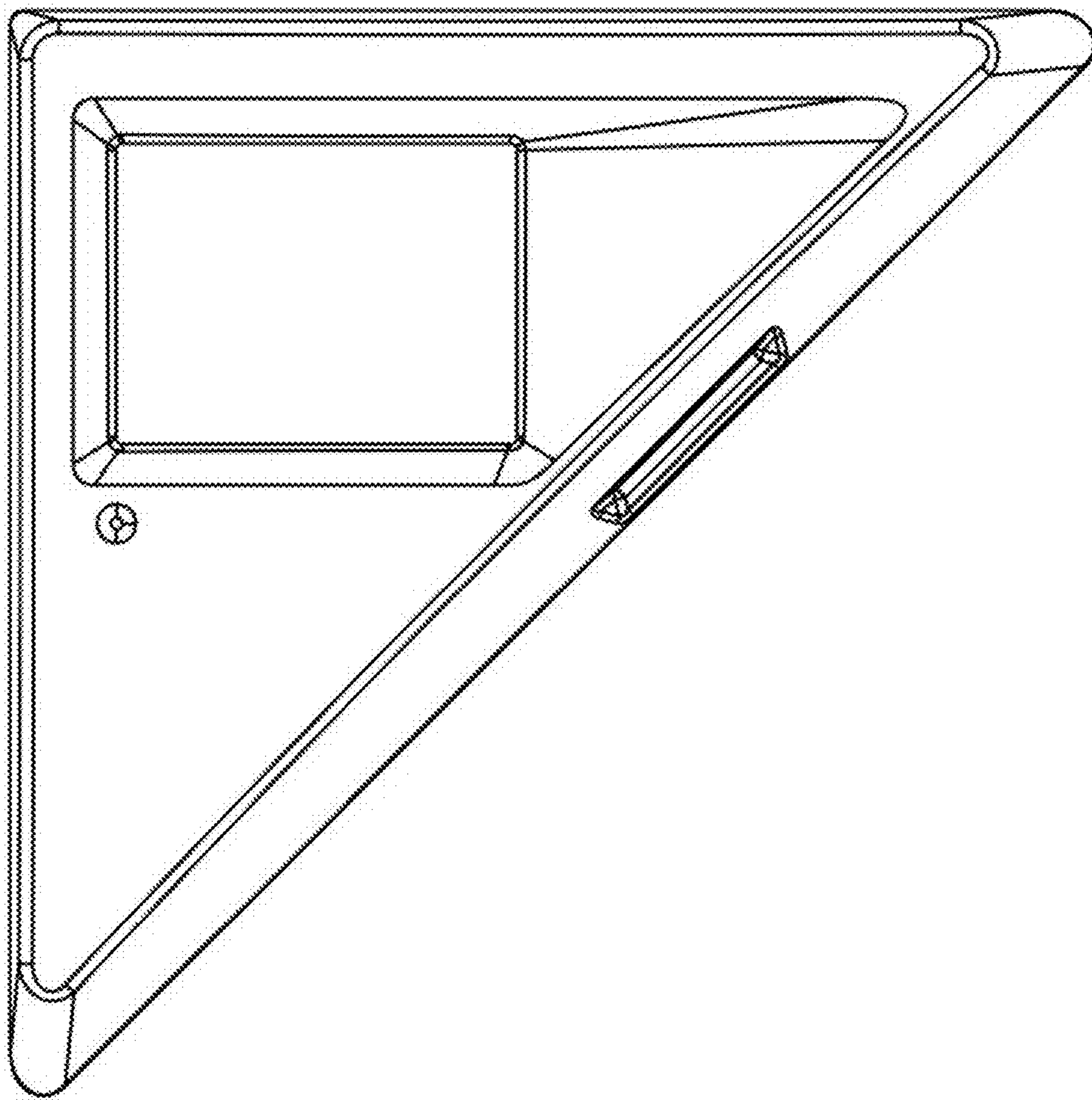




Figure 3

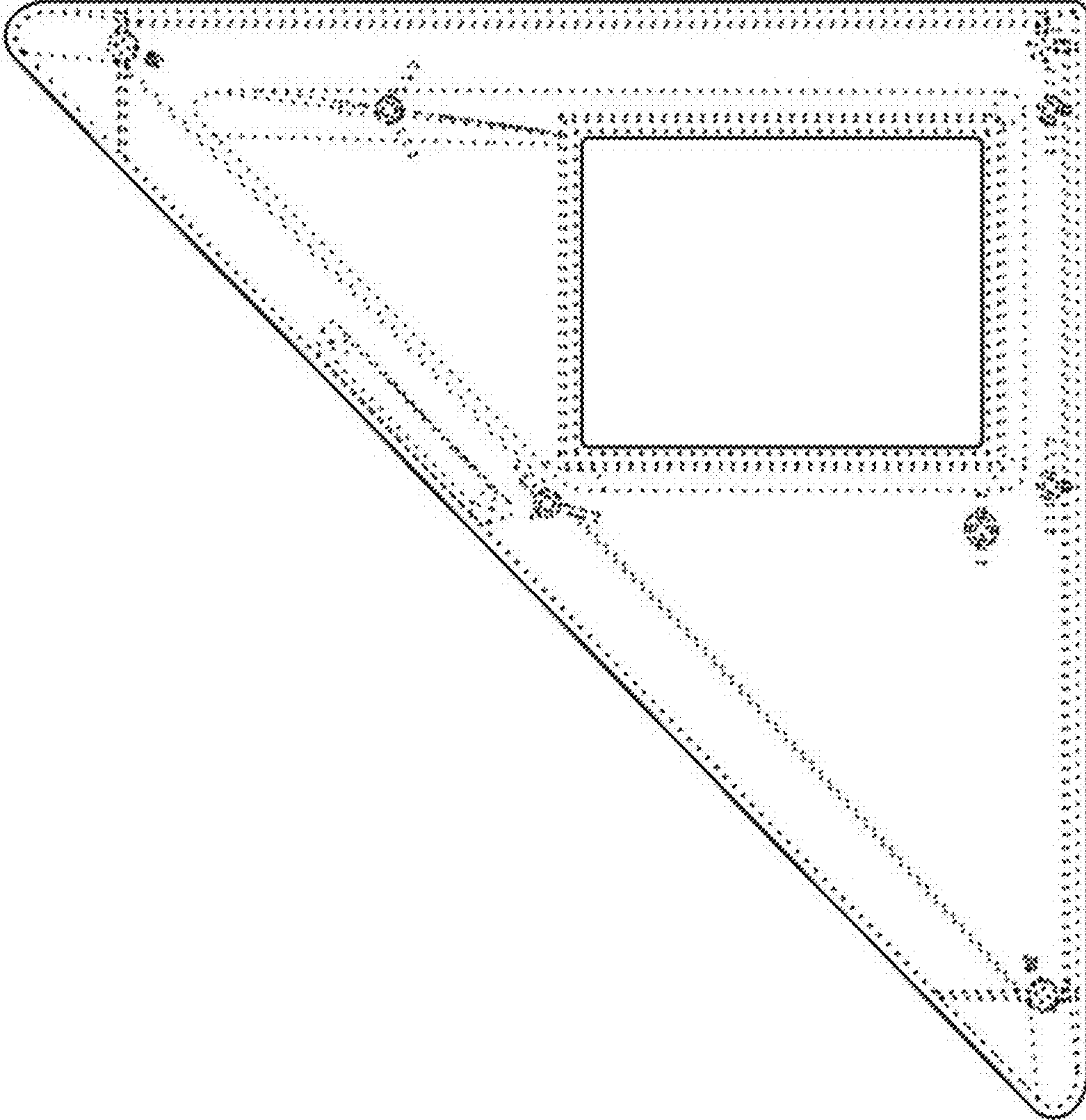


Figure 4



Figure 5

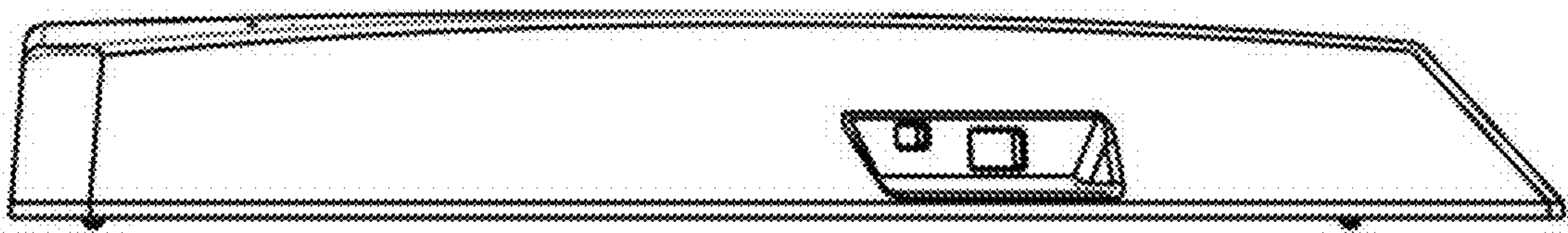


Figure 6





Figure 7

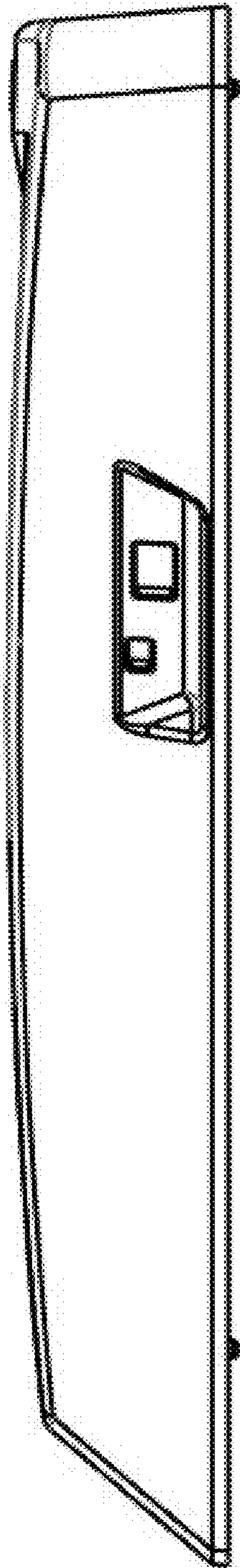


Figure 8

