



US00D817786S

(12) **United States Design Patent** (10) **Patent No.:** **US D817,786 S**
Emmenegger (45) **Date of Patent:** **** May 15, 2018**

(54) **WATCH**

17/0058; G04C 17/0066; G04C 17/0075;
G04C 17/0083; G04C 17/0091; G04C
19/00; G04C 19/04

(71) Applicant: **Audemars Piguet (Marketing) SA**, Le
Brassus (CH)

See application file for complete search history.

(72) Inventor: **Claude Emmenegger**, La
Chaux-de-Fonds (CH)

(56) **References Cited**

(73) Assignee: **Audemars Piguet (Marketing) SA**
(CH)

U.S. PATENT DOCUMENTS

(**) Term: **15 Years**

D73,606 S *	10/1927	Gruen	D10/37
D77,697 S *	2/1929	Leibowitz	D10/37
D240,026 S *	5/1976	Szalek	D10/126
D329,020 S *	9/1992	Iwata	D10/30
D479,135 S *	9/2003	Emmenegger	D10/30
D504,624 S *	5/2005	Bodino	D10/39
7,307,922 B2 *	12/2007	Hiraya	G04C 10/00 368/140
D573,486 S *	7/2008	Sanz	D10/38

(21) Appl. No.: **29/595,763**

(22) Filed: **Mar. 2, 2017**

(30) **Foreign Application Priority Data**

Oct. 18, 2016 (EM) 003422880

(51) **LOC (11) Cl.** **10-02**

(52) **U.S. Cl.**
USPC **D10/39**

(58) **Field of Classification Search**
USPC D10/3, 14, 15, 41, 30-31, 37-39,
D10/122-128, 131; D14/488-490, 344

CPC G04B 19/00; G04B 19/025; G04B 19/04;
G04B 19/046; G04B 19/048; G04B
19/06; G04B 19/08; G04B 19/085; G04B
19/087; G04B 19/10; G04B 19/103;
G04B 19/106; G04B 19/11; G04B 19/16;
G04B 19/166; G04B 19/18; G04B 19/22;
G04B 19/223; G04B 19/24; G04B 19/30;
G04B 37/00; G04B 37/0008; G04B
37/02; G04B 37/04; G04B 37/12; G04B
45/0069; G04B 45/0076; G04F 7/08;
G04F 7/0804; G04F 7/0842; G04F
7/0857; G04F 7/0861; G04F 7/0876;
G04C 17/00; G04C 17/0008; G04C
17/0016; G04C 17/0025; G04C 17/0033;
G04C 17/0041; G04C 17/005; G04C

Primary Examiner — Sandra S Snapp

Assistant Examiner — Katherine Glennon

(74) *Attorney, Agent, or Firm* — Galbreath Law Offices,
P.C.; John A. Galbreath

(57) **CLAIM**

The ornamental design for a watch, as shown and described.

DESCRIPTION

The patent or application file contains a least one drawing
executed in color. Copies of this patent or patent application
publication with color drawing(s) will be provided by the
Office upon request and payment of the necessary fee.

FIG. 1 is a top plan view of a watch showing my new design;
FIG. 2 is a bottom plan view thereof;
FIG. 3 is a front elevational view thereof;
FIG. 4 is a rear elevational view thereof;
FIG. 5 is a right side elevational view thereof;
FIG. 6 is a left side elevational view thereof; and,
FIG. 7 is a top right perspective view thereof.

1 Claim, 7 Drawing Sheets
(7 of 7 Drawing Sheet(s) Filed in Color)



(56)

References Cited

U.S. PATENT DOCUMENTS

7,623,415 B2 *	11/2009	Raeber	B63C 11/32 368/10
D673,866 S *	1/2013	Duport	D10/32
D684,486 S *	6/2013	Messmer	D10/39
D705,084 S *	5/2014	Emmenegger	D10/32
D708,965 S *	7/2014	Monachon	D10/39
D717,181 S *	11/2014	Vukcevic	D10/38
D748,501 S *	2/2016	Cerrato	D10/30
D749,448 S *	2/2016	Monachon	D10/126
D750,505 S *	3/2016	Cerrato	D10/30
D768,526 S *	10/2016	Cerrato	D10/126
D771,505 S *	11/2016	Cerrato	D10/30
D782,336 S *	3/2017	White	D10/39

* cited by examiner



FIG. 1



FIG. 2

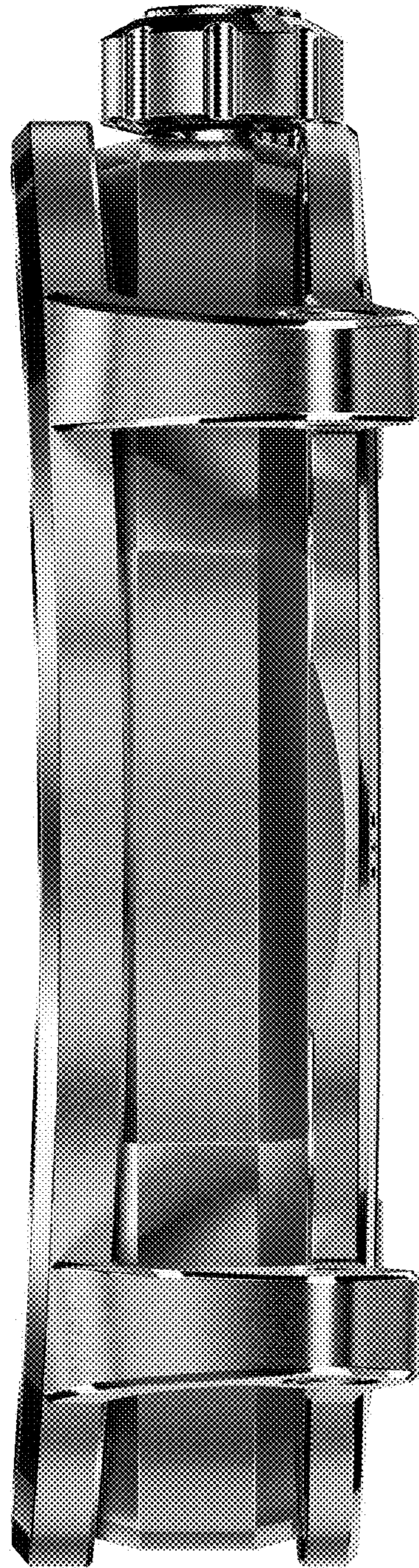


FIG. 3

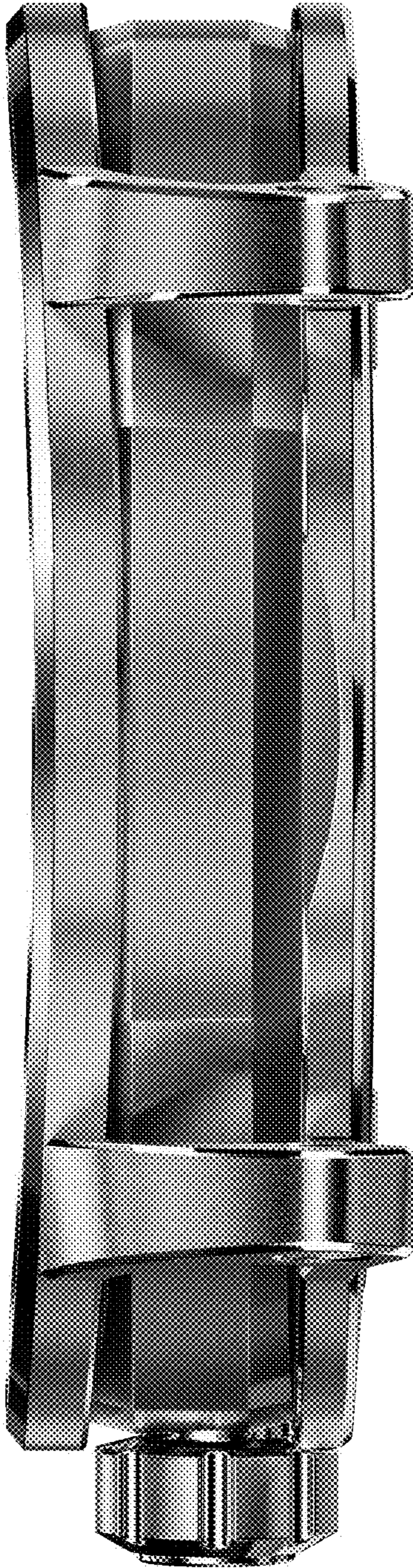


FIG. 4

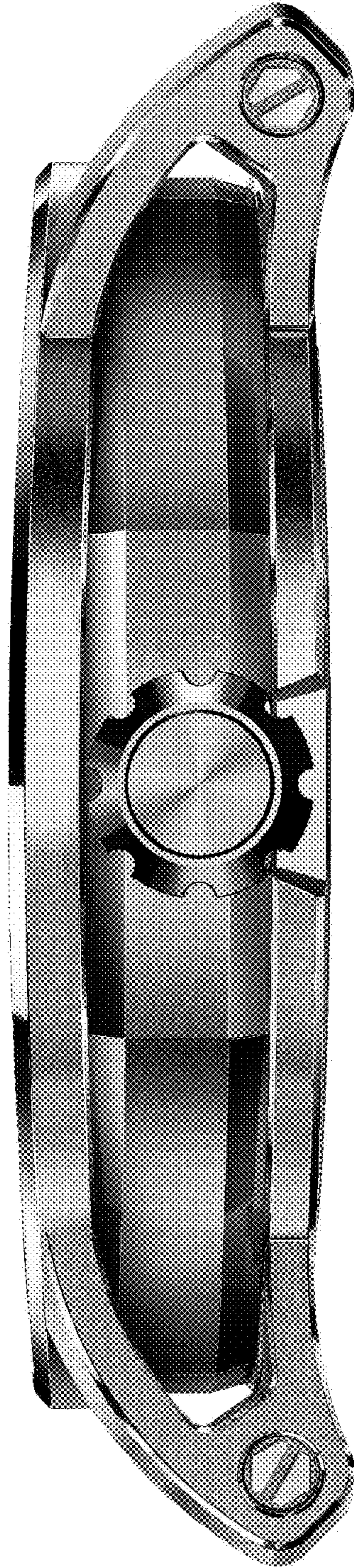


FIG. 5

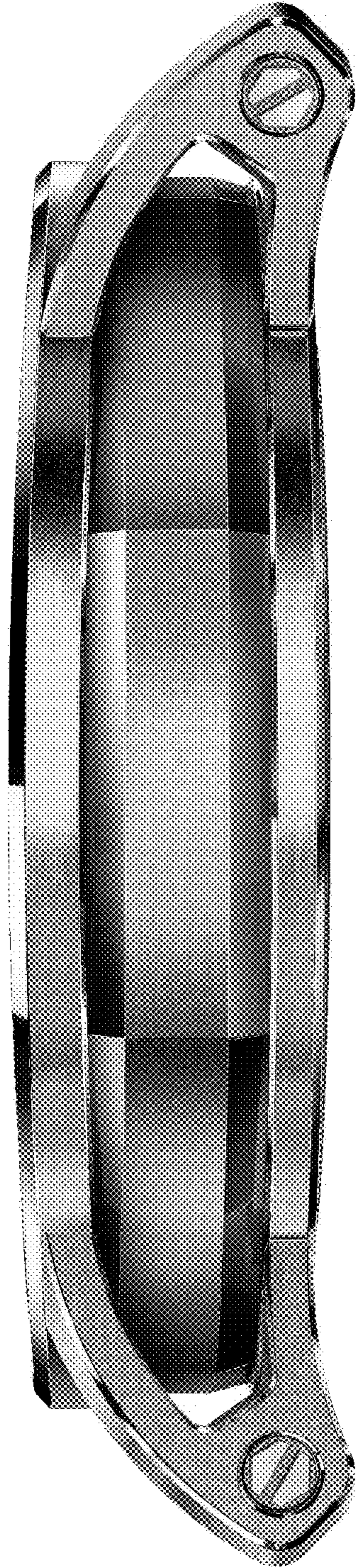


FIG. 6



FIG. 7