



US00D817785S

(12) **United States Design Patent**  
**Chen et al.**

(10) **Patent No.:** **US D817,785 S**  
(45) **Date of Patent:** **\*\* May 15, 2018**

(54) **WATCH**  
(71) Applicant: **SZ DJI Technology Co., Ltd.**,  
Shenzhen (CN)  
(72) Inventors: **Hao Chen**, Shenzhen (CN); **Min Kim**,  
Shenzhen (CN)  
(73) Assignee: **SZ DJI Technology Co., Ltd.**,  
Shenzhen (CN)  
(\*\*) Term: **15 Years**

D315,512 S \* 3/1991 Houlihan ..... D10/30  
D325,527 S \* 4/1992 Schneider ..... D10/31  
D343,584 S \* 1/1994 Olmes ..... D10/32  
D403,970 S \* 1/1999 Chen ..... D10/30  
D404,657 S \* 1/1999 Yamamoto ..... D10/30  
D485,776 S \* 1/2004 Martin ..... D10/128  
D494,557 S \* 8/2004 Lowinger ..... D10/31  
D494,558 S \* 8/2004 Lowinger ..... D10/31  
D561,612 S \* 2/2008 Finazzi ..... D10/38  
D584,173 S \* 1/2009 Monachon ..... D10/39  
D605,531 S \* 12/2009 Salmon ..... D10/31  
D610,473 S \* 2/2010 Goodman ..... D10/38  
D617,661 S \* 6/2010 Nara ..... D10/31

(Continued)

(21) Appl. No.: **29/582,001**  
(22) Filed: **Oct. 24, 2016**  
(51) **LOC (11) Cl.** ..... **10-02**  
(52) **U.S. Cl.**  
USPC ..... **D10/32**  
(58) **Field of Classification Search**  
USPC ..... D10/22, 30-32, 37-39, 65, 70, 98, 103,  
D10/122-124, 126-128, 131; D14/344  
CPC .... A44C 5/16; A44C 5/22; A44C 5/24; A44C  
5/243; A44C 5/246; A44C 5/10; A44C  
5/102; A44C 5/105; A44C 5/107; A44C  
5/02; A44C 5/027; A44C 5/00; A44C  
5/0053; A44C 5/0076; A44C 5/0069;  
G04B 19/06; G04B 19/08; G04B 19/085;  
G04B 19/103; G04B 19/12; G04B 19/18;  
G04B 19/22; G04B 19/223; G04B 19/24;  
G04B 19/26; G04B 19/283; G04B 19/30;  
G04B 19/00; G04B 19/025; G04B 19/04;  
G04B 3/046; G04B 3/048; G04B 37/106;  
G04B 3/001; G04B 37/1486; G04F 7/08;  
G04F 7/0804; G04F 7/0842; G04F  
7/0852; G04F 7/0857; G04F 7/0861;  
G04F 7/0871; G04F 7/0876  
See application file for complete search history.

*Primary Examiner* — Sandra S Snapp  
*Assistant Examiner* — Katherine Glennon  
(74) *Attorney, Agent, or Firm* — Sterne, Kessler,  
Goldstein & Fox P.L.L.C.

(57) **CLAIM**

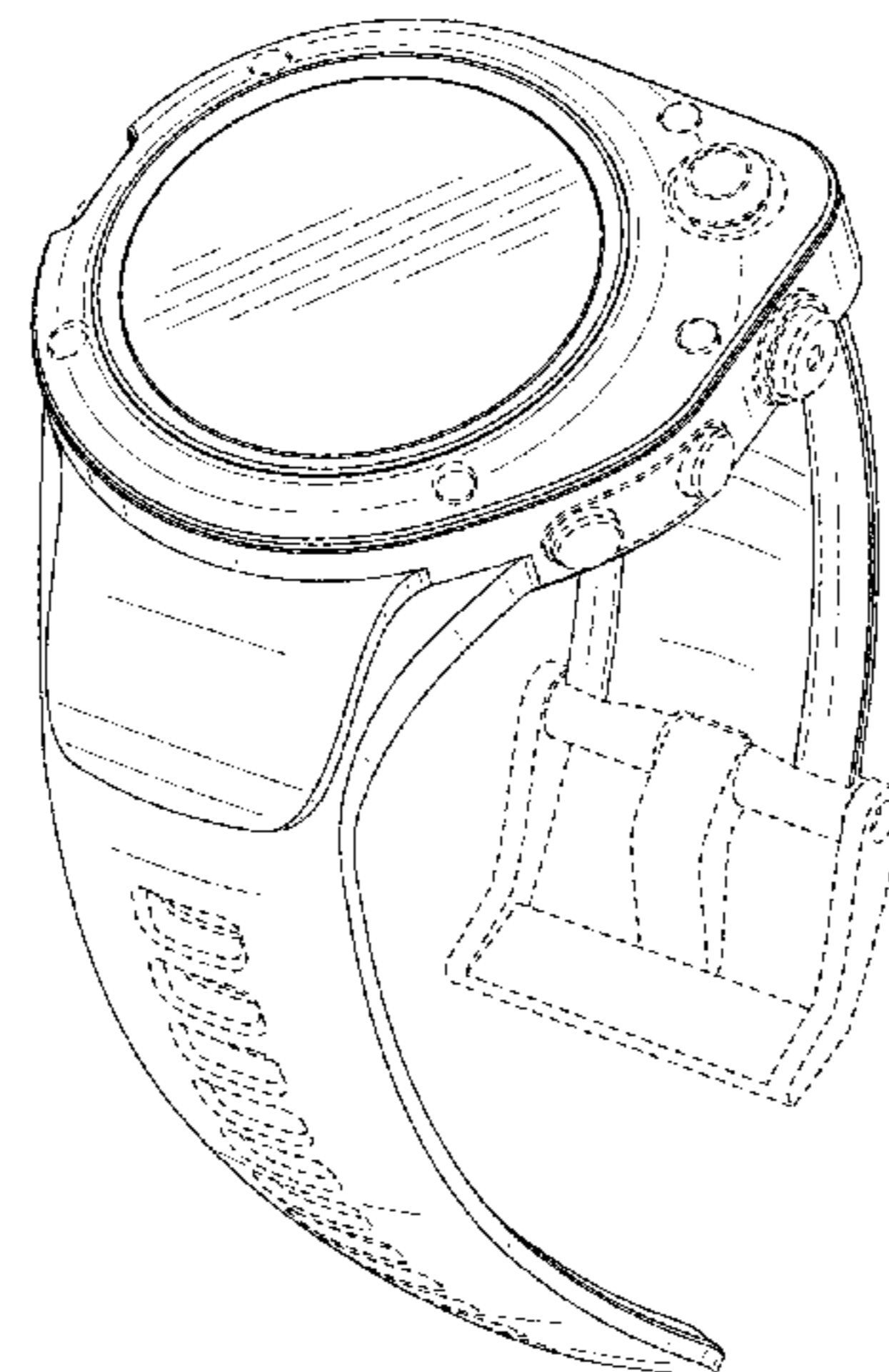
The ornamental design for a watch, as shown and described.

**DESCRIPTION**

FIG. 1 is a top front perspective view of a watch showing the claimed design;  
FIG. 2 is a bottom rear perspective view thereof;  
FIG. 3 is a front view thereof;  
FIG. 4 is a rear view thereof;  
FIG. 5 is a left side view thereof;  
FIG. 6 is a right side view thereof;  
FIG. 7 is a top view thereof; and,  
FIG. 8 is a bottom view thereof.  
The broken lines in the figures show portions of the watch that form no part of the claimed design.  
The oblique shade lines in the figures show transparency or translucency.

(56) **References Cited**  
U.S. PATENT DOCUMENTS  
D295,841 S \* 5/1988 Kano ..... D10/39  
4,783,773 A \* 11/1988 Houlihan ..... G04F 1/005  
368/108

**1 Claim, 7 Drawing Sheets**



(56)

**References Cited**

U.S. PATENT DOCUMENTS

7,773,464 B2 \* 8/2010 Rogers ..... G04F 1/005  
368/240  
D645,363 S \* 9/2011 Houlihan ..... D10/38  
D646,588 S \* 10/2011 Lalo ..... D10/38  
D730,198 S \* 5/2015 Perko ..... D10/31

\* cited by examiner

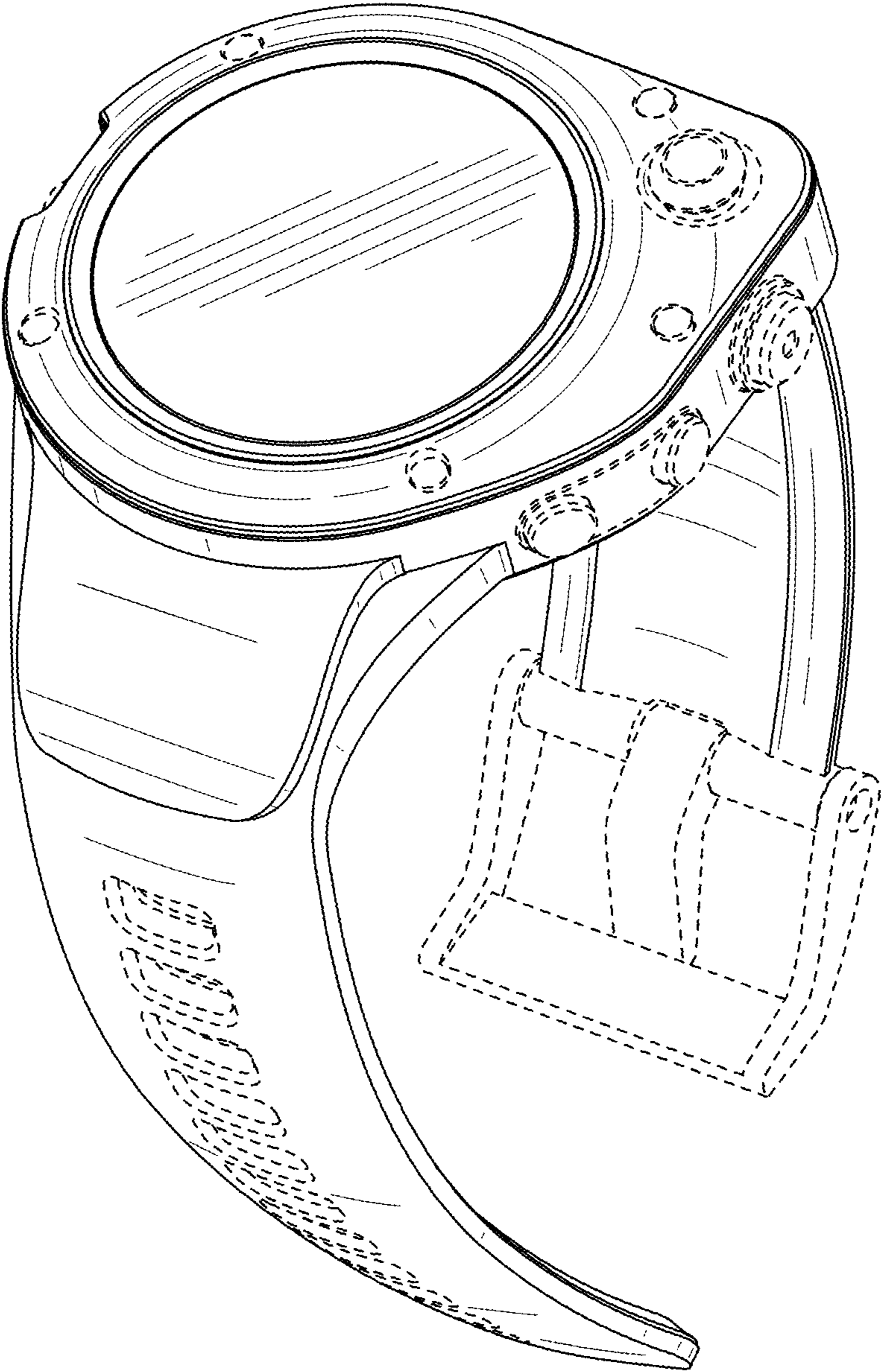


FIG. 1

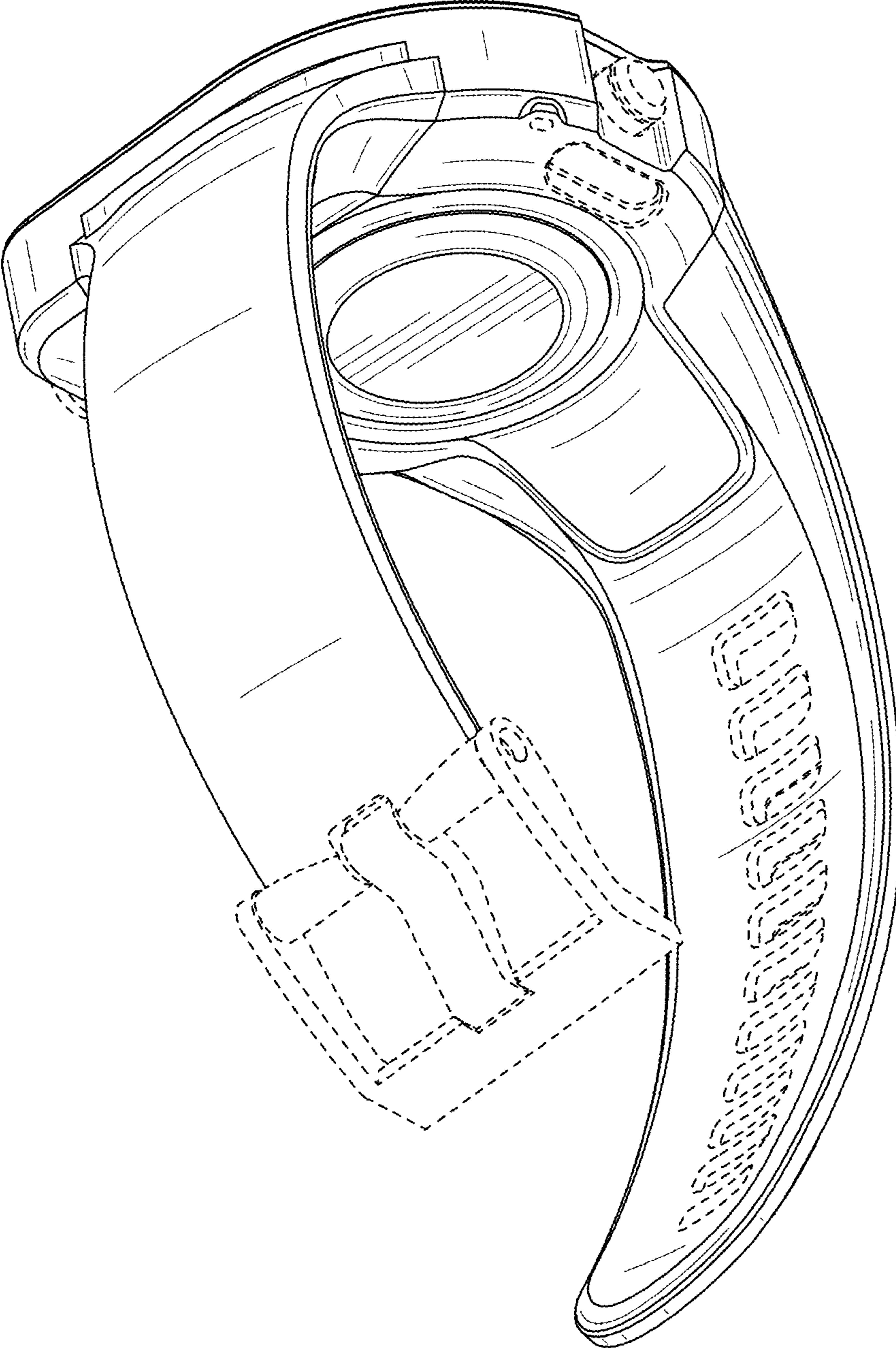


FIG. 2

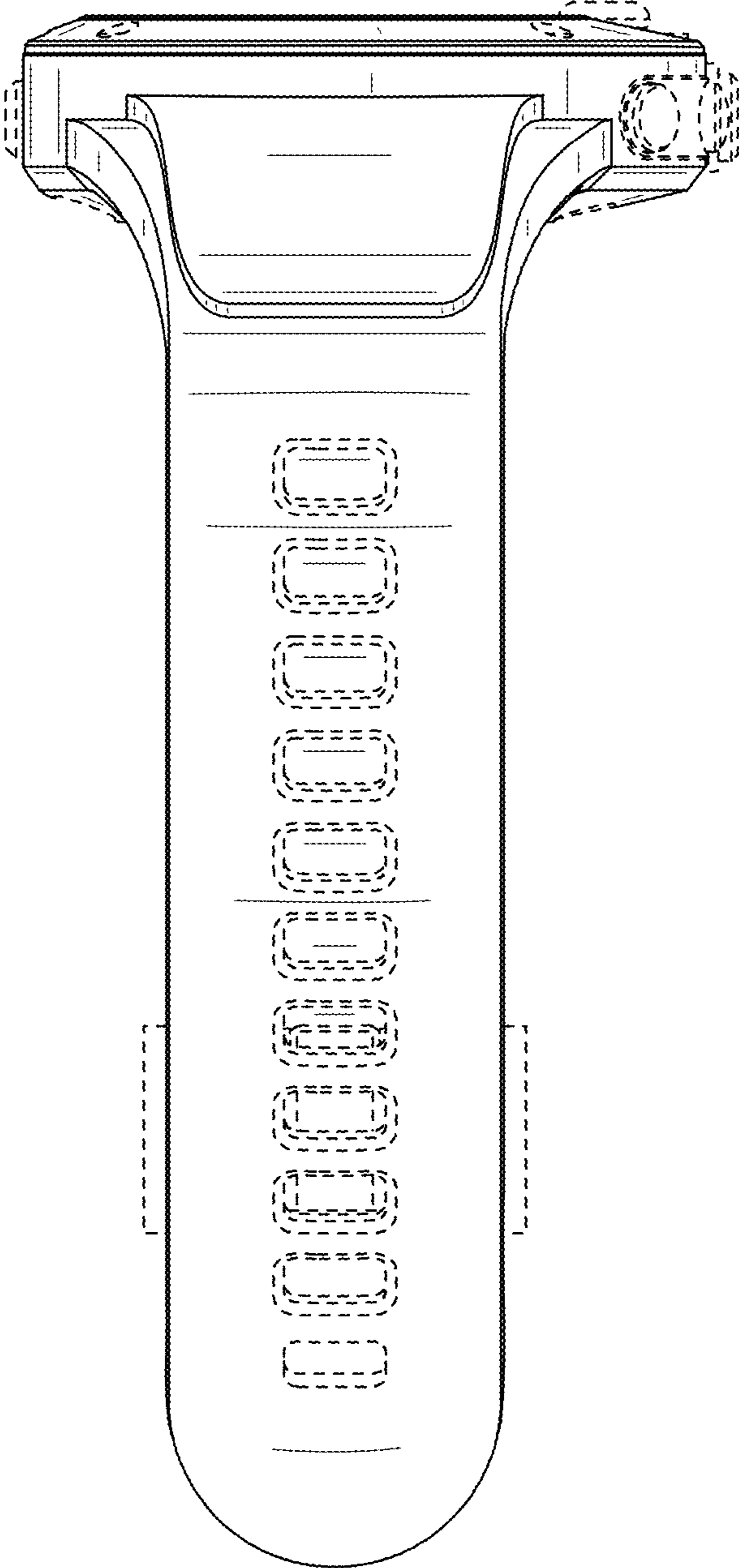


FIG. 3

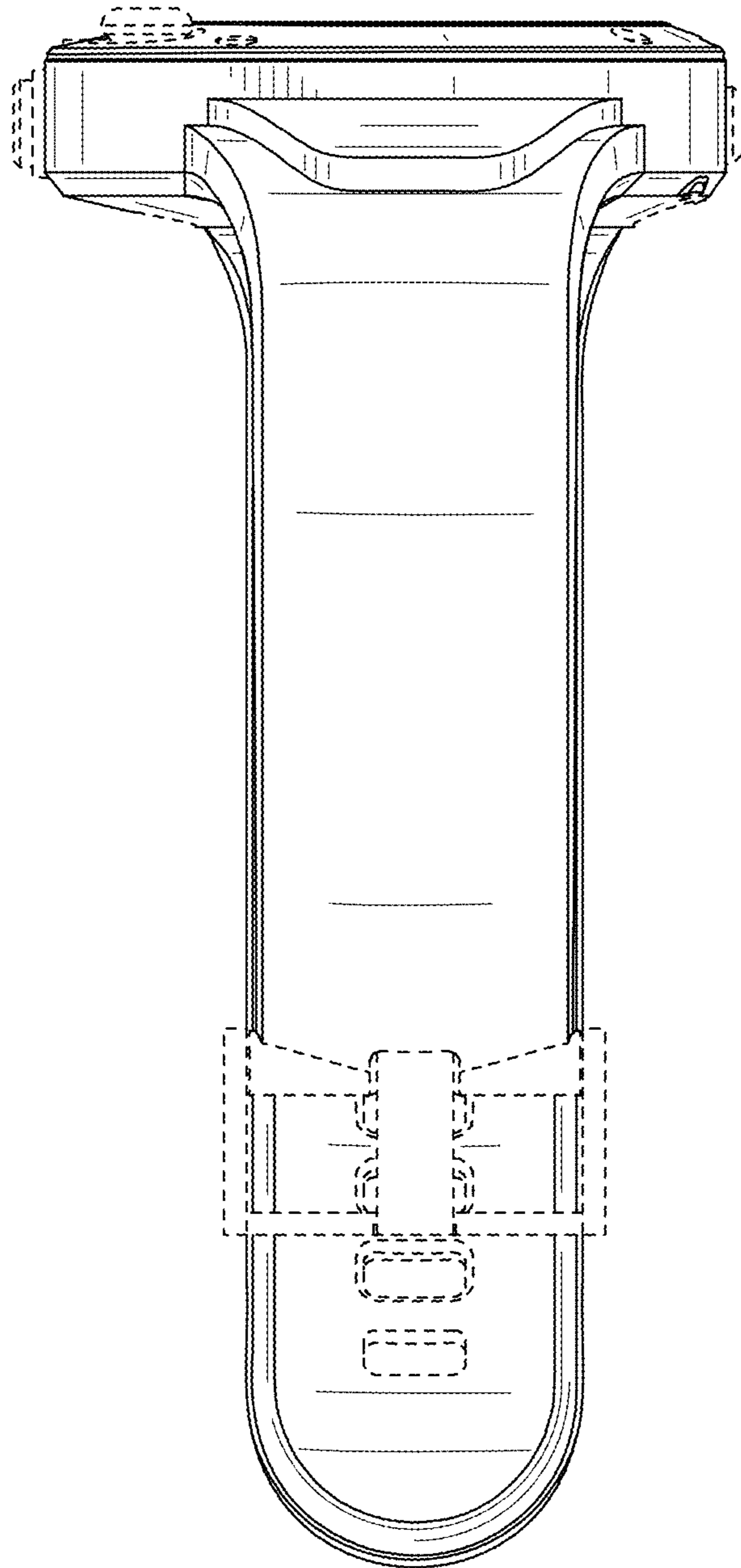


FIG. 4

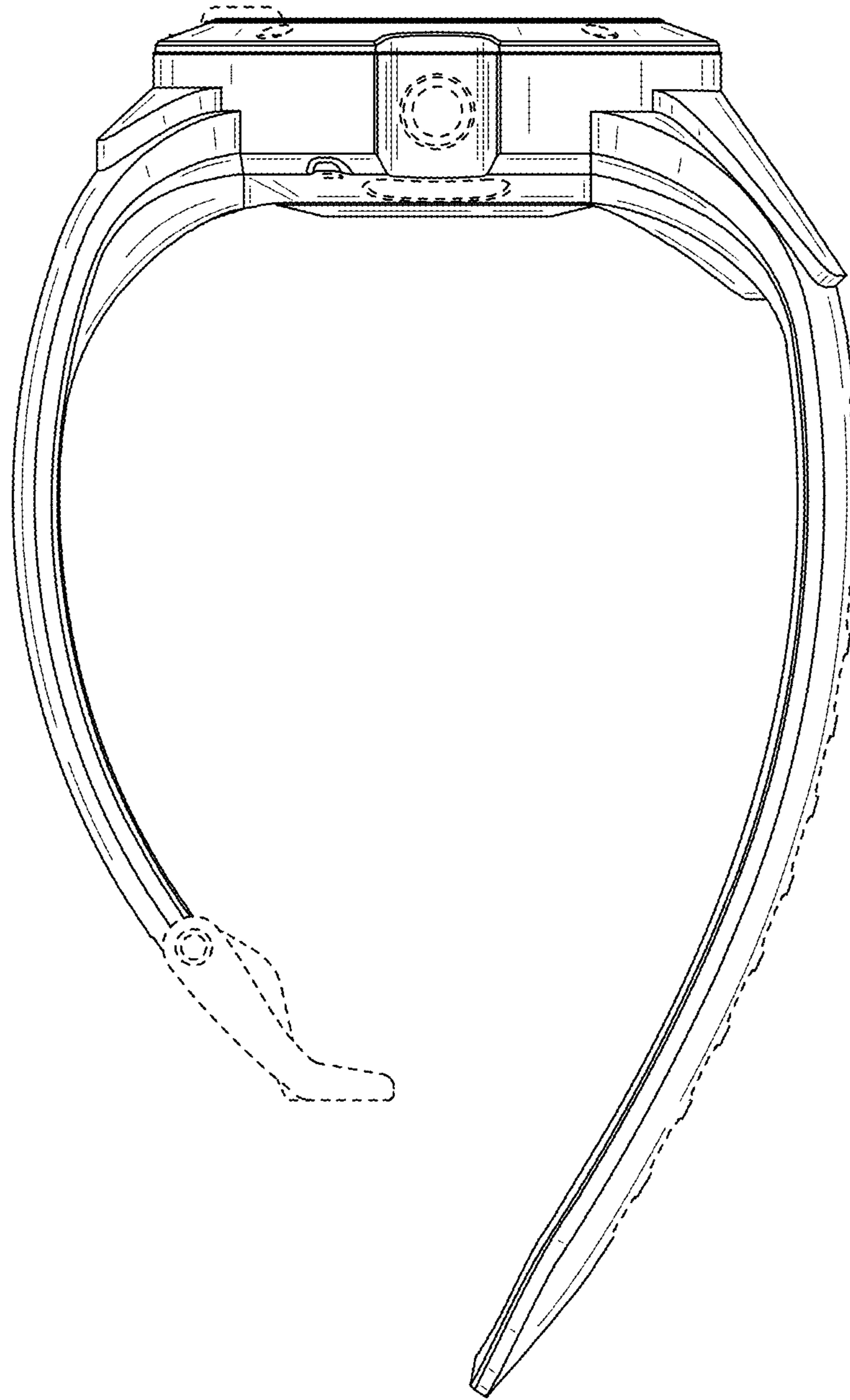


FIG. 5

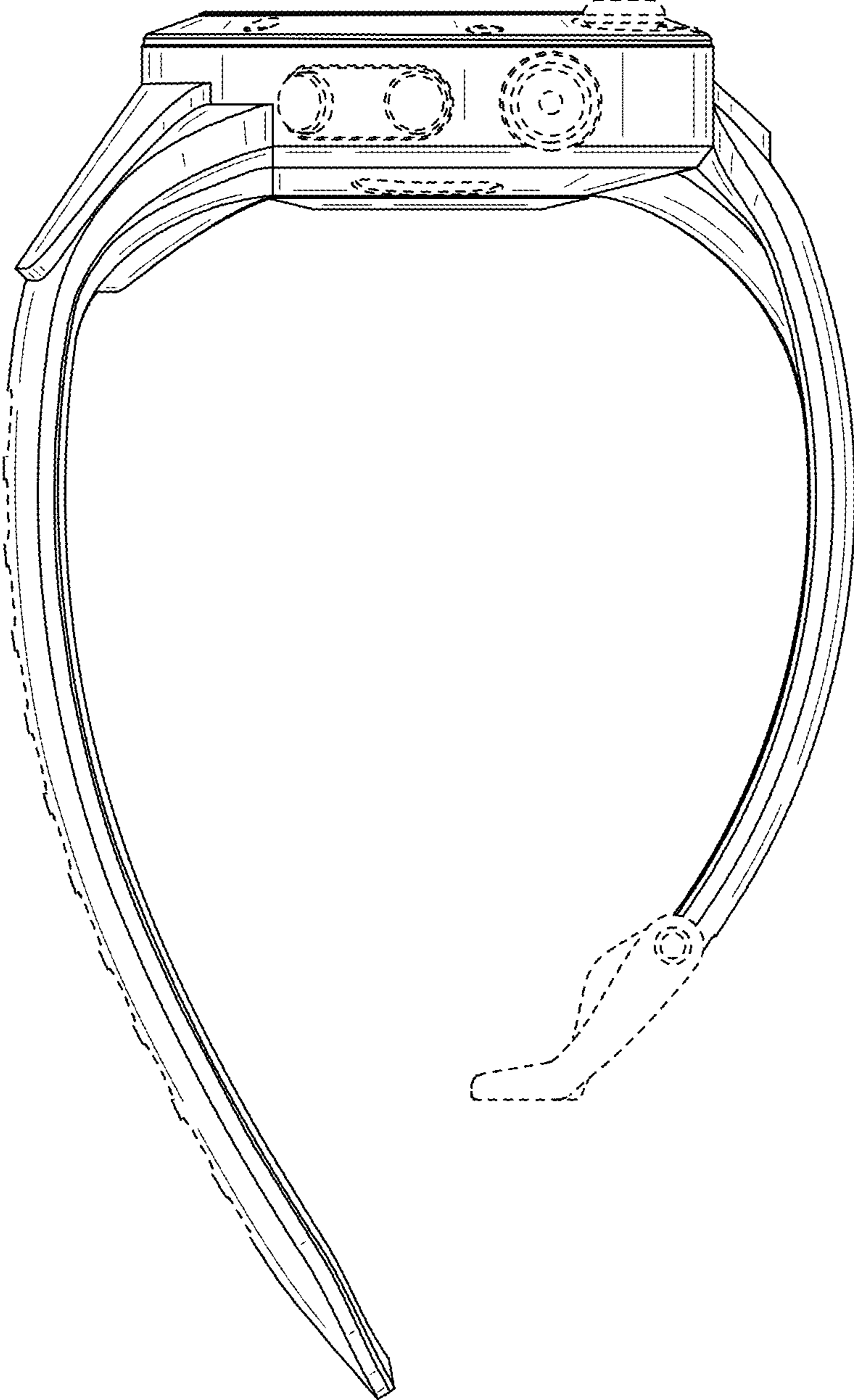


FIG. 6



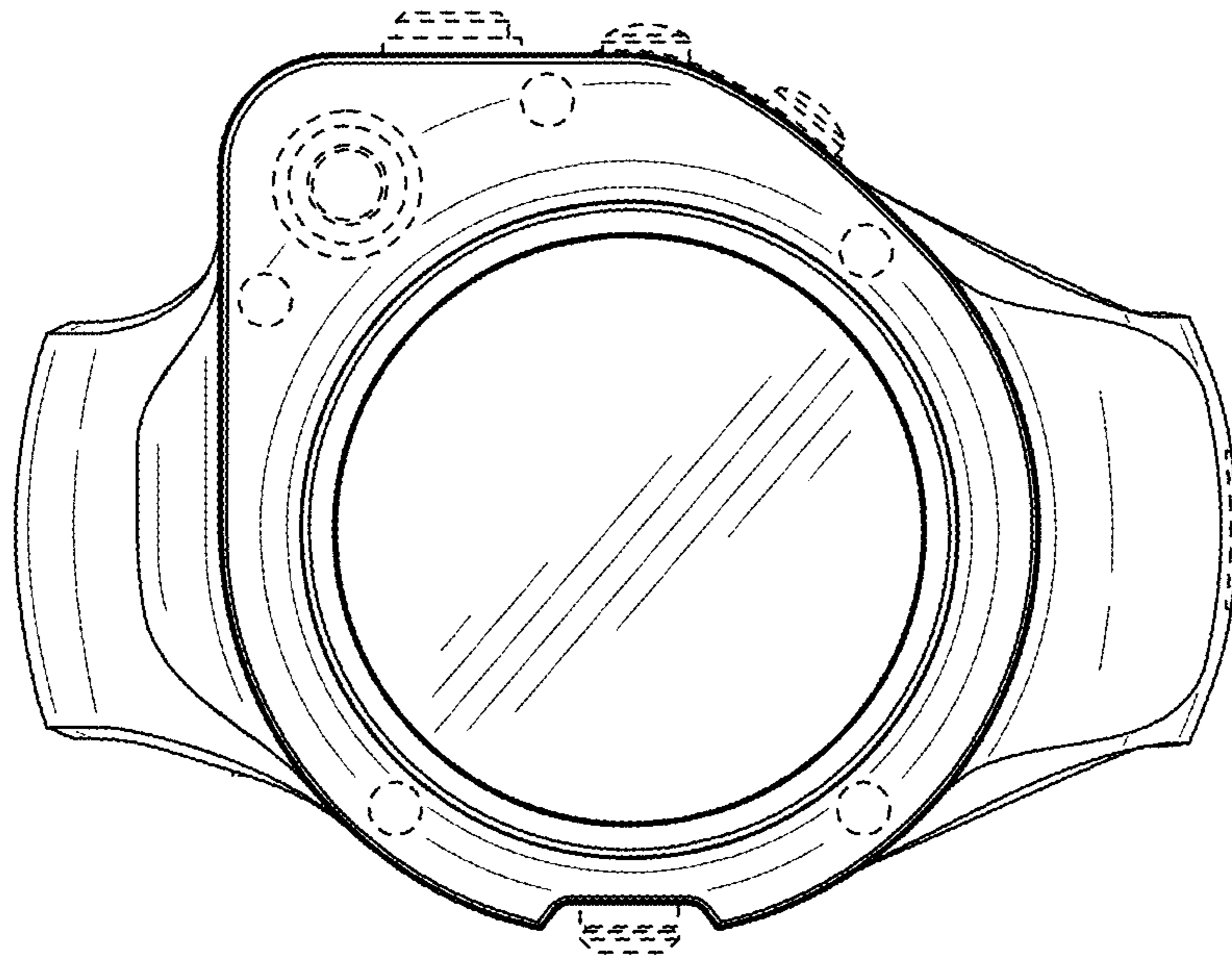


FIG. 7

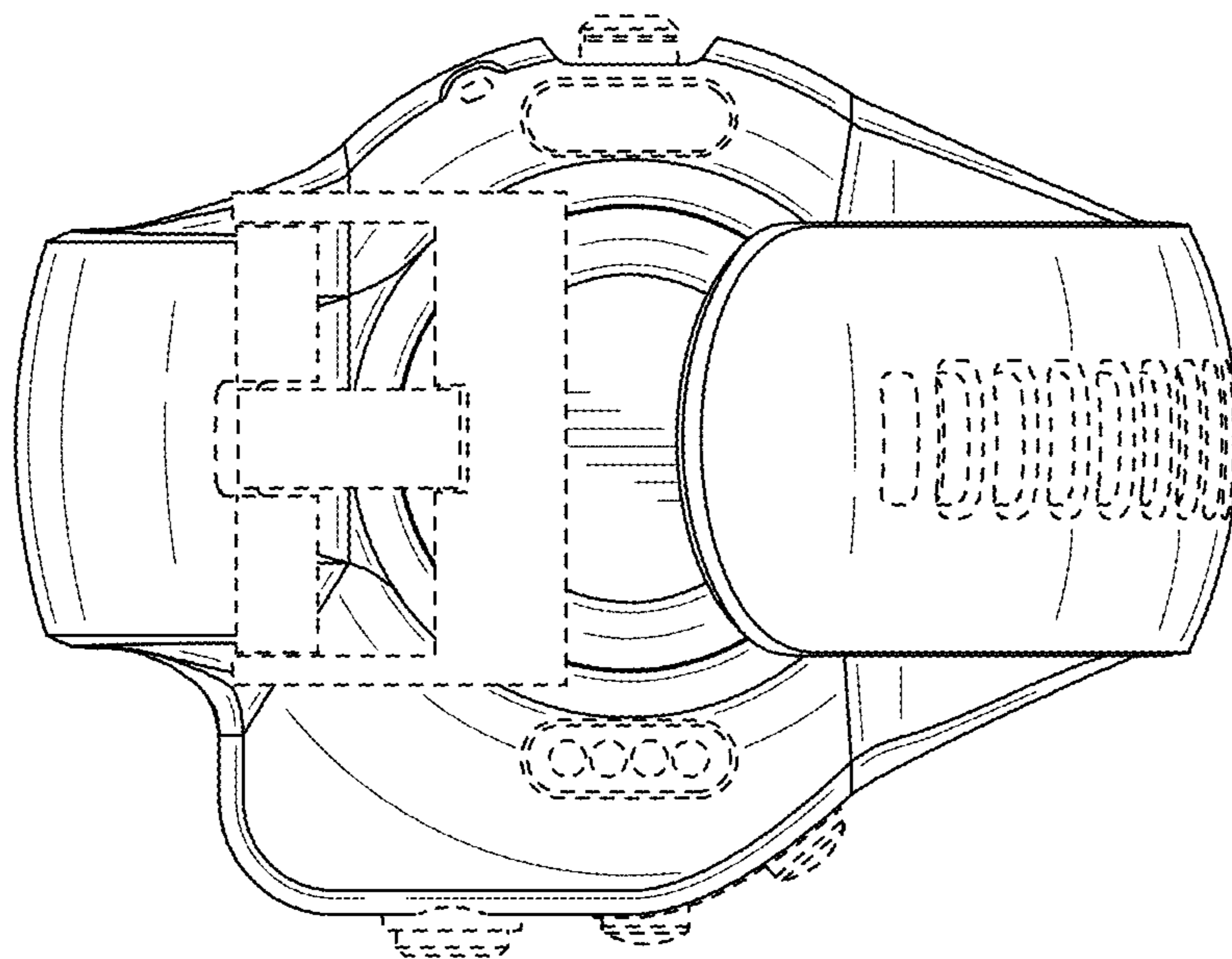


FIG. 8