



US00D817784S

(12) **United States Design Patent** (10) **Patent No.:** **US D817,784 S**  
**Swenson et al.** (45) **Date of Patent:** **\*\* May 15, 2018**

(54) **FITNESS TRACKER WRIST BAND**

(71) Applicant: **STRIIV, INC**, Redwood City, CA (US)

(72) Inventors: **Arthur Joseph Swenson**, Oakland, CA (US); **David Jonq Wang**, Palo Alto, CA (US); **Mark A. Ross**, San Carlos, CA (US)

(73) Assignee: **STRIIV, INC.**, Redwood City, CA (US)

(\*\*) Term: **15 Years**

(21) Appl. No.: **29/565,205**

(22) Filed: **May 18, 2016**

(51) **LOC (11) Cl.** ..... **10-02**

(52) **U.S. Cl.**  
USPC ..... **D10/32; D10/38; D10/70**

(58) **Field of Classification Search**  
USPC ..... D10/30–33, 38, 46, 50–54, 57, 59, 65, D10/68, 70, 106.1, 106.6, 114.9, 116.1, D10/116.6, 119.4; D11/1, 3, 4, 22, 26, D11/46, 48, 53, 128, 138, 184; D14/94, D14/344; D24/167, 186, 187  
CPC ..... A63B 71/0622  
See application file for complete search history.

(56) **References Cited**

**U.S. PATENT DOCUMENTS**

D711,002 S *	8/2014	Ohnemus	.....	D24/186
D714,179 S *	9/2014	Park	.....	D11/3
D717,956 S *	11/2014	Alexander	.....	D24/167
D718,647 S *	12/2014	Roush	.....	D10/70
D724,453 S *	3/2015	Ogihara	.....	D10/70
D725,510 S *	3/2015	Henning	.....	D10/70
D727,183 S *	4/2015	Park	.....	D10/70
D729,078 S *	5/2015	Phillips	.....	D10/103
D729,646 S *	5/2015	Phillips	.....	D10/103
D729,647 S *	5/2015	Phillips	.....	D10/103

(Continued)

**OTHER PUBLICATIONS**

Fusion Bio2, posted on striiv.com, no posted date given, no production date given, [online], [site visited Apr. 25, 2017], Available from Internet, <URL: <https://www.striiv.com/pages/striiv-fusion-bio-2>>.\*

(Continued)

*Primary Examiner* — Melanie H Tung

*Assistant Examiner* — Fritzgerald L Butac

(74) *Attorney, Agent, or Firm* — Maschoff Brennan

(57) **CLAIM**

The ornamental design for a fitness tracker wrist band, as shown and described in the Figures.

**DESCRIPTION**

FIG. 1 is a perspective view of a fitness tracker wrist band according to the new design, the center fitness tracker shown in broken lines forms no part of the claimed design

FIG. 2 is a perspective view of the fitness tracker wrist band of FIG. 1 showing the new design;

FIG. 3 is a front elevation view of the fitness tracker wrist band of FIG. 2;

FIG. 4 is a rear elevation view of the fitness tracker wrist band of FIG. 2;

FIG. 5 is a left side elevation view of the fitness tracker wrist band of FIG. 2;

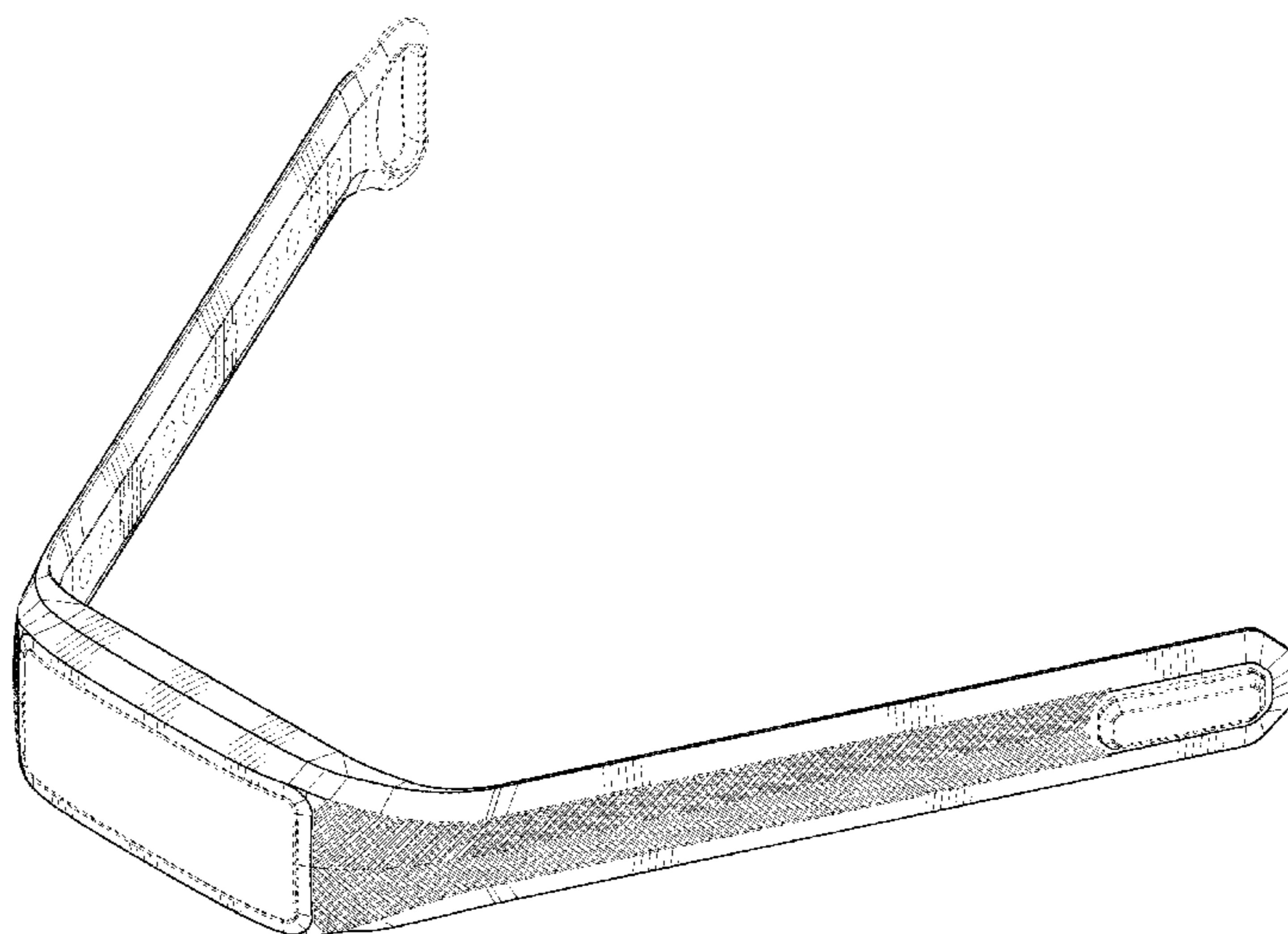
FIG. 6 is a right side elevation view of the fitness tracker wrist band of FIG. 2;

FIG. 7 is a top plan view of the fitness tracker wrist band of FIG. 2; and,

FIG. 8 is a bottom plan view of the fitness tracker wrist band of FIG. 2.

The broke lines in all the figure views show portions of the fitness tracker wrist band that form no part of the claimed design.

**1 Claim, 8 Drawing Sheets**



(56)

References Cited

U.S. PATENT DOCUMENTS

D729,648 S \* 5/2015 Phillips ..... D10/103  
 D729,649 S \* 5/2015 Phillips ..... D10/103  
 D729,650 S \* 5/2015 Phillips ..... D10/32  
 D730,347 S \* 5/2015 Jung ..... D14/344  
 D744,869 S \* 12/2015 Dallmeyer ..... D10/32  
 D745,513 S \* 12/2015 Jung ..... D14/344  
 D746,477 S \* 12/2015 Cha ..... D24/186  
 D747,714 S \* 1/2016 Erbeus ..... D10/32  
 D751,069 S \* 3/2016 Choi ..... D10/32  
 D751,549 S \* 3/2016 Park ..... D10/38  
 D752,046 S \* 3/2016 Jun ..... D14/344  
 D752,580 S \* 3/2016 Choi ..... D10/32  
 D754,349 S \* 4/2016 Eshita ..... D24/165  
 D755,176 S \* 5/2016 Jung ..... D14/344  
 D757,583 S \* 5/2016 Roush ..... D10/70  
 D757,721 S \* 5/2016 Dallmeyer ..... D14/344  
 D761,141 S \* 7/2016 Wimmer, IV ..... D10/74  
 D762,641 S \* 8/2016 Lee ..... D14/344  
 D770,443 S \* 11/2016 Francis ..... D14/341  
 D771,511 S \* 11/2016 Poesel ..... D10/104.1  
 D772,867 S \* 11/2016 Park ..... D10/39  
 D772,870 S \* 11/2016 Park ..... D14/138 R  
 D772,871 S \* 11/2016 Park ..... D14/138 R  
 D772,872 S \* 11/2016 Park ..... D14/138 R

D773,049 S \* 11/2016 Wimmer, IV ..... D10/103  
 D773,459 S \* 12/2016 Jun ..... D14/344  
 D775,538 S \* 1/2017 Phillips ..... D10/103  
 D779,989 S \* 2/2017 Lee ..... D10/70  
 D780,602 S \* 3/2017 Heleniak ..... D10/38

OTHER PUBLICATIONS

Striiv Fusion Activity Tracker, posted on amazon.com, earliest reviewed Nov. 13, 2014, no production date given, [online], [site visited Apr. 25, 2017], Available from Internet, <URL: [https://www.amazon.com/Striiv-Fusion-Activity-Tracker-Smartwatch/product-reviews/B00O2X4QDI/ref=cm\\_cr\\_getr\\_d\\_paging\\_btm\\_15?ie=UTF8&reviewerType=avp\\_only\\_reviews&sort.\\*](https://www.amazon.com/Striiv-Fusion-Activity-Tracker-Smartwatch/product-reviews/B00O2X4QDI/ref=cm_cr_getr_d_paging_btm_15?ie=UTF8&reviewerType=avp_only_reviews&sort.*)>  
 Samsung Gear Fit2, posted on kmart.com, posted Jun. 13, 2016, no production date given, [online], [site visited Apr. 25, 2017], Available from Internet, <URL: [http://www.kmart.com/samsung-gear-fit2-small-black/p-05704317000P?plpSellerId=Sears&prdNo=1&blockNo=1&blockType=G1#>.\\*](http://www.kmart.com/samsung-gear-fit2-small-black/p-05704317000P?plpSellerId=Sears&prdNo=1&blockNo=1&blockType=G1#>.*)>  
 Striiv Fusion Accessory Bands, posted on striiv.com, no posted date given, no production date given, [online], [site visited Apr. 24, 2017], Available from Internet, <URL: [https://www.striiv.com/products/striiv-fusion-accessory-bands-3-pack>.\\*](https://www.striiv.com/products/striiv-fusion-accessory-bands-3-pack>.*)>

\* cited by examiner

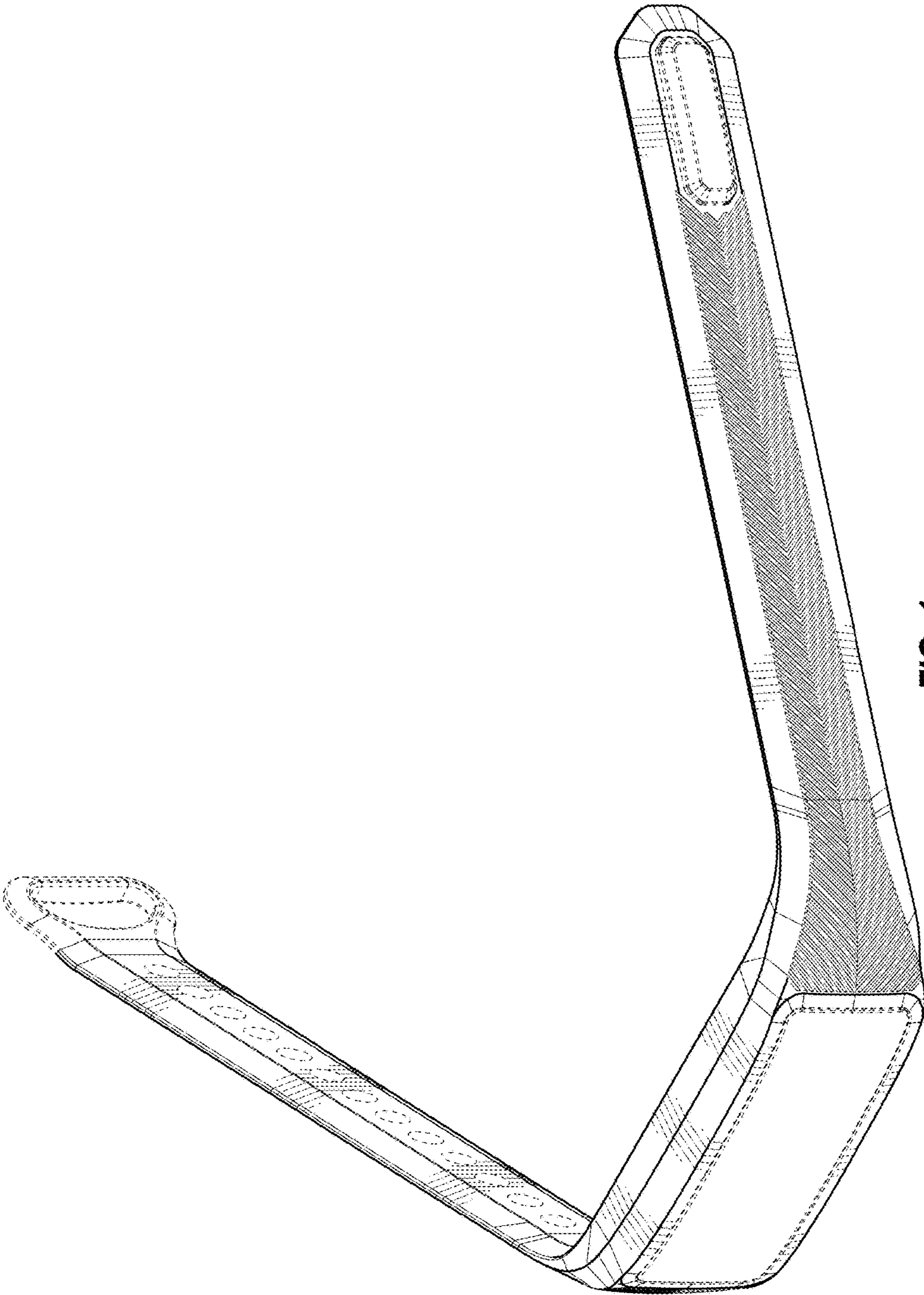


FIG. 1



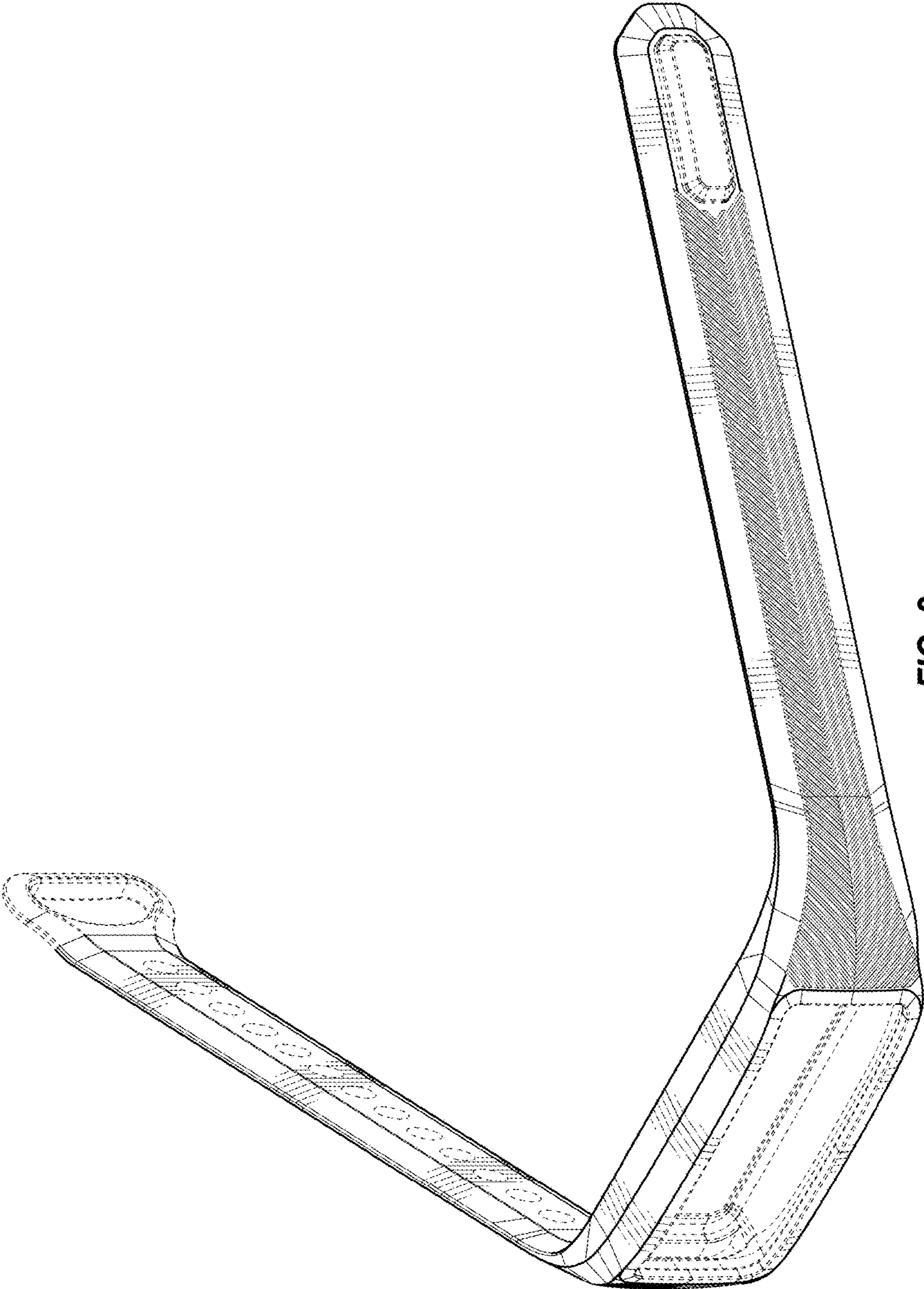


FIG. 2

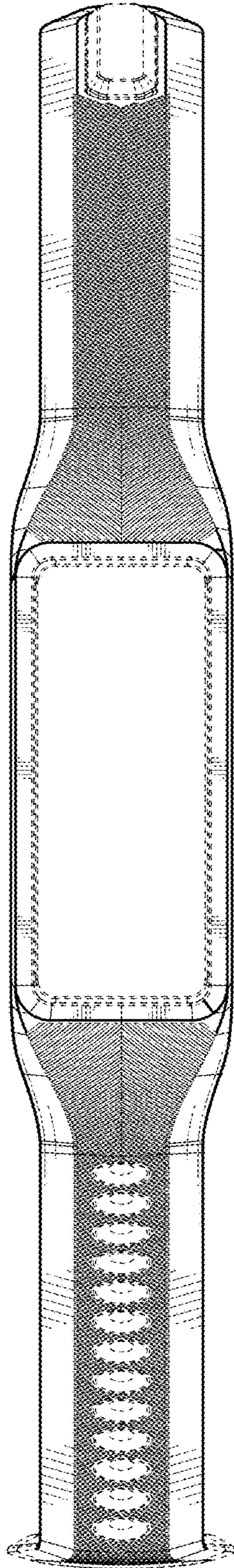


FIG. 3

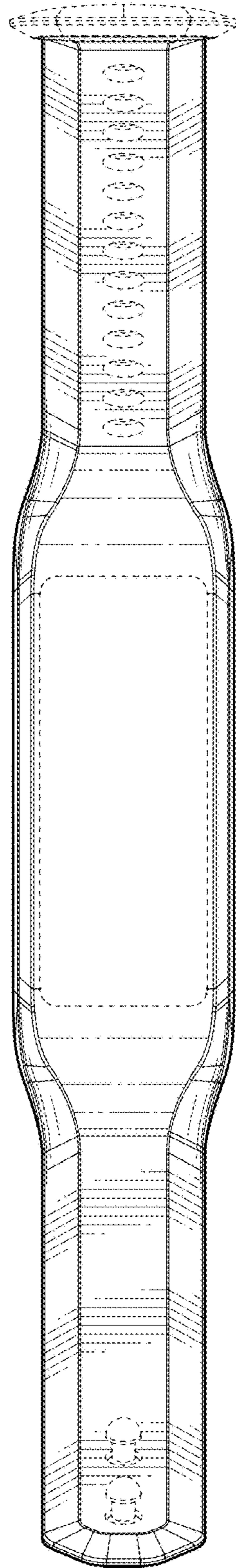
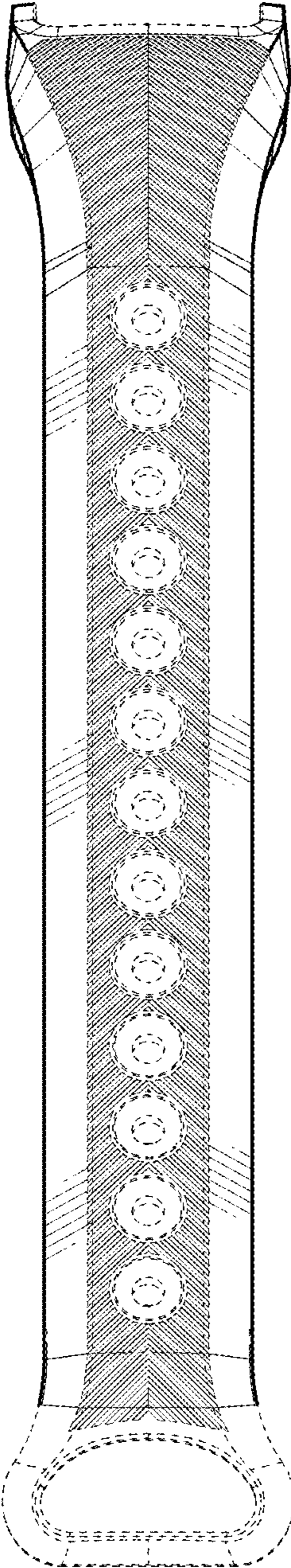
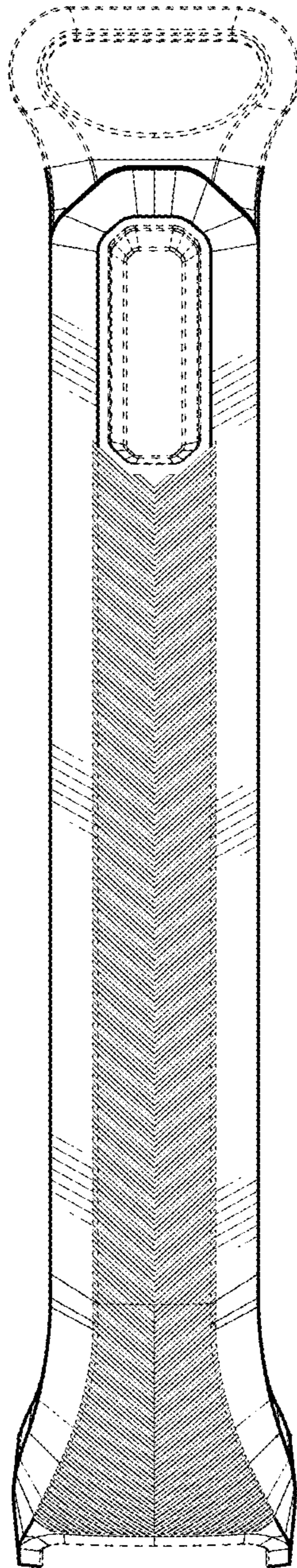


FIG. 4





**FIG. 5**



**FIG. 6**



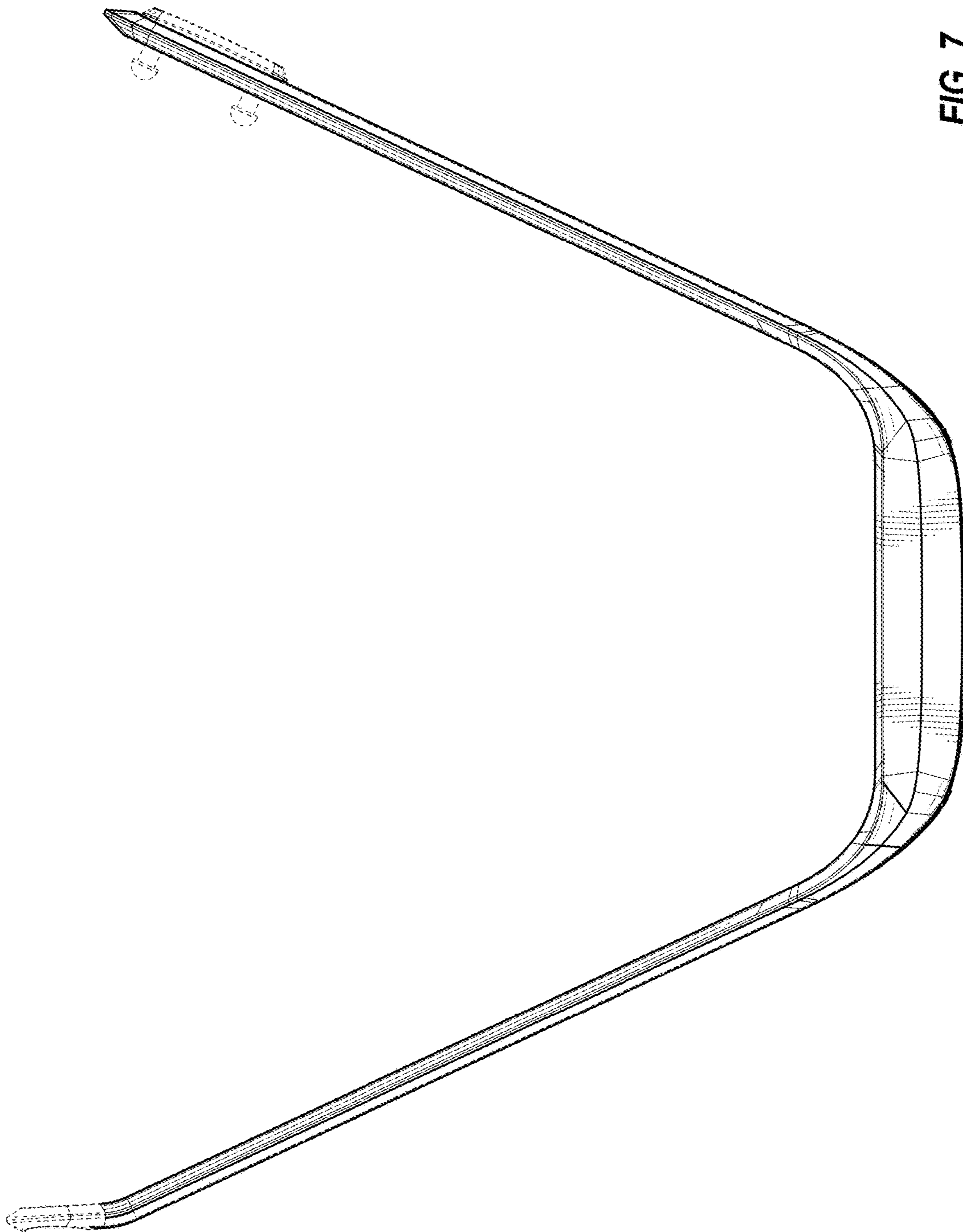


FIG. 7

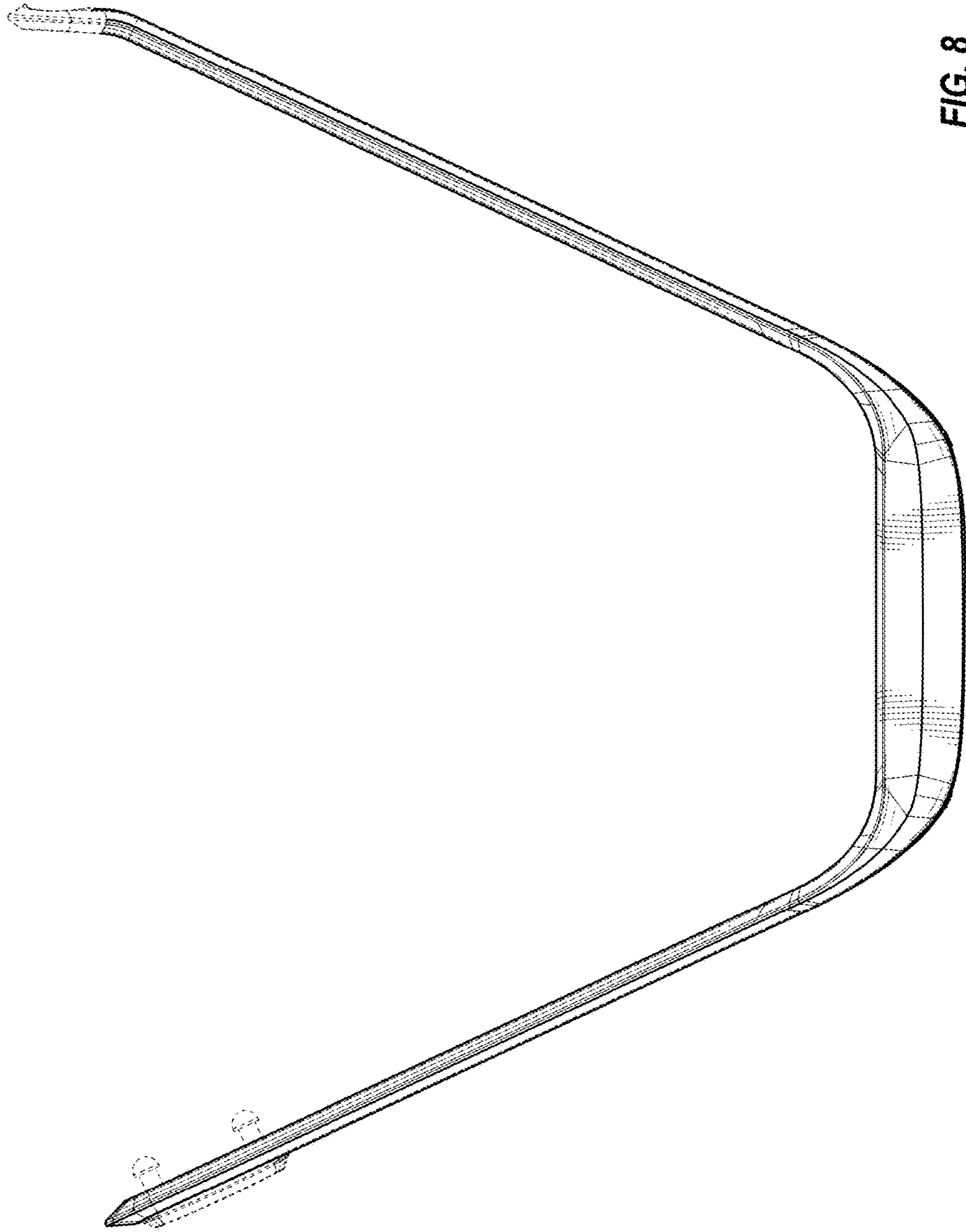


FIG. 8