



US00D817783S

(12) **United States Design Patent**  
**Chang et al.**

(10) **Patent No.:** **US D817,783 S**  
(45) **Date of Patent:** **\*\* May 15, 2018**

(54) **GIFT BOX**

(71) Applicants: **Shu Chun Chang**, San Jose, CA (US);  
**Hsiao Chuan Andrew Wei**, San Jose,  
CA (US)

(72) Inventors: **Shu Chun Chang**, San Jose, CA (US);  
**Hsiao Chuan Andrew Wei**, San Jose,  
CA (US)

(\*\*) Term: **15 Years**

(21) Appl. No.: **29/603,597**

(22) Filed: **May 11, 2017**

(51) **LOC (11) Cl.** ..... **09-03**

(52) **U.S. Cl.**  
USPC ..... **D9/756**

(58) **Field of Classification Search**  
USPC ..... D9/414, 418, 430, 432, 433, 737,  
D9/756-762; D3/201, 203.3, 302, 304,  
D3/313-315; D7/601, 602, 701, 703,  
D7/708; D21/392; D24/224-227, 229,  
D24/230; 211/71.01; 217/7; 206/563  
CPC ..... A47G 23/0641; B65B 43/08;  
B65D 25/2888; B65D 5/48038; B65D  
5/20; B65D 5/22; B65D 5/42; B65D  
5/5455; B65D 85/36

See application file for complete search history.

(56) **References Cited**

U.S. PATENT DOCUMENTS

2,981,039	A *	4/1961	Pohl	.....	B65B 43/08	206/486
3,038,625	A	6/1962	Sinner et al.			
3,306,439	A *	2/1967	Storey	.....	B65D 5/48038	206/392
3,315,858	A *	4/1967	Horner	.....	A47G 23/0625	220/574
3,682,597	A *	8/1972	Husch	.....	G01N 31/22	206/446

D251,360	S	3/1979	Collin			
D253,517	S	11/1979	Grodin			
D261,618	S	11/1981	Oliff			
D267,847	S *	2/1983	Pielert	.....	D7/501	
D320,102	S	9/1991	Harford			
D326,341	S	5/1992	Frauhiger			
D329,375	S	9/1992	Bergman			
D333,931	S	3/1993	Wein			
D351,787	S	10/1994	Hansen			
5,540,334	A *	7/1996	Haas	.....	B65D 25/108	206/446
D389,054	S	1/1998	Teags			
D401,851	S	12/1998	Teags			
D405,610	S	2/1999	Rasmussen			
D423,347	S	4/2000	Basalyga			
D461,126	S	8/2002	Decello			
D463,977	S *	10/2002	Castellanos	.....	D9/425	
D513,596	S *	1/2006	Hamblin	.....	D24/230	

(Continued)

*Primary Examiner* — Cathron C Brooks

*Assistant Examiner* — W. A. Teddy Falloway

(74) *Attorney, Agent, or Firm* — Quickpatents, LLC;  
Kevin Prince

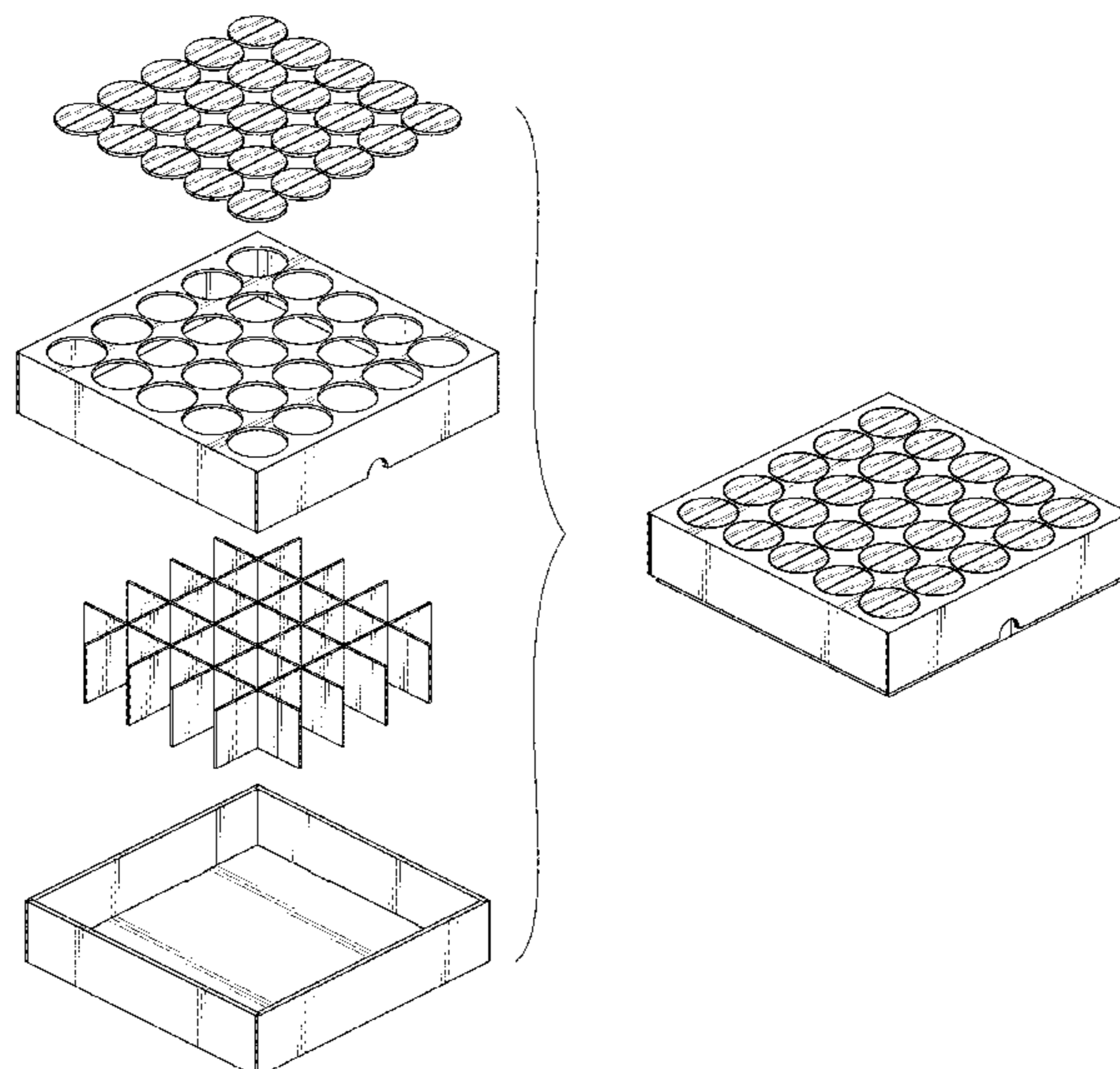
(57) **CLAIM**

We claim the ornamental design for a gift box, as shown and described.

**DESCRIPTION**

FIG. 1 is an exploded top perspective view of a gift box, showing our new design;  
FIG. 2 is an exploded bottom perspective view thereof;  
FIG. 3 is an exploded top plan view thereof;  
FIG. 4 is an exploded bottom plan view thereof;  
FIG. 5 is an exploded front elevational view thereof;  
FIG. 6 is an exploded left-side elevational view thereof, the right-side elevational view being a mirror image thereof; and,  
FIG. 7 is a perspective view thereof, but shown in an assembled state.

**1 Claim, 5 Drawing Sheets**



(56)

References Cited

U.S. PATENT DOCUMENTS

D515,941 S *	2/2006	Hamblin .....	D24/230	D752,974 S	4/2016	Ghini	
D515,942 S *	2/2006	Hamblin .....	D24/230	D756,561 S	5/2016	Ghiotti	
D515,943 S	2/2006	Hamblin		D758,191 S	6/2016	Tu	
D519,387 S *	4/2006	Liukko .....	D9/756	D763,683 S	8/2016	O'Neill	
D522,376 S *	6/2006	Hales .....	D7/613	D763,684 S	8/2016	O'Neill	
D538,538 S	3/2007	Espinosa		D764,918 S	8/2016	Zigah	
D555,938 S	11/2007	Brisco		D766,714 S	9/2016	Stiefel	
D568,733 S	5/2008	DuBois		D772,057 S	11/2016	Adams	
D576,487 S	9/2008	Ballard		D774,388 S *	12/2016	Xia .....	D9/432
D613,164 S	4/2010	Lee		D774,905 S	12/2016	Smith	
D653,767 S *	2/2012	Lovshe .....	D24/230	D779,958 S	2/2017	Canuto	
D673,864 S *	1/2013	Read .....	D9/414	D784,807 S	4/2017	Glass	
D697,433 S	1/2014	Pong		D807,023 S *	1/2018	Turner .....	D3/203.3
D711,365 S *	8/2014	Miles .....	D14/253	2011/0209913 A1 *	9/2011	Green .....	H02G 3/081
D723,022 S *	2/2015	Miles .....	D14/253				174/520
D723,023 S *	2/2015	Miles .....	D14/253	2012/0085767 A1 *	4/2012	Read .....	B65D 5/48038
D734,075 S *	7/2015	Tapper .....	D6/672				220/523
D734,076 S *	7/2015	Tapper .....	D6/672	2014/0209496 A1 *	7/2014	Flynn .....	B65C 3/08
							206/459.5

\* cited by examiner

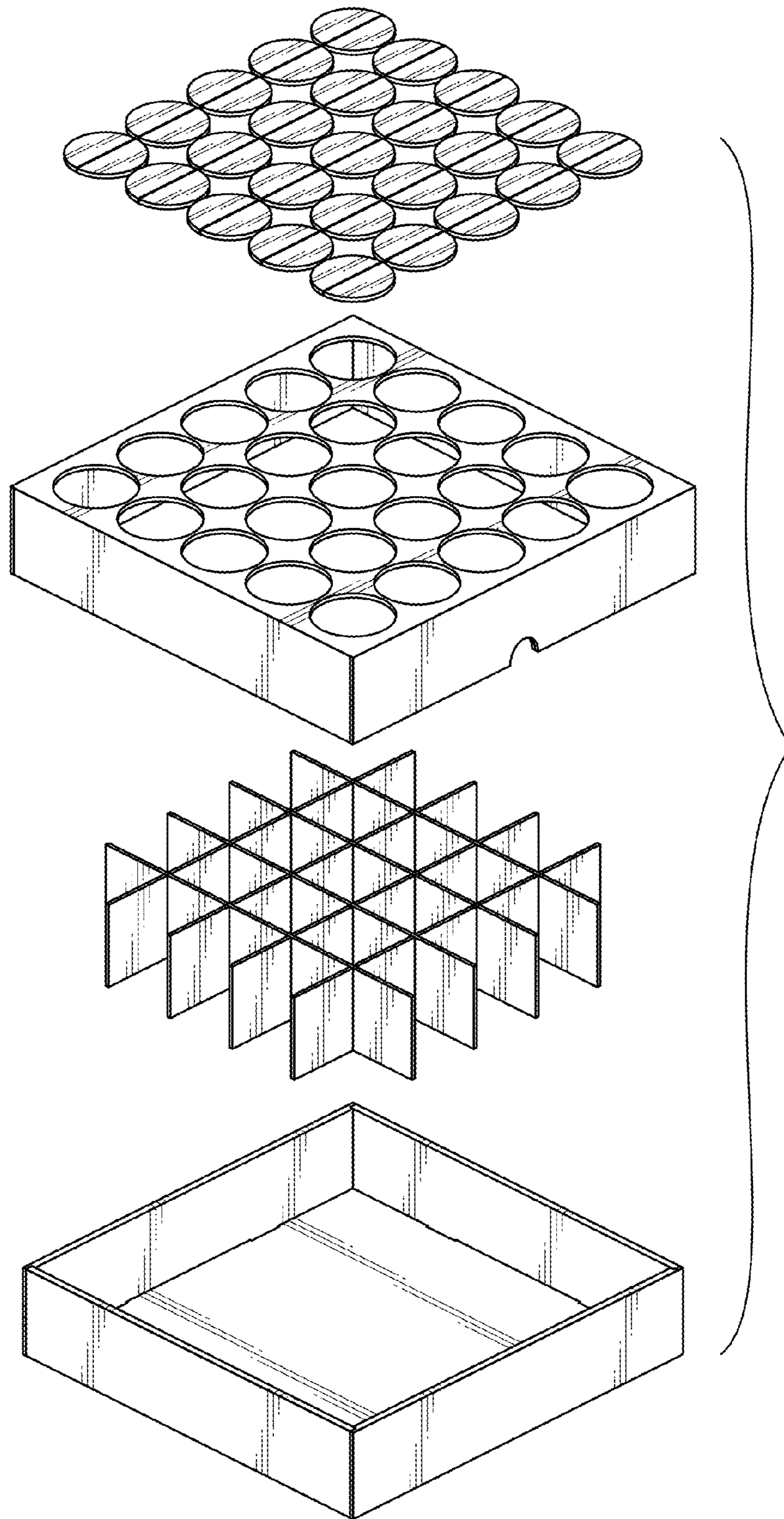


FIG. 1

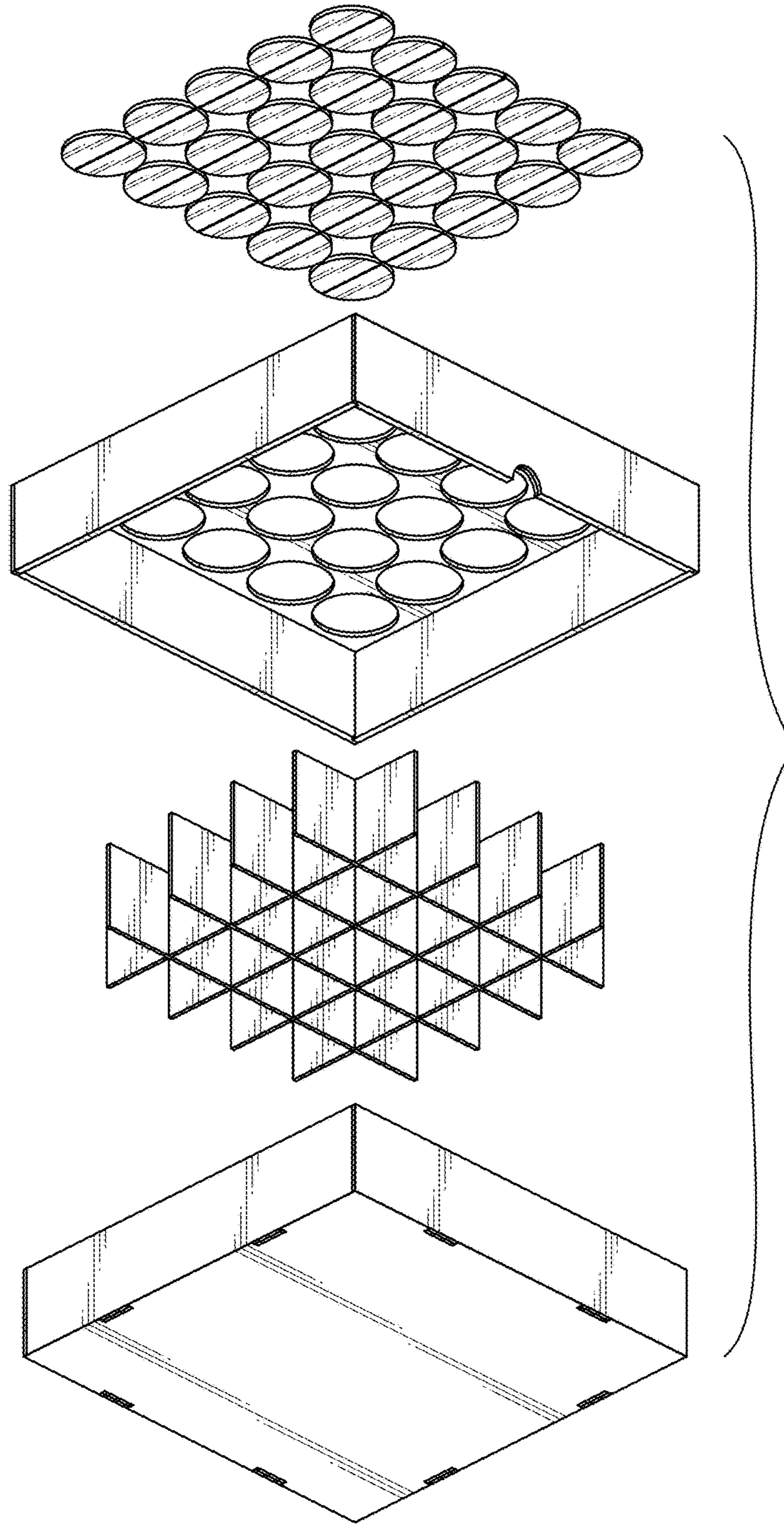


FIG. 2

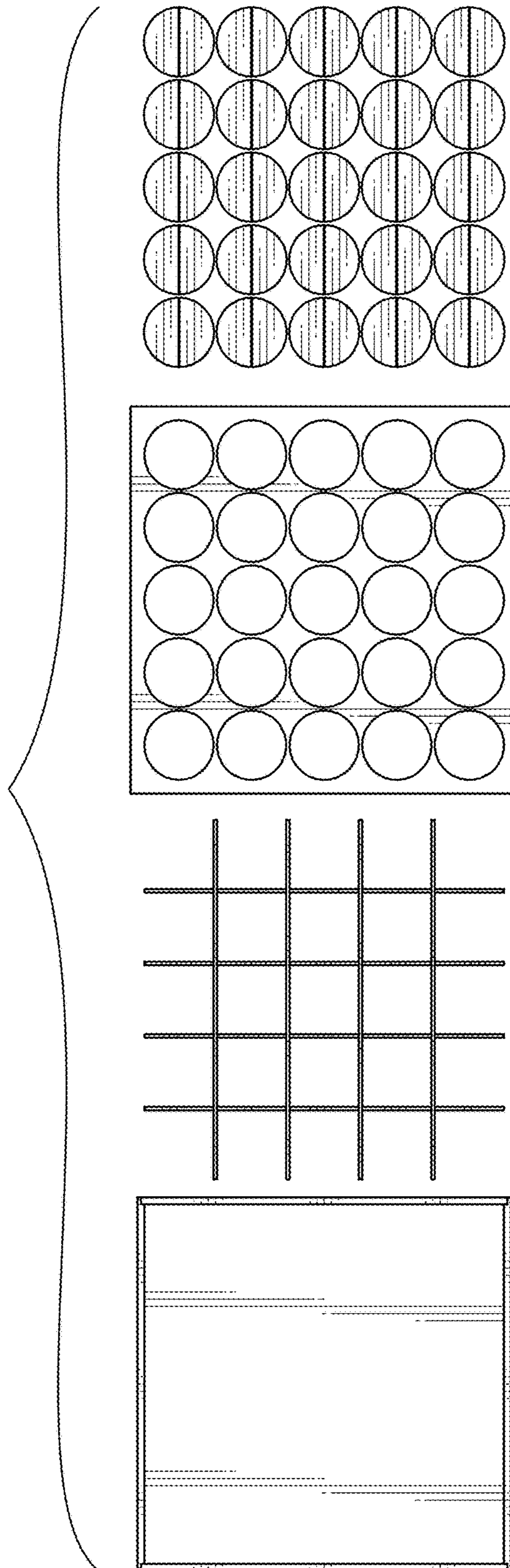


FIG. 3

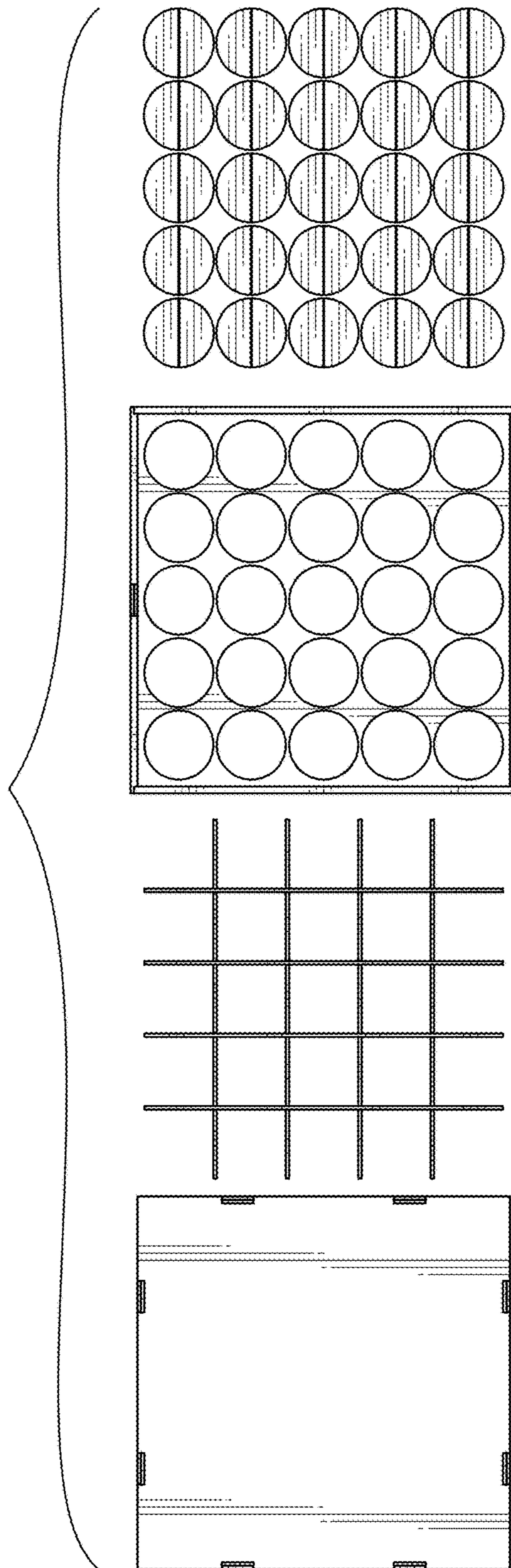


FIG. 4

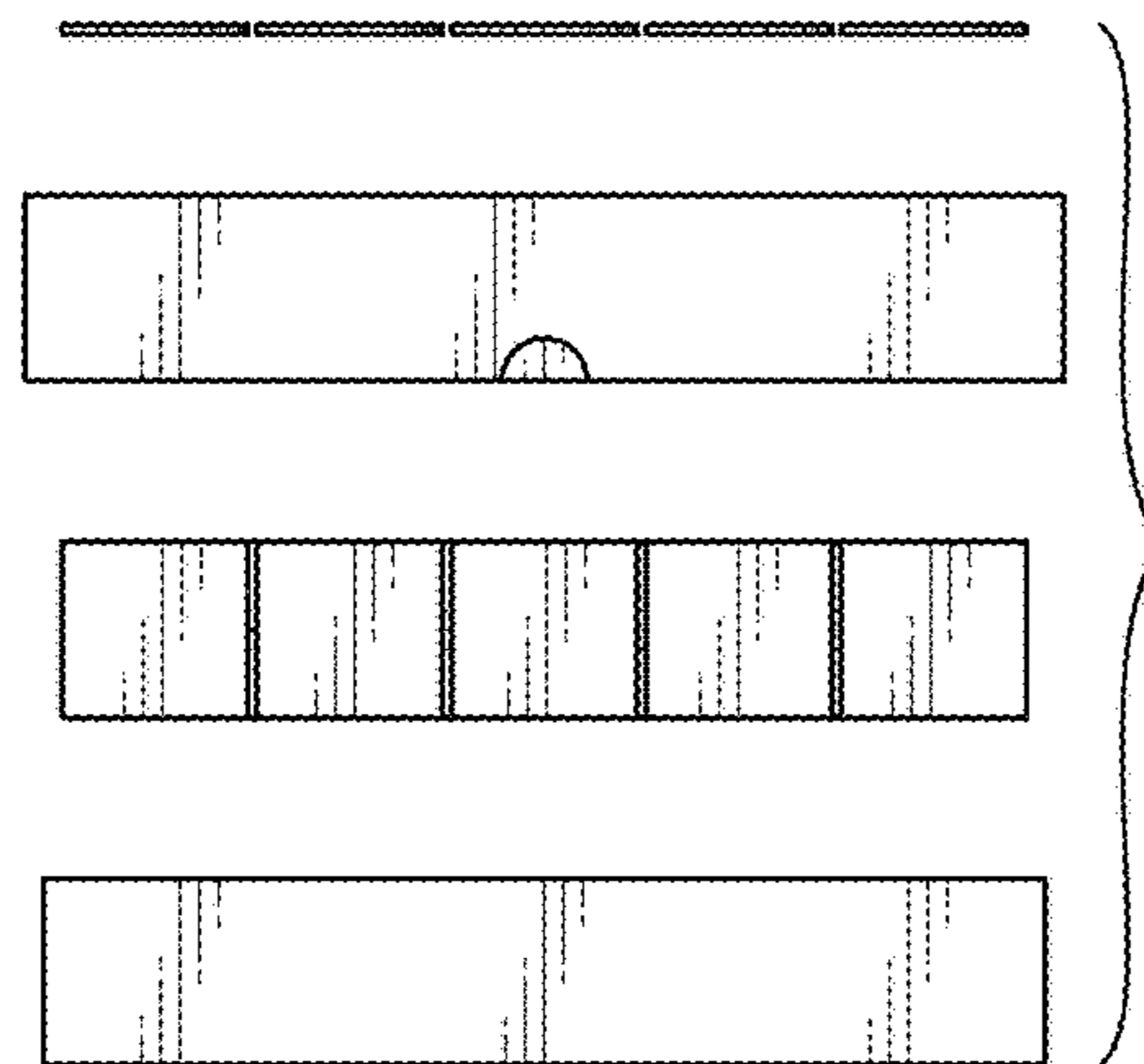


FIG. 5

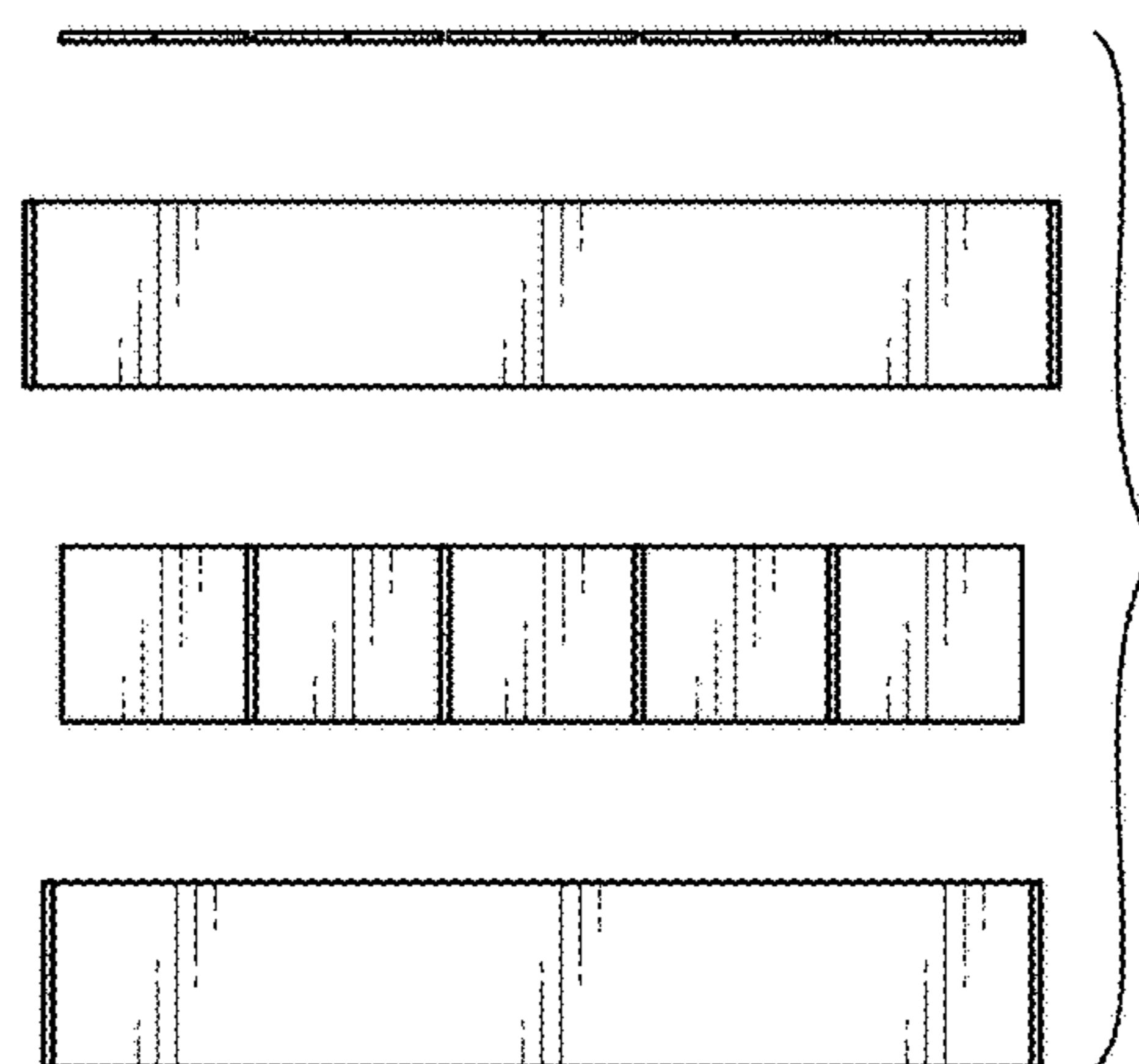


FIG. 6

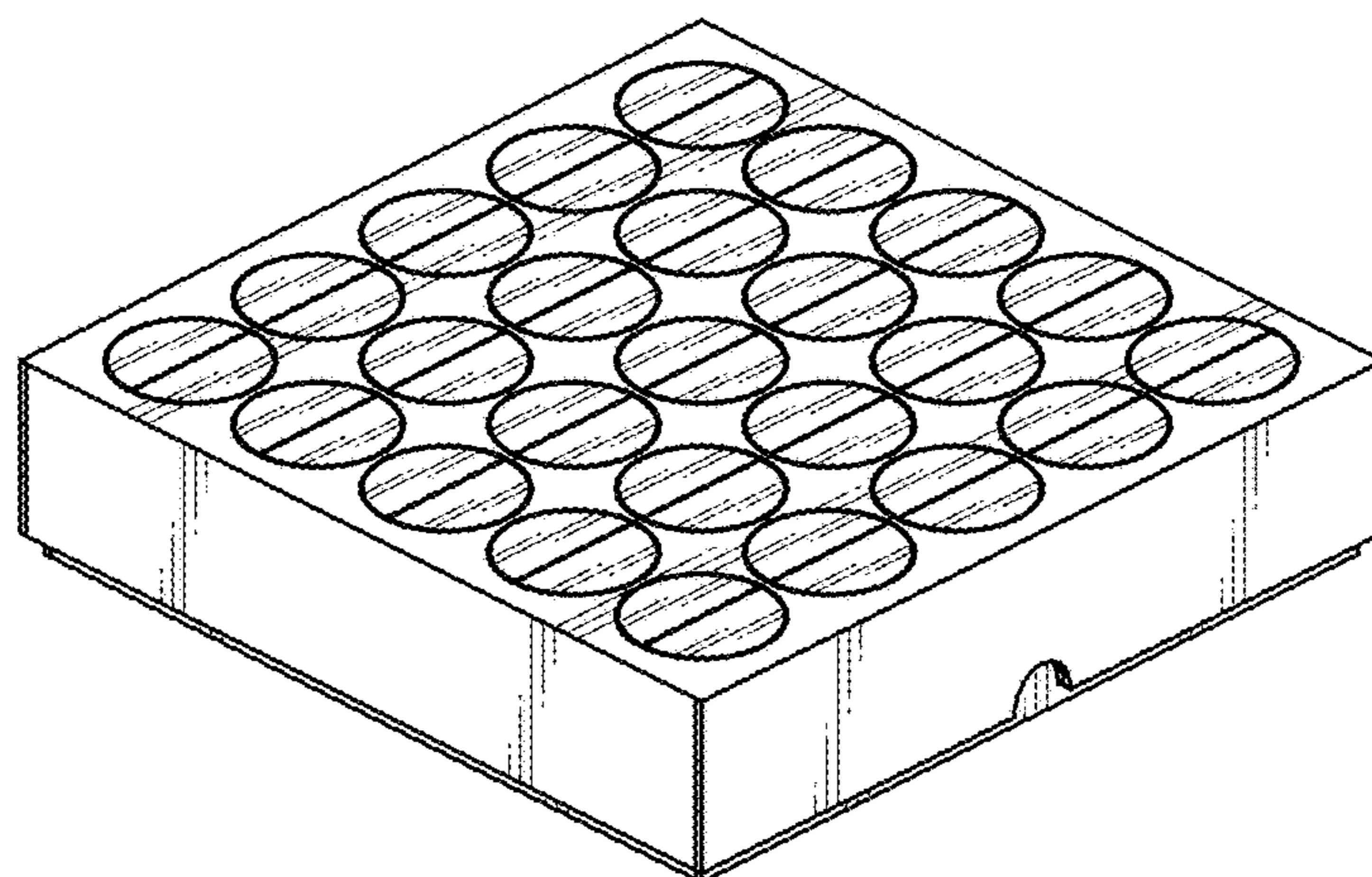


FIG. 7