



US00D817782S

(12) **United States Design Patent**  
**Odiaga Foy**

(10) **Patent No.:** **US D817,782 S**  
(45) **Date of Patent:** **\*\* May 15, 2018**

(54) **BRA STORAGE DEVICE**

D590,596 S 4/2009 Dretzka  
7,516,840 B2 \* 4/2009 Troha ..... A45C 13/03  
206/278

(71) Applicant: **Maureen Elizabeth Odiaga Foy**, Aliso Viejo, CA (US)

8,985,348 B2 3/2015 Prado  
(Continued)

(72) Inventor: **Maureen Elizabeth Odiaga Foy**, Aliso Viejo, CA (US)

**FOREIGN PATENT DOCUMENTS**

(\*\*) Term: **15 Years**

WO WO2012061892 5/2012

(21) Appl. No.: **29/589,721**

**OTHER PUBLICATIONS**

(22) Filed: **Jan. 4, 2017**

5-Section Boobie Trap Bra Organizer, available Sep. 15, 2017, [online], [site visited Jan. 15, 2018]. Available from internet, <URL: [https://www.containerstore.com/s/closet/closet-drawer-organizers/5-section-boobie-trap-bra-organizer/12d?productId=11005598&country=US&currency=USD&utm\\_\\*](https://www.containerstore.com/s/closet/closet-drawer-organizers/5-section-boobie-trap-bra-organizer/12d?productId=11005598&country=US&currency=USD&utm_*)>

(51) **LOC (11) Cl.** ..... **09-03**

(52) **U.S. Cl.**  
USPC ..... **D9/756; D3/313**

(58) **Field of Classification Search**  
USPC ..... D9/756, 737; D3/304, 313, 315; 206/279, 292, 278, 45.24, 45.25, 515, 206/717, 470, 526, 462, 740, 741; 223/84, 120, 66; 211/85.3, 119.004, 113, 211/118, 35  
CPC ..... A45C 13/03; A45C 2013/026; A47F 7/19; A47G 2025/1492; A47G 25/00; B65D 85/18; A41H 5/00  
See application file for complete search history.

*Primary Examiner* — Cathron Brooks  
*Assistant Examiner* — Teddy Falloway

(57) **CLAIM**

The ornamental design for a bra storage device, as shown and described.

**DESCRIPTION**

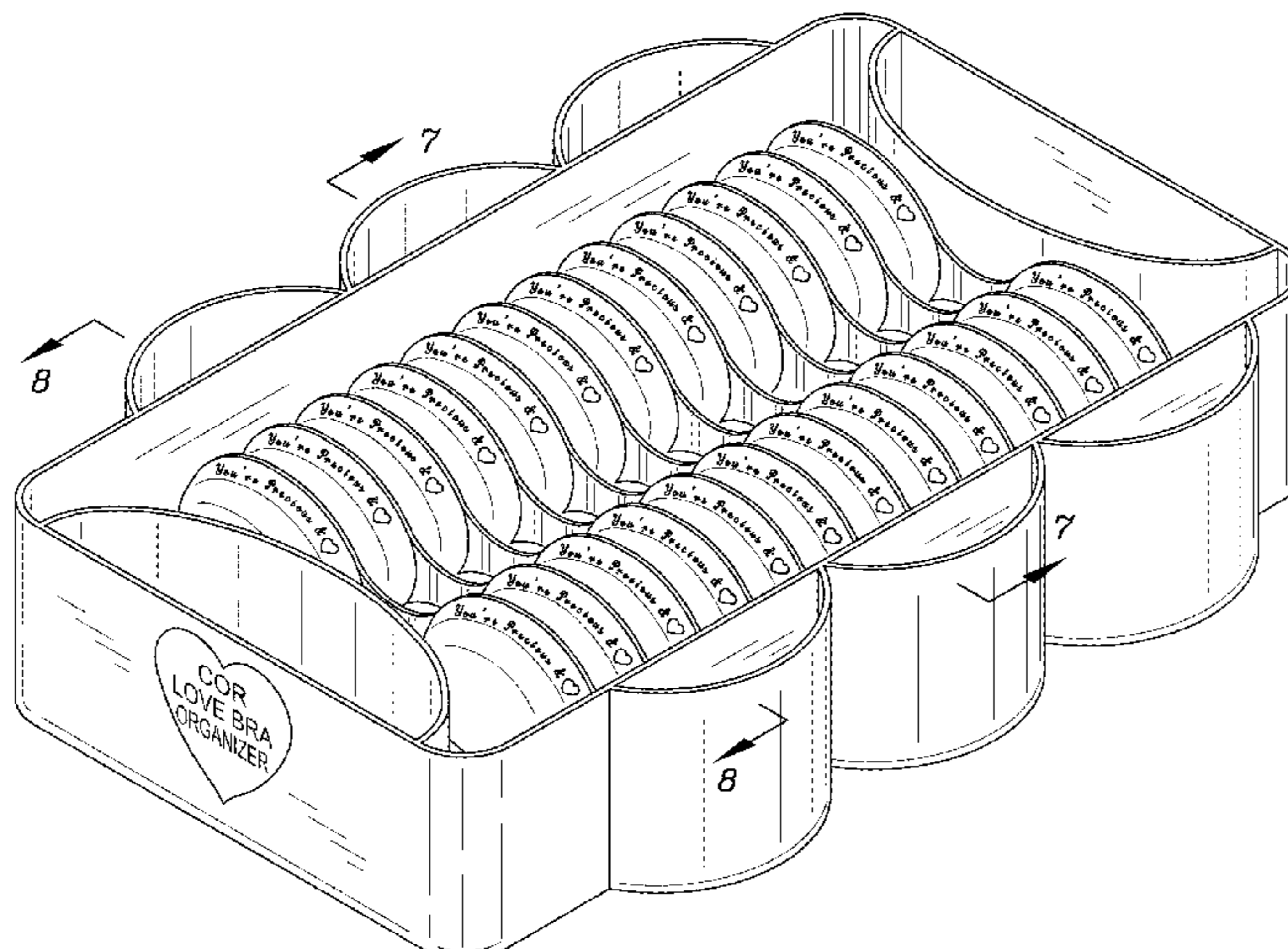
FIG. 1 is a front view of a bra storage device showing my new design;  
FIG. 2 is a rear view of the bra storage device;  
FIG. 3 is a left side view of the bra storage device, a right side view being a mirror image thereof;  
FIG. 4 is a top view of the bra storage device;  
FIG. 5 is a bottom view of the bra storage device;  
FIG. 6 is a top front side perspective view of the bra storage device;  
FIG. 7 is a cross-sectional view taken along line 7-7 of FIG. 6;  
FIG. 8 is a cross-sectional view taken along line 8-8 of FIG. 6; and,  
FIG. 9 is a partial cross-sectional view taken along line 9-9 of FIG. 8.

(56) **References Cited**

**U.S. PATENT DOCUMENTS**

- D68,864 S \* 11/1925 Lester ..... D3/304
- D68,865 S \* 11/1925 Lester ..... D3/304
- D68,866 S \* 11/1925 Lester ..... D3/313
- 1,642,161 A \* 9/1927 Lester ..... B60R 7/04  
206/90
- D323,766 S \* 2/1992 Robbins ..... D6/553
- D351,076 S \* 10/1994 Eliadis ..... D6/683.1
- D371,729 S \* 7/1996 White ..... D7/600.1
- D392,806 S \* 3/1998 Lee ..... D6/320
- D397,274 S \* 8/1998 Hise ..... D7/637
- D437,151 S \* 2/2001 Gerstmar ..... D3/313
- D439,085 S \* 3/2001 Quinn ..... D19/77
- D535,103 S \* 1/2007 Fischer ..... D3/315
- D571,227 S \* 6/2008 Pereira ..... D9/737
- D574,653 S \* 8/2008 Belokin ..... D6/574

**1 Claim, 7 Drawing Sheets**



(56)

**References Cited**

U.S. PATENT DOCUMENTS

8,991,665	B2	3/2015	Blaufeld	
D764,316	S *	8/2016	Fleming .....	D9/756
2006/0086740	A1 *	4/2006	Troha .....	A45C 13/03 220/529
2011/0186454	A1	8/2011	Crumpton	
2012/0292209	A1	11/2012	Willey	
2013/0334265	A1	12/2013	Avison	
2014/0299637	A1 *	10/2014	Blaufeld .....	A47F 7/19 223/66

\* cited by examiner

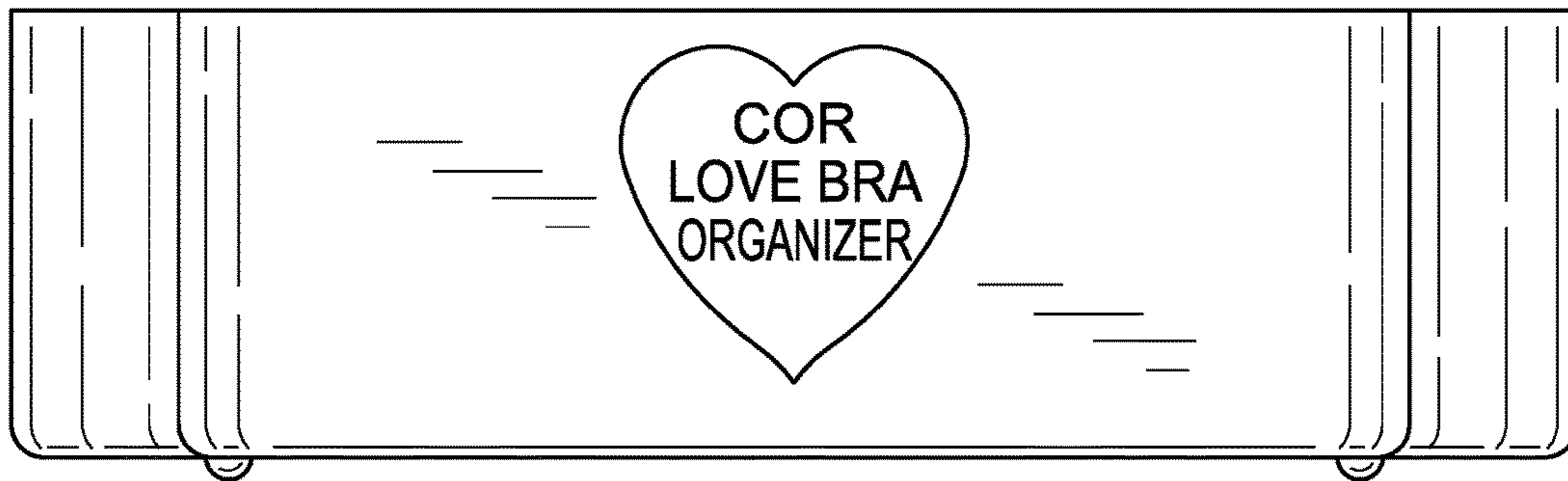


FIG. 1

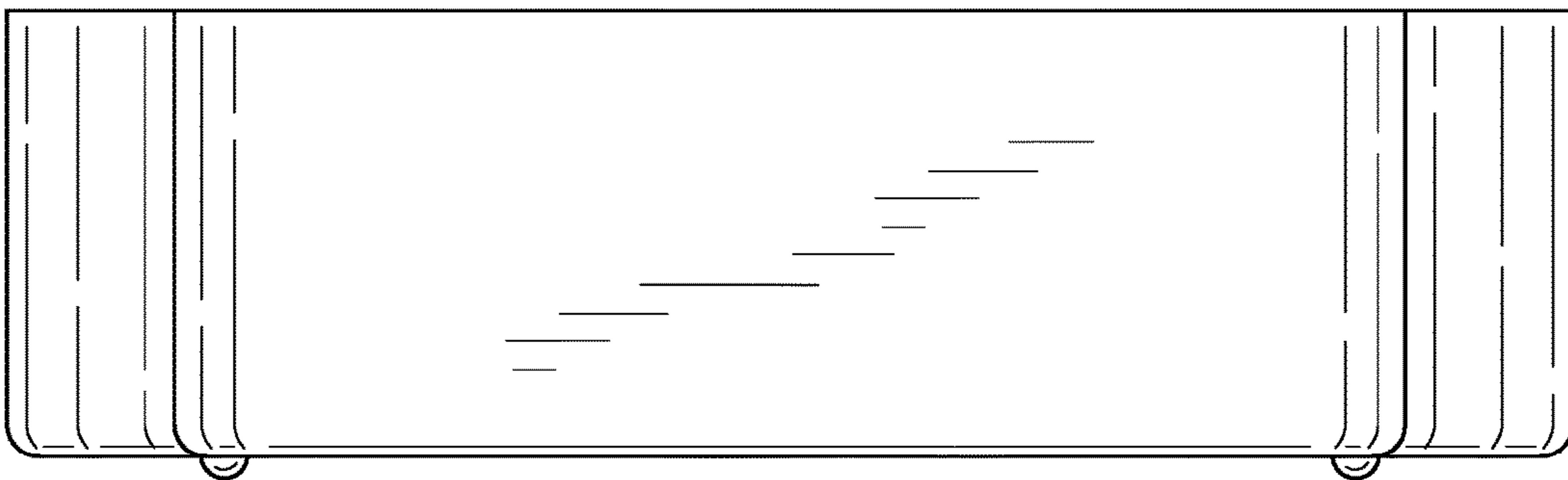


FIG. 2

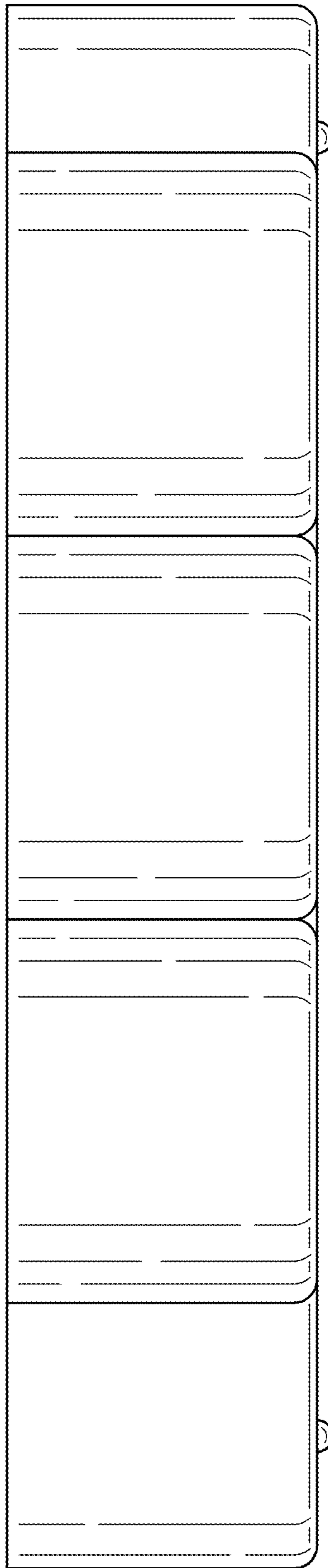


FIG. 3

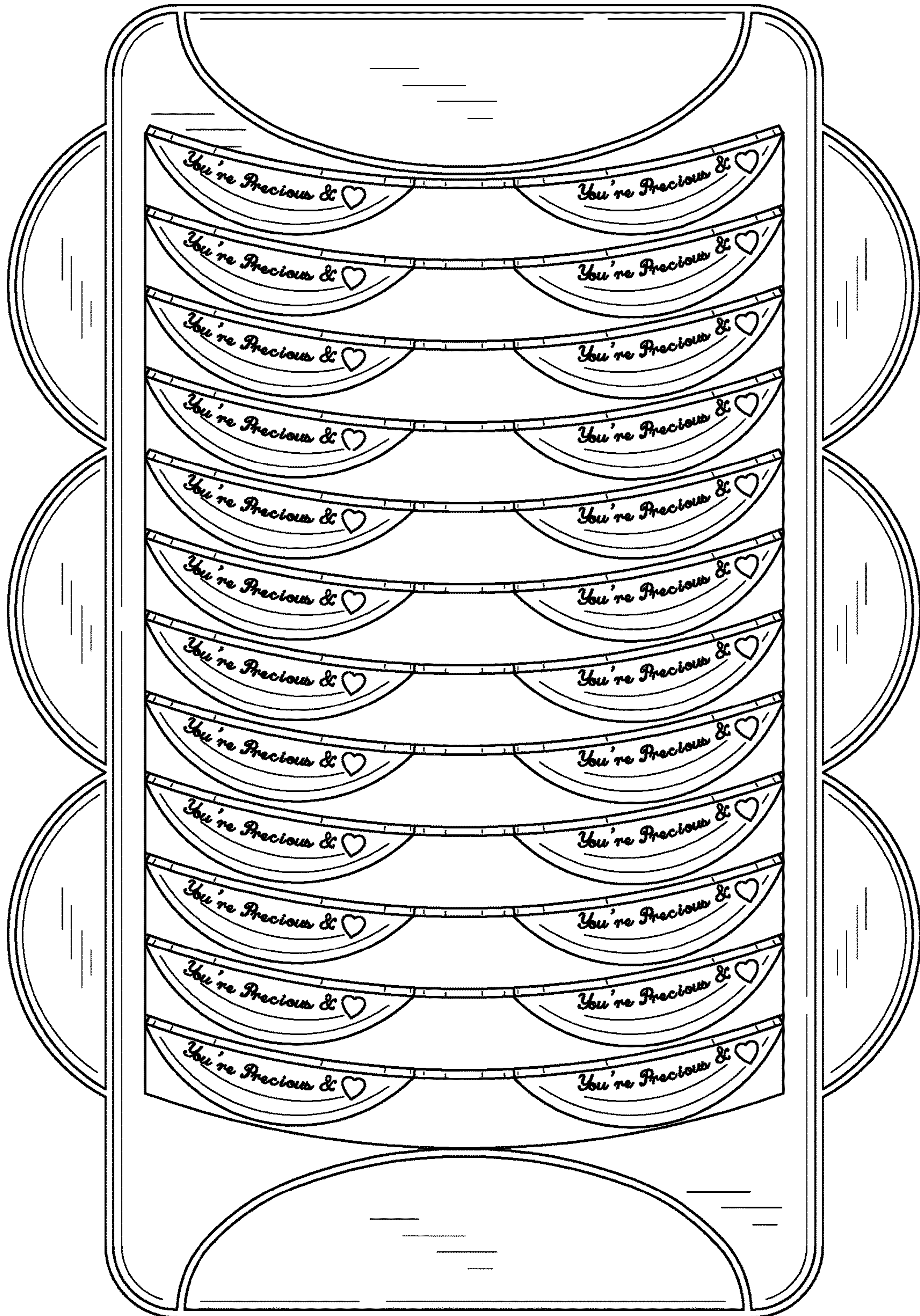


FIG. 4

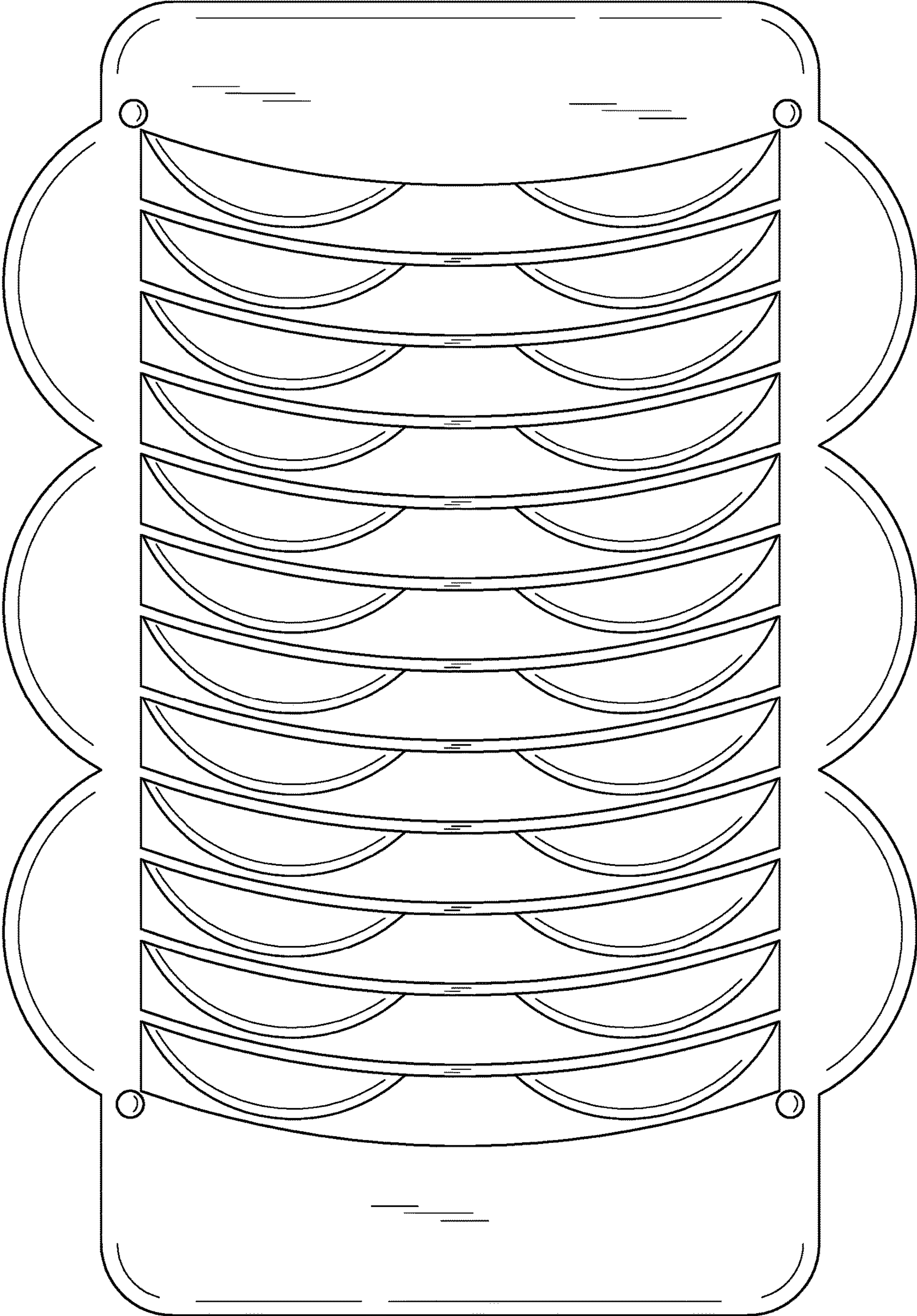


FIG. 5

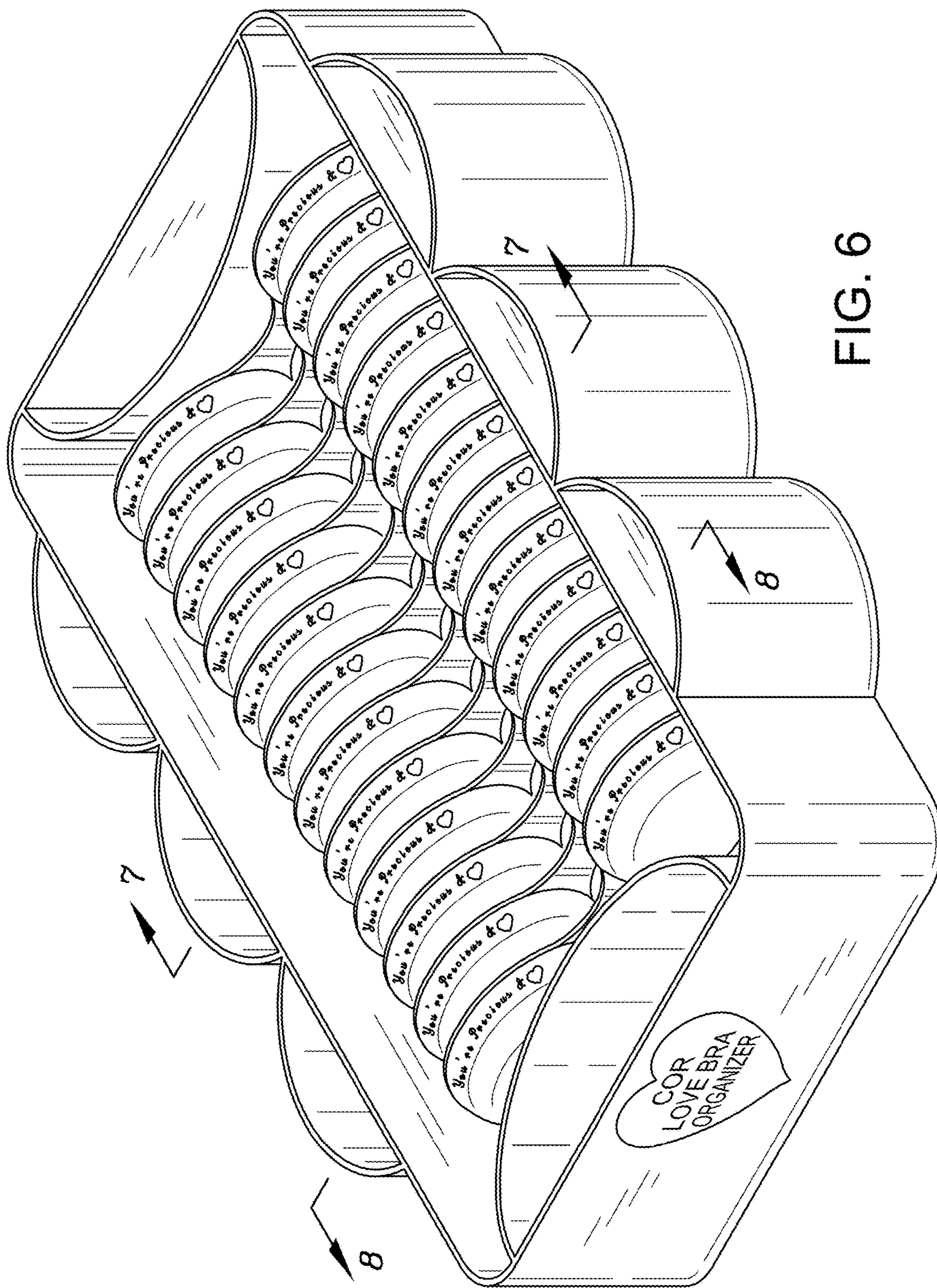


FIG. 6

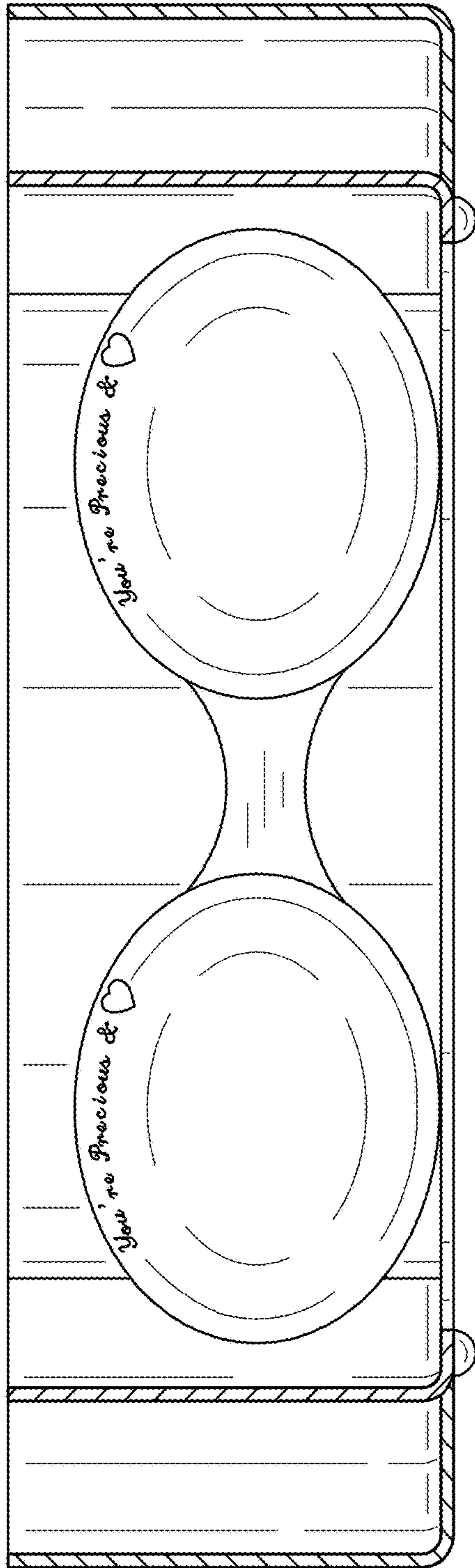


FIG. 7

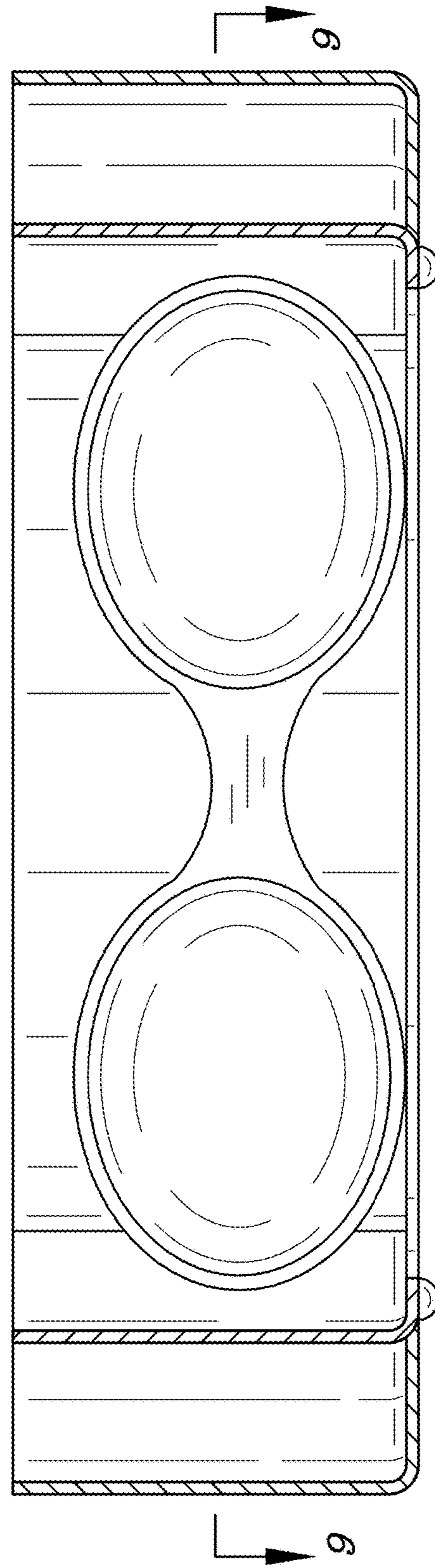


FIG. 8



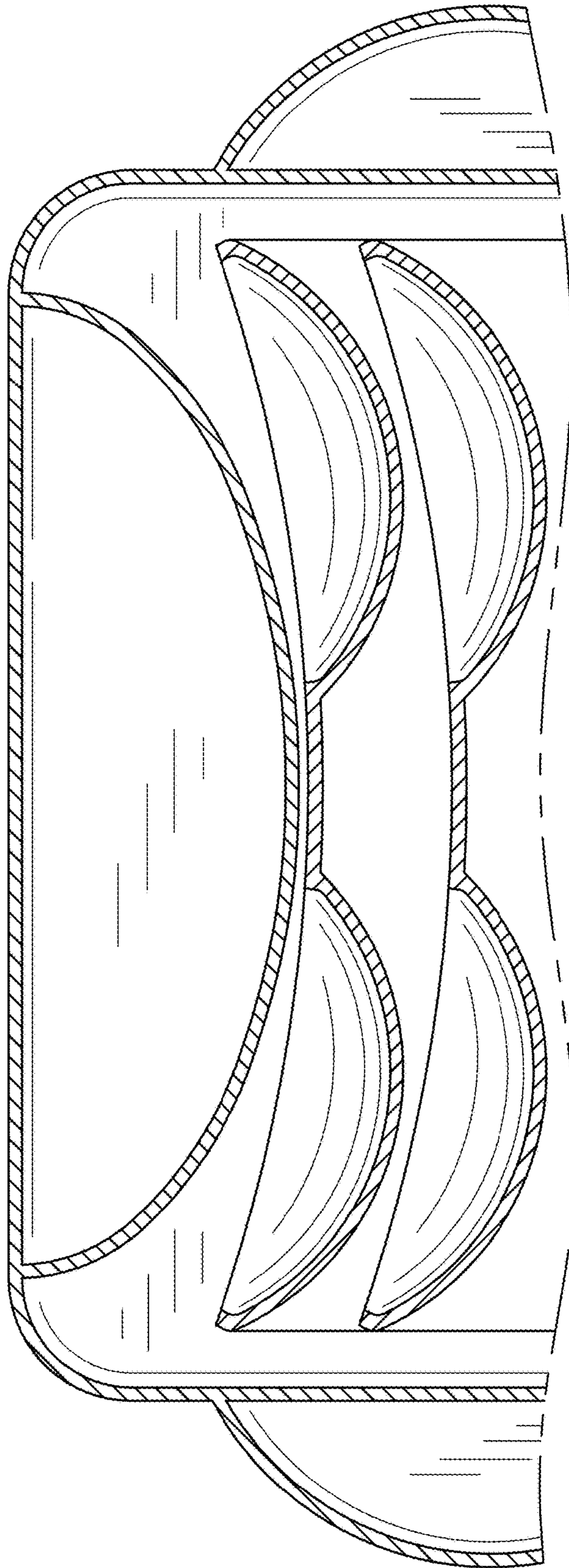


FIG. 9