



US00D817768S

(12) **United States Design Patent**  
**Yen et al.**

(10) **Patent No.:** **US D817,768 S**  
(45) **Date of Patent:** **\*\* May 15, 2018**

- (54) **CONTAINER**
- (71) Applicant: **YUEN FOONG YU CONSUMER PRODUCTS CO., LTD.**, Taipei (TW)
- (72) Inventors: **Ching-Wen Yen**, Taipei (TW); **Nelson Bilodeau**, Taipei (TW)
- (73) Assignee: **YUEN FOONG YU CONSUMER PRODUCTS CO., LTD.**, Taipei (TW)

D692,769 S *	11/2013	Corbett	.....	D9/531
D694,635 S *	12/2013	Corbett	.....	D9/531
D723,928 S *	3/2015	Holden	.....	D9/528
D739,749 S *	9/2015	Bhattacharyya	.....	D9/523
D749,960 S *	2/2016	Bhattacharyya	.....	D9/435
D752,986 S *	4/2016	Bos	.....	D9/541
D767,402 S *	9/2016	Bhattacharyya	.....	D9/435
D784,552 S *	4/2017	Onishi	.....	D24/224
D786,682 S *	5/2017	Bos	.....	D9/529
D787,942 S *	5/2017	Bos	.....	D9/528
D787,944 S *	5/2017	Bos	.....	D9/530
D788,590 S *	6/2017	Bos	.....	D9/530

(\*\*) Term: **15 Years**

(21) Appl. No.: **29/562,814**

(22) Filed: **Apr. 29, 2016**

(30) **Foreign Application Priority Data**

Nov. 24, 2015 (TW) ..... 104306535

(51) **LOC (11) Cl.** ..... **09-01**

(52) **U.S. Cl.**  
USPC ..... **D9/530; D9/563; D9/575**

(58) **Field of Classification Search**  
USPC ..... D9/516, 520, 528, 530, 531, 533, 560,  
D9/563, 572, 575, 715, 745  
CPC . B65D 85/00; B65D 1/12; B65D 1/18; B65D  
1/20; B65D 21/0237; F16N 3/04  
See application file for complete search history.

(56) **References Cited**

**U.S. PATENT DOCUMENTS**

D342,140 S *	12/1993	Sakagami	.....	D24/224
D376,761 S *	12/1996	Lathrop	.....	D9/528
D424,946 S *	5/2000	Alsup	.....	D9/528
D527,268 S *	8/2006	Kitamura	.....	D9/528
D645,754 S *	9/2011	Corbett	.....	D9/452
D652,304 S *	1/2012	Heath	.....	D9/523
D687,305 S *	8/2013	Juna	.....	D9/528
D692,768 S *	11/2013	Corbett	.....	D9/531

**FOREIGN PATENT DOCUMENTS**

TW	461789	10/2001
TW	D137983	12/2010

\* cited by examiner

*Primary Examiner* — Ian Simmons

*Assistant Examiner* — Keith Frank

(74) *Attorney, Agent, or Firm* — Chieh-Mei Wang

(57) **CLAIM**

The ornamental design for a container, as shown and described.

**DESCRIPTION**

FIG. 1 is a perspective view of a container showing the new design;

FIG. 2 is a front view thereof;

FIG. 3 is a rear view thereof;

FIG. 4 is a right side view thereof;

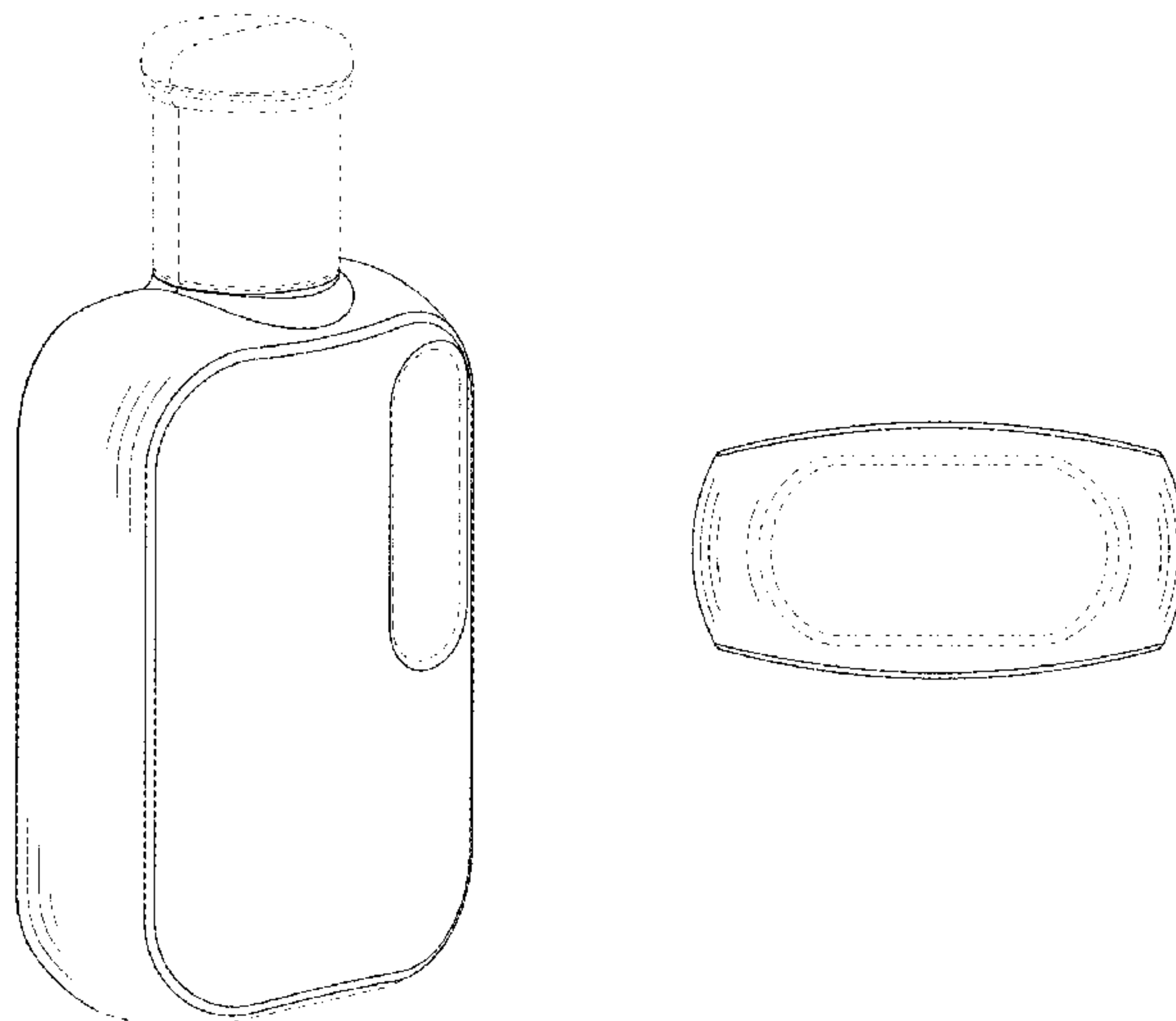
FIG. 5 is a left side view thereof;

FIG. 6 is a bottom view thereof; and,

FIG. 7 is a top view thereof.

The broken lines in the drawings showing the container illustrate the portions of the container that form no part of the claim.

**1 Claim, 7 Drawing Sheets**



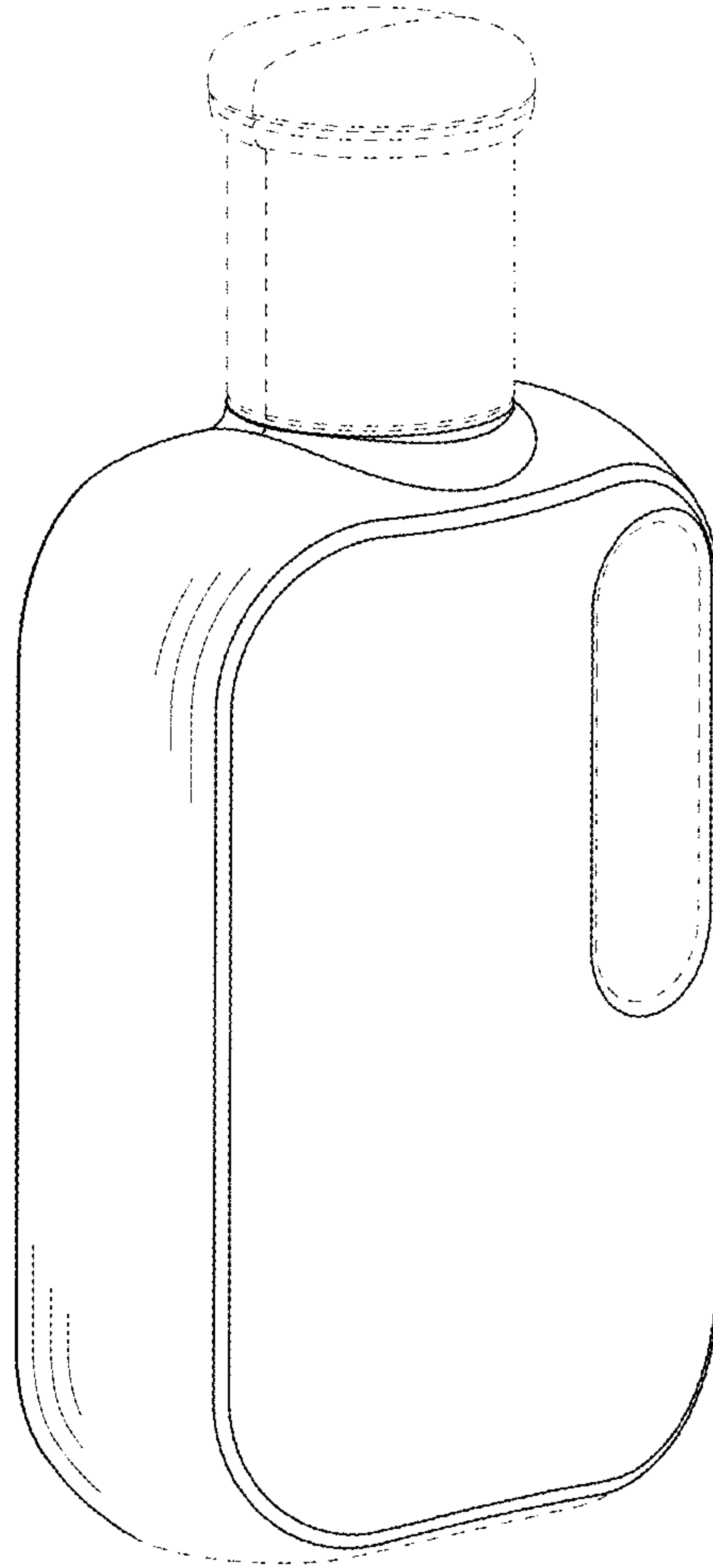


FIG. 1

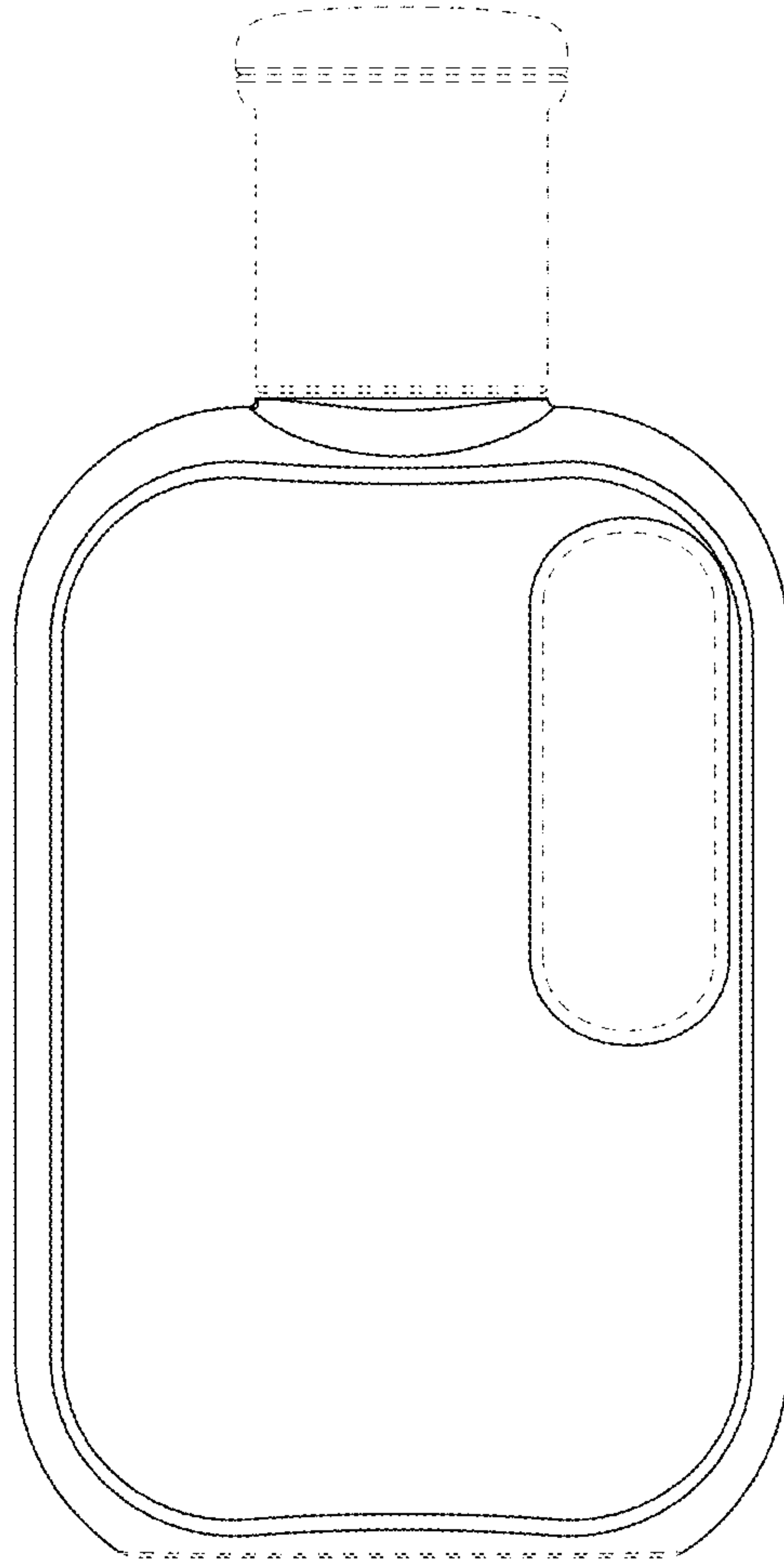


FIG. 2

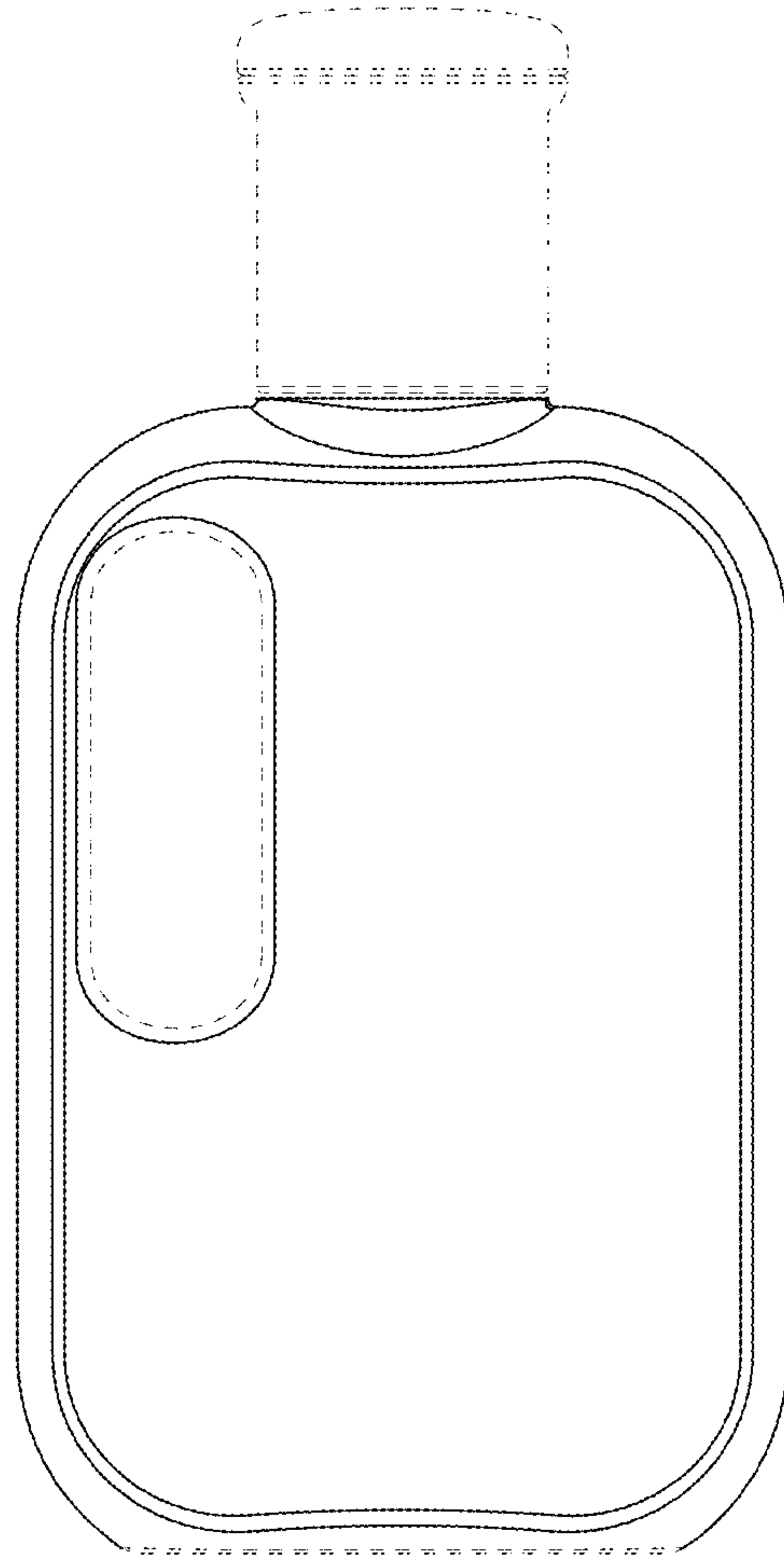


FIG. 3

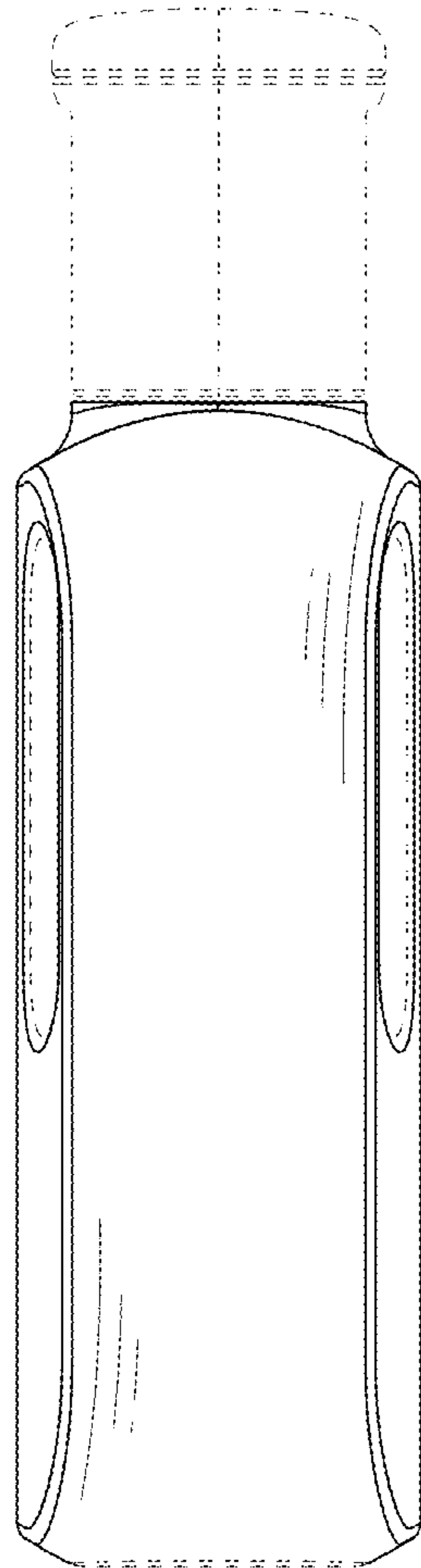


FIG. 4

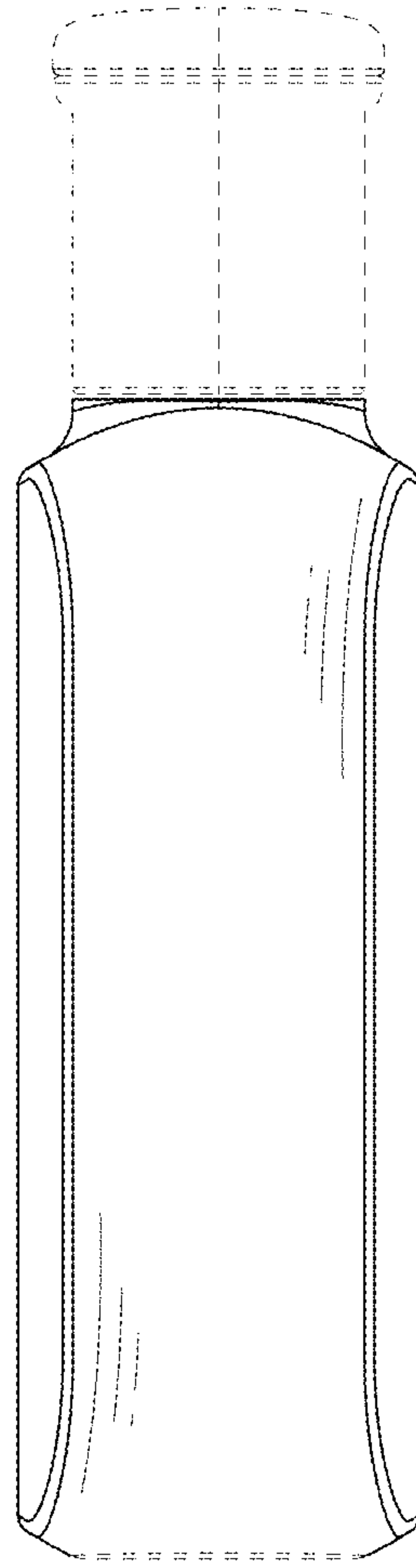


FIG. 5

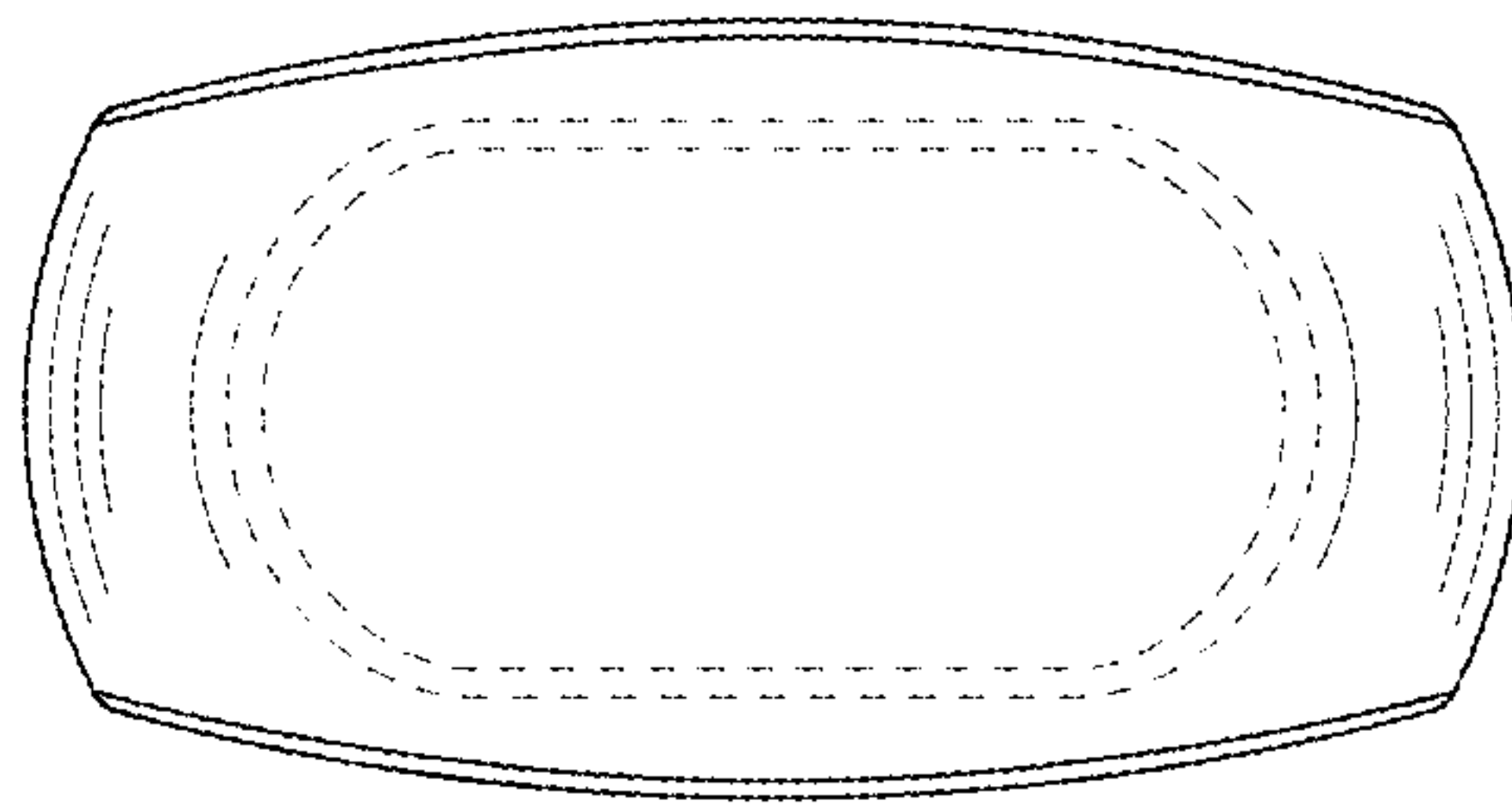


FIG. 6

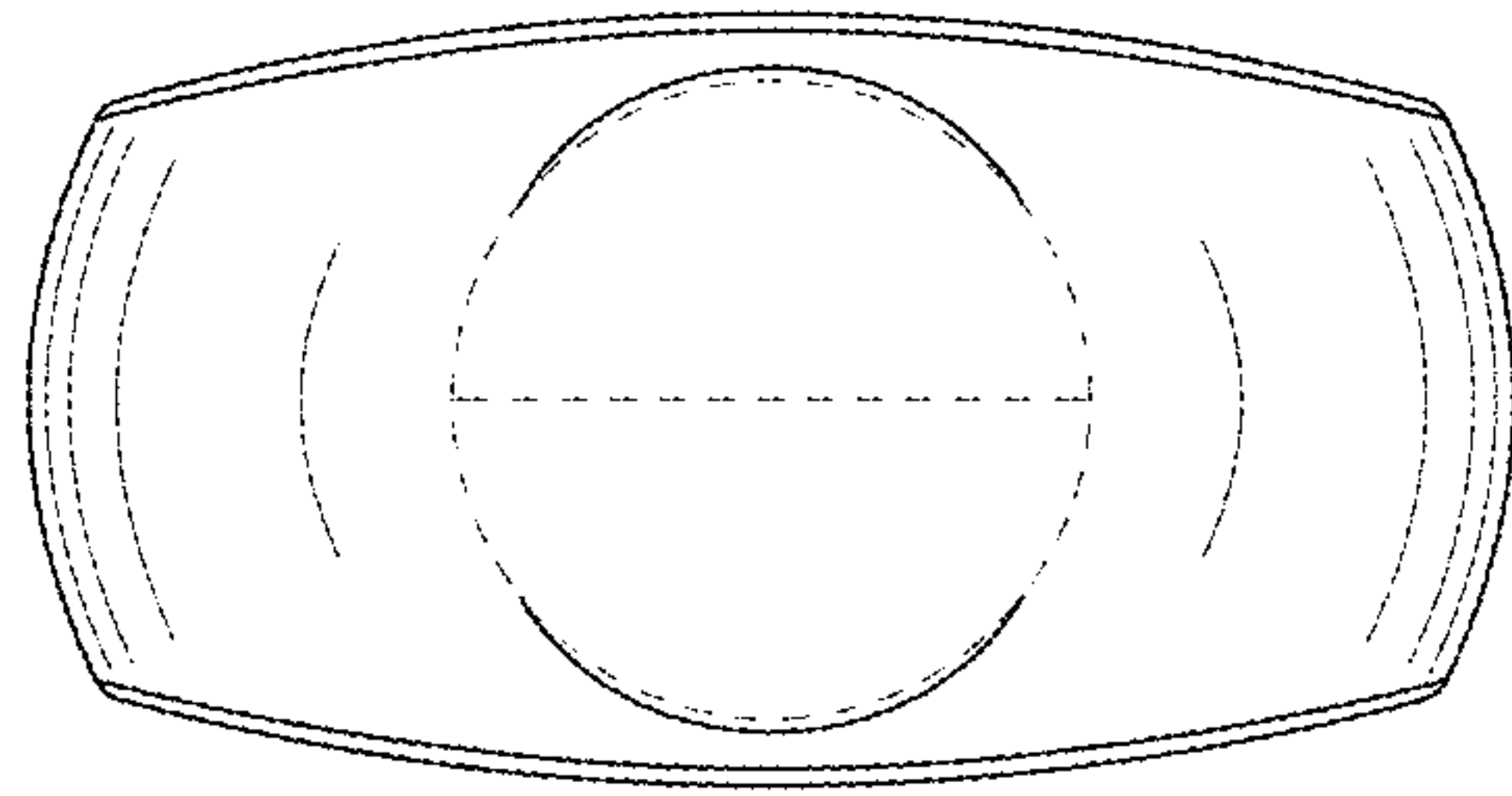


FIG. 7