



US00D817767S

(12) **United States Design Patent** (10) **Patent No.:** **US D817,767 S**
Arnold et al. (45) **Date of Patent:** **** May 15, 2018**

(54) **CONTAINER**
(71) Applicant: **Leprino Performance Brands LLC**,
Denver, CO (US)
(72) Inventors: **Mike Arnold**, Denver, CO (US); **Paul
Vraciu**, Denver, CO (US); **Elizabeth
Marie Barrett**, Newburgh, IN (US);
Scott Lee Fisher, Evansville, IN (US)

D645,350 S * 9/2011 Degeyter D9/454
8,042,704 B2 10/2011 Borowski et al.
8,308,008 B2 11/2012 Perry et al.
8,590,732 B2 11/2013 Vandamme et al.
8,757,421 B2 6/2014 Yang et al.
8,833,584 B2 9/2014 Groubert
2001/0035424 A1* 11/2001 Combe B29C 45/14336
220/835
2002/0190112 A1* 12/2002 Culeron B65D 5/42
229/145

(Continued)

(73) Assignee: **Leprino Performance Brands LLC**,
Denver, CO (US)

(**) Term: **15 Years**

(21) Appl. No.: **29/590,741**

(22) Filed: **Jan. 12, 2017**

(51) **LOC (11) Cl.** **09-01**

(52) **U.S. Cl.**
USPC **D9/529**; D9/420; D9/432

(58) **Field of Classification Search**
USPC D7/396.1, 538-542, 602, 608, 629;
D9/414, 424-429, 432, 529, 761;
206/499, 508, 557; 220/23.4, 23.6, 315,
220/500, 659, 669, 674, 675, 696, 752,
220/760, 790, 793; 229/105, 117.09,
229/117.26, 189, 406, 407, 902, 905
CPC ... B65D 1/34; B65D 1/36; B65D 1/40; B65D
25/04; B65D 43/00; B65D 43/02; B65D
81/34; B65D 81/3446; B65D 2543/00;
B65D 2581/34
See application file for complete search history.

(56) **References Cited**

U.S. PATENT DOCUMENTS

D382,810 S * 8/1997 Aldrich D9/529
5,706,974 A 1/1998 Murdick et al.
5,785,179 A 7/1998 Buczwinski et al.
D484,797 S * 1/2004 Kipperman D9/424
7,040,500 B2 5/2006 Kipperman et al.
7,175,041 B2 2/2007 Ekkert
7,562,786 B2 7/2009 Morrison
D620,368 S * 7/2010 Pedersen D9/529

OTHER PUBLICATIONS

Edge “Pure Milk Protein Powder, Creamy Vanilla, 1.71b (Formerly
EAS Lean 15)”, retrieved on Dec. 13, 2016 from the internet: <
https://www.amazon.com/EAS-AdvantEDGE-Protein-Formerly-Packaging/dp/B00WE0AWM0/ref=sr_1_fkmr2_1_a_it?ie=UTF8&qid=1481664238&sr=8-1-fkmr2&keywords=edge%2Bpure%2Bmilk%2Bpowder%2Bcreamy%2Bvanilla&th=1>.

Primary Examiner — Derrick E Holland

Assistant Examiner — Janice Julia Patyk

(74) *Attorney, Agent, or Firm* — Kilpatrick Townsend &
Stockton LLP

(57) **CLAIM**

The ornamental design for a container, as shown and
described.

DESCRIPTION

FIG. 1 is a front perspective view of a container, showing
our new design.

FIG. 2 is a front view of the container.

FIG. 3 is a back view of the container.

FIG. 4 is a right side view of the container.

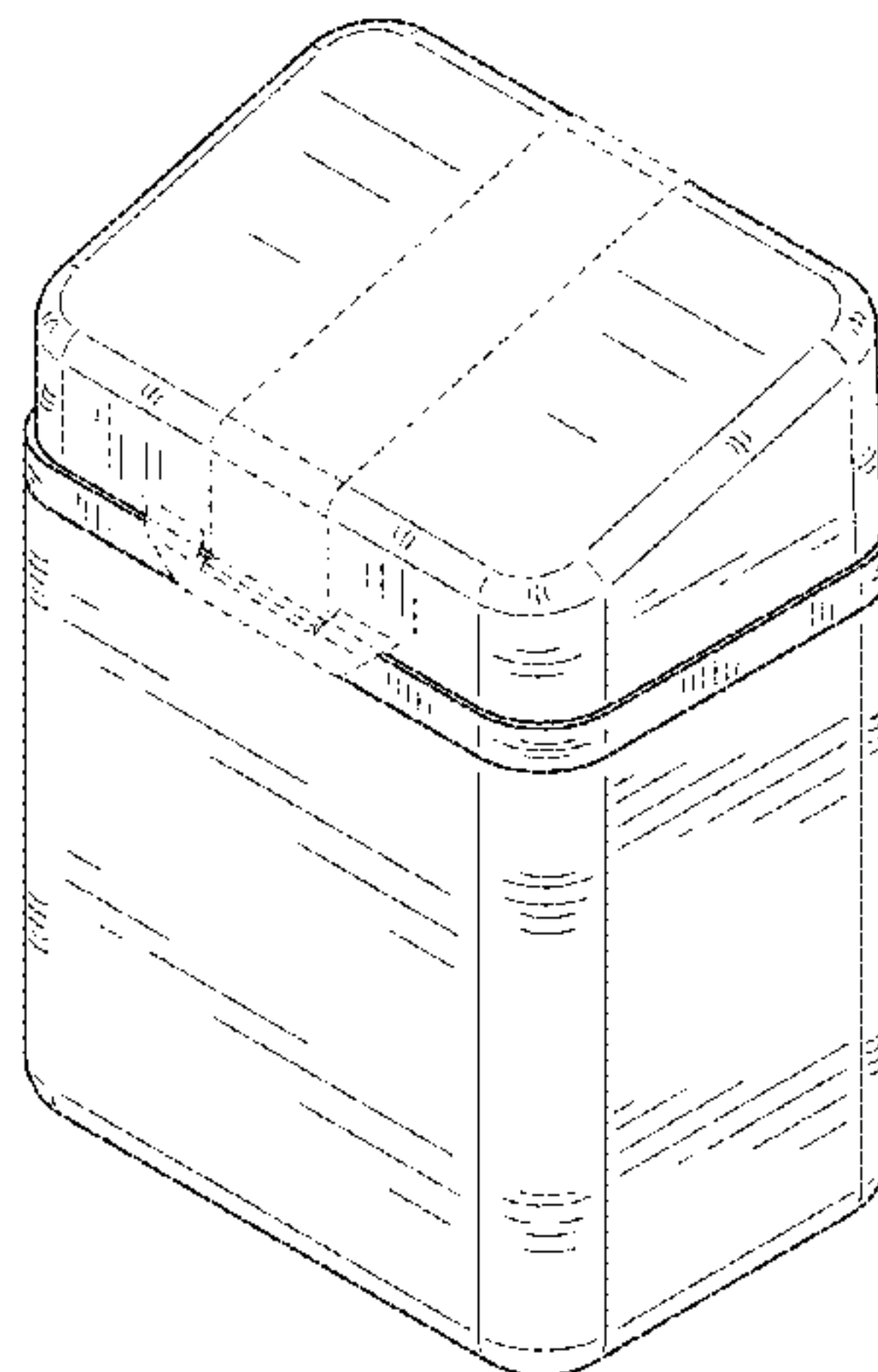
FIG. 5 is a left side view of the container.

FIG. 6 is a top view of the container; and,

FIG. 7 is a bottom view of the container.

The features shown in broken lines in the drawings depict
environmental subject matter only and form no part of the
claimed design.

1 Claim, 6 Drawing Sheets



(56)

References Cited

U.S. PATENT DOCUMENTS

2008/0041861 A1 2/2008 Crawford et al.
2010/0308066 A1* 12/2010 Perry B65D 25/2897
220/810
2011/0315686 A1 12/2011 Siddiqui et al.
2014/0151389 A1 6/2014 Melia
2015/0197381 A1 7/2015 Valenti et al.
2015/0210450 A1 7/2015 Mercado et al.

* cited by examiner

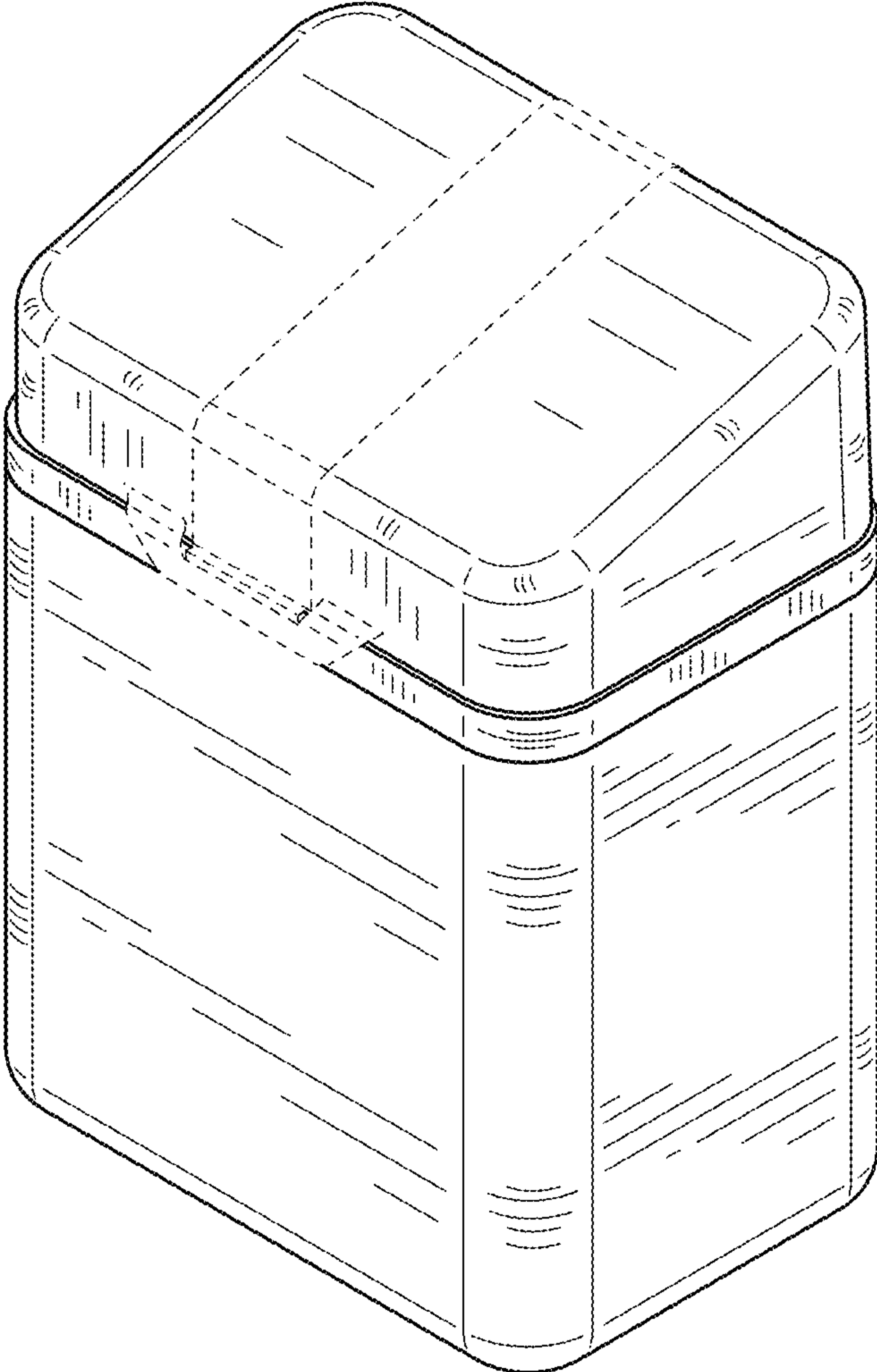


FIG.1

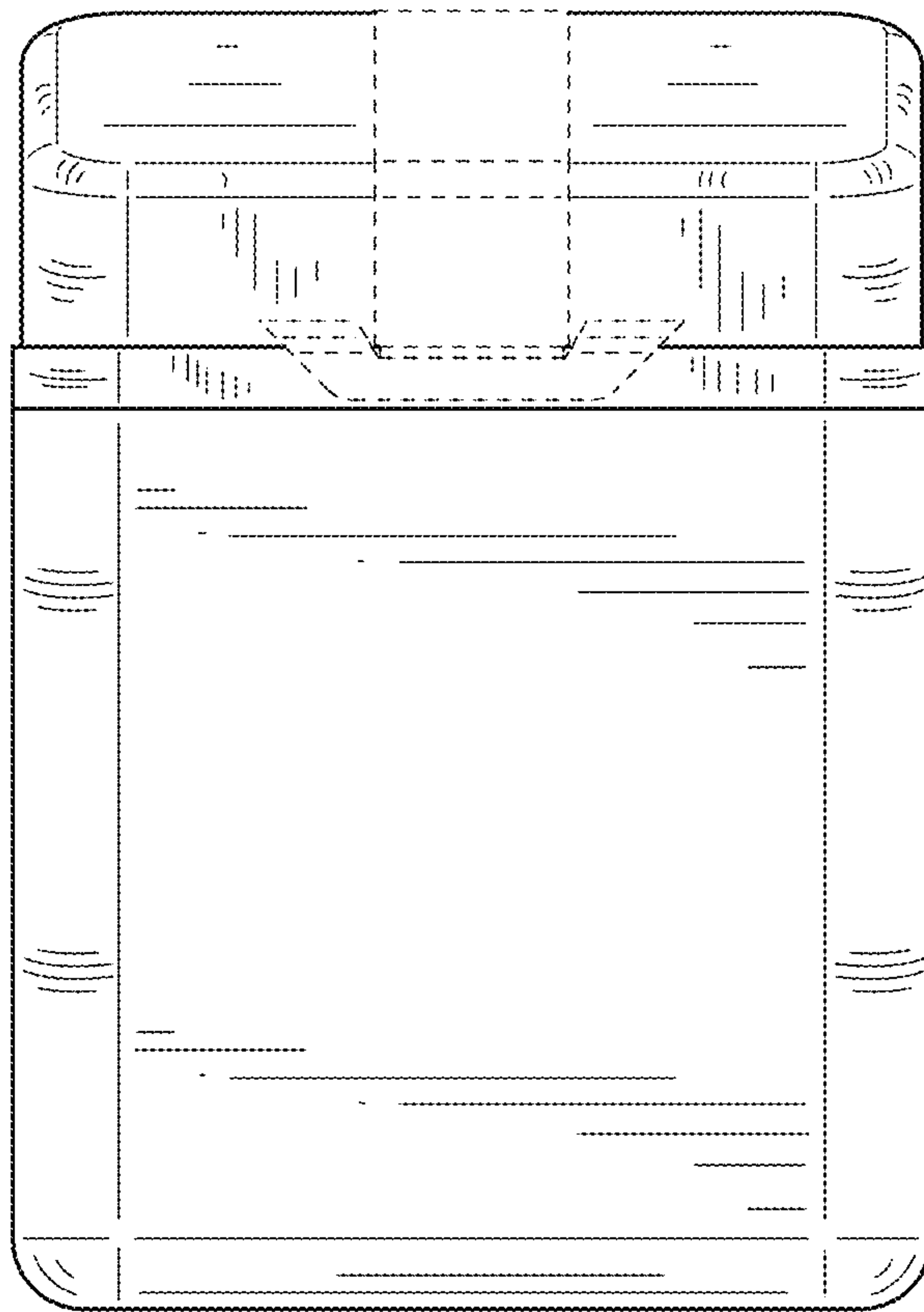


FIG.2

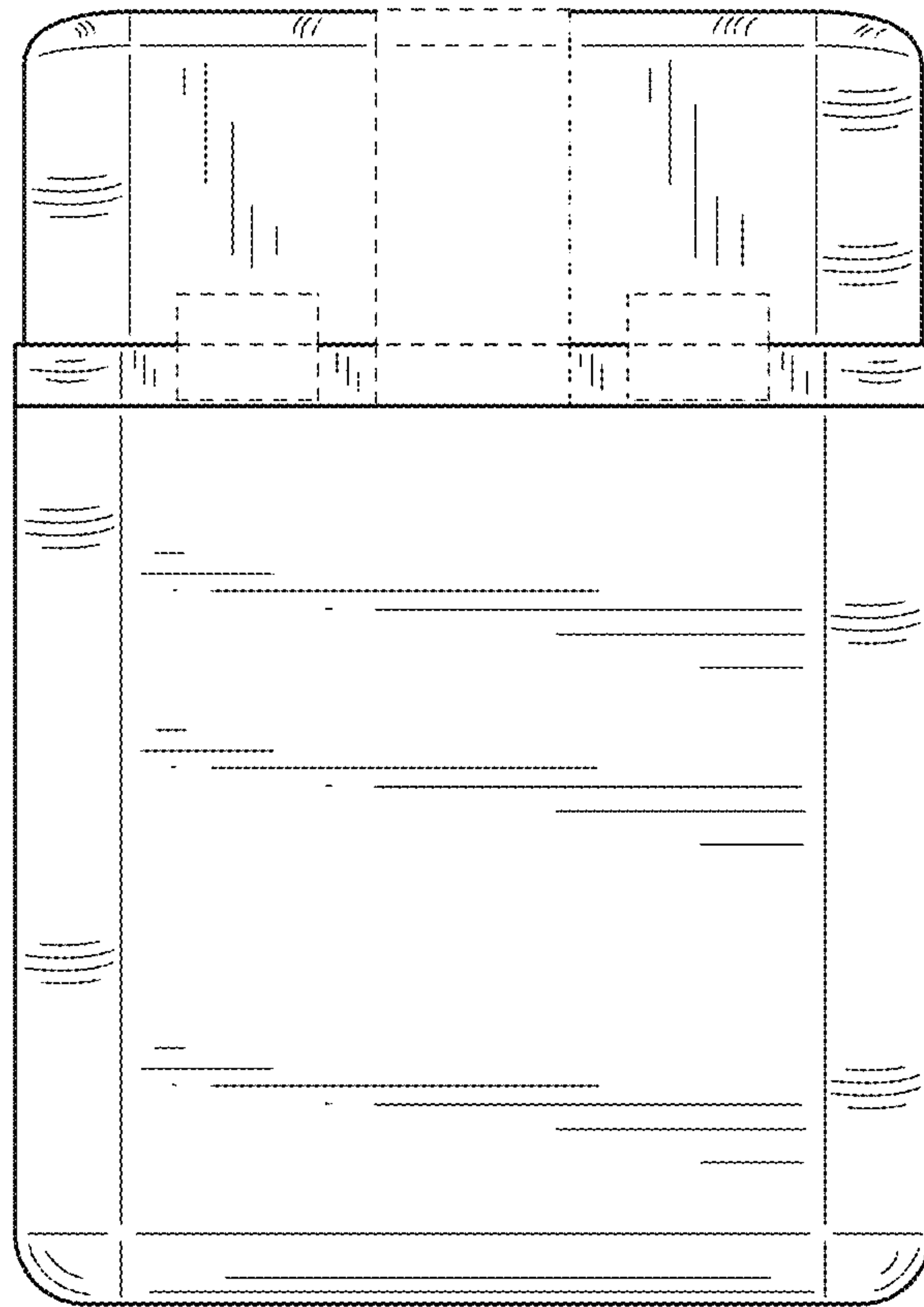


FIG.3

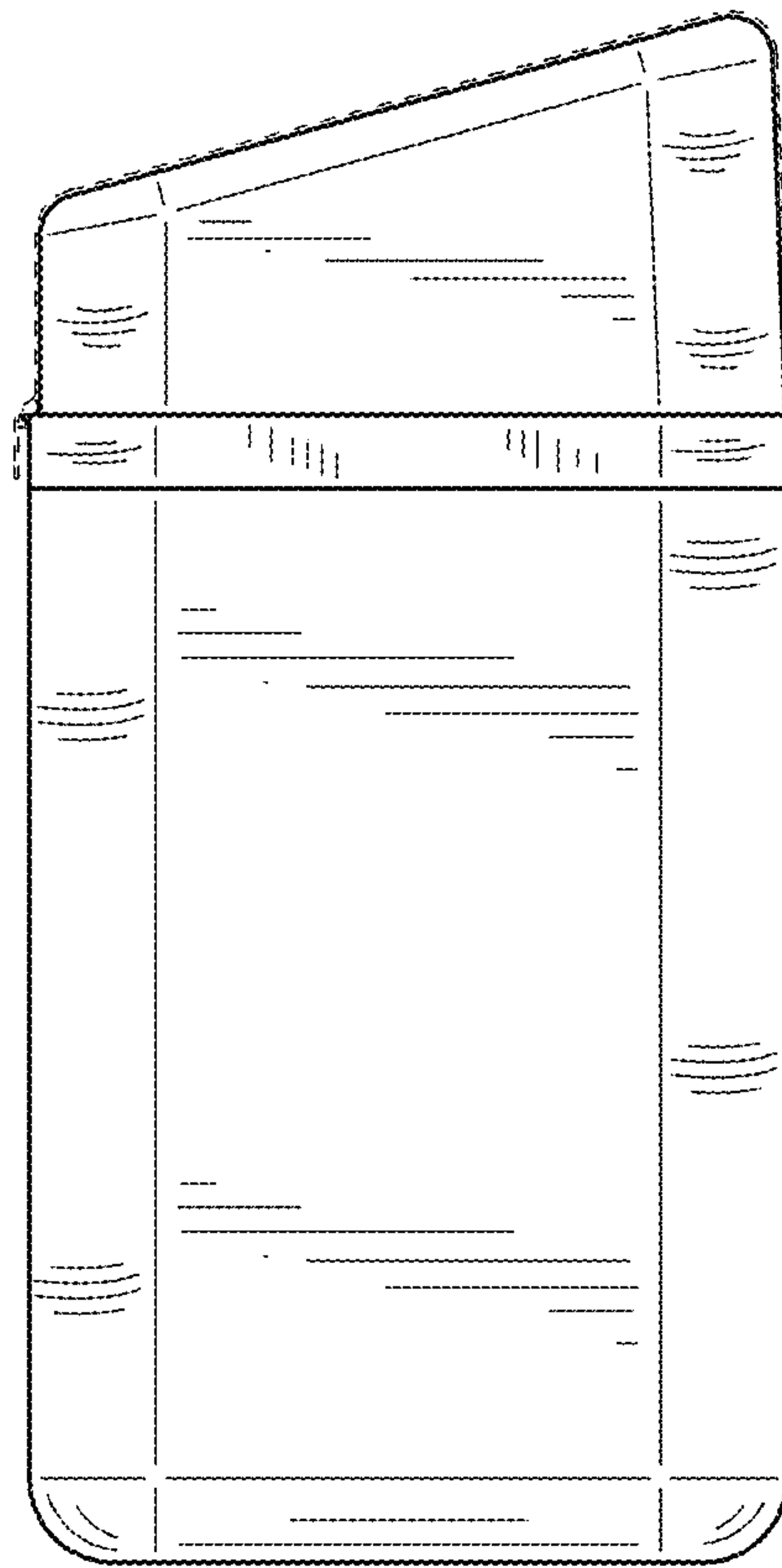


FIG.4

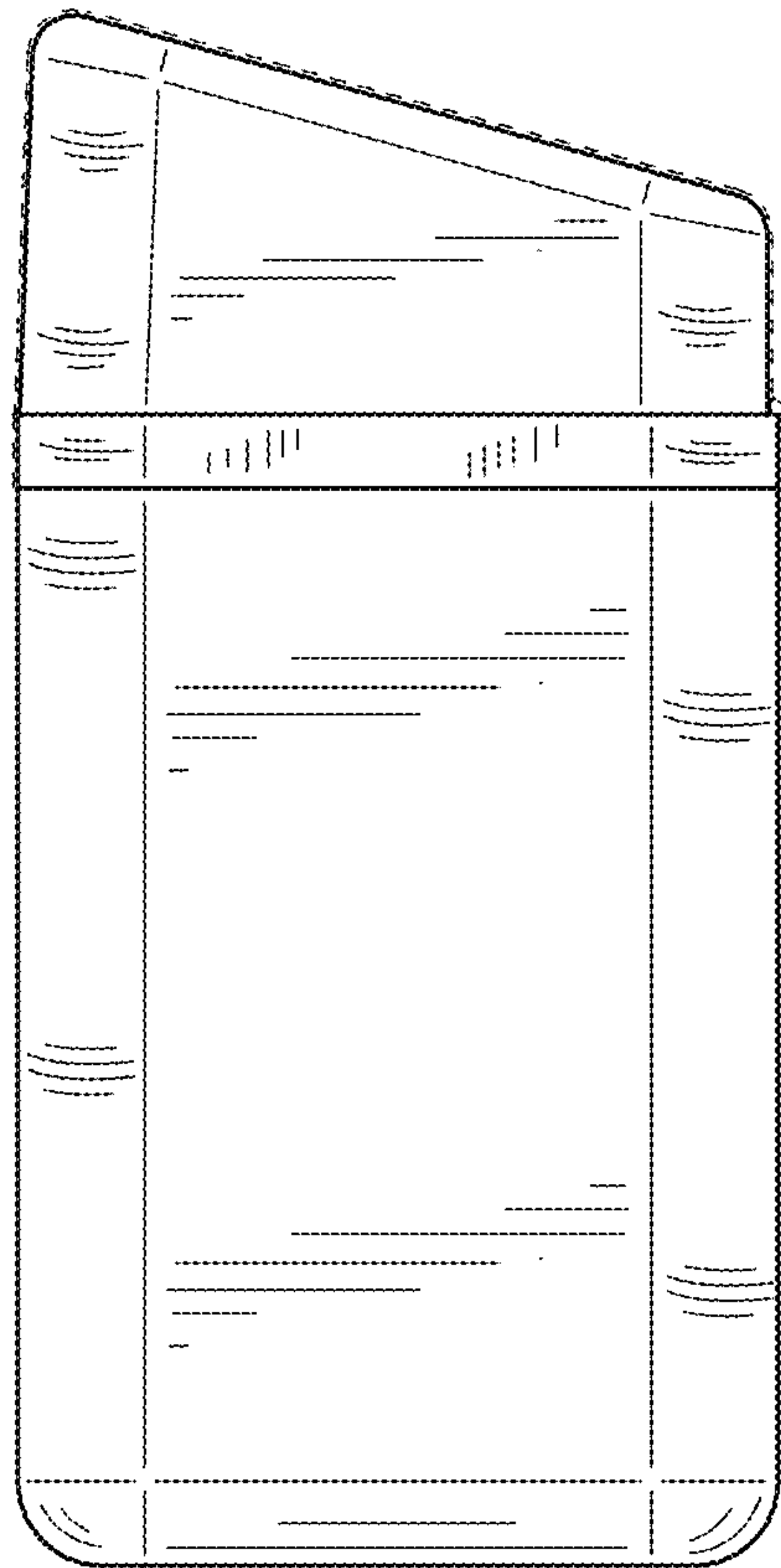


FIG.5

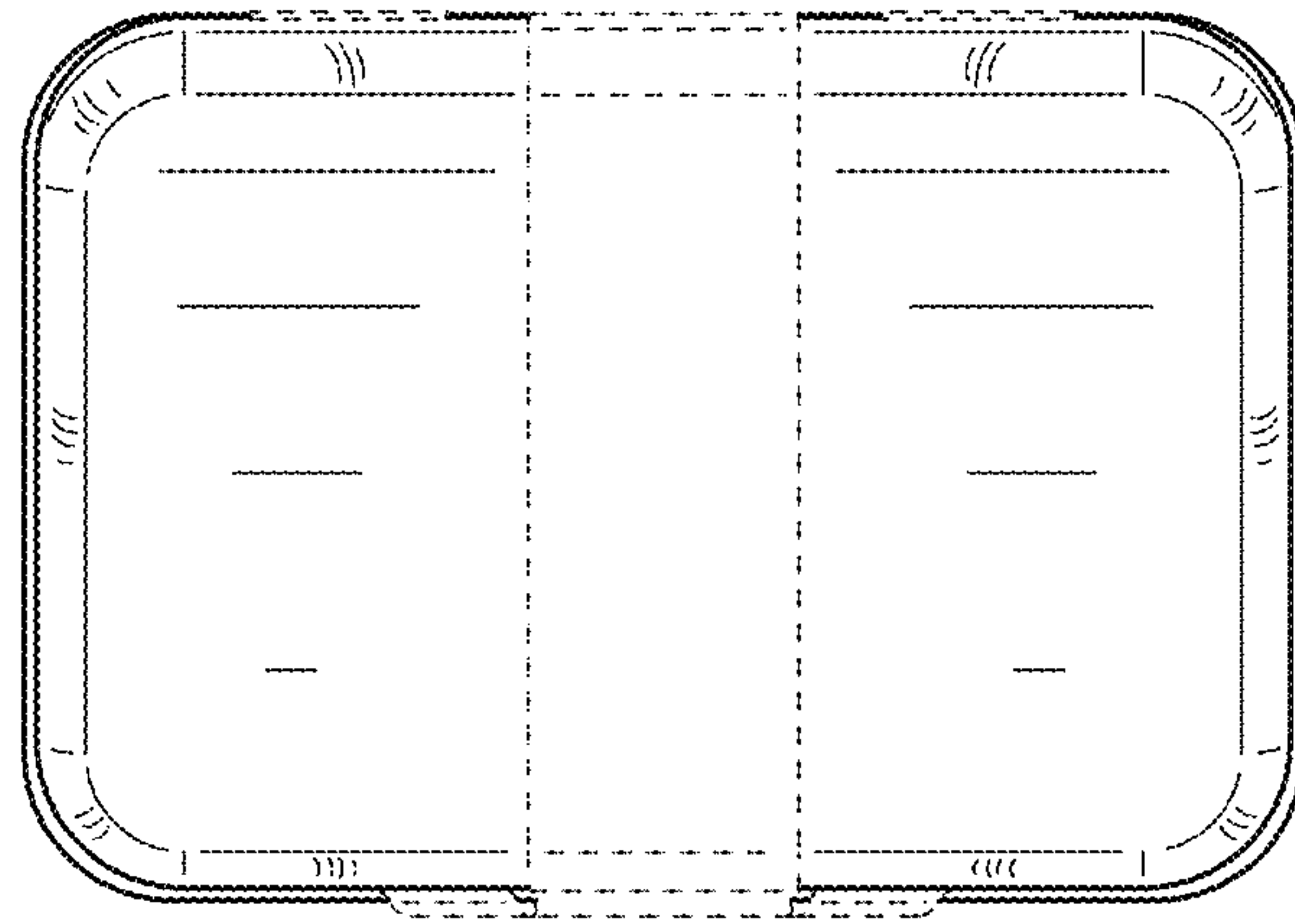


FIG. 6

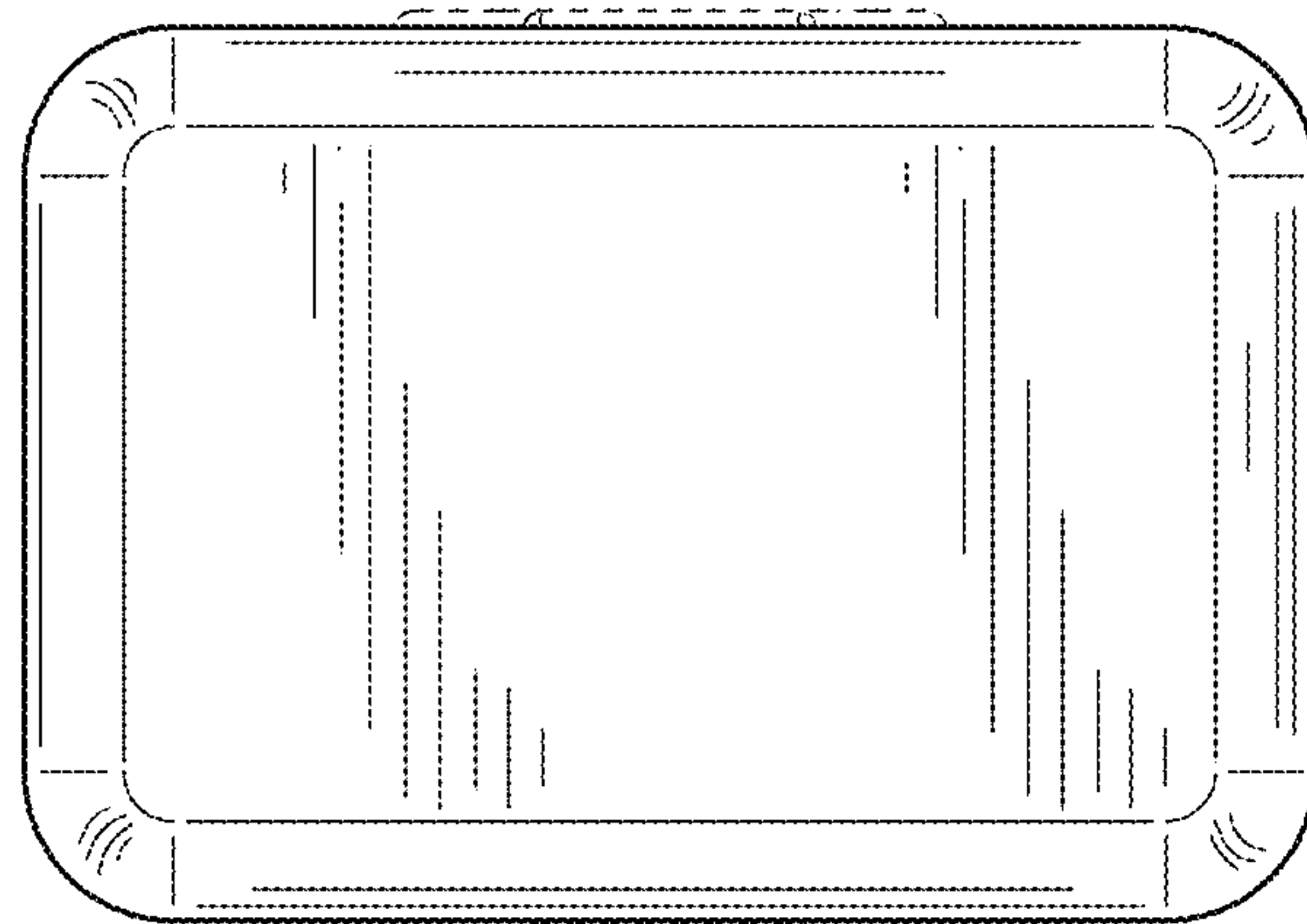


FIG. 7