



US00D817765S

(12) **United States Design Patent**  
**Kim et al.**

(10) **Patent No.:** **US D817,765 S**  
(45) **Date of Patent:** **\*\* May 15, 2018**

(54) **CONTAINER FOR FOOD PACKING**

(71) Applicant: **CJ CHEILJEDANG CORP.**, Seoul (KR)

(72) Inventors: **Jung Woo Kim**, Seoul (KR); **Yul Joong Kim**, Seoul (KR); **Seol Hee Son**, Seoul (KR)

(73) Assignee: **CJ CHEILJEDANG CORPORATION**, Seoul (KR)

(\*\*) Term: **15 Years**

(21) Appl. No.: **29/535,715**

(22) Filed: **Aug. 10, 2015**

(30) **Foreign Application Priority Data**

May 19, 2015 (KR) ..... 30-2015-0025336

(51) **LOC (11) Cl.** ..... **09-01**

(52) **U.S. Cl.**  
USPC ..... **D9/503**; D9/443; D7/612; D7/629;  
D7/630

(58) **Field of Classification Search**

USPC ..... D9/434-435, 454, 500, 503-505, 516,  
D9/530, 537, 539-540, 549, 558, 715;  
D7/601-602, 608, 612, 615, 629-630;  
D99/5; D26/6, 9-11, 22  
CPC ..... B65D 1/00; B65D 1/02; B65D 1/0223;  
B65D 23/00; B65D 2501/00; B65D  
2501/0009  
See application file for complete search history.

(56) **References Cited**

**U.S. PATENT DOCUMENTS**

D105,671 S \* 8/1937 Noble ..... D9/545  
D112,951 S \* 1/1939 Soule ..... D9/554

D170,295 S \* 8/1953 Ziskin et al. .... D7/615  
D205,556 S \* 8/1966 Plochman, Jr. .... D9/505  
4,601,403 A \* 7/1986 Pollitz ..... B65D 51/24  
215/228  
D298,592 S \* 11/1988 Stoop ..... D6/390  
D348,312 S \* 6/1994 Schwartz ..... D23/367  
D473,466 S \* 4/2003 Biesecker ..... D7/615  
D479,641 S \* 9/2003 Robinson ..... D99/5  
D479,900 S \* 9/2003 Robinson ..... D99/5  
D495,599 S \* 9/2004 Biesecker ..... D7/391  
D506,136 S \* 6/2005 Wilde ..... D9/503  
D719,714 S \* 12/2014 Khan ..... D99/5  
D745,764 S \* 12/2015 Jennings ..... D99/5  
D751,399 S \* 3/2016 Lynd ..... D9/454  
D772,520 S \* 11/2016 Jennings ..... D99/5  
D773,296 S \* 12/2016 Lynd ..... D9/439

\* cited by examiner

*Primary Examiner* — Dana L Meyrow

(74) *Attorney, Agent, or Firm* — Leydig Voit & Mayer

(57) **CLAIM**

The ornamental design for a container for food packing, as shown and described.

**DESCRIPTION**

FIG. 1 is a perspective view of a container for food packing of the present invention.

FIG. 2 is a front elevational view thereof;

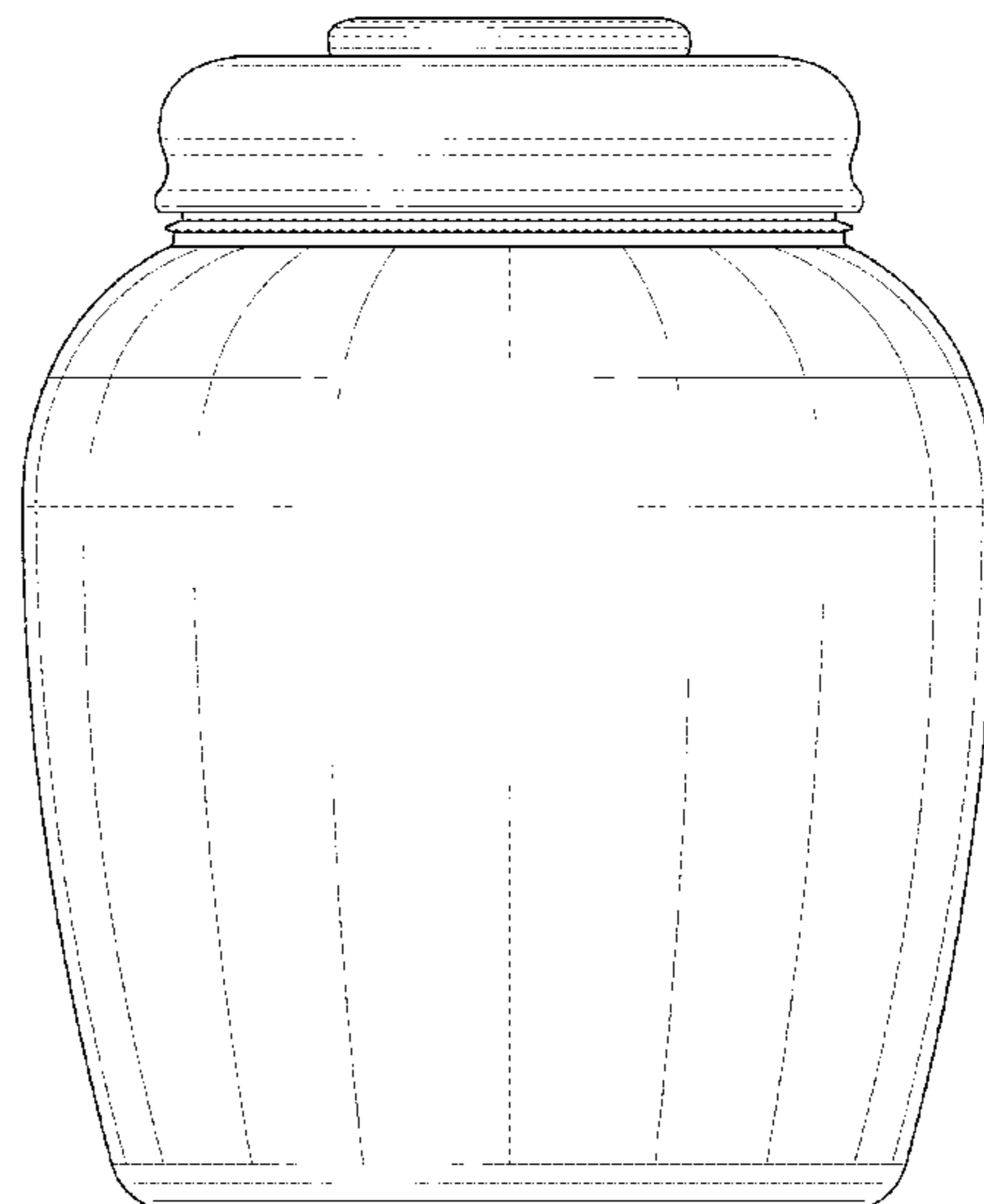
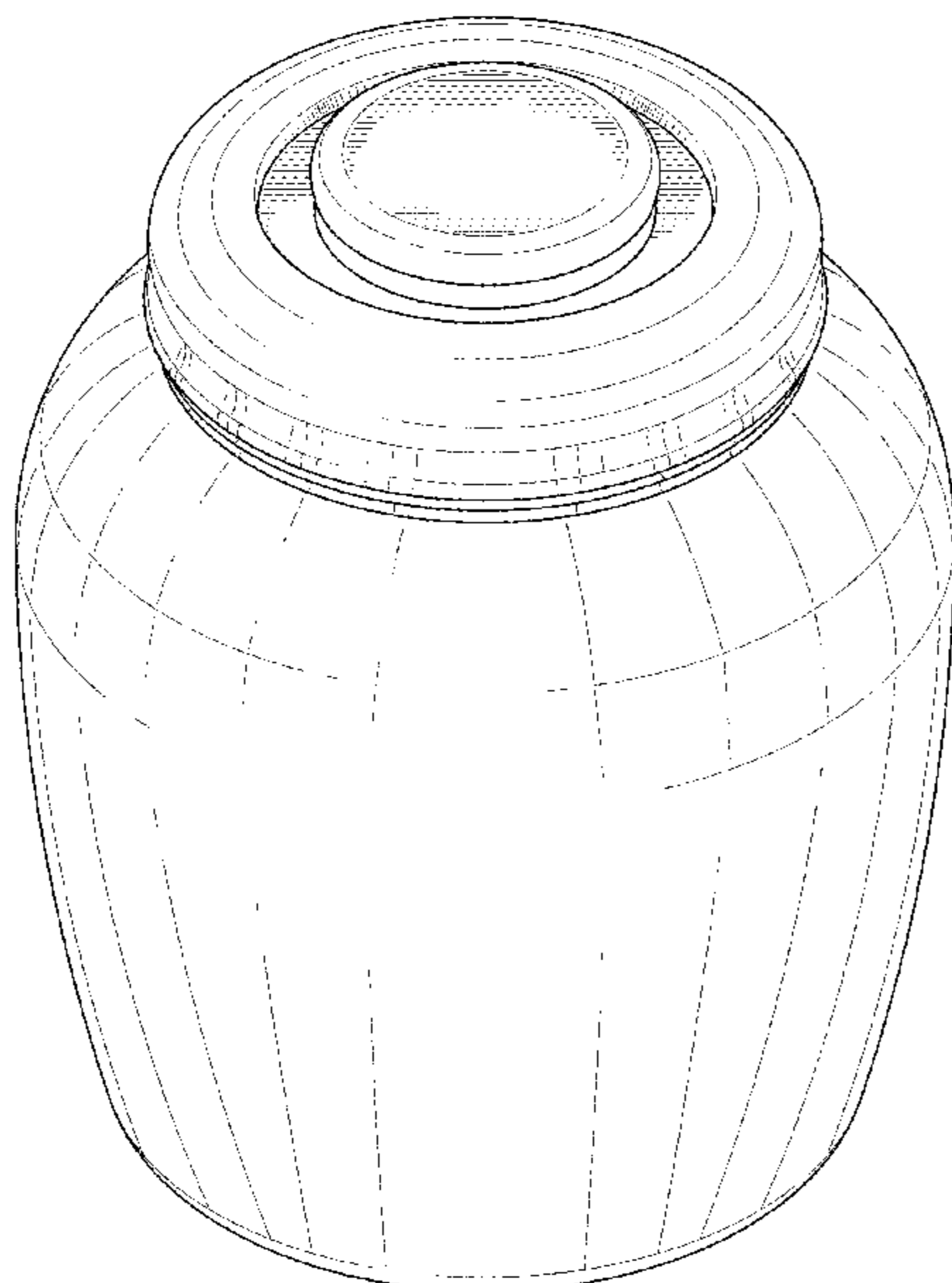
FIG. 3 is a rear elevational view thereof;

FIG. 4 is a left side elevational view thereof;

FIG. 5 is a right side elevational view thereof; and,

FIG. 6 is a top plan view thereof.

**1 Claim, 6 Drawing Sheets**



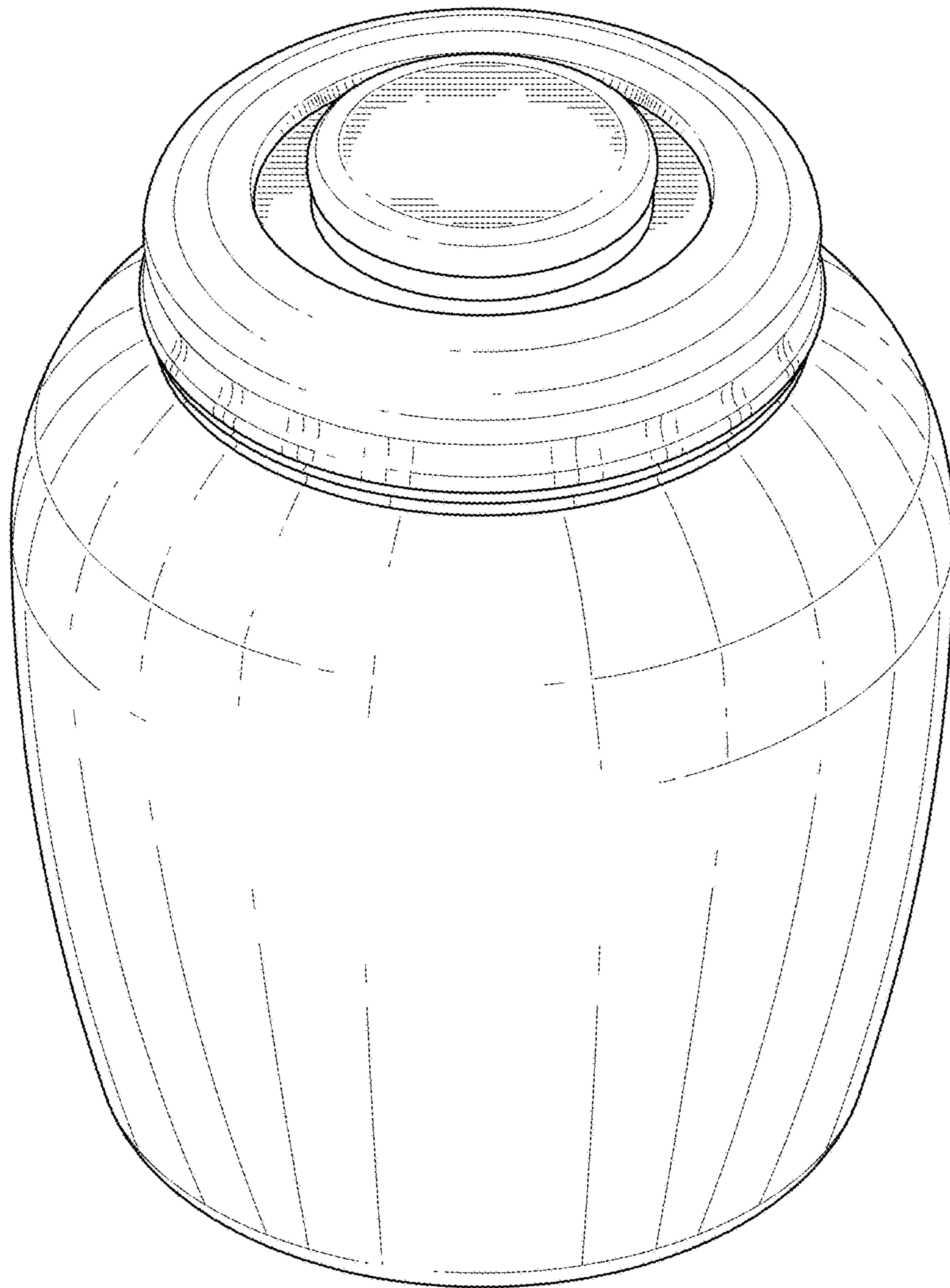


FIG. 1

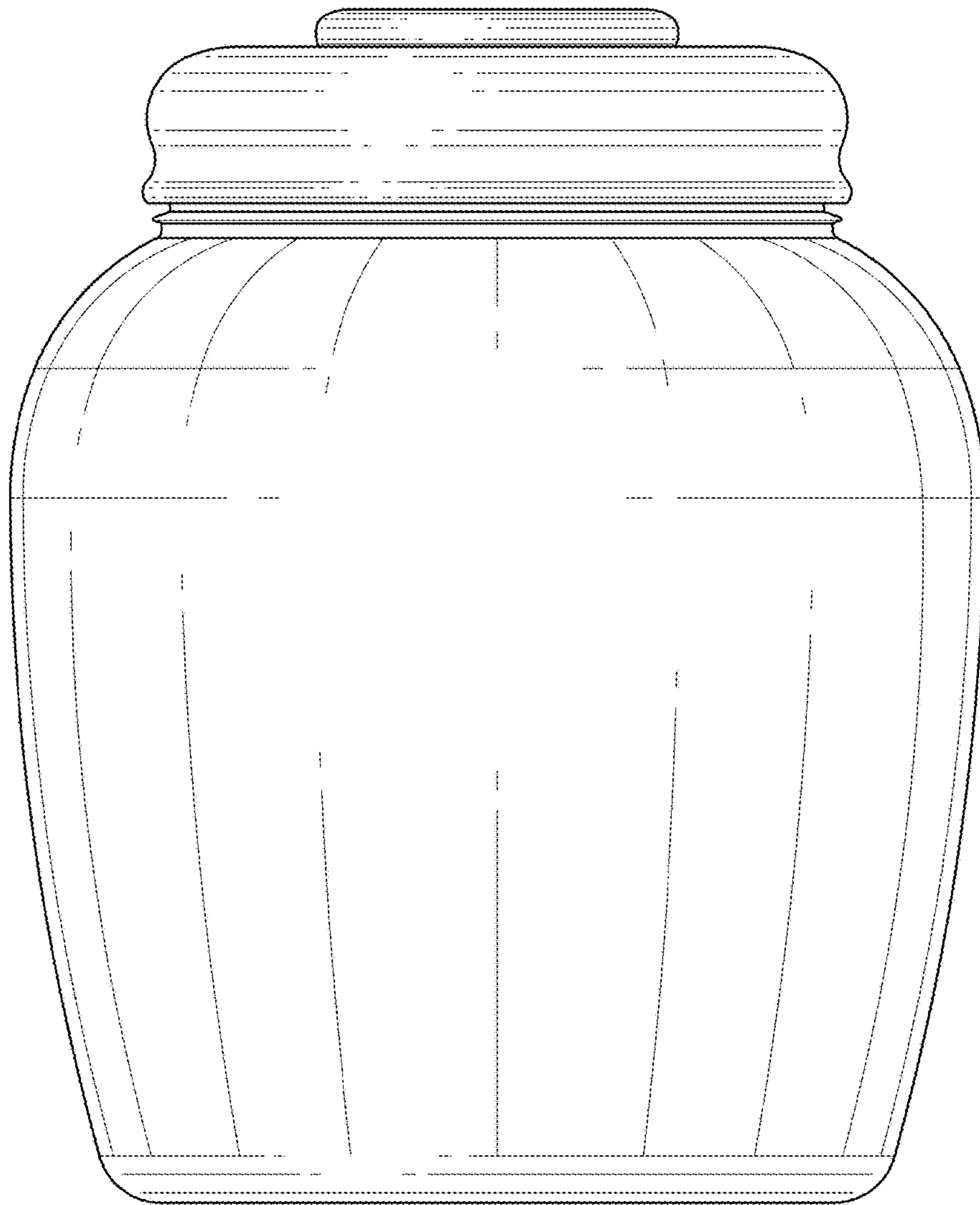


FIG. 2

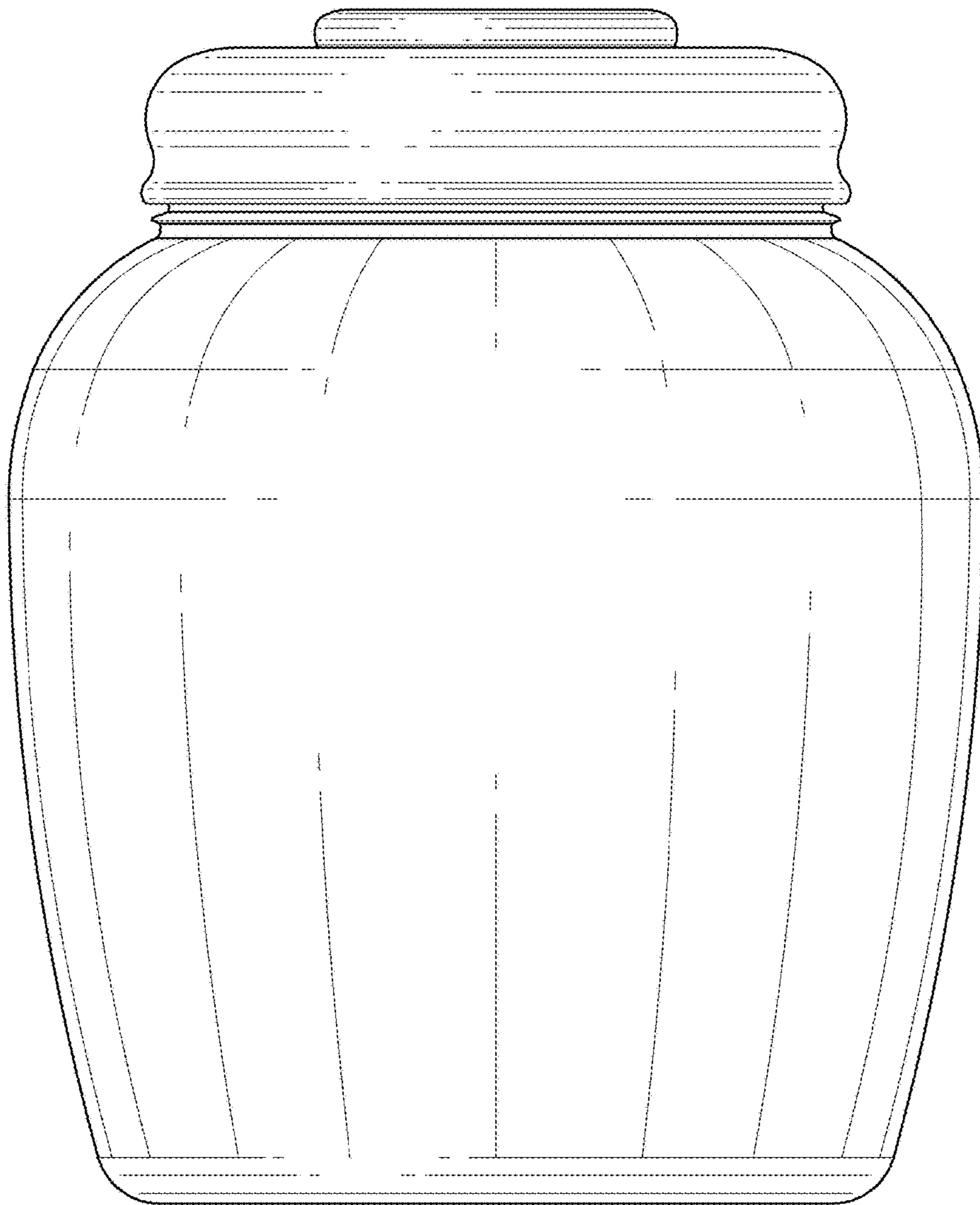


FIG. 3

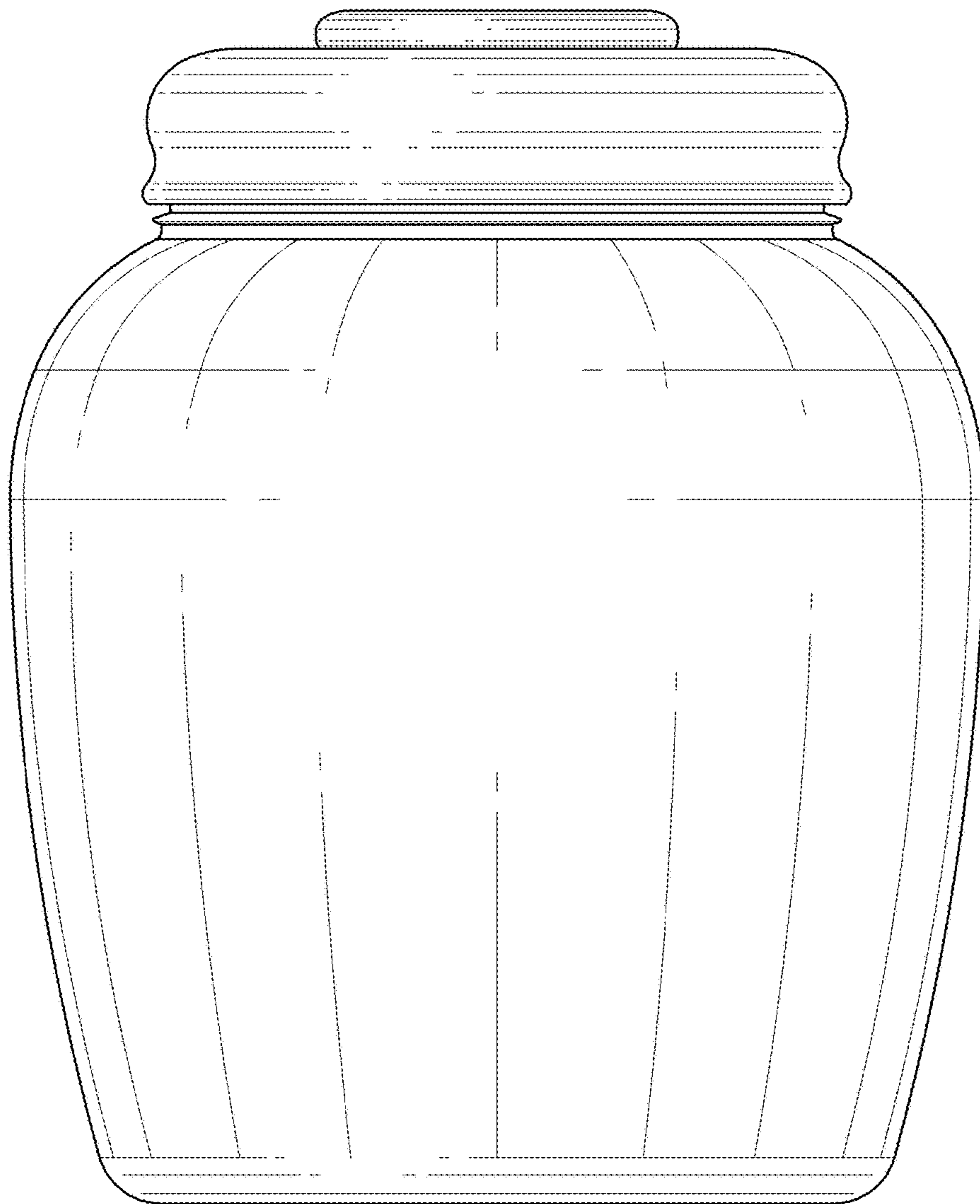


FIG. 4



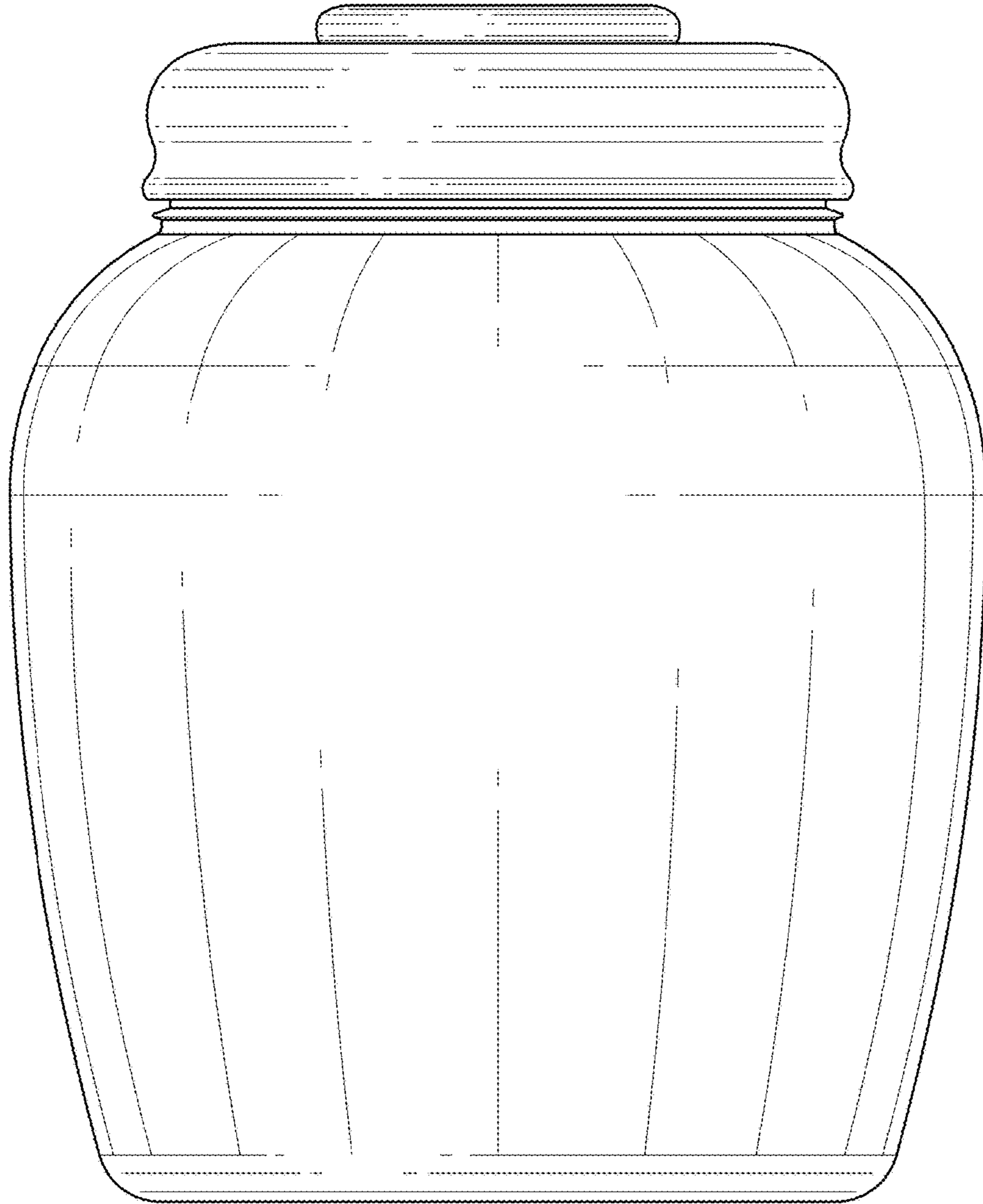


FIG. 5

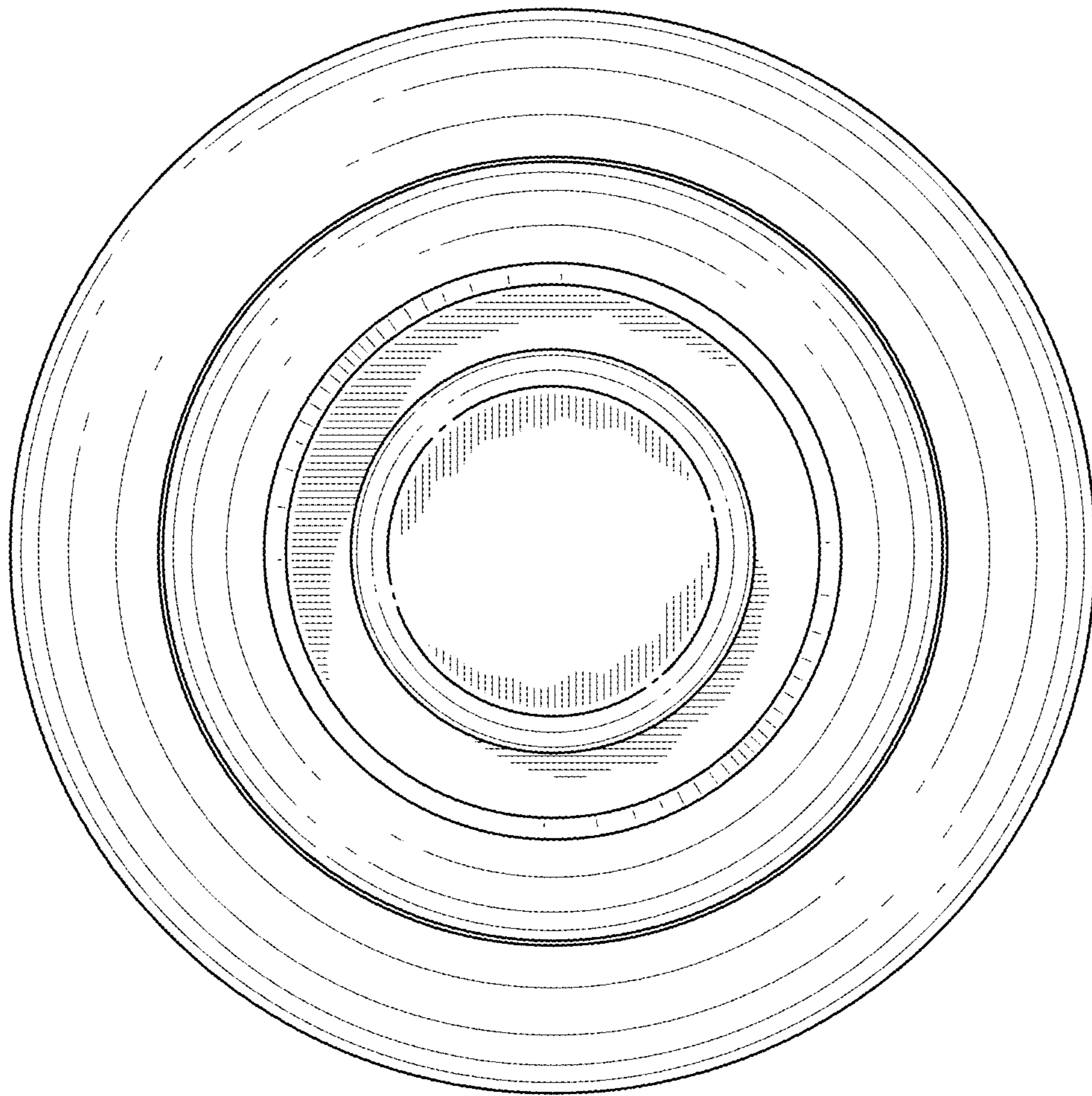


FIG. 6