



US00D817763S

(12) **United States Design Patent**
Isaksen

(10) **Patent No.:** **US D817,763 S**

(45) **Date of Patent:** **** May 15, 2018**

(54) **NAIL POLISH BOTTLE**

(71) Applicant: **Anne Isaksen**, Boston, MA (US)

(72) Inventor: **Anne Isaksen**, Boston, MA (US)

(**) Term: **15 Years**

(21) Appl. No.: **29/575,929**

(22) Filed: **Aug. 30, 2016**

(51) **LOC (11) Cl.** **09-03**

(52) **U.S. Cl.**
USPC **D9/500; D9/503; D4/116**

(58) **Field of Classification Search**
USPC D4/114, 116; D9/434-436, 452-454,
D9/500-505, 516, 537, 539, 544-545,
D9/549, 558, 715, 718, 719, 723, 772;
D7/300, 602, 509, 619.1, 629; D23/362,
D23/366; D24/121, 197; D28/7-8
CPC B65D 1/00; B65D 1/02; B65D 1/0223;
B65D 2501/00; B65D 2501/0009; A45D
34/00; A45D 34/042; A45D 34/045
See application file for complete search history.

(56) **References Cited**

U.S. PATENT DOCUMENTS

2,568,328 A	8/1948	Elby	
2,736,050 A *	2/1956	Lee	A45D 34/046 132/73
2,793,012 A *	5/1957	Wolf	A45D 34/048 215/228
2,803,028 A *	8/1957	Flynn	B65D 51/32 215/228
2,888,020 A *	5/1959	Schultz	A45D 29/18 132/318
3,185,291 A	5/1965	Lerner	
D214,307 S *	6/1969	Vignelli	D9/503
D252,612 S *	8/1979	Mull	D24/224
4,189,245 A *	2/1980	Bennett	A45D 34/045 401/126
4,640,637 A	2/1987	Winthrop	
4,690,579 A *	9/1987	Tuckman	A45D 40/265 141/24

4,955,745 A	9/1990	Vauequelin	
6,503,014 B2	1/2003	Louis et al.	
D483,265 S *	12/2003	Maffei	D9/500
D561,027 S *	2/2008	Nguyen	D9/500
D563,221 S *	3/2008	Ashiwa	D24/115
D584,946 S *	1/2009	Rica	D9/500

(Continued)

FOREIGN PATENT DOCUMENTS

EP	1268301	1/2003
WO	8700404	1/1987
WO	9735499	10/1997

OTHER PUBLICATIONS

Gemini, ABA Packaging Corporation Catalog, ABA Packaging Corp., Holtsville, NY, 2004, p. 14.*

Primary Examiner — Cathron C Brooks

Assistant Examiner — Sharon S Oum

(74) *Attorney, Agent, or Firm* — Gary E. Lambert; David J. Connaughton, Jr.; Lambert & Associates

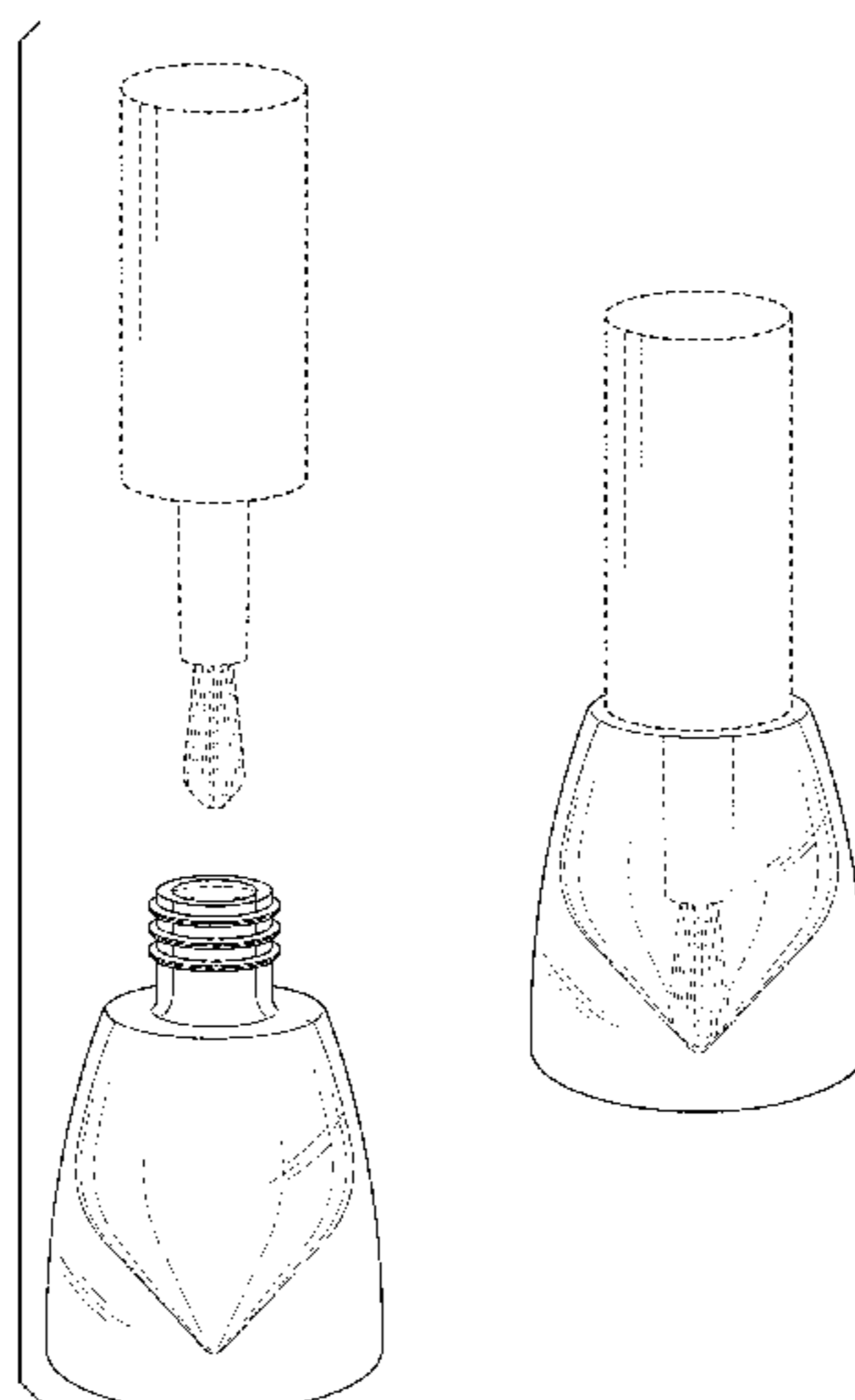
(57) **CLAIM**

The ornamental design for a nail polish bottle, as shown and described.

DESCRIPTION

FIG. 1 is a perspective view of a nail polish bottle showing my new design with the broken line subject matter in a position of use;
FIG. 2 is a view identical to FIG. 1, but shown with the broken line subject matter in a closed position;
FIG. 3 is a front view of the nail polish bottle of FIG. 1;
FIG. 4 is a top plan view thereof; and,
FIG. 5 is a bottom plan view thereof.
The broken line showing of a nail polish brush and cap in FIGS. 1-3 illustrates portions of the nail polish bottle that form no part of the claimed design.

1 Claim, 2 Drawing Sheets



(56)

References Cited

U.S. PATENT DOCUMENTS

D619,894	S	*	7/2010	Ashiwa	D9/504
D638,308	S	*	5/2011	Ashiwa	D9/723
D695,117	S	*	12/2013	Kim	D9/435
D696,948	S	*	1/2014	Kim	D9/454
D721,966	S	*	2/2015	Mathiez	D9/504
D741,603	S	*	10/2015	Mehta	D4/116
9,167,881	B2		10/2015	Mehta et al.	
D756,226	S	*	5/2016	In	D9/504
D758,737	S	*	6/2016	Tan	D4/116
D772,579	S	*	11/2016	Baranes	D4/116
2008/0223884	A1		9/2008	Vestbom	
2009/0067913	A1		3/2009	Vintimiglia	
2010/0329770	A1		12/2010	Volek	
2014/0086662	A1		3/2014	Amey	
2015/0110542	A1		4/2015	Lee	

* cited by examiner

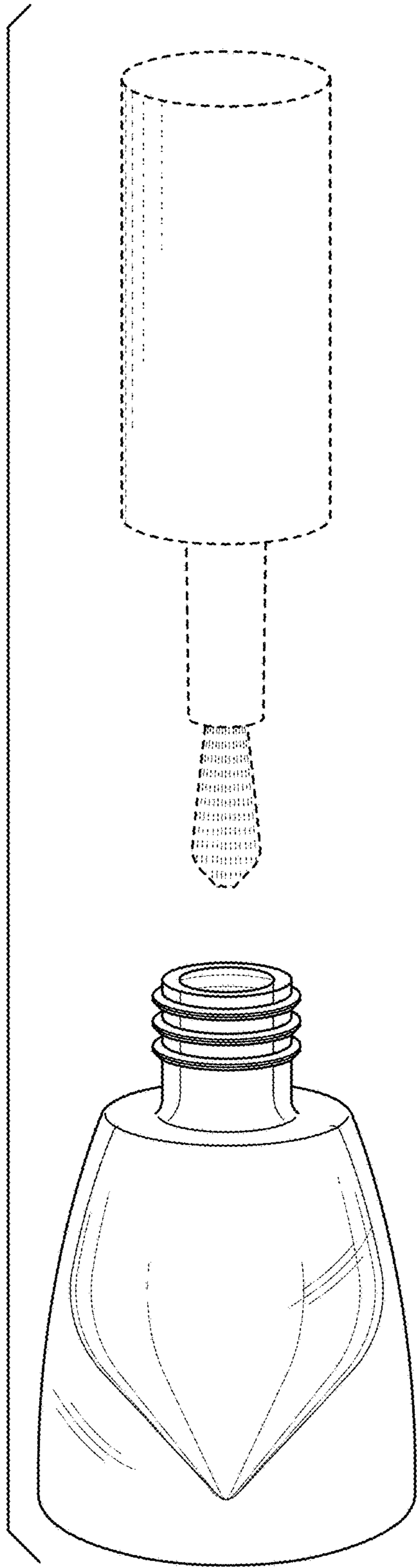


Fig. 1

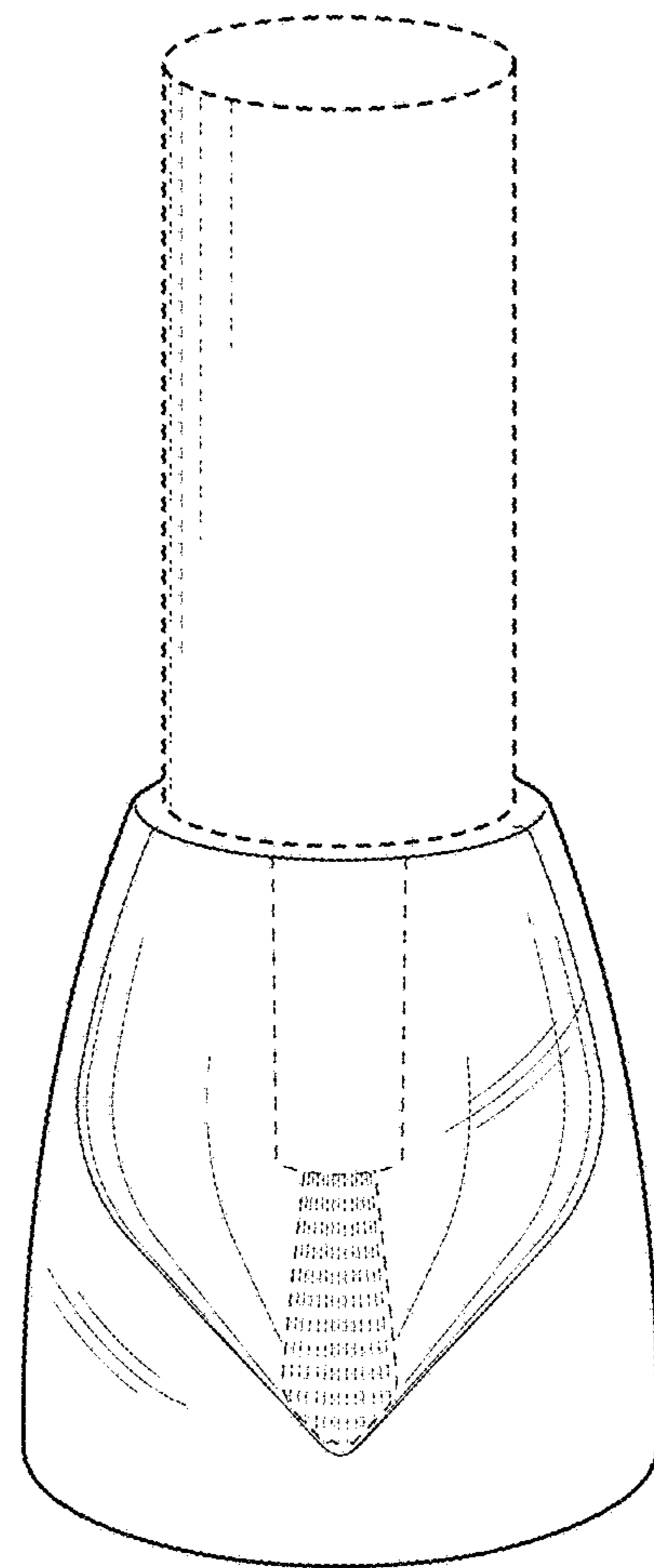


Fig. 2

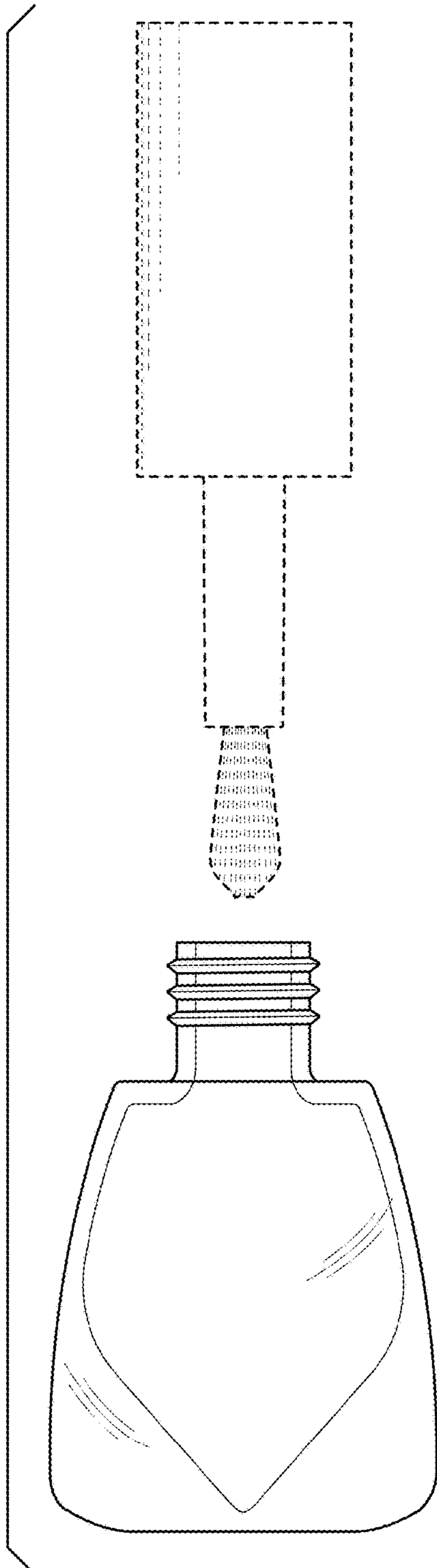


Fig. 3

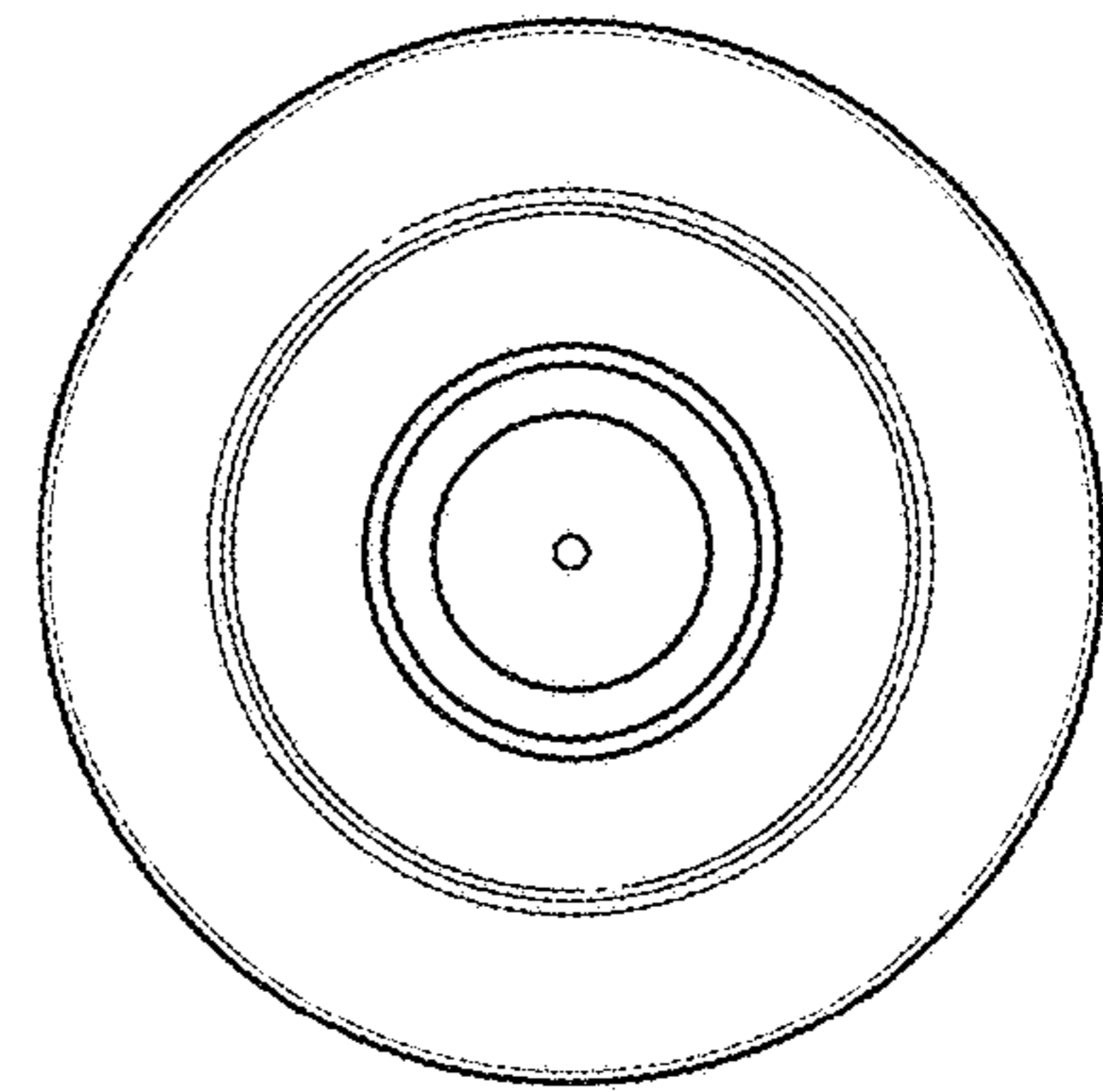


Fig. 4

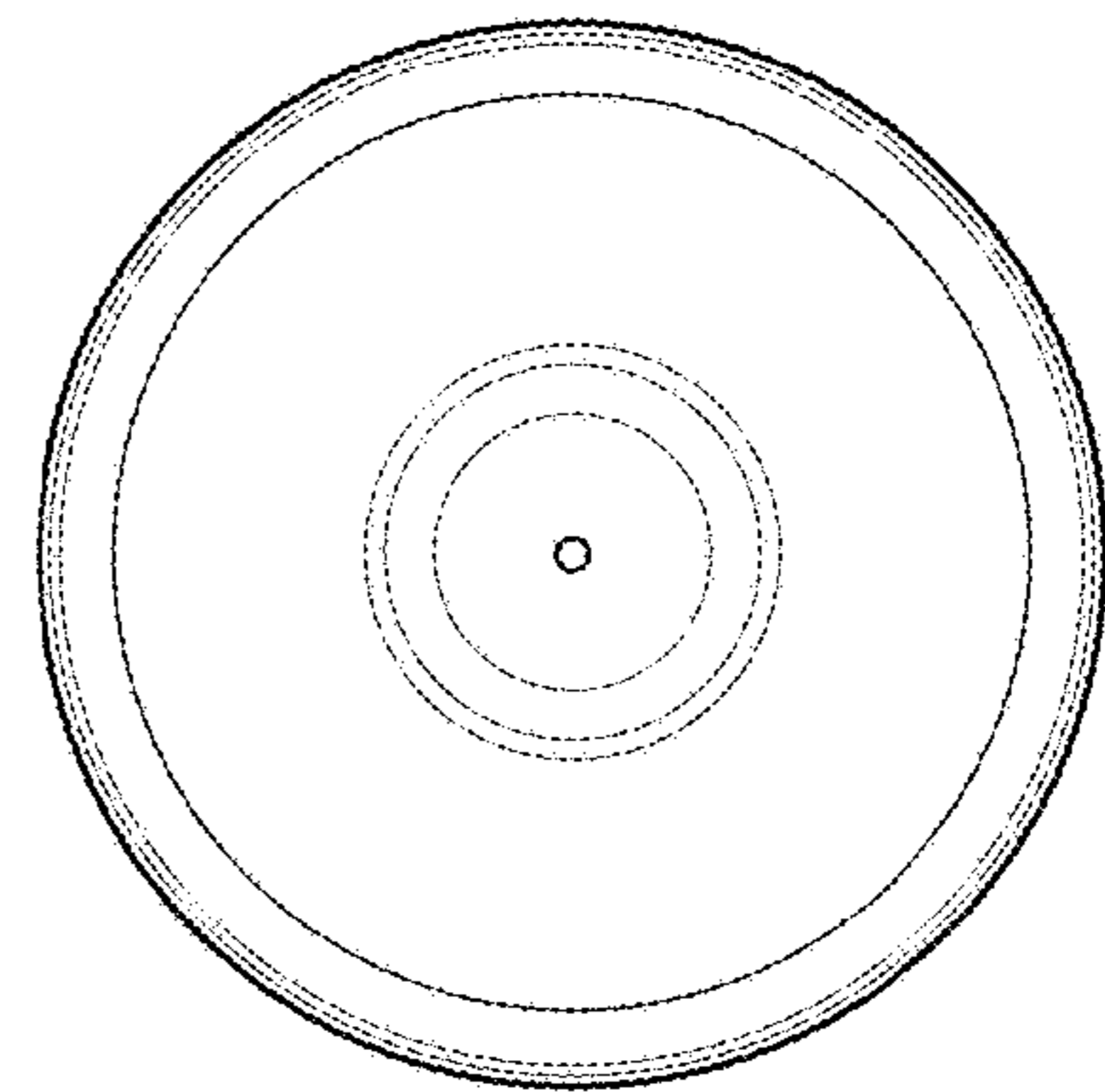


Fig. 5