



US00D817761S

(12) **United States Design Patent**
Shirley

(10) **Patent No.:** **US D817,761 S**
(45) **Date of Patent:** **** May 15, 2018**

(54) **LID FOR STORAGE CONTAINER**

(71) Applicant: **Dart Industries Inc.**, Orlando, FL (US)

(72) Inventor: **Nathan E. Shirley**, Vancouver, WA (US)

(73) Assignee: **Dart Industries Inc.**, Orlando, FL (US)

(**) Term: **15 Years**

(21) Appl. No.: **29/603,955**

(22) Filed: **May 15, 2017**

(51) **LOC (11) Cl.** **09-07**

(52) **U.S. Cl.**
USPC **D9/453**; D9/435

(58) **Field of Classification Search**
USPC D7/391, 392, 392.1, 396.1, 213, 387,
D7/396.3, 541, 546, 549, 554.2, 554.3,
D7/601, 602, 605, 701, 703, 705;
D9/434-436, 438, 443, 447, 455-457,
D9/499, 414, 418, 420, 423, 424, 426,
D9/428, 430, 432, 440, 444, 446, 449,
D9/453, 703, 715-718, 721; D3/202,
D3/212, 294, 295, 318

CPC B65D 5/64; B65D 43/0204; B65D
2543/00092; B65D 2543/00296
See application file for complete search history.

(56) **References Cited**

U.S. PATENT DOCUMENTS

D204,407 S *	4/1966	Imhoff	D7/391
D306,973 S *	4/1990	Kaplan	D3/294
D354,655 S *	1/1995	Daenen	D7/391
D377,733 S *	2/1997	Ahern, Jr.	D7/391
D414,080 S *	9/1999	Bolwien	D7/545
D613,111 S *	4/2010	Furlong	D7/392.1
D622,591 S *	8/2010	Biesecker	D9/435

D721,246 S *	1/2015	Thurin	D7/392.1
D750,423 S *	3/2016	Shirley et al.	
D751,335 S *	3/2016	Shirley et al.	
D776,526 S *	1/2017	Hendricks	D9/430
D777,030 S *	1/2017	Irimia	D9/432
D786,674 S *	5/2017	Miller	D9/446
D803,681 S *	11/2017	Yang	D9/432

OTHER PUBLICATIONS

Walmart. Rubbermaid Easy Find Lids Food Storage Container. Jul. 18, 2008 [earliest online date], [site visited Feb. 13, 2018]. Available from Internet, <URL:https://www.walmart.com/ip/Rubbermaid-Easy-Find-Lids-Food-Storage-Container-Set-34-Piece/38664628>. (Year: 2008).*

* cited by examiner

Primary Examiner — Eric L Goodman
Assistant Examiner — Darcy E Hefflin
(74) *Attorney, Agent, or Firm* — Taylor J. Ross

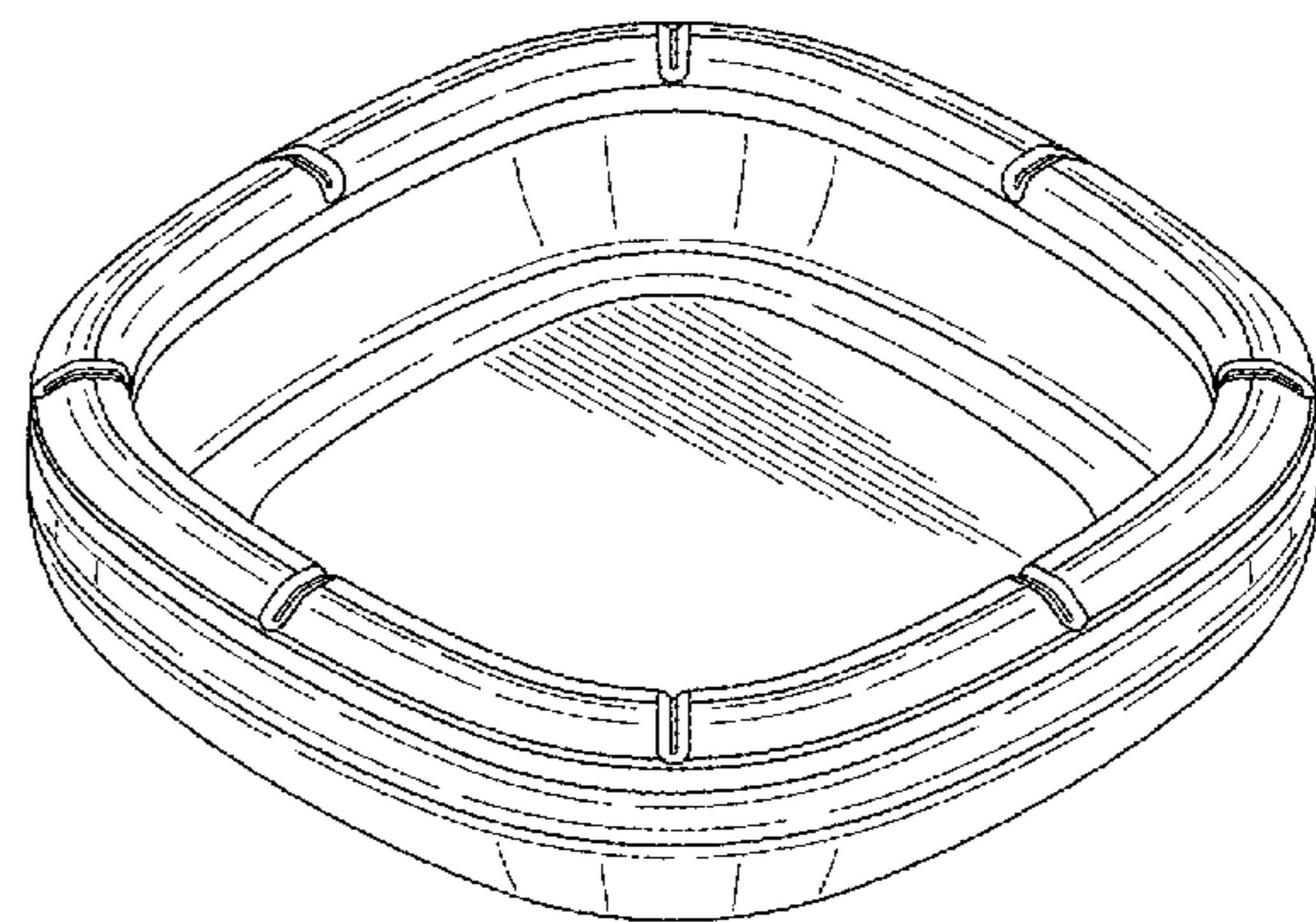
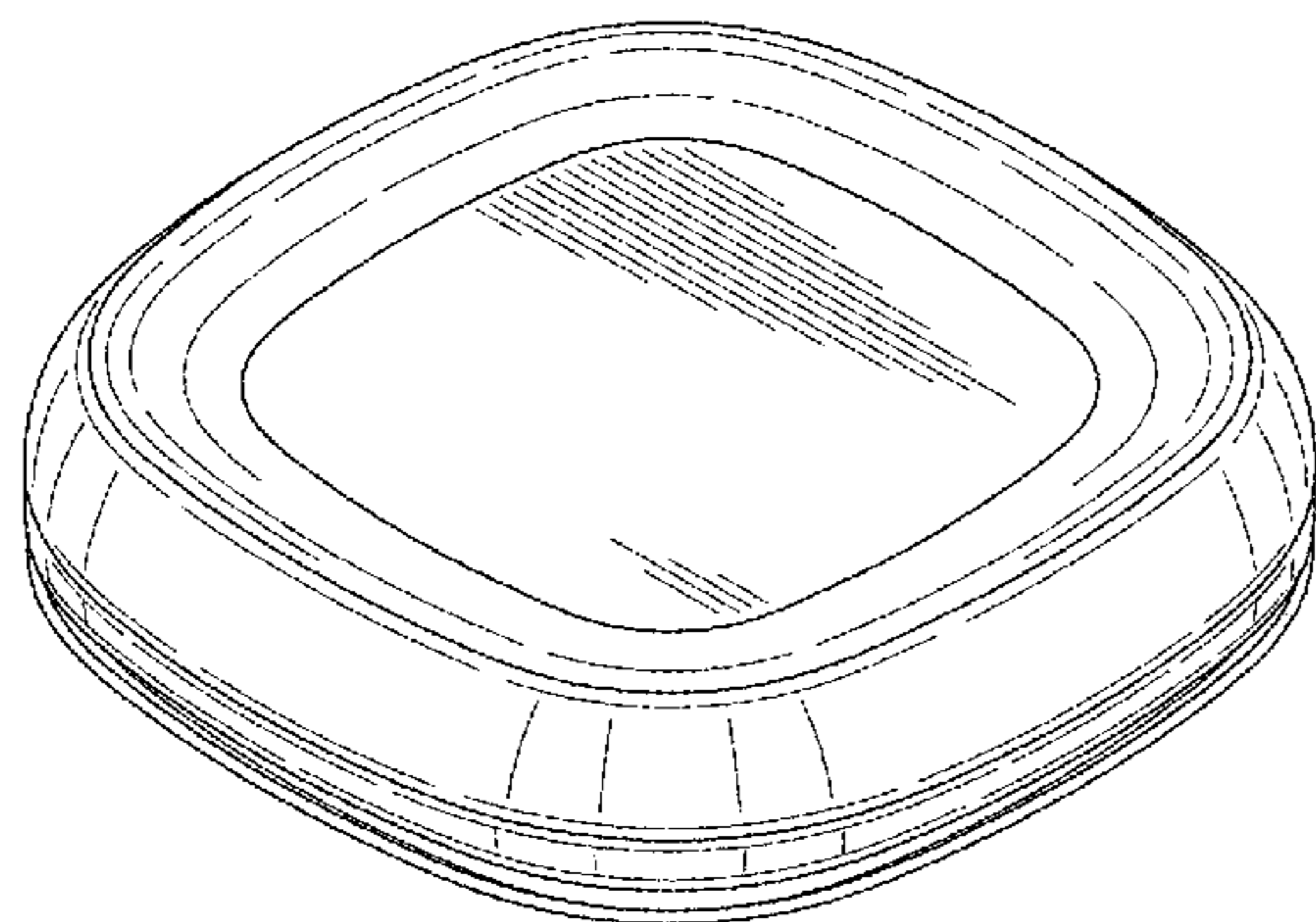
(57) **CLAIM**

The ornamental design for a lid for storage container, as shown and described.

DESCRIPTION

This application is related to co-pending Ser. No. 29/603, 953, which is incorporated herein by reference. FIG. 1 is a top, front and left side perspective view of a lid for a storage container showing my new design; FIG. 2 is a bottom, front and right side perspective view thereof; FIG. 3 is a top plan view thereof; FIG. 4 is a bottom plan view thereof; and, FIG. 5 is a front elevation view thereof, the rear, right and left sides being identical thereto.

1 Claim, 2 Drawing Sheets



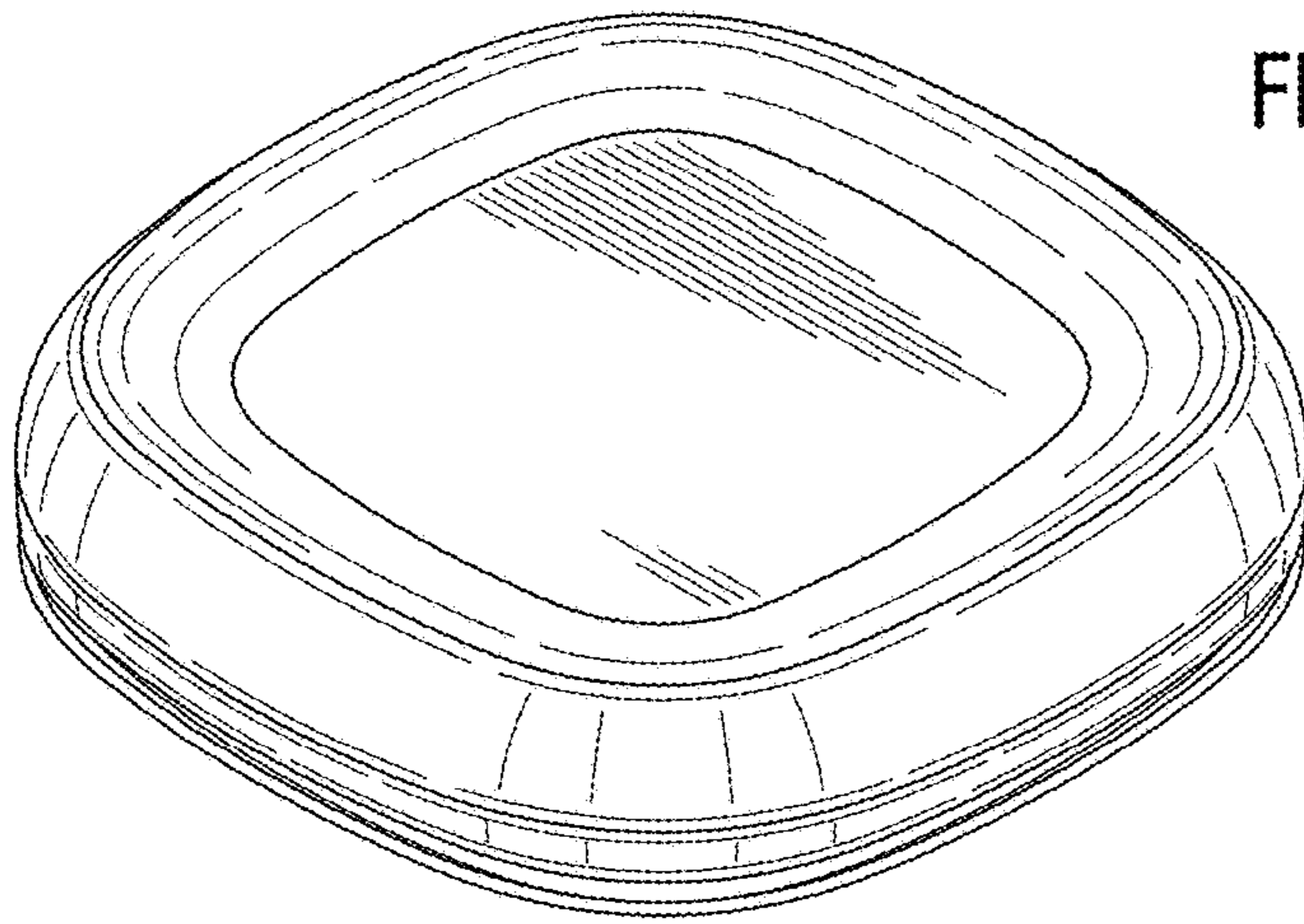


FIG. 1

FIG. 2

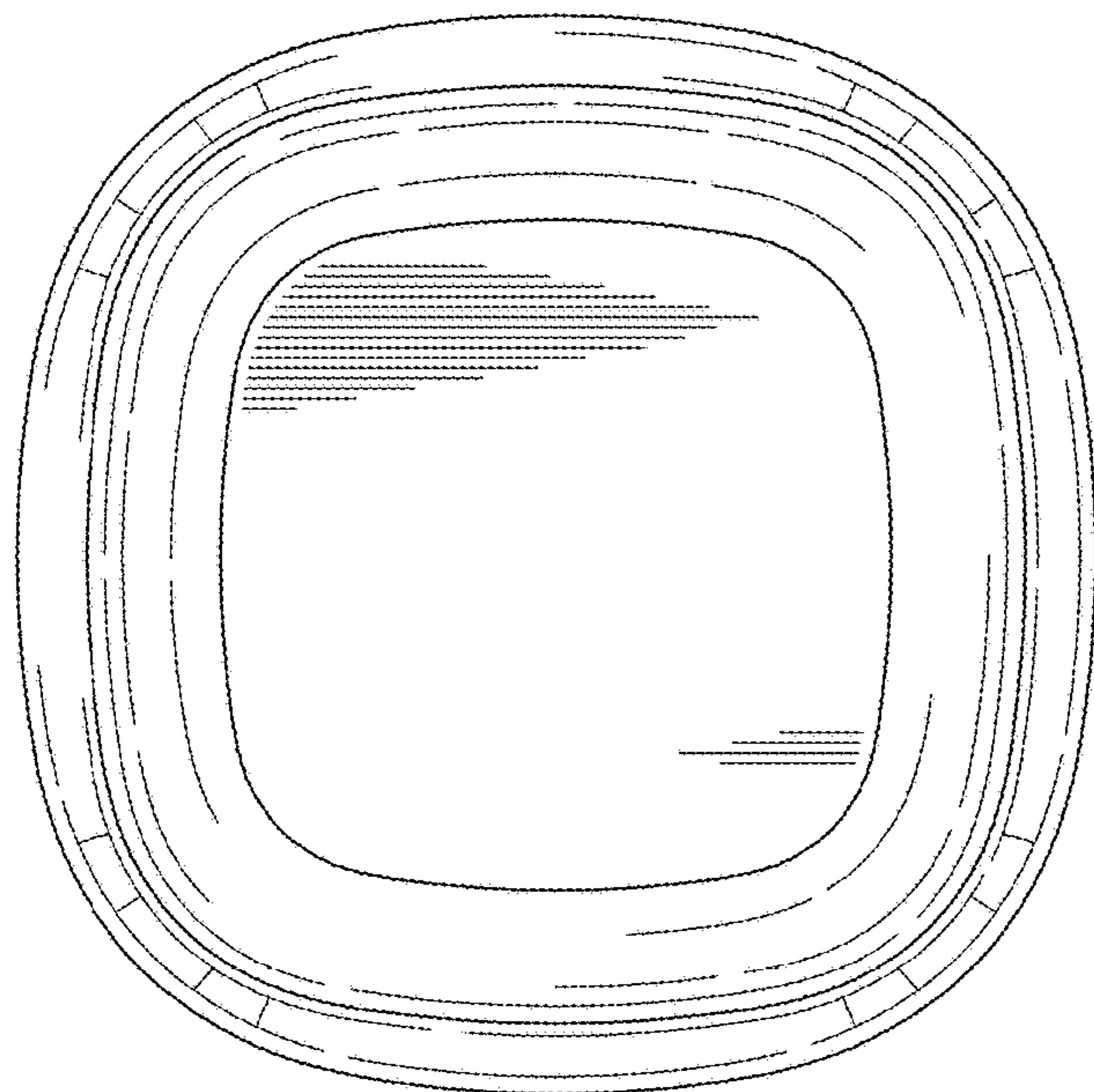
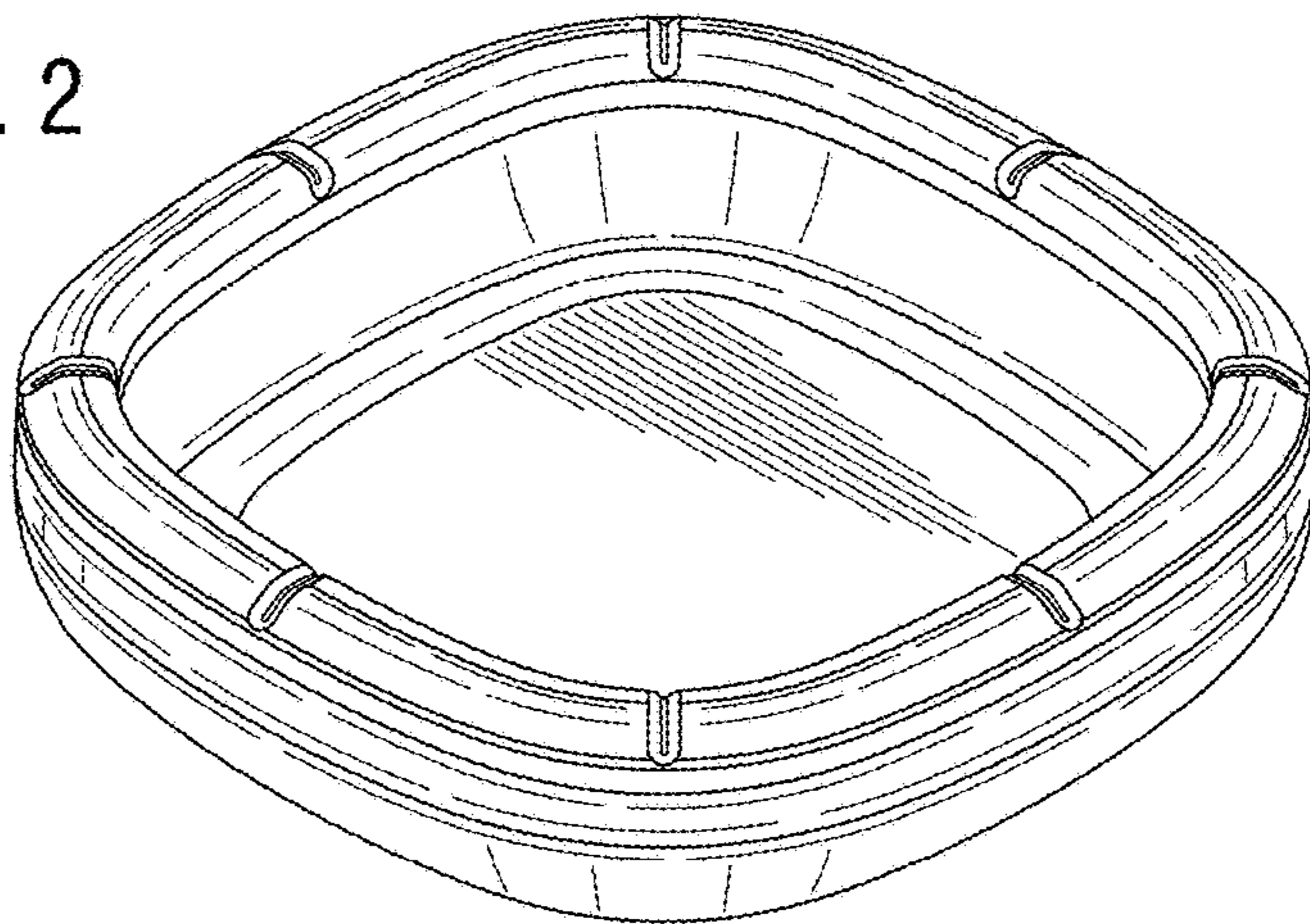


FIG. 3

FIG. 4

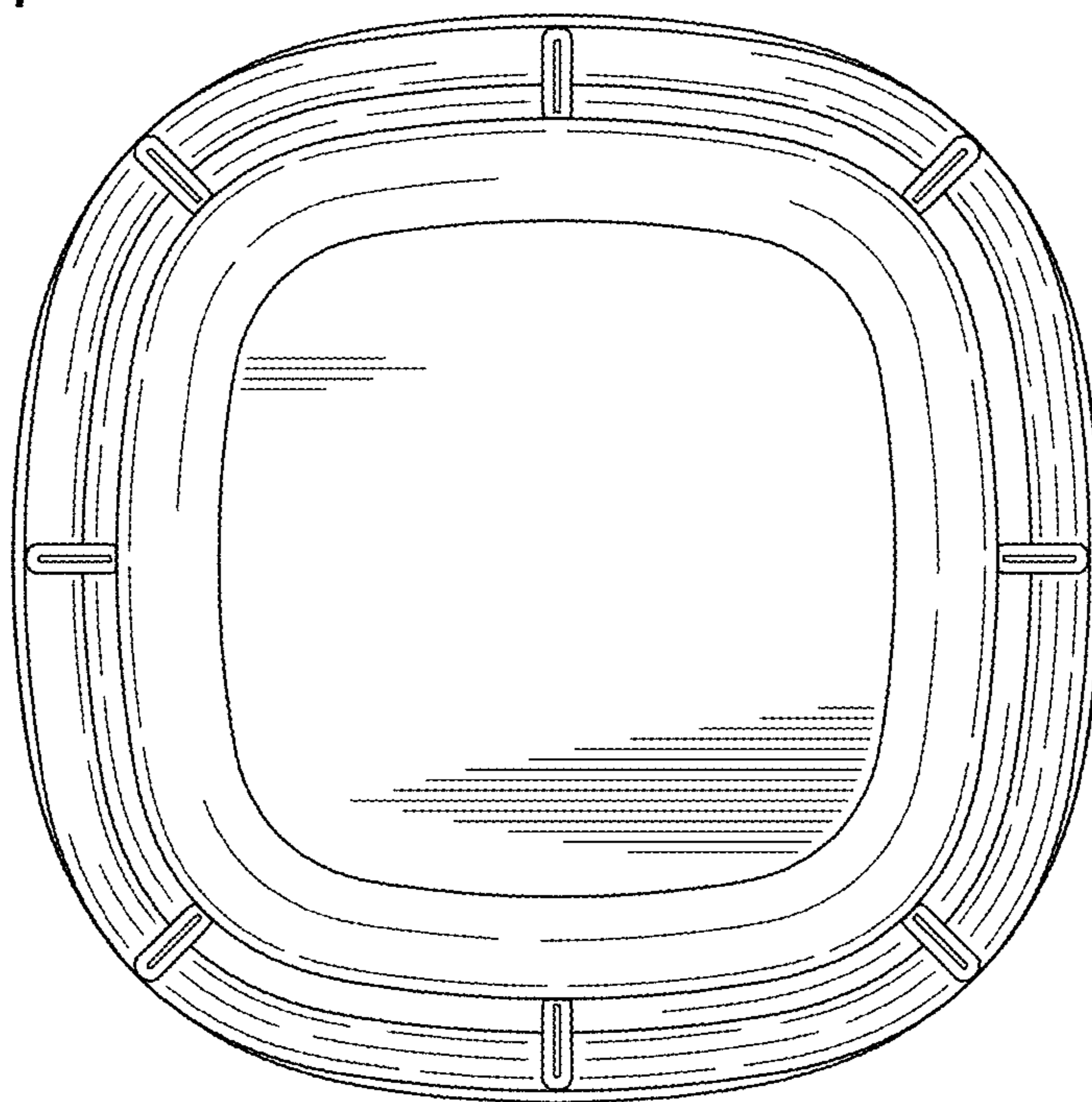


FIG. 5

