



US00D817758S

(12) **United States Design Patent**
Haddad

(10) **Patent No.:** **US D817,758 S**
(45) **Date of Patent:** **** May 15, 2018**

(54) **CONTAINER**

DESCRIPTION

(71) Applicant: **L'atelier Brands Inc.**, George Town (KY)

(72) Inventor: **Firas Haddad**, Dubai (AE)

(73) Assignee: **L'Atelir Brands Inc.**, George Town, Grand Cayman (KY)

(**) Term: **15 Years**

(21) Appl. No.: **29/603,837**

(22) Filed: **May 12, 2017**

Related U.S. Application Data

(62) Division of application No. 29/552,698, filed on Jan. 25, 2016, now Pat. No. Des. 789,797.

(51) **LOC (11) Cl.** **09-01**

(52) **U.S. Cl.**
USPC **D9/429**

(58) **Field of Classification Search**
USPC D9/600, 414-429, 434-435, 451;
206/457, 494, 459.5, 501-509, 527, 540;
(Continued)

(56) **References Cited**

U.S. PATENT DOCUMENTS

D391,850 S * 3/1998 Krupa D9/425
D415,025 S * 10/1999 McCann D9/429
(Continued)

Primary Examiner — Sandra L Morris

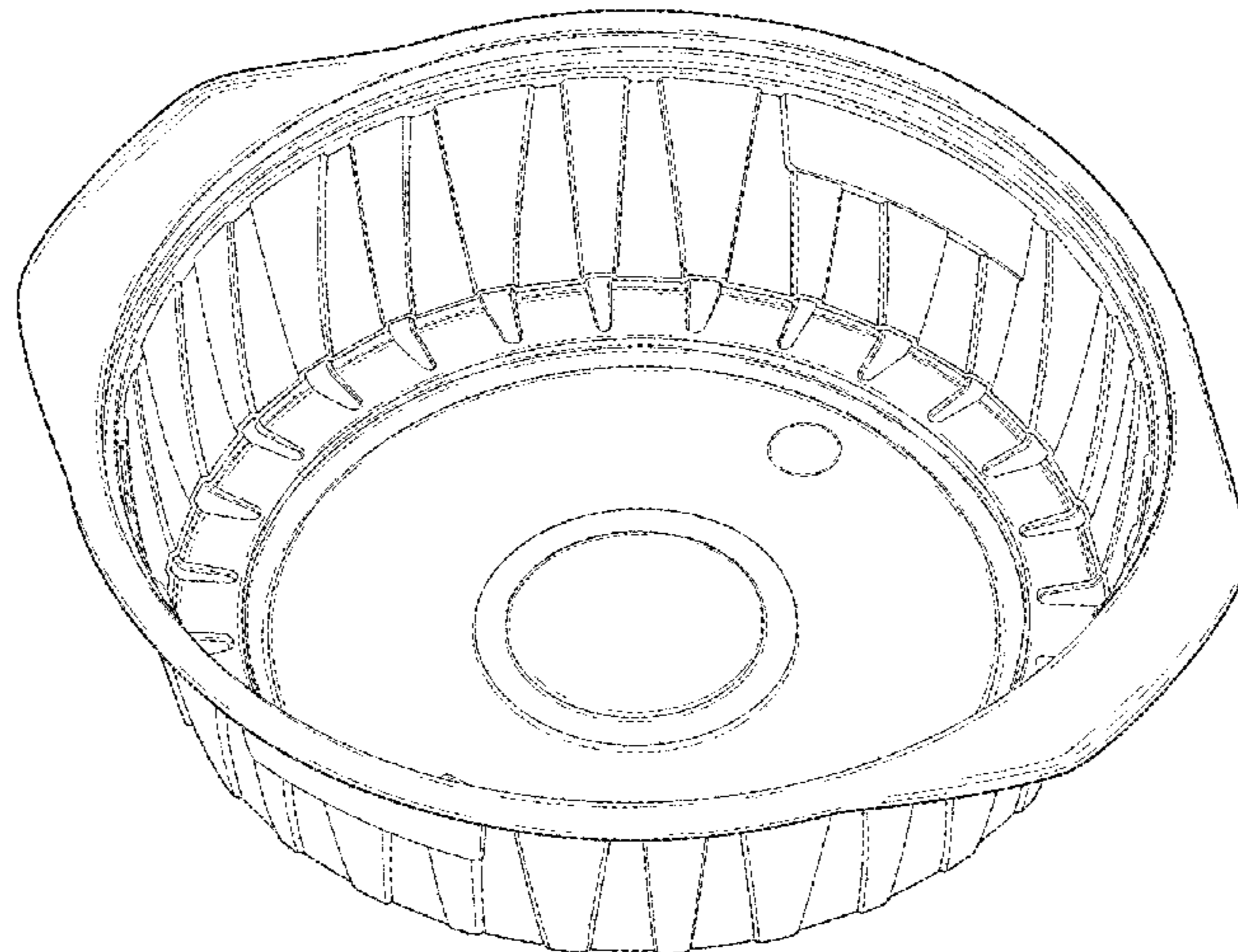
(74) *Attorney, Agent, or Firm* — Kevin Schraven; Anooj Patel; Hankin Patent Law, APC

(57) **CLAIM**

The ornamental design for a container, as shown and described.

FIG. 1 is a top perspective view of a first embodiment of the container, showing my new design.
FIG. 2 is a bottom perspective view thereof.
FIG. 3 is a top plan view thereof.
FIG. 4 is a bottom plan view thereof.
FIG. 5 is a front elevational view thereof.
FIG. 6 is a rear elevational view thereof.
FIG. 7 is a left side view thereof.
FIG. 8 is a right side view thereof.
FIG. 9 is a top perspective view of a second embodiment of the container, showing my new design.
FIG. 10 is a bottom perspective view thereof.
FIG. 11 is a top plan view thereof.
FIG. 12 is a bottom plan view thereof.
FIG. 13 is a front elevational view thereof.
FIG. 14 is a rear elevational view thereof.
FIG. 15 is a left side view thereof.
FIG. 16 is a right side view thereof.
FIG. 17 is a top perspective view of a third embodiment of the container, showing my new design.
FIG. 18 is a bottom perspective view thereof.
FIG. 19 is a top plan view thereof.
FIG. 20 is a bottom plan view thereof.
FIG. 21 is a front elevational view thereof.
FIG. 22 is a rear elevational view thereof.
FIG. 23 is a left side view thereof.
FIG. 24 is a right side view thereof.
FIG. 25 is a top perspective view of a fourth embodiment of the container, showing my new design.
FIG. 26 is a bottom perspective view thereof.
FIG. 27 is a top plan view thereof.
FIG. 28 is a bottom plan view thereof.
FIG. 29 is a front elevational view thereof.
FIG. 30 is a rear elevational view thereof.
FIG. 31 is a left side view thereof; and,
FIG. 32 is a right side view thereof.
The broken lines are for the purpose of illustrating unclaimed subject matter and form no part of the claimed design.

1 Claim, 32 Drawing Sheets



(58) **Field of Classification Search**

USPC 229/116.1; 446/77; 215/381–384, 400;
D7/514–516, 539, 543–544, 551.1, 571,
D7/579, 604, 613, 619.2, 628–630,
D7/391–392.1; D3/270–271.3
CPC B65D 67/00; B65D 81/36; B65D 81/60;
B65D 81/368; B65D 2203/00; B65D
2203/02; A63H 33/16

See application file for complete search history.

(56) **References Cited**

U.S. PATENT DOCUMENTS

D467,497 S *	12/2002	Liu	D9/428
D468,202 S *	1/2003	Chou	D9/425
D649,448 S *	11/2011	Wu	D9/429
D664,844 S *	8/2012	Hale	D9/425
D674,689 S *	1/2013	Chen	D9/429
D677,156 S *	3/2013	Wu	D9/429
D681,449 S *	5/2013	Snedden	D9/429
D743,253 S *	11/2015	Kui	D9/429
2014/0151387 A1 *	6/2014	Chen	220/780

* cited by examiner

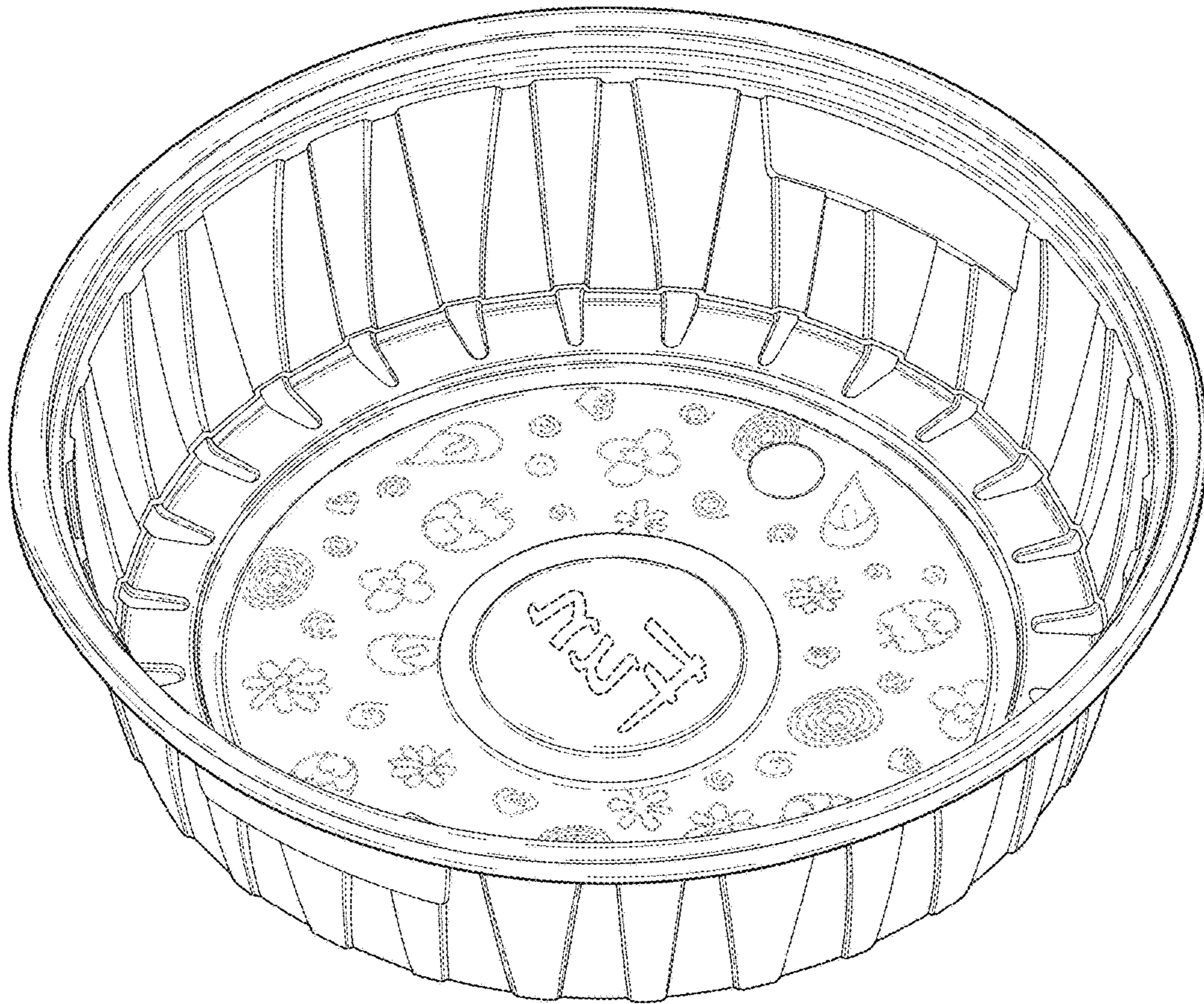


FIG. 1

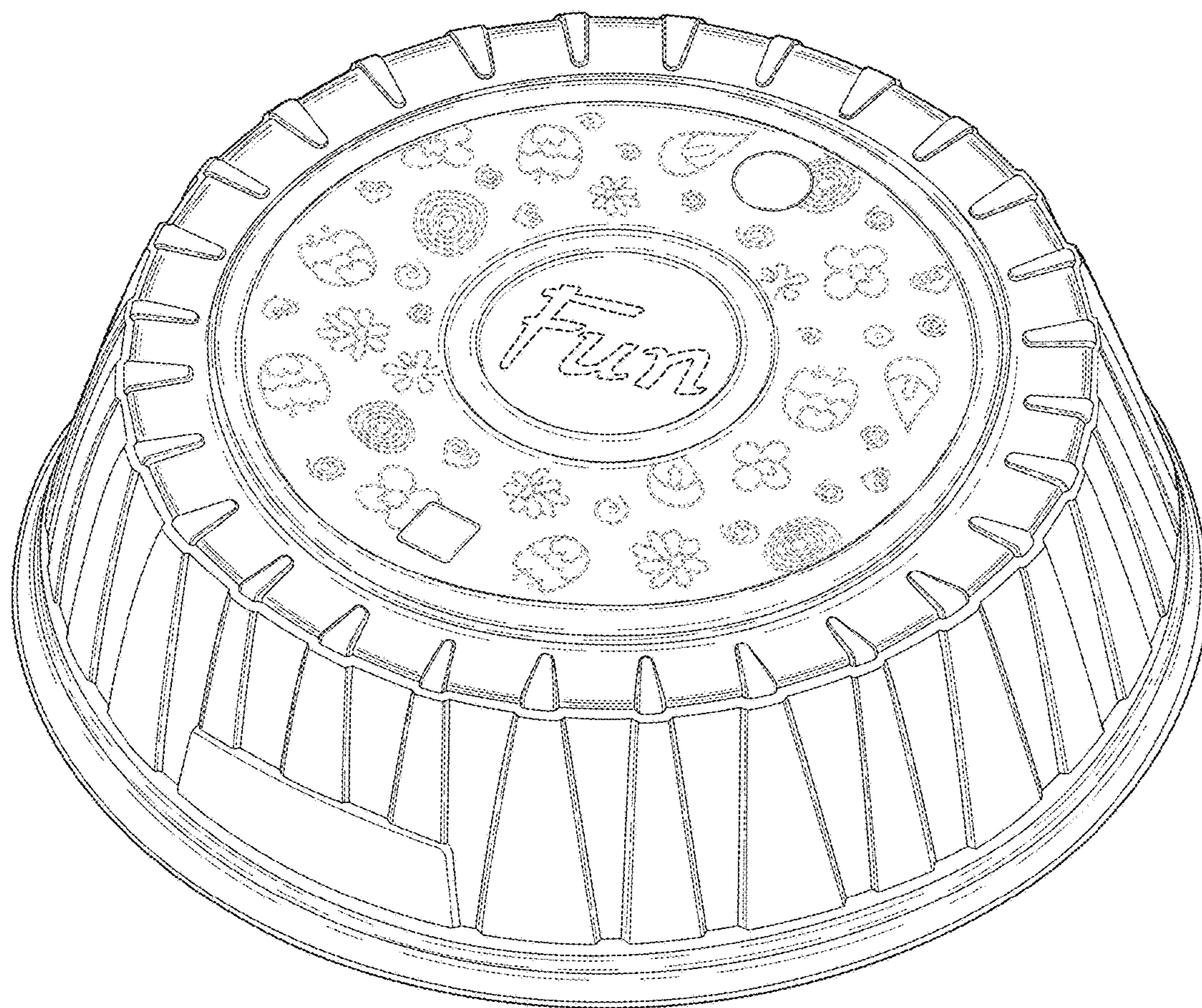


FIG. 2

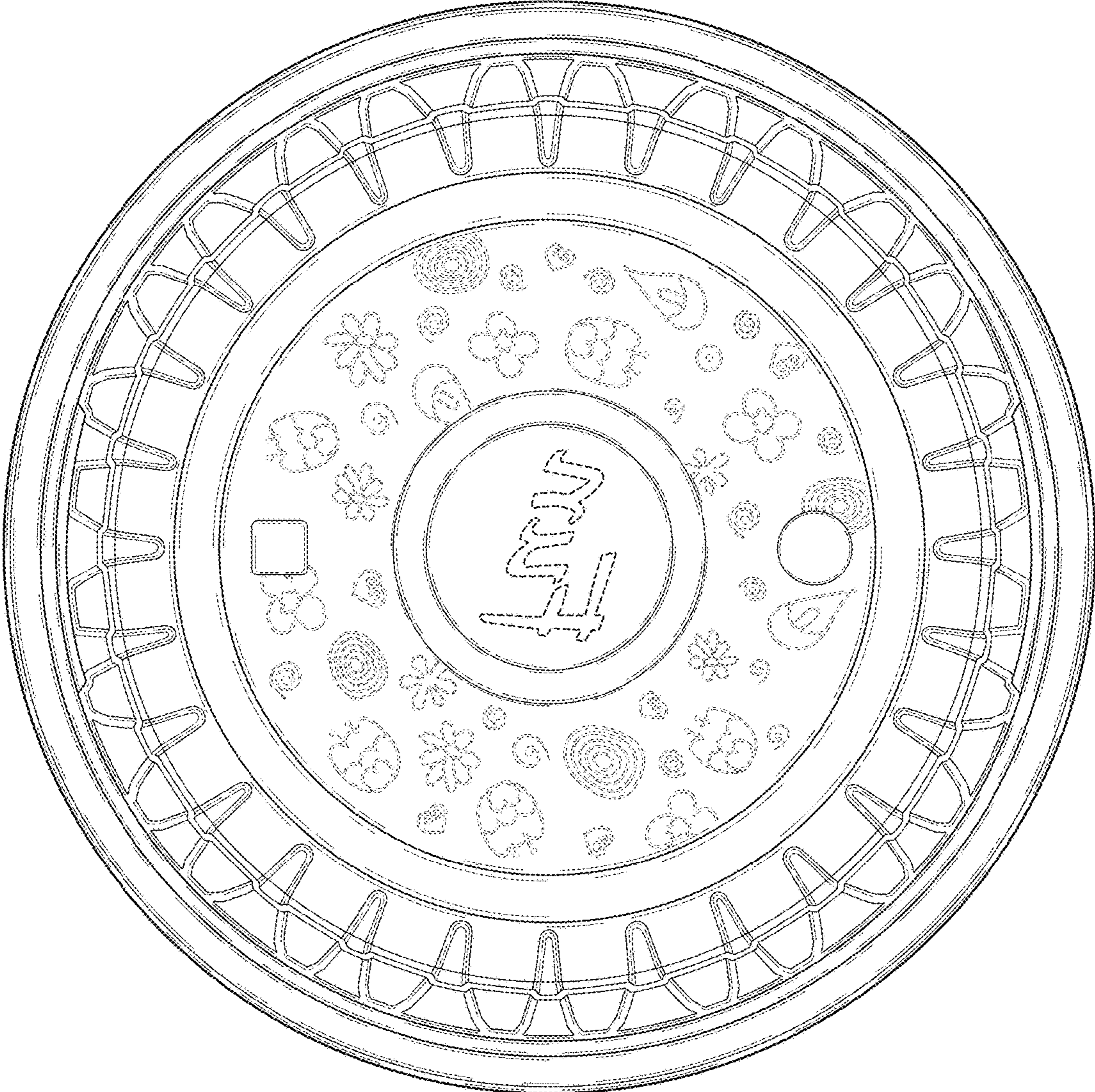


FIG. 3

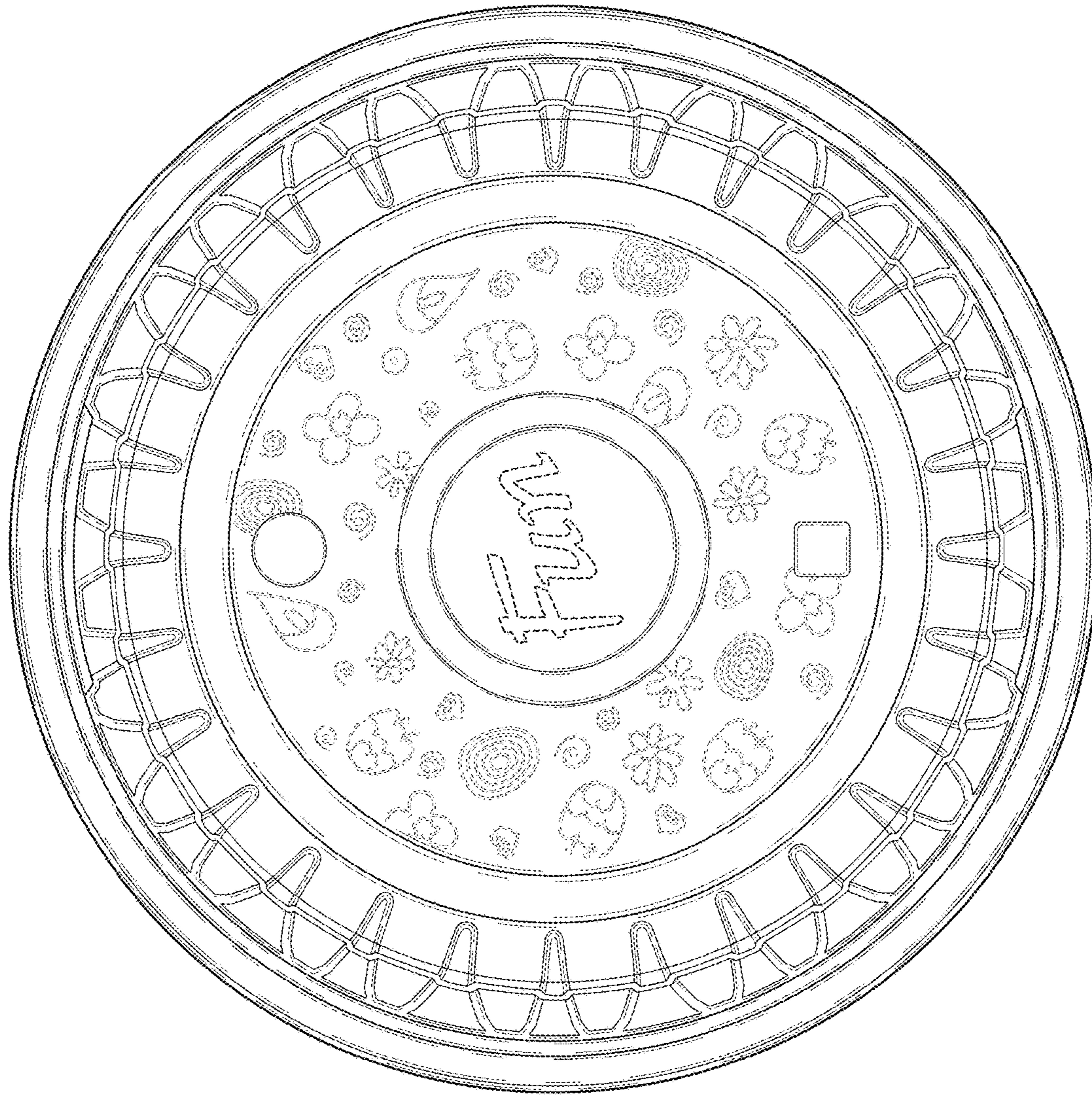


FIG. 4

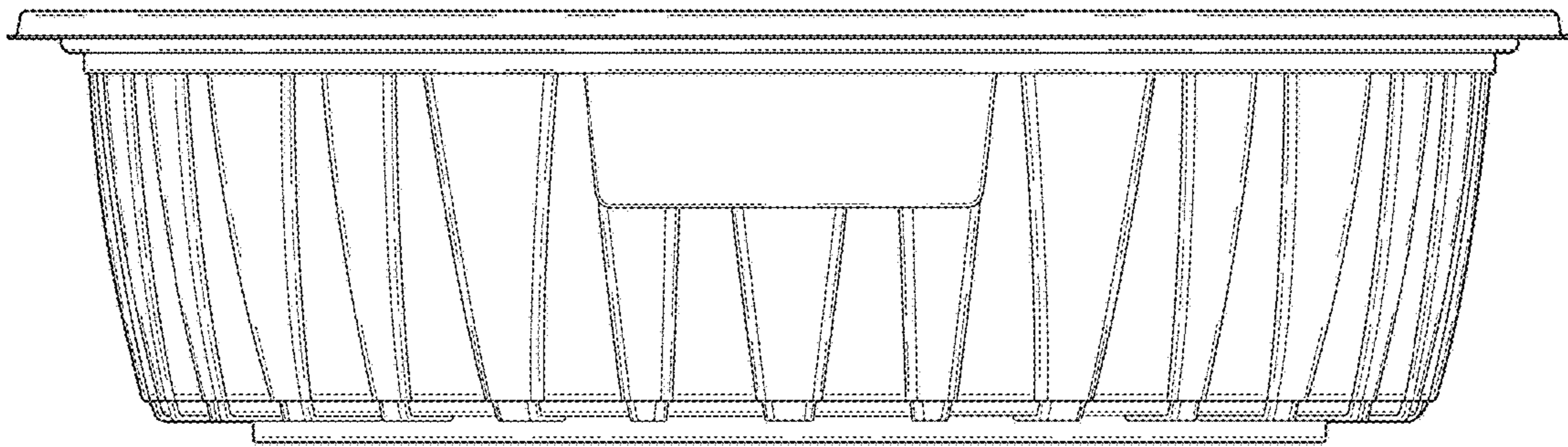


FIG. 5

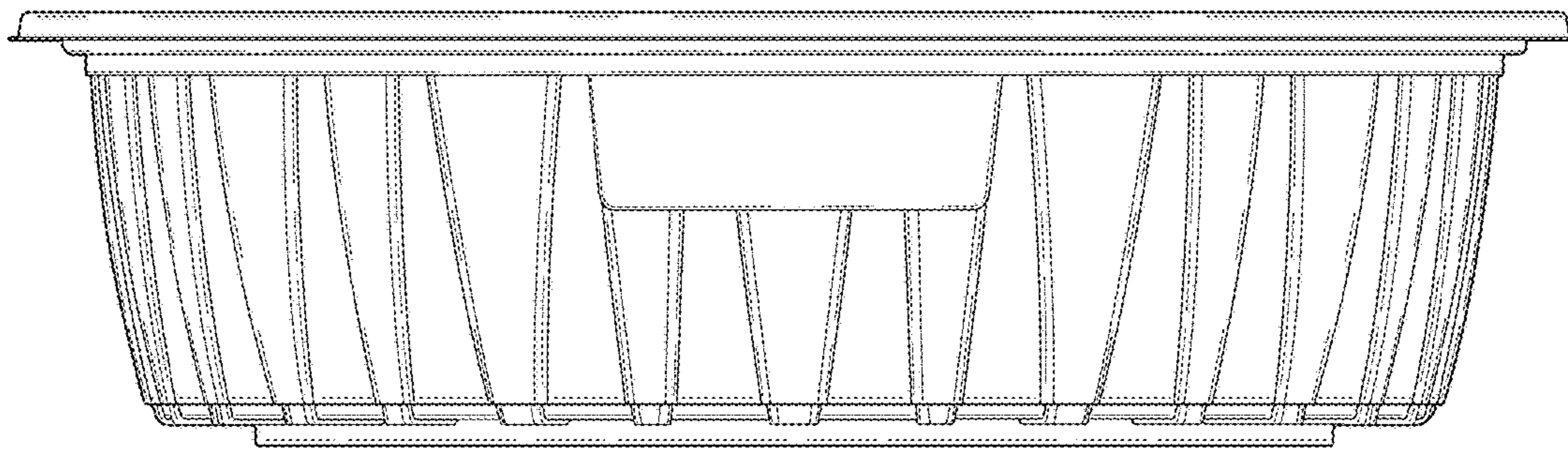


FIG. 6

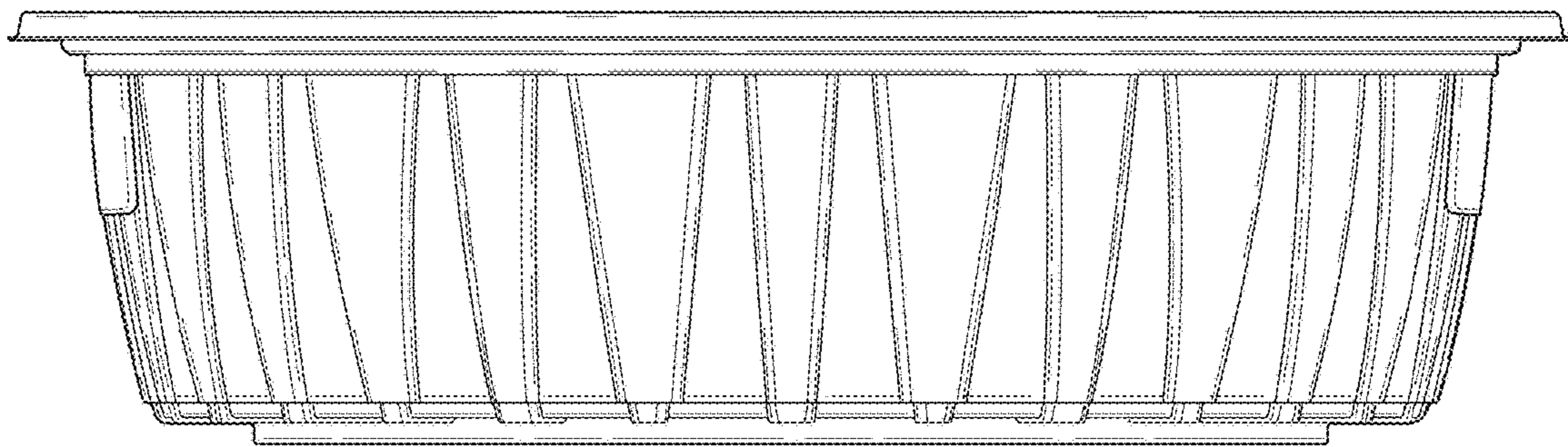


FIG. 7

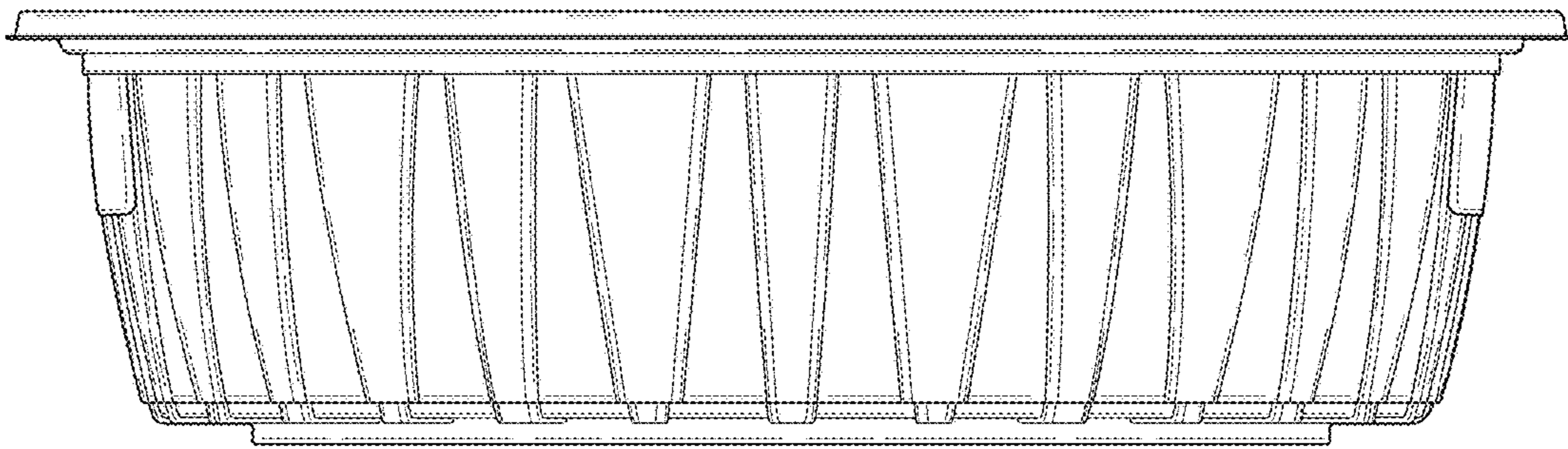


FIG. 8

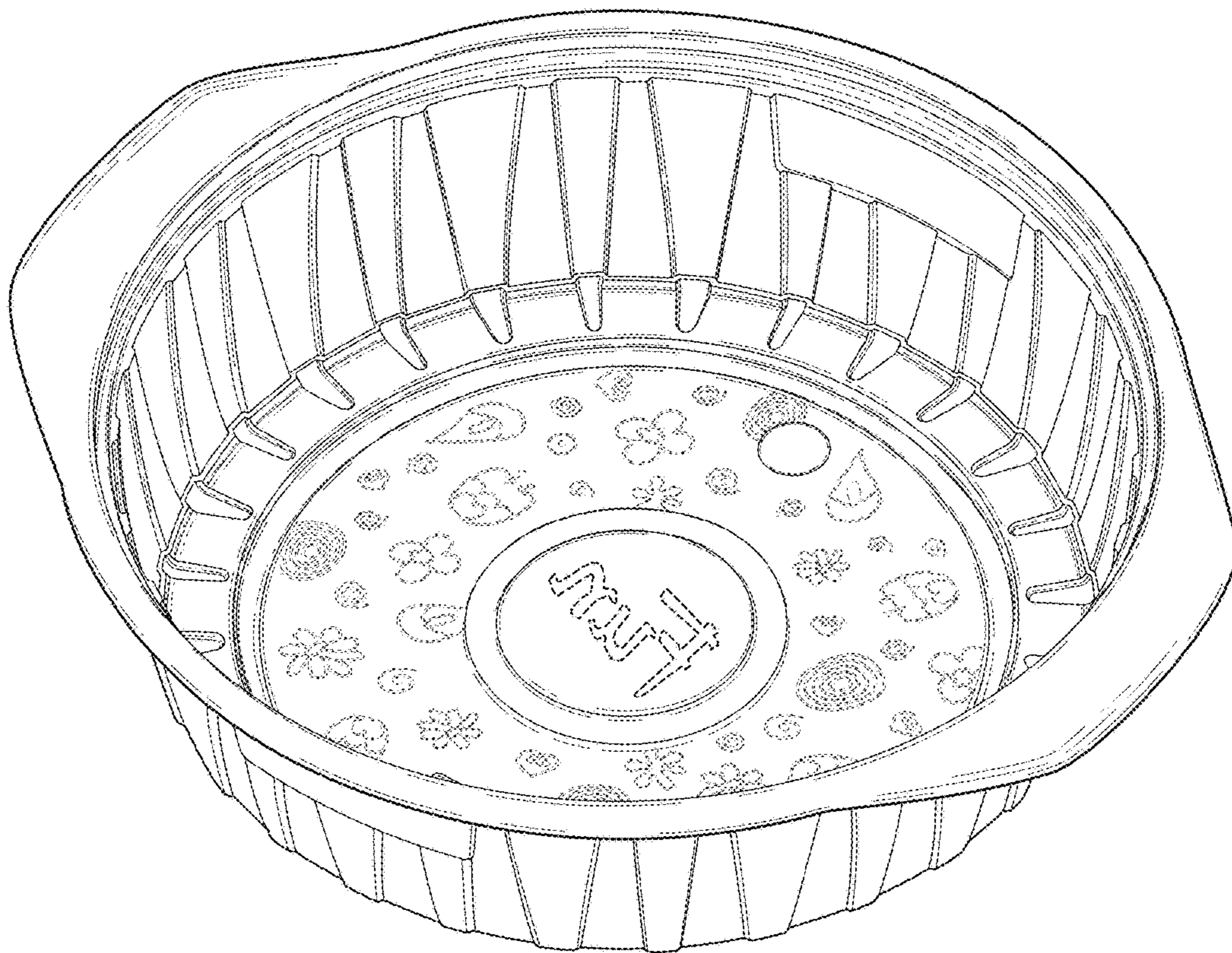


FIG. 9

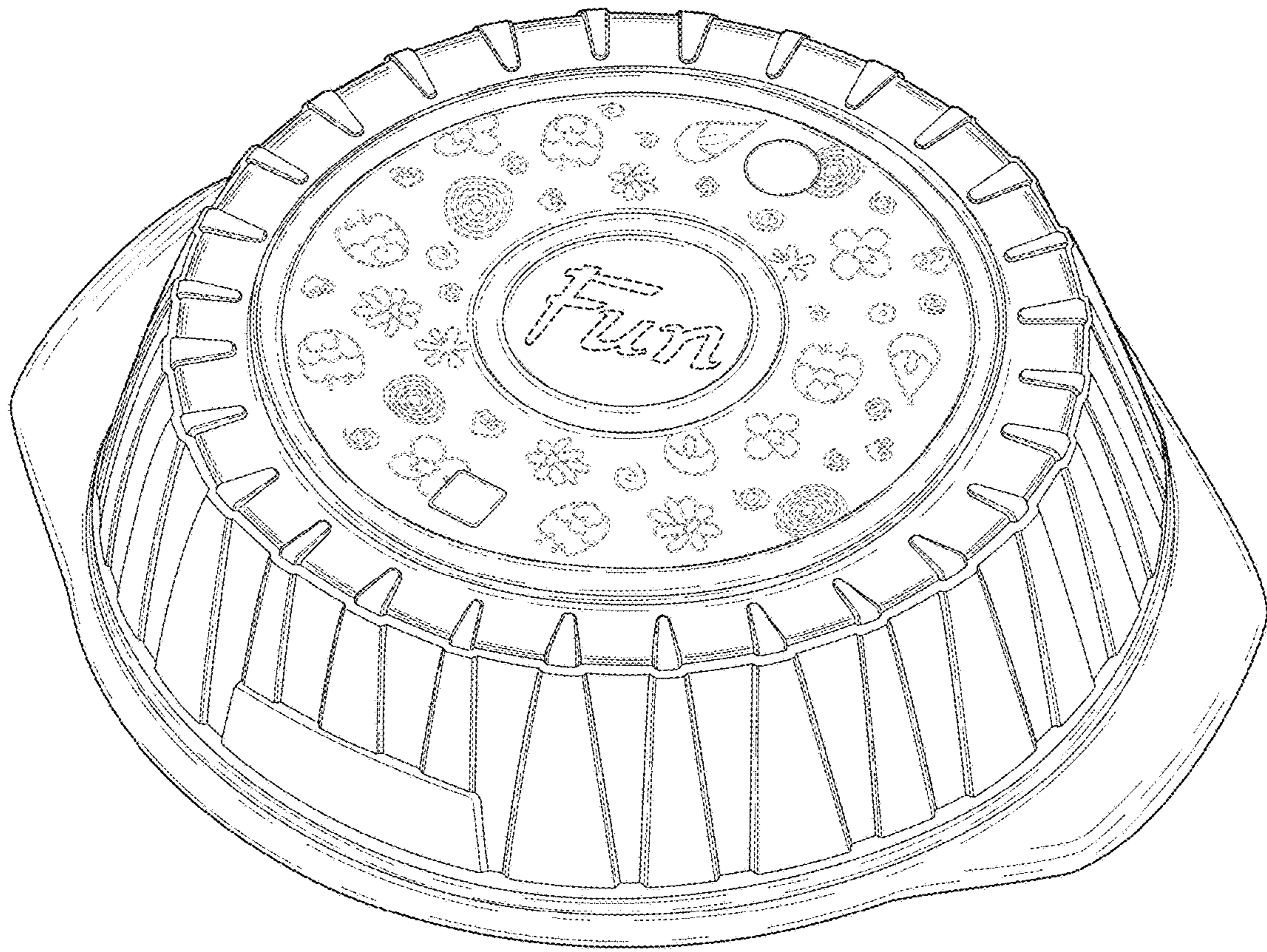


FIG. 10

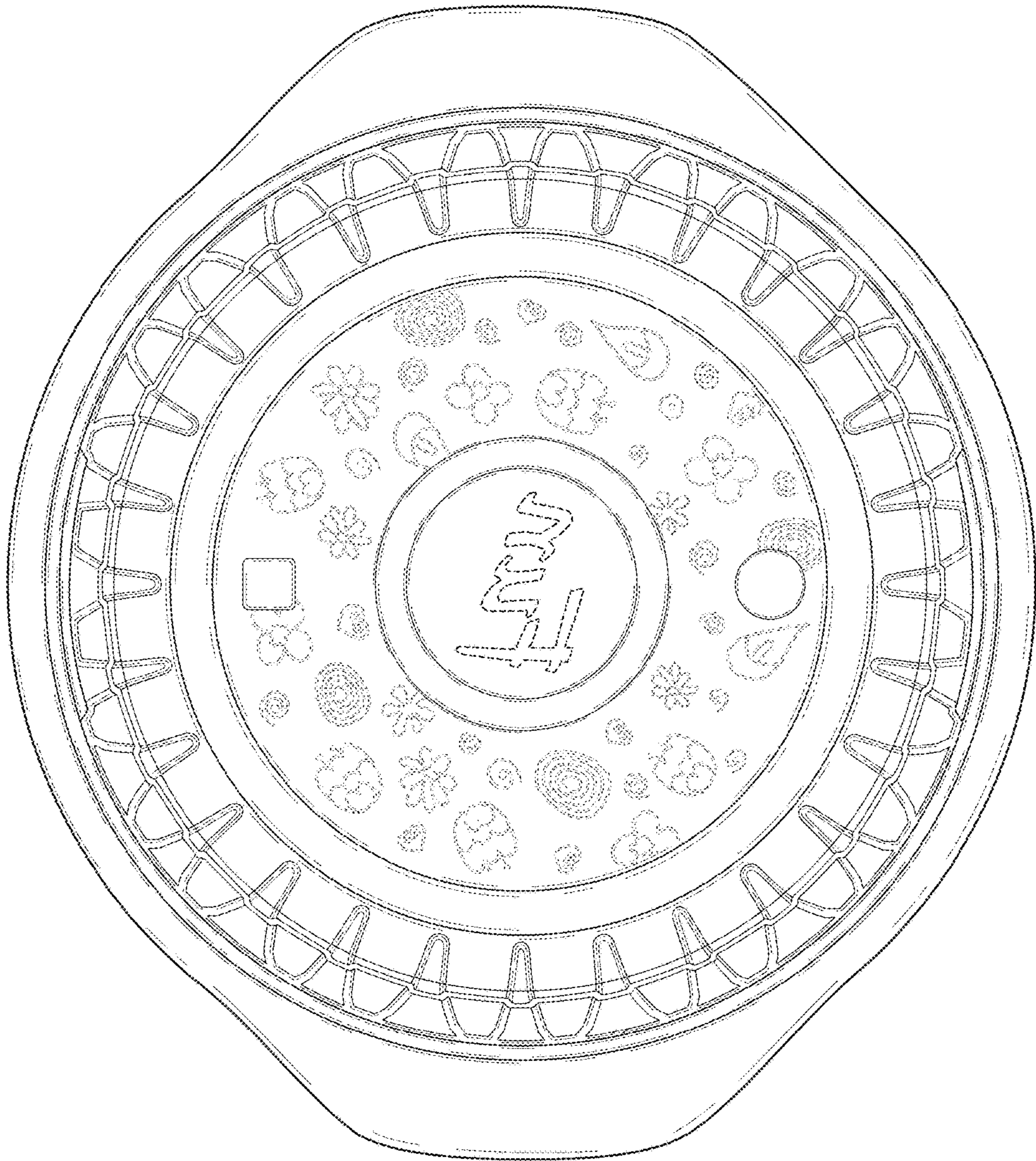


FIG. 11

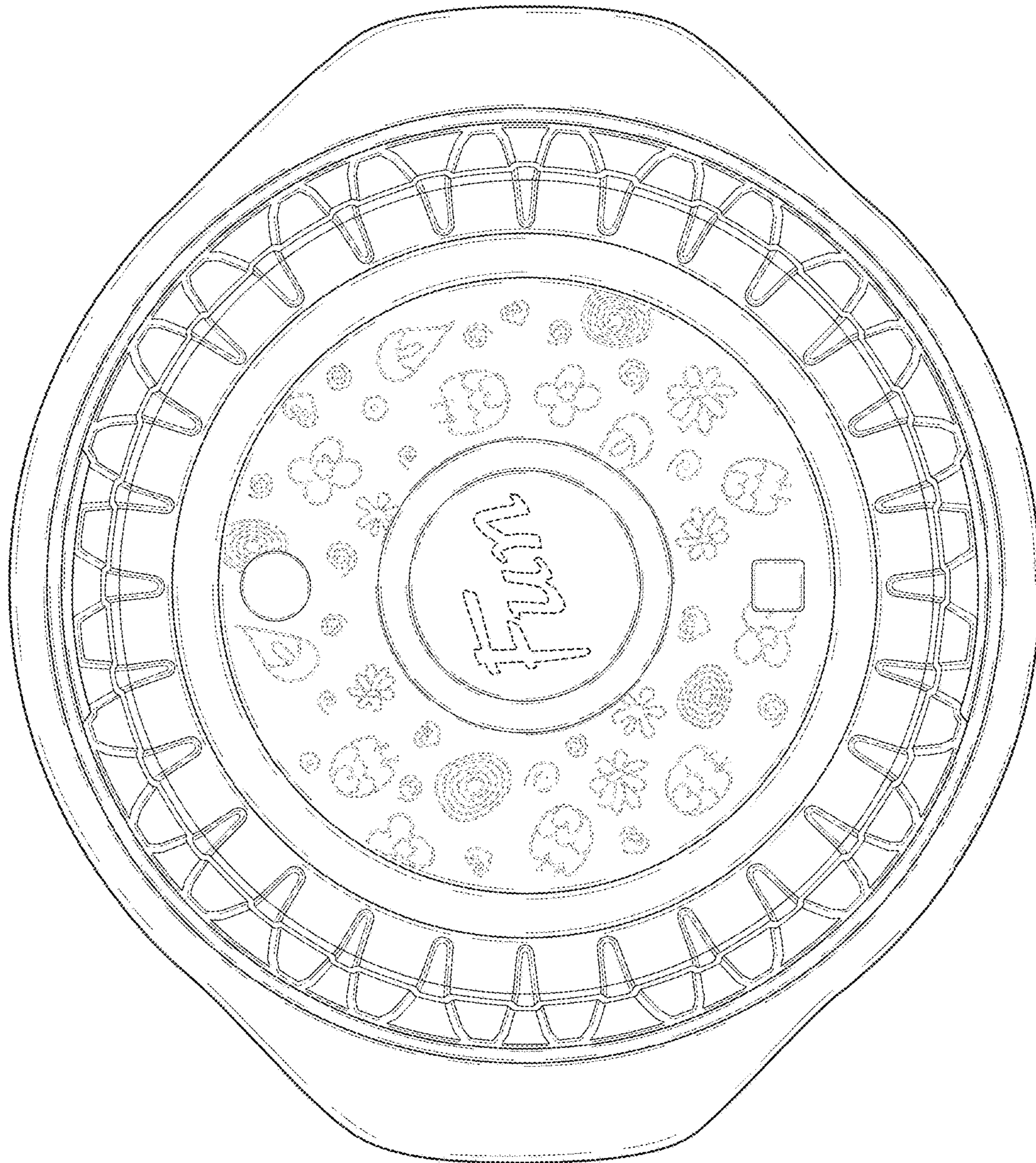


FIG. 12

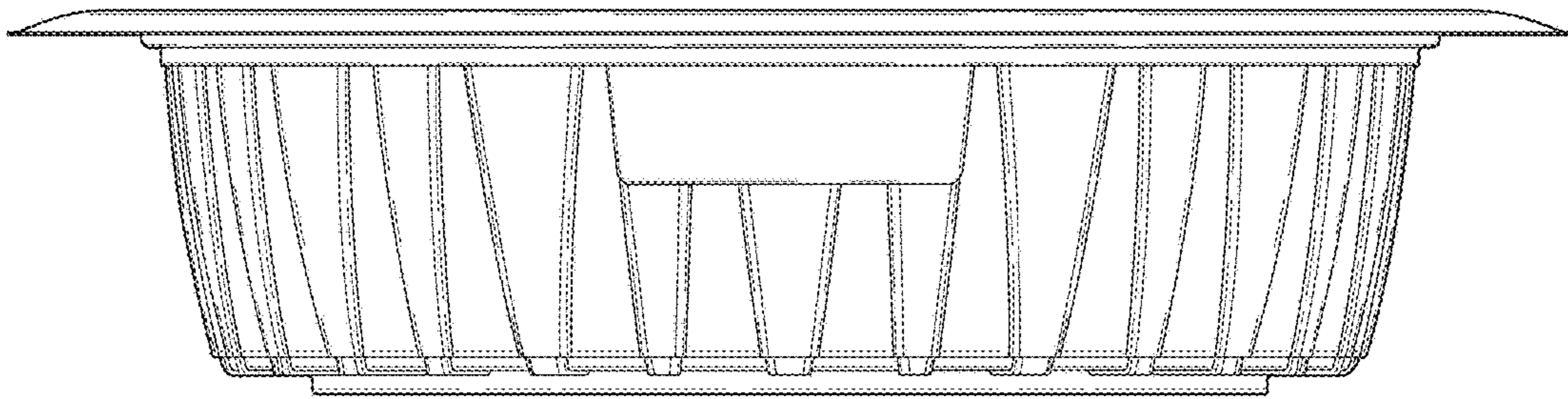


FIG. 13

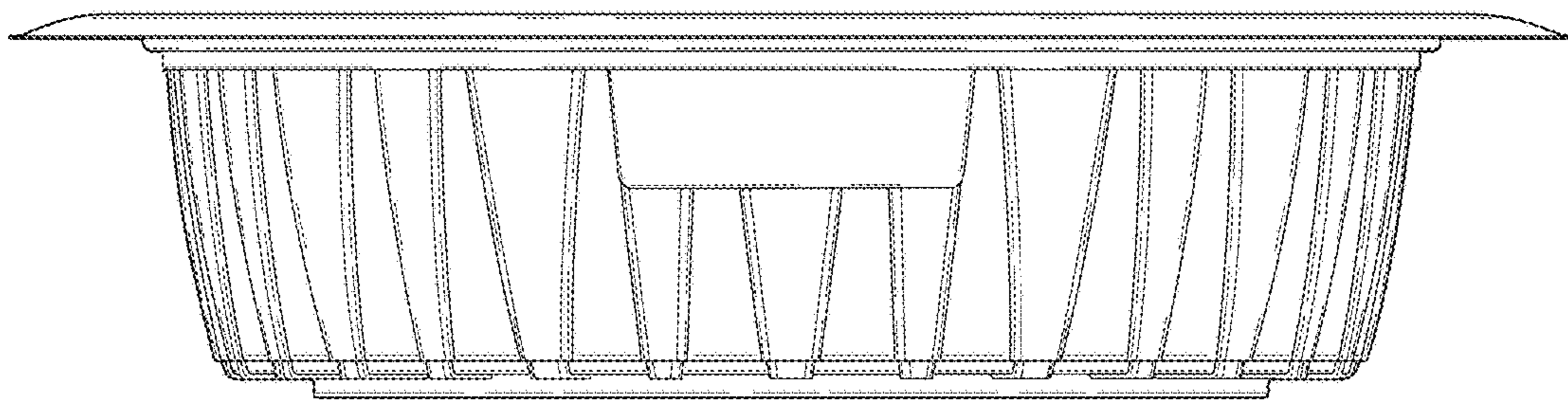


FIG. 14

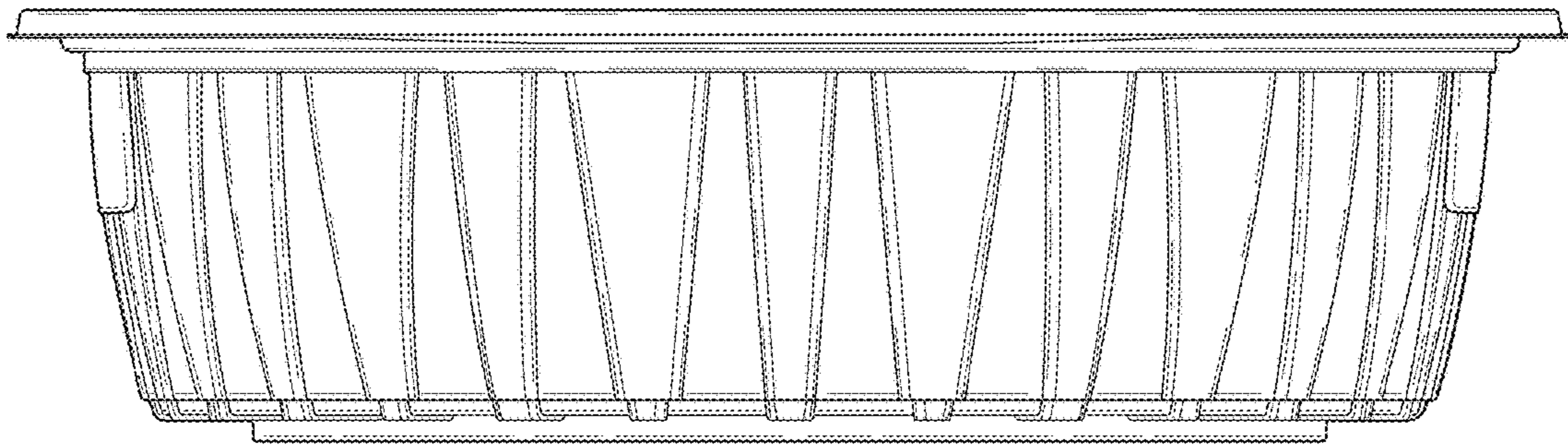


FIG. 15

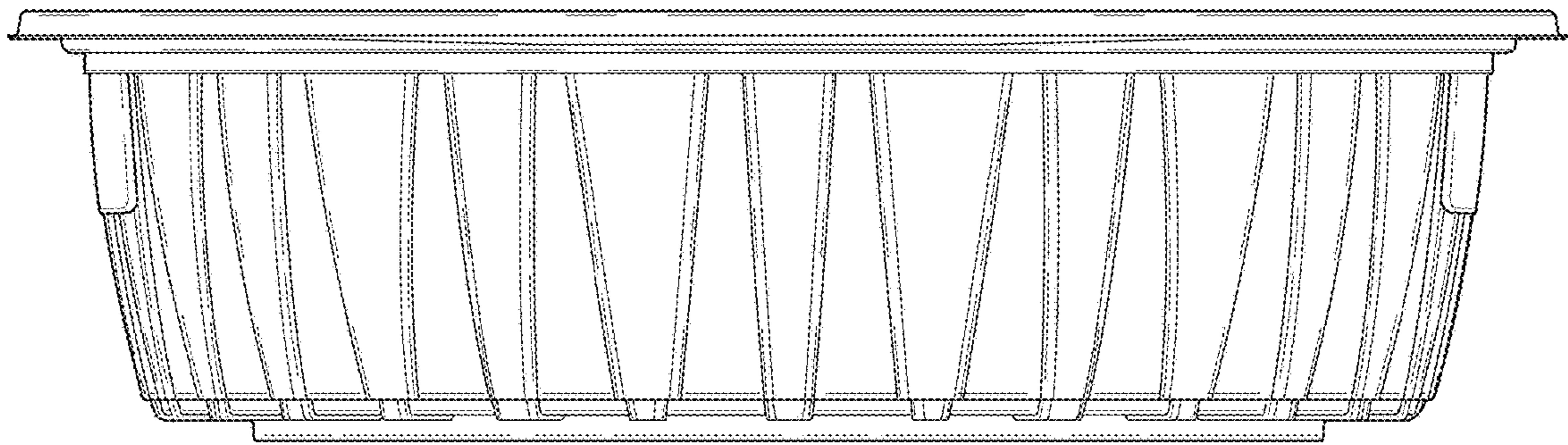


FIG. 16

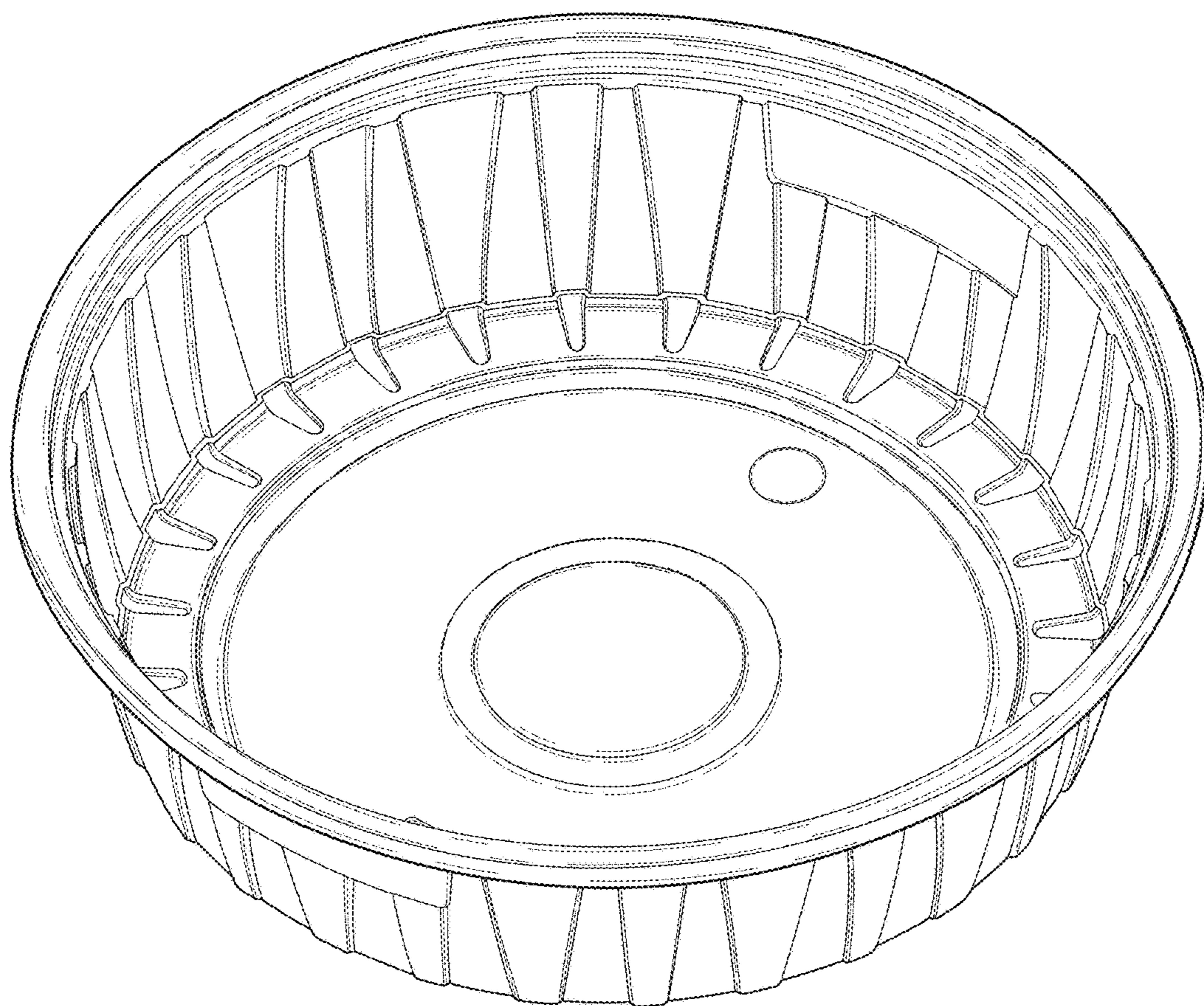


FIG. 17

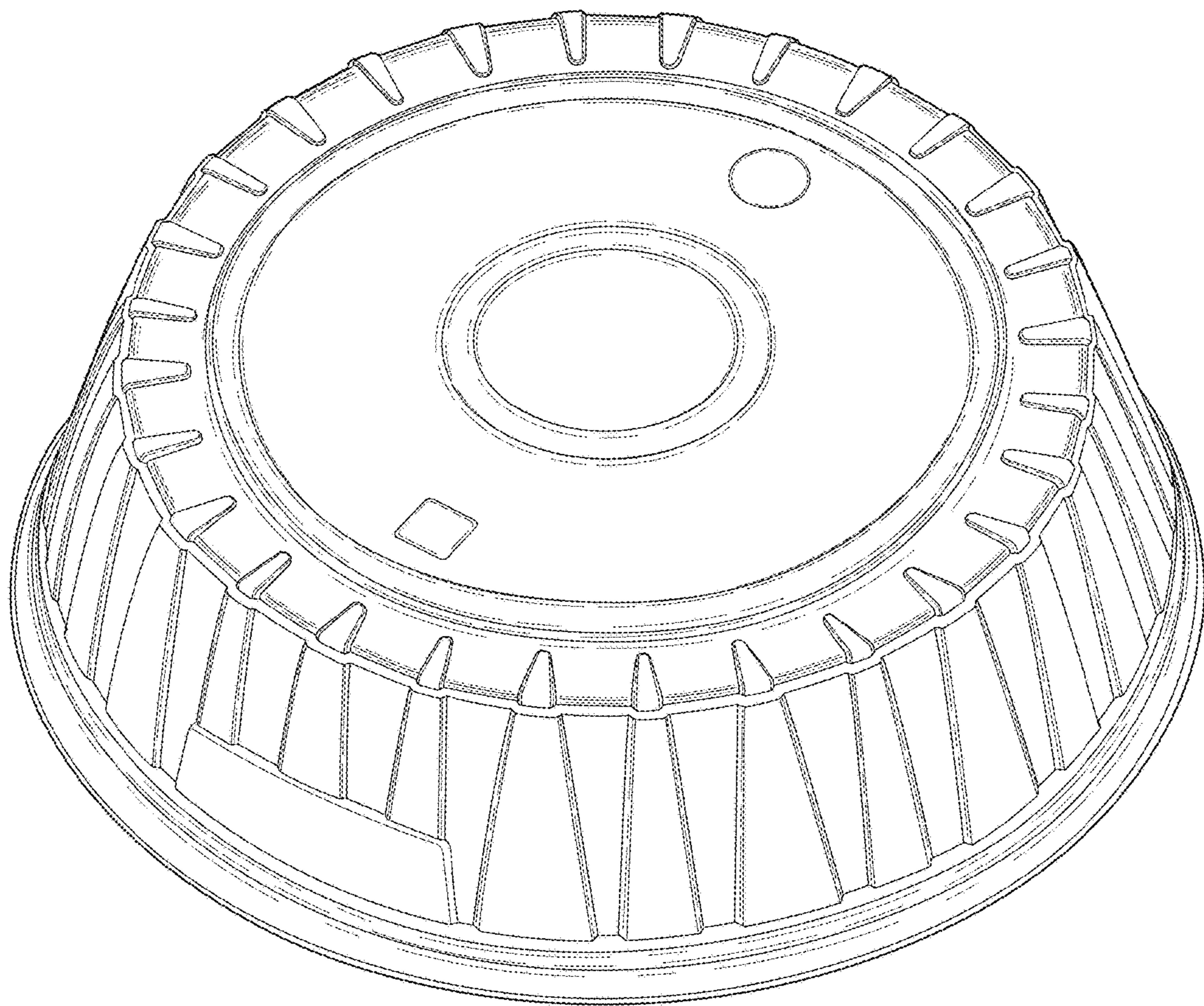


FIG. 18

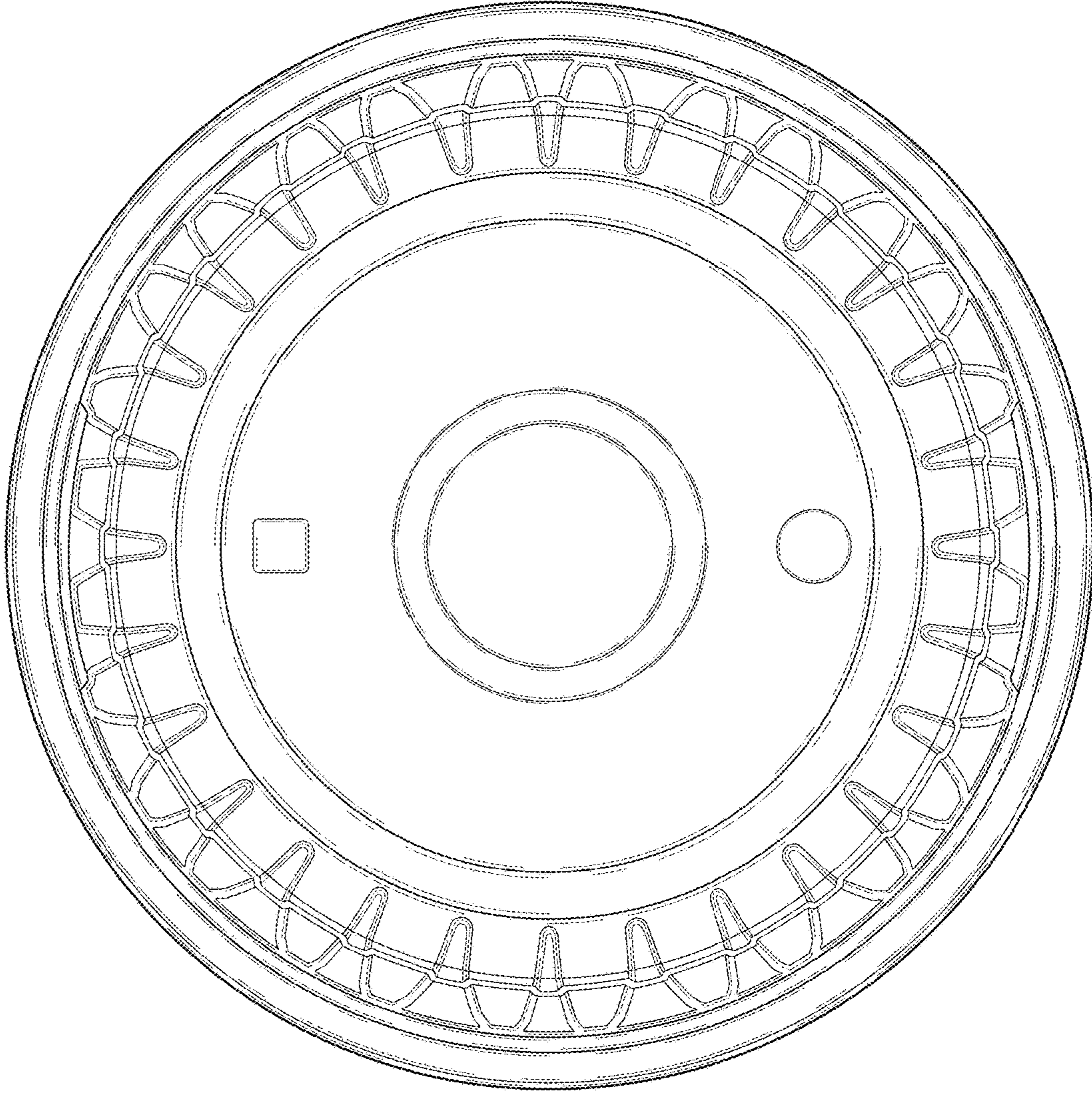


FIG. 19

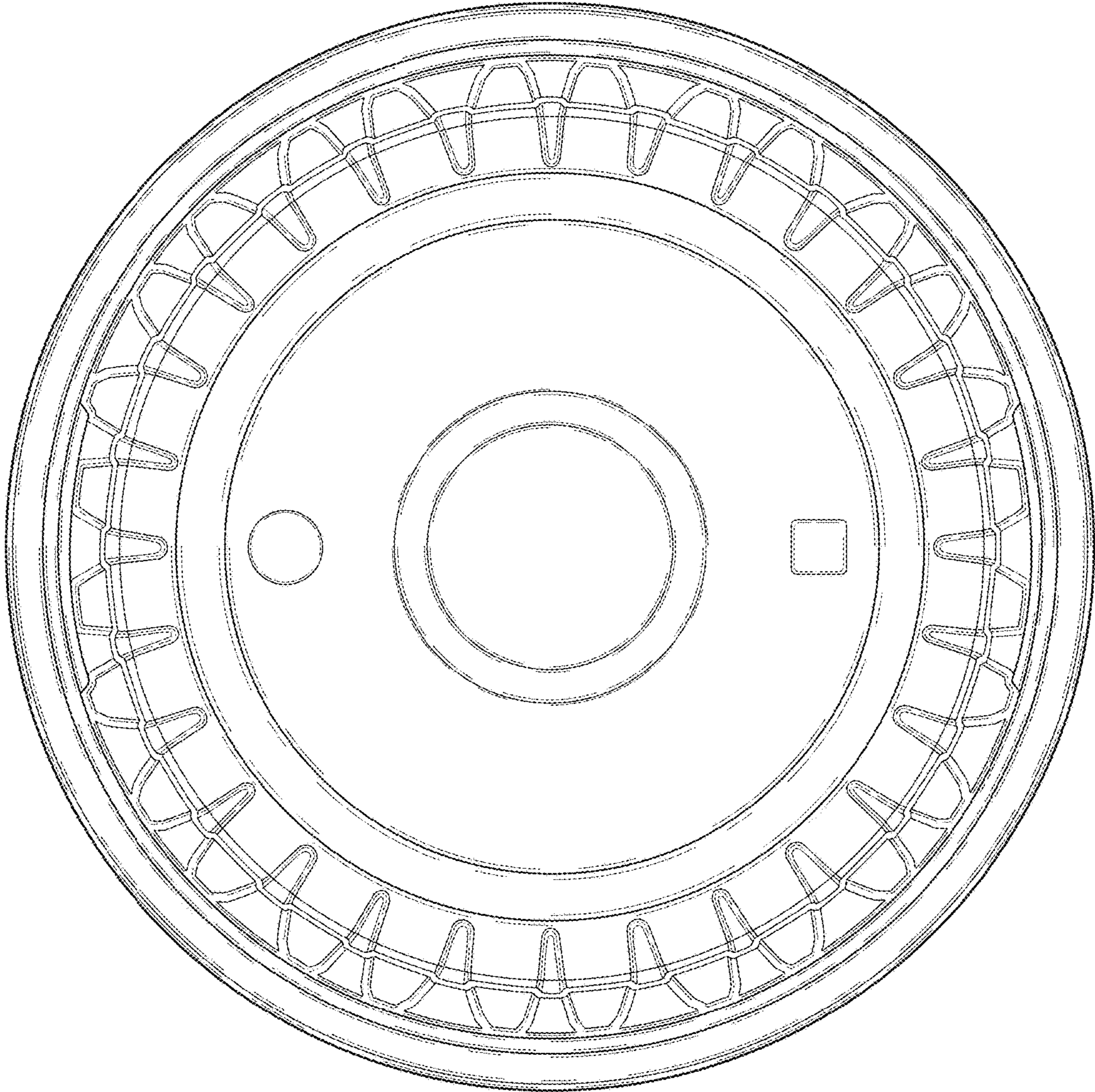


FIG. 20

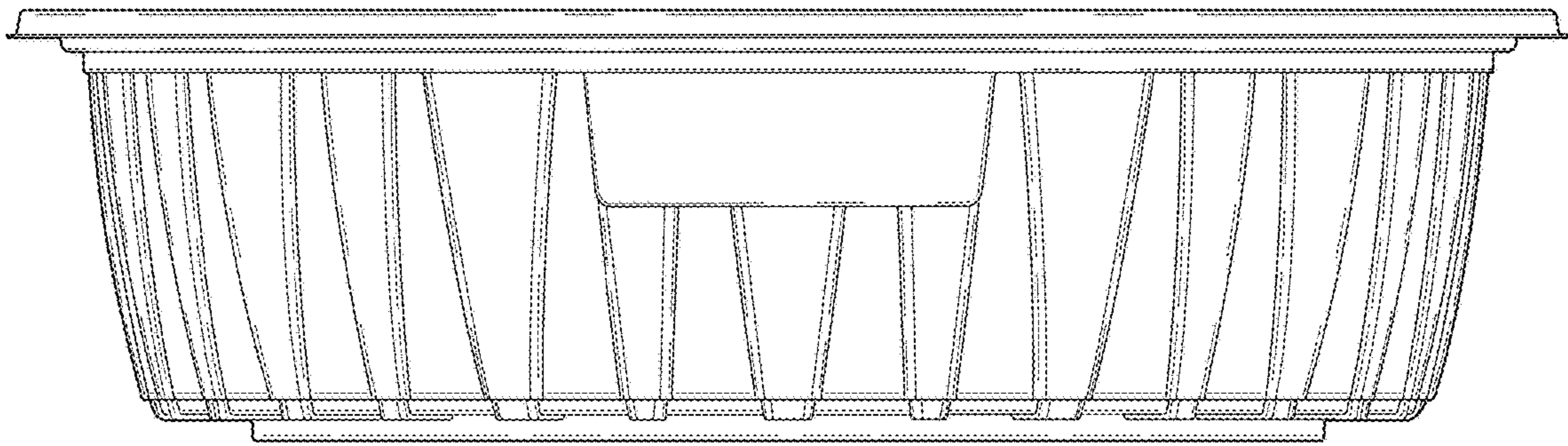


FIG. 21

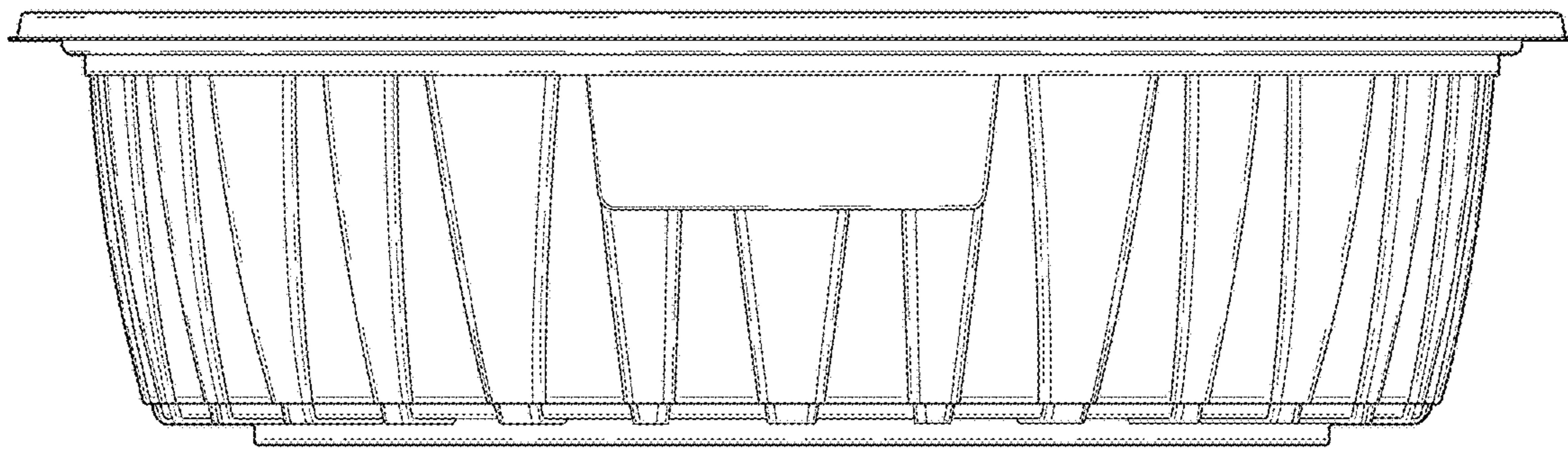


FIG. 22

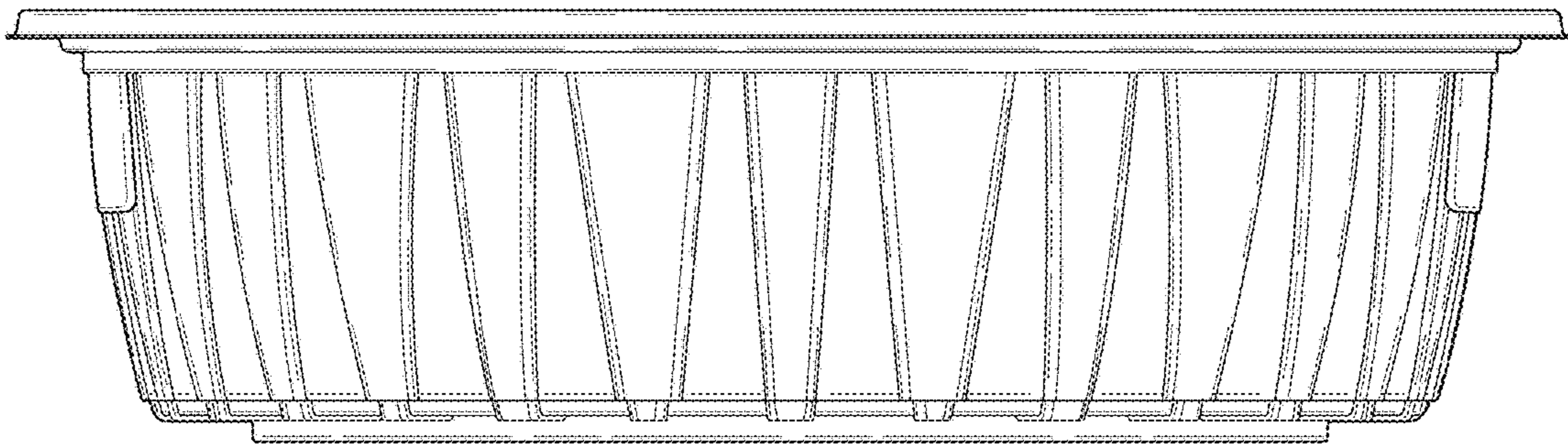


FIG. 23

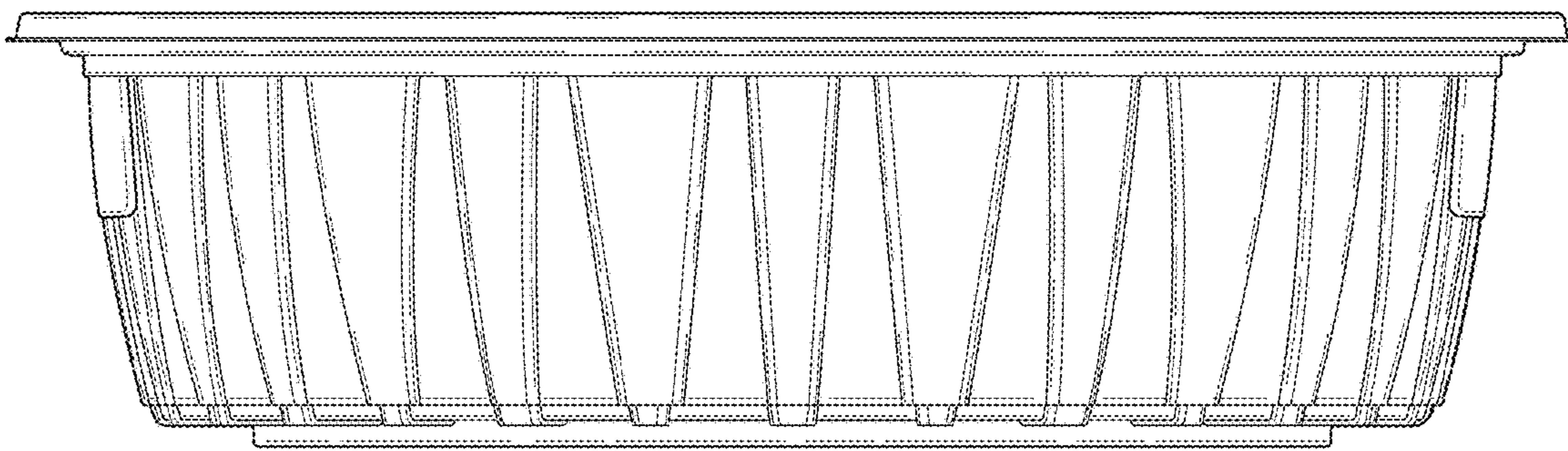


FIG. 24

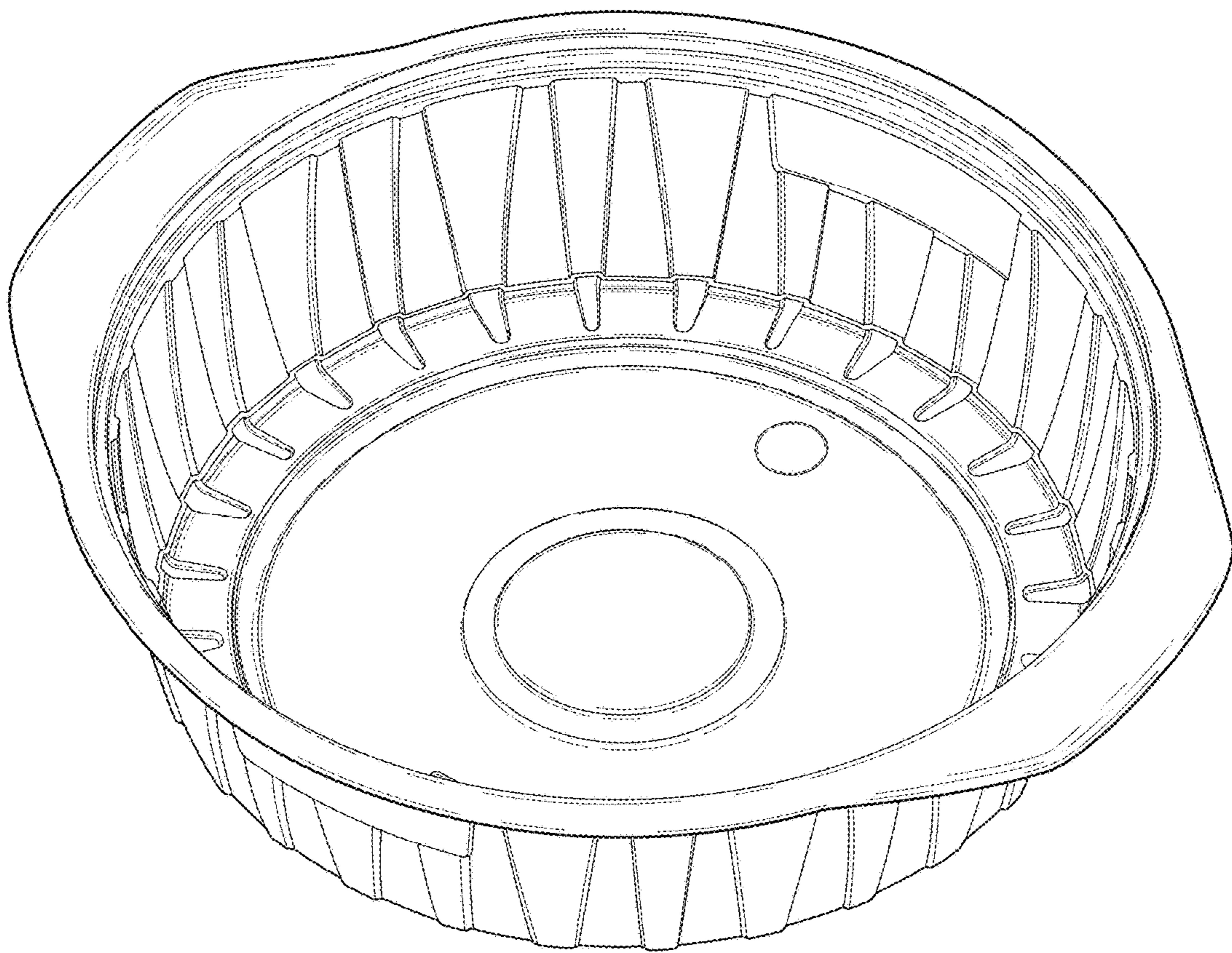


FIG. 25

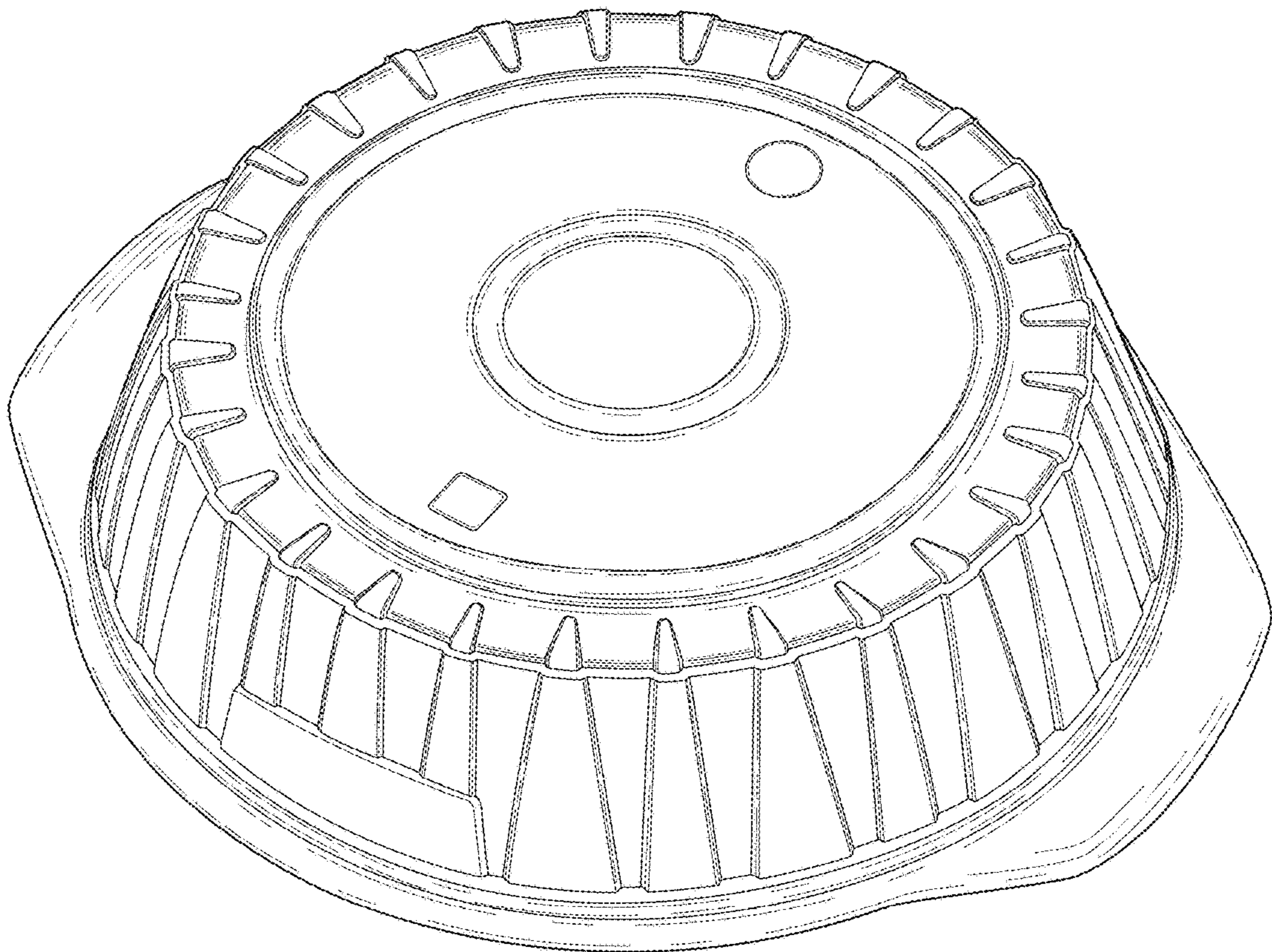


FIG. 26

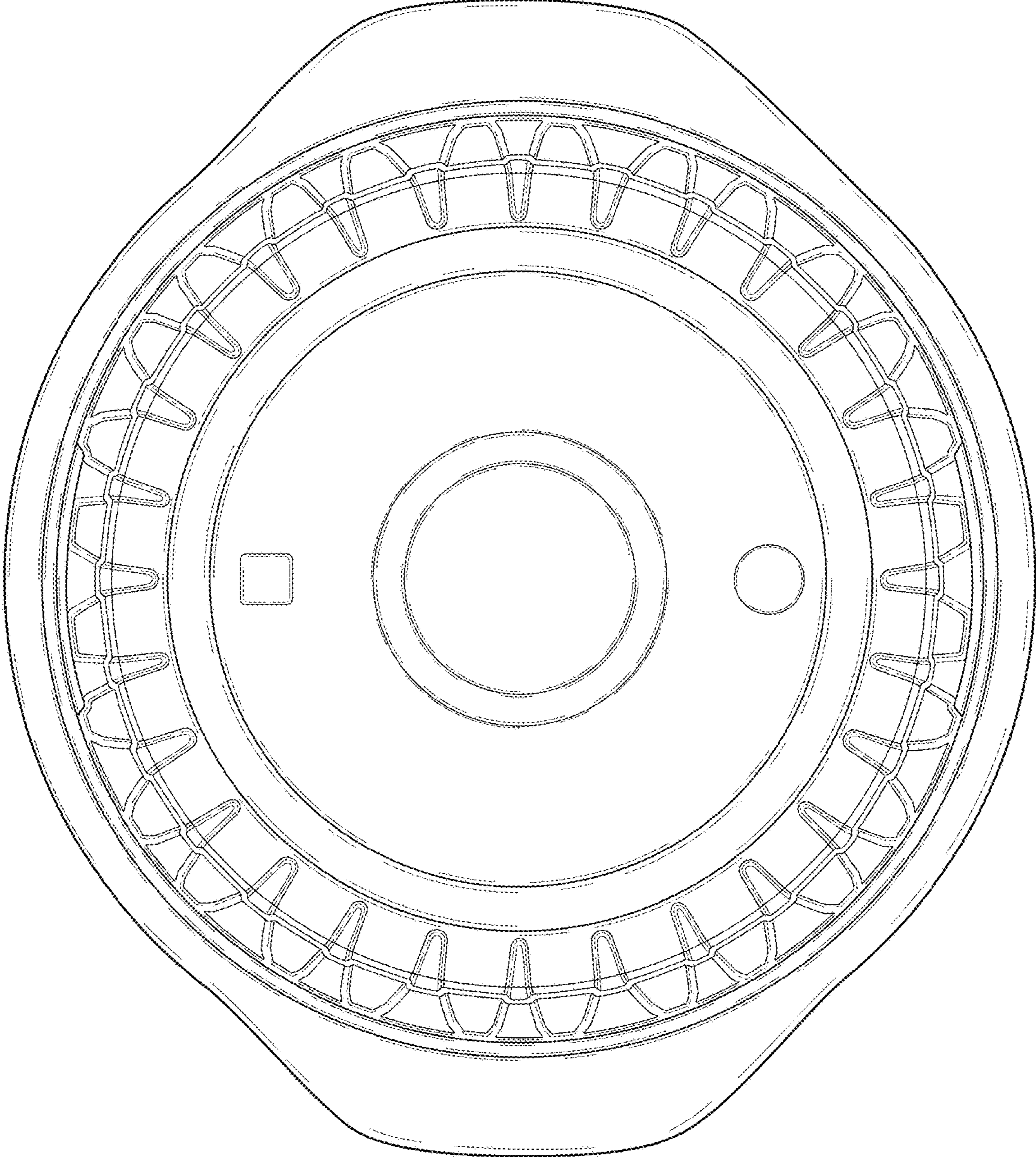


FIG. 27

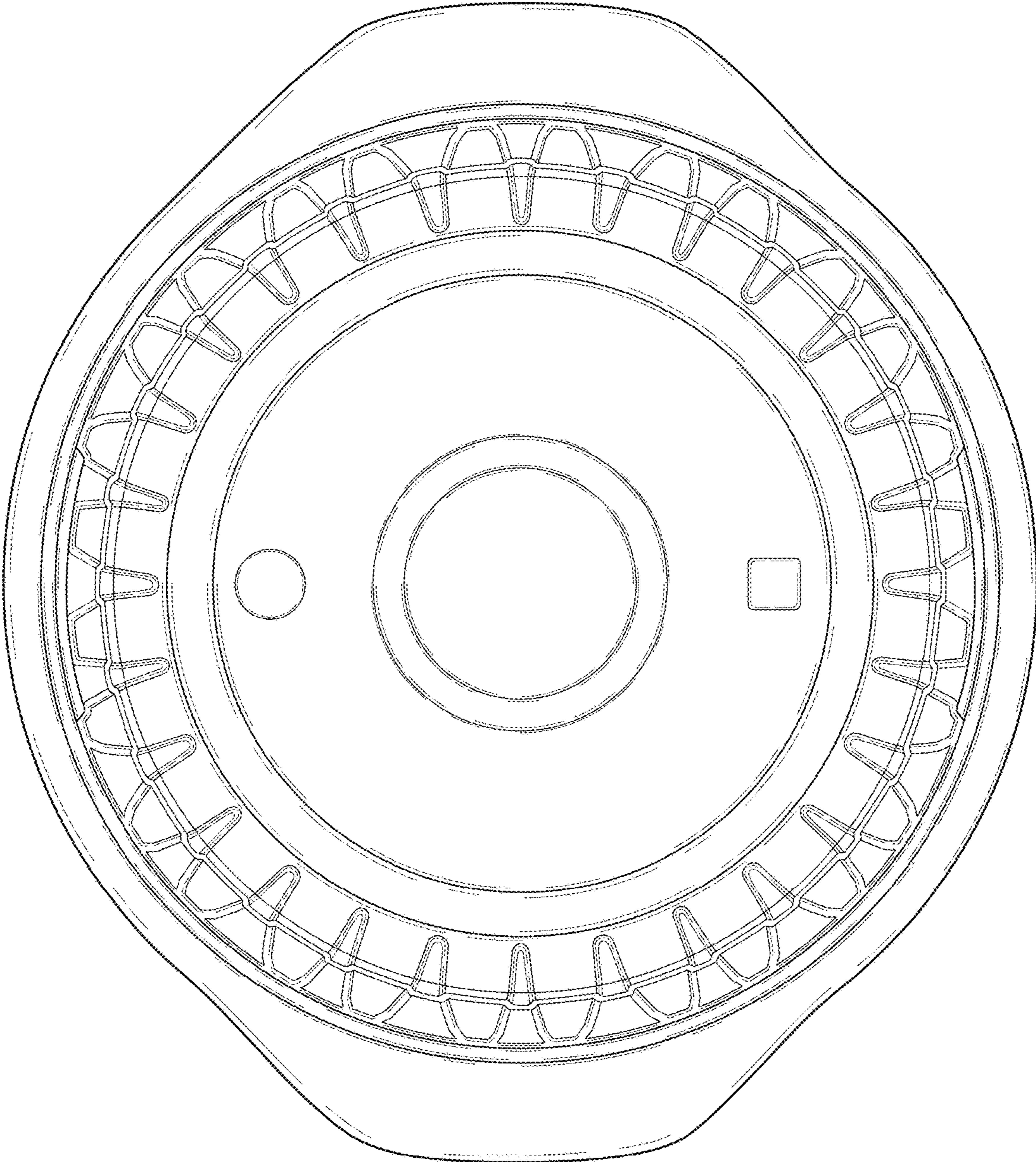


FIG. 28

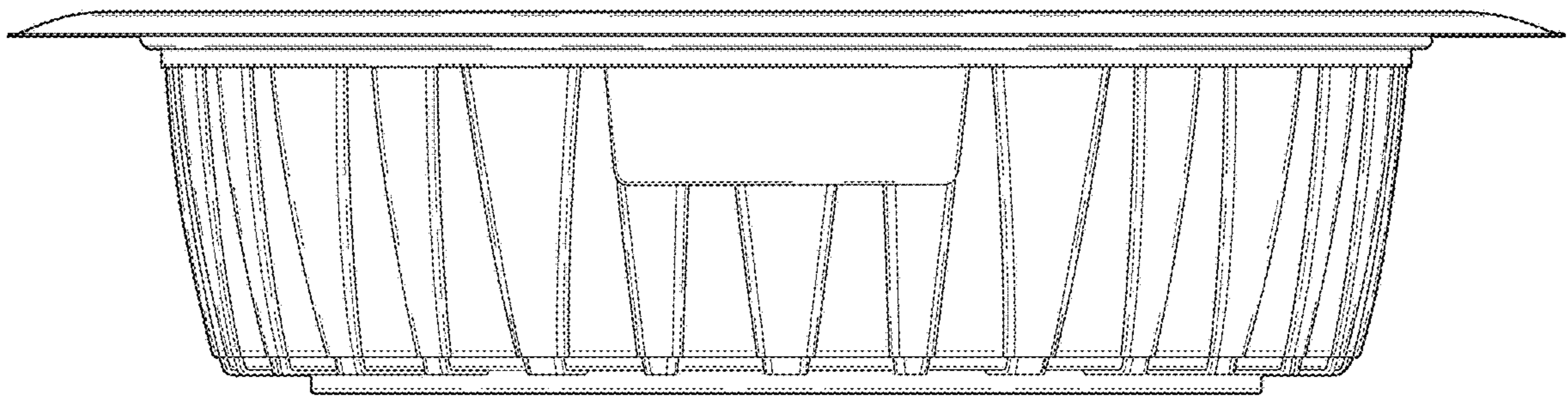


FIG. 29

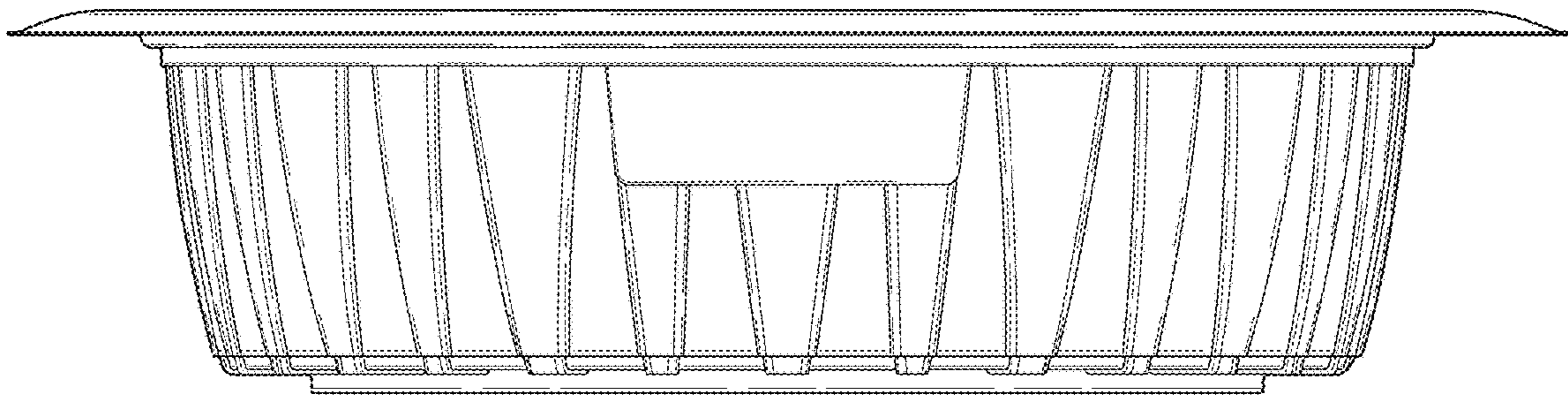


FIG. 30

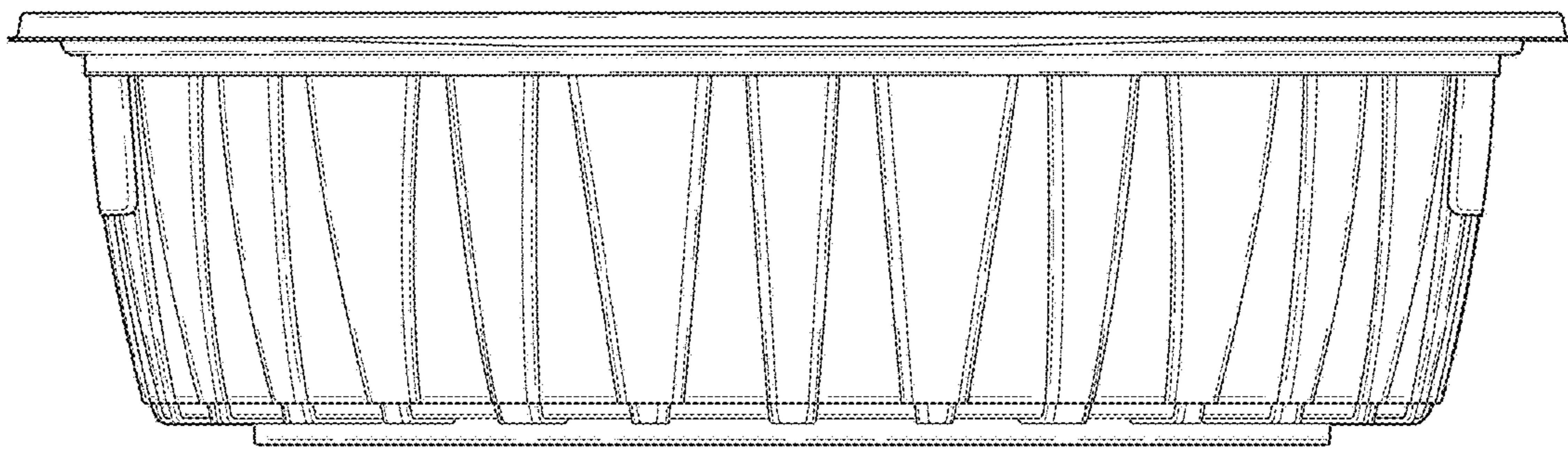


FIG. 31

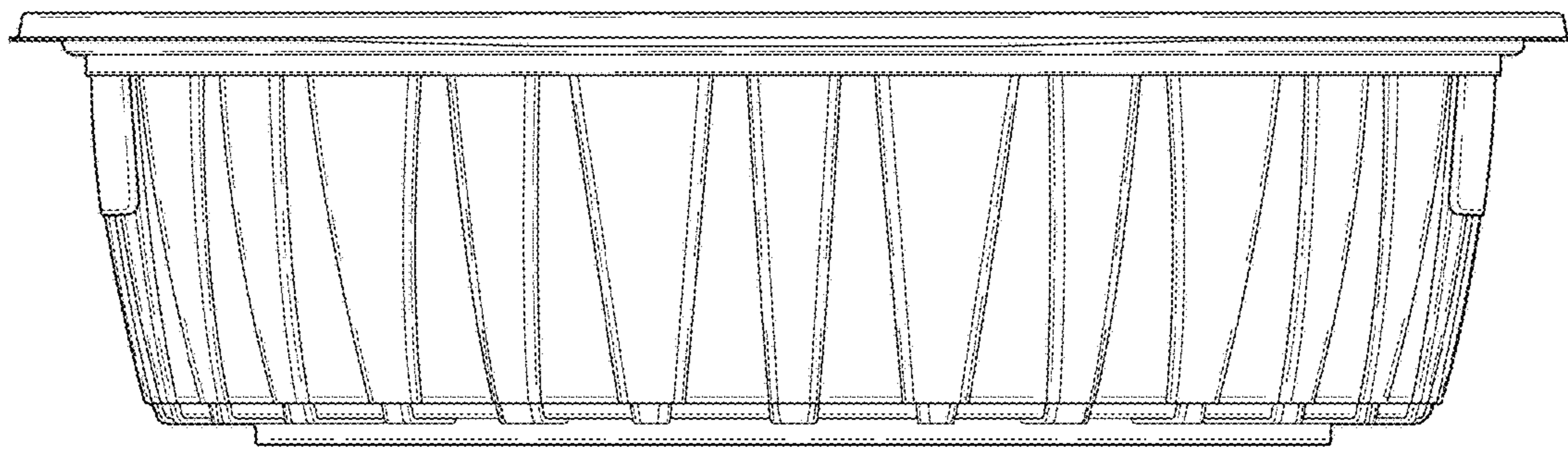


FIG. 32