



US00D817755S

(12) **United States Design Patent**  
**Kim et al.**

(10) **Patent No.:** **US D817,755 S**

(45) **Date of Patent:** **\*\* May 15, 2018**

- (54) **CONTAINER FOR COSMETICS**
- (71) Applicant: **Kolmar Korea Co., Ltd.**, Sejong-si (KR)
- (72) Inventors: **Hyung Sang Kim**, Sejong-si (KR); **Sung Bong Kye**, Sejong-si (KR); **Koo Sup Ahn**, Sejong-si (KR)
- (73) Assignee: **Kolmar Korea Co., Ltd.**, Sejong-si (KR)
- (\*\*) Term: **15 Years**
- (21) Appl. No.: **29/605,048**
- (22) Filed: **May 23, 2017**

- 1,524,559 A \* 1/1925 Kline ..... A45D 33/006  
132/294
- D67,545 S \* 6/1925 Powel ..... D28/82
- 1,540,349 A \* 6/1925 Loesser ..... A45D 33/006  
132/295
- 1,672,270 A \* 6/1928 Eriksen ..... A45D 33/006  
132/294
- 1,744,681 A \* 1/1930 Callowhill ..... A45D 33/006  
132/294
- D439,376 S \* 3/2001 Lerolle ..... D28/82
- D473,345 S \* 4/2003 Thorpe ..... D28/82
- D496,759 S \* 9/2004 Rodriguez ..... D28/82
- D523,177 S \* 6/2006 Ashiwa ..... D28/82
- D606,365 S \* 12/2009 Roth ..... D7/523
- D626,289 S \* 10/2010 Lee ..... D28/82
- D650,267 S \* 12/2011 Gibson ..... D9/420
- D756,567 S \* 5/2016 Pires ..... D28/84
- D762,990 S \* 8/2016 Hwang ..... D4/138
- D798,603 S \* 10/2017 Hwang ..... D4/127

(Continued)

(30) **Foreign Application Priority Data**

Nov. 23, 2016 (KR) ..... 30-2016-0056307

(51) **LOC (11) Cl.** ..... **09-03**

(52) **U.S. Cl.**  
USPC ..... **D9/420**

(58) **Field of Classification Search**  
USPC ..... D9/420, 421, 424-426, 428-430, 434,  
D9/435, 503, 504, 522, 529; D28/8, 58,  
D28/59, 64.1, 64.6, 76-78, 82, 84, 89,  
D28/91; D7/629  
CPC .... A45D 33/00-33/003; A45D 33/006; B65D  
85/1045; B65D 5/00; B65D 5/542; B65D  
2207/00

See application file for complete search history.

(56) **References Cited**

**U.S. PATENT DOCUMENTS**

- 963,212 A \* 7/1910 Davis ..... A45D 33/006  
132/294
- 1,461,923 A \* 7/1923 Lock ..... A45D 33/006  
132/295

*Primary Examiner* — Barbara Fox

*Assistant Examiner* — Mehri F Bajoul

(74) *Attorney, Agent, or Firm* — Novick, Kim & Lee, PLLC; Sang Ho Lee

(57) **CLAIM**

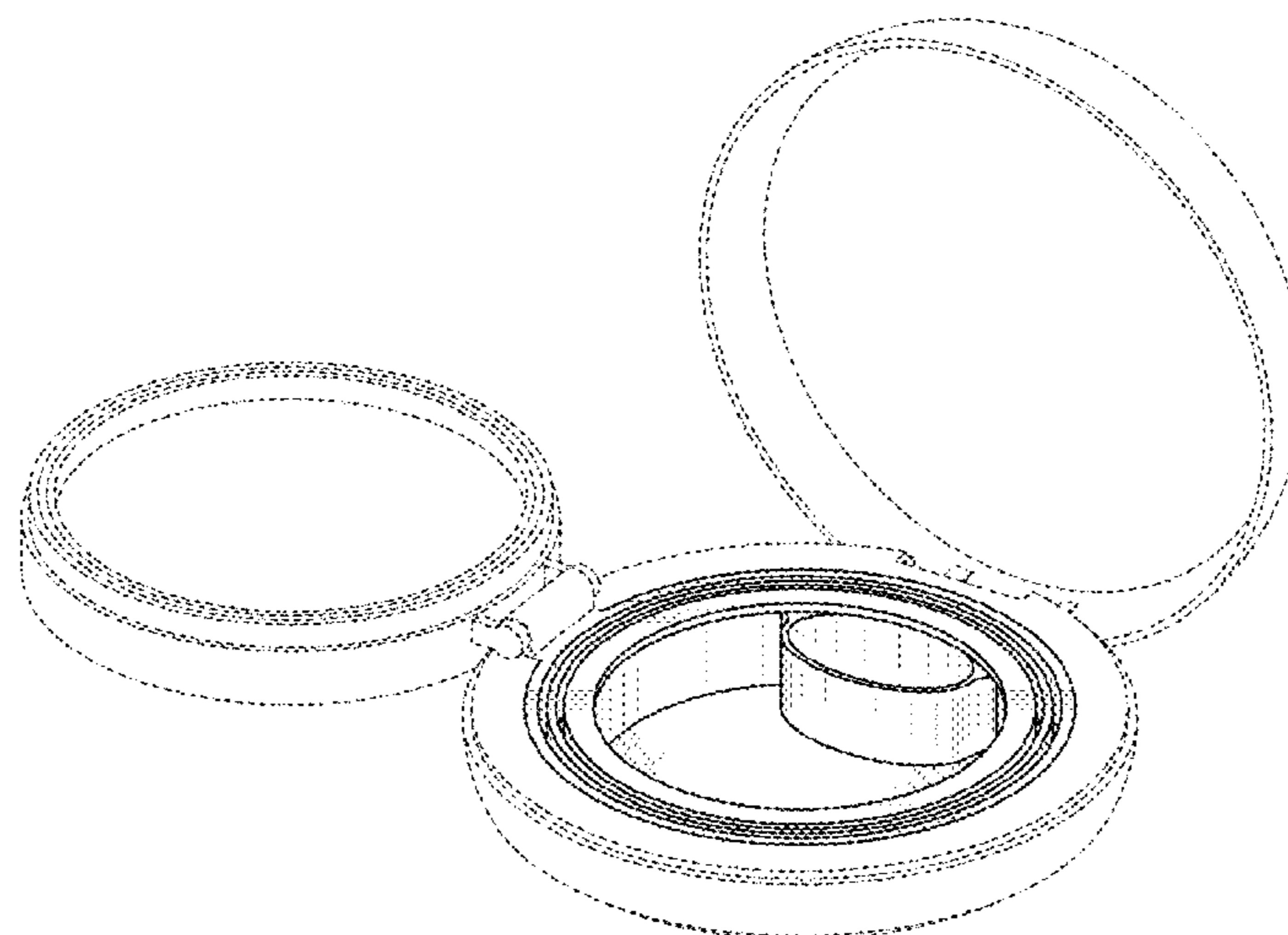
We claim the ornamental design for a container for cosmetics, as shown and described.

**DESCRIPTION**

FIG. 1 is a perspective view of a container for cosmetics, showing our new design;  
FIG. 2 is a front elevational view thereof;  
FIG. 3 is a rear elevational view thereof;  
FIG. 4 is a right side elevational view thereof;  
FIG. 5 is a left side elevational view thereof;  
FIG. 6 is a top plan view thereof; and,  
FIG. 7 is a bottom plan view thereof.

The broken lines shown in the drawings depict portions of the container for cosmetics that form no part of the claimed design.

**1 Claim, 4 Drawing Sheets**



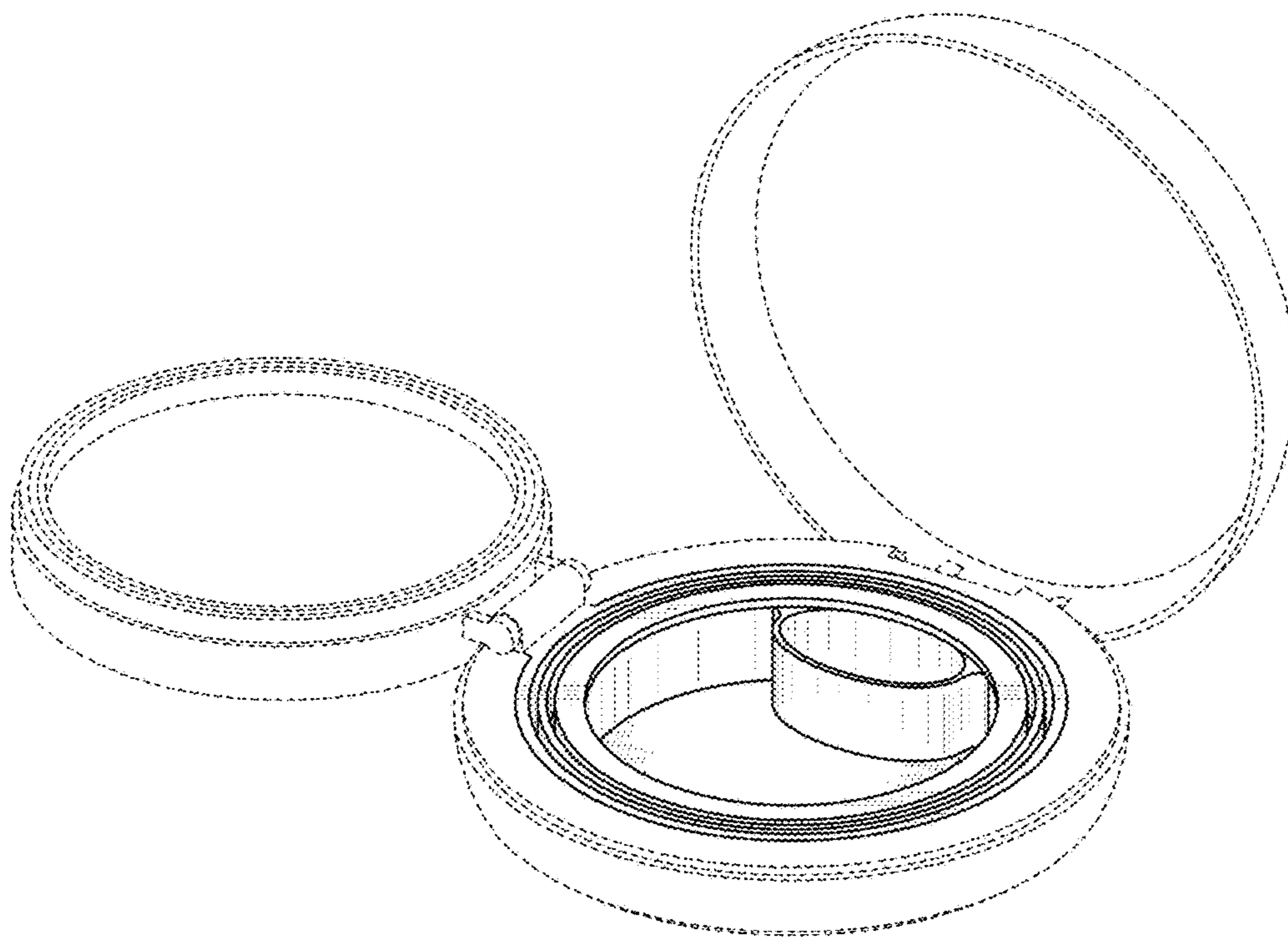
(56)

**References Cited**

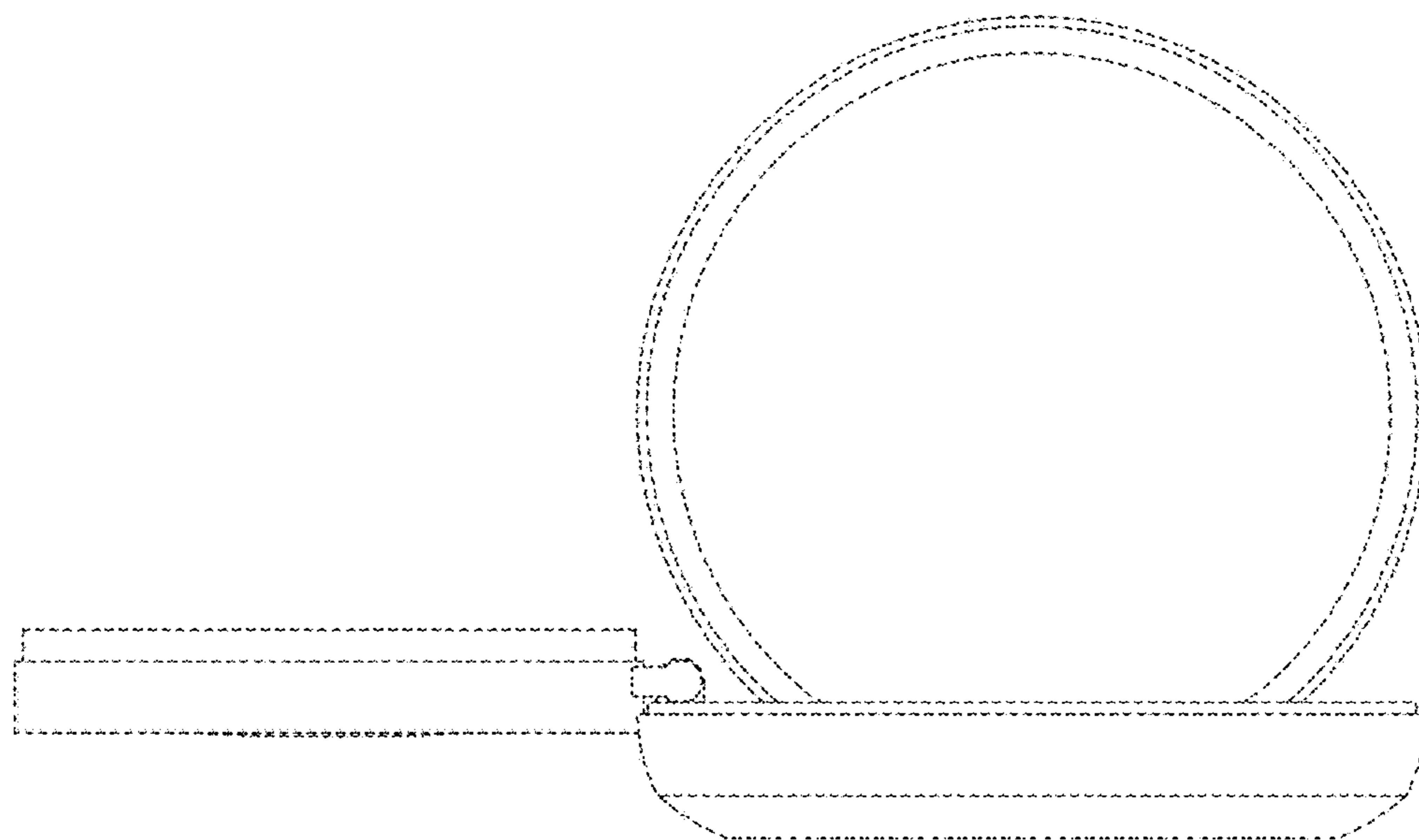
U.S. PATENT DOCUMENTS

2011/0266297 A1\* 11/2011 Thorpe ..... A45C 13/008  
220/831  
2014/0261530 A1\* 9/2014 McNamara ..... A45D 33/008  
132/301  
2016/0096668 A1\* 4/2016 Soltz ..... A45D 40/18  
132/200  
2017/0020263 A1\* 1/2017 Chang ..... A45D 33/003  
2017/0086560 A1\* 3/2017 Pires ..... A45D 33/32  
2017/0099930 A1\* 4/2017 Kim ..... A45D 33/008  
2017/0245622 A1\* 8/2017 Cicchetti ..... A45D 40/222

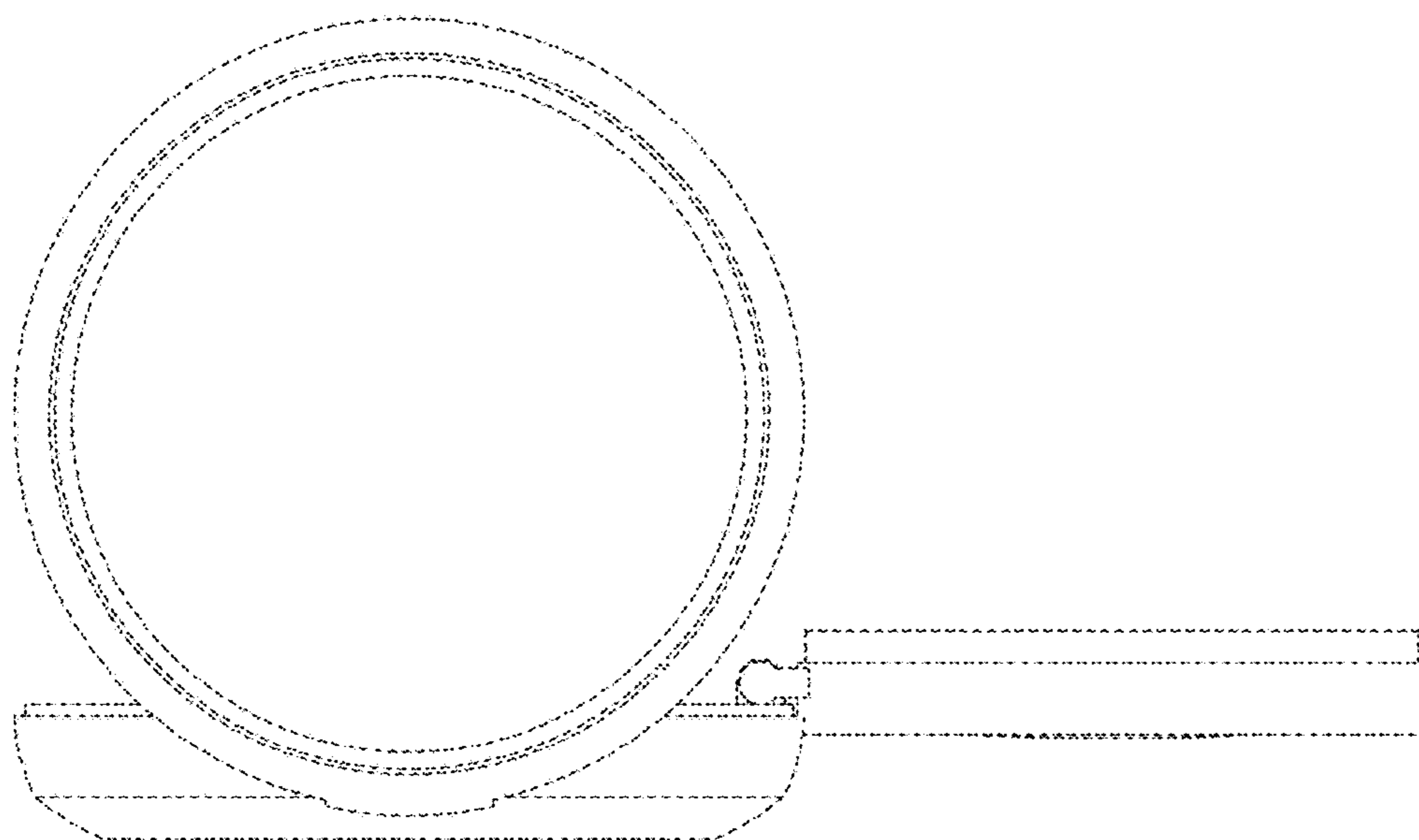
\* cited by examiner



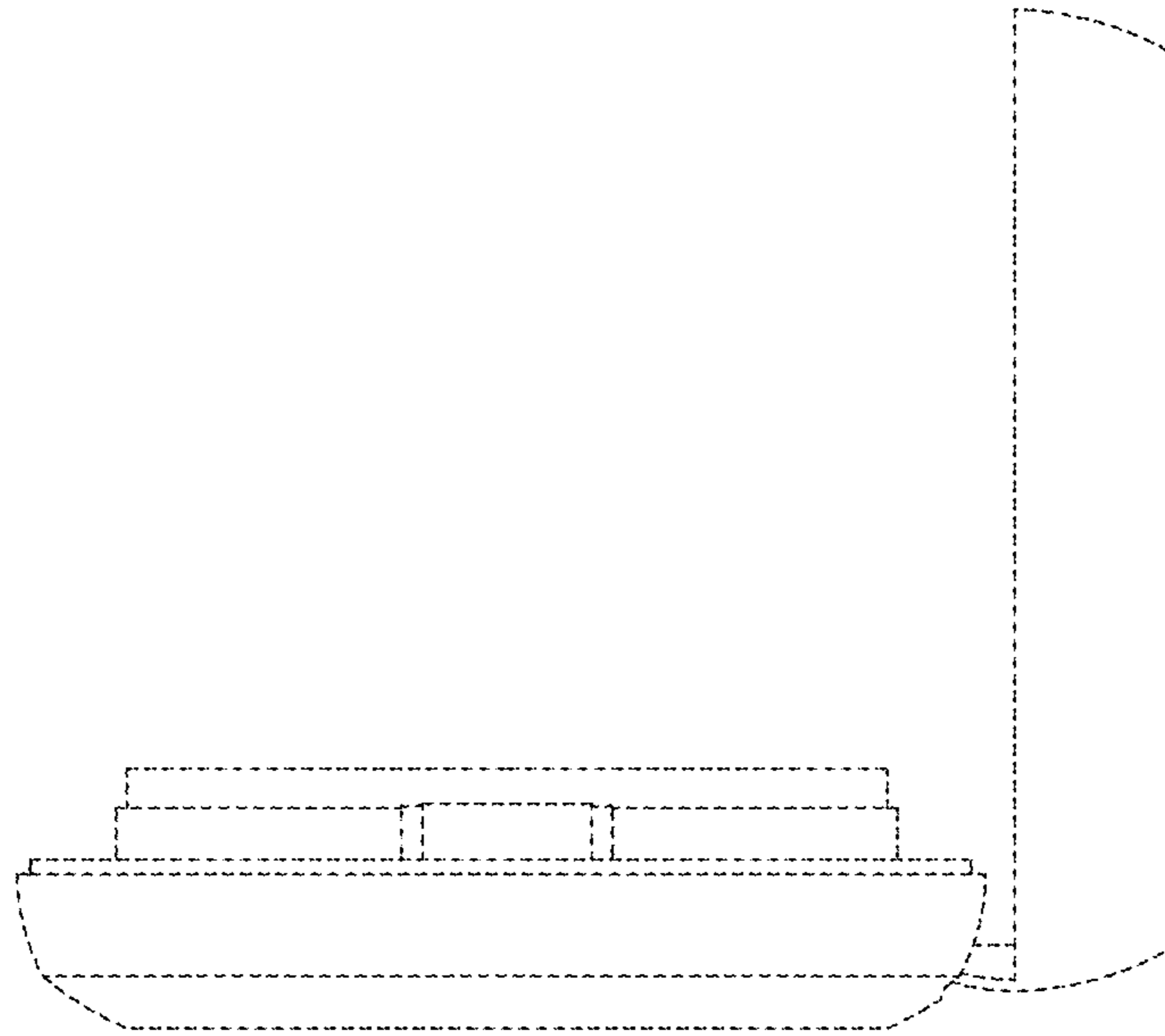
**FIG. 1**



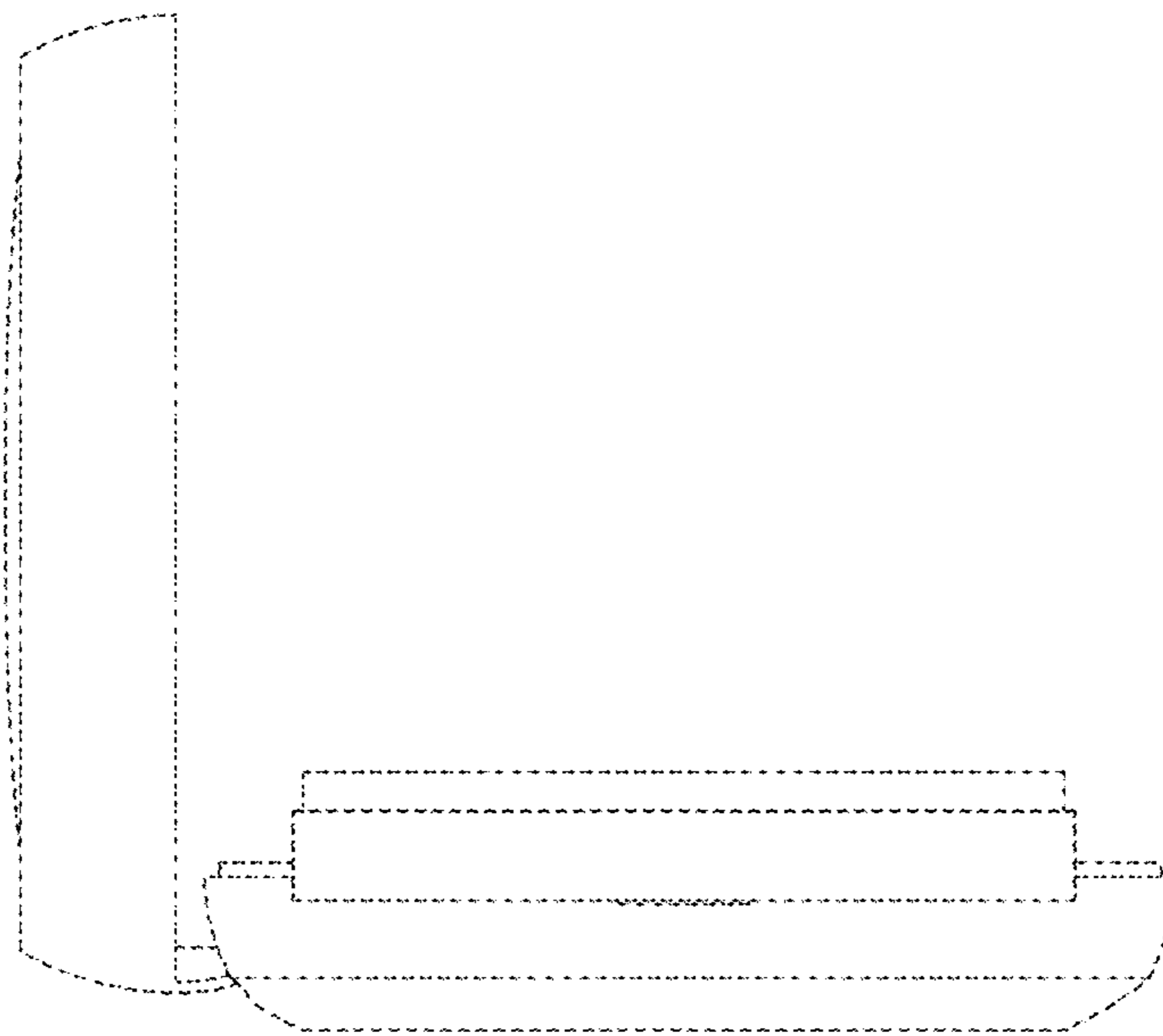
**FIG. 2**



**FIG. 3**



**FIG. 4**



**FIG. 5**

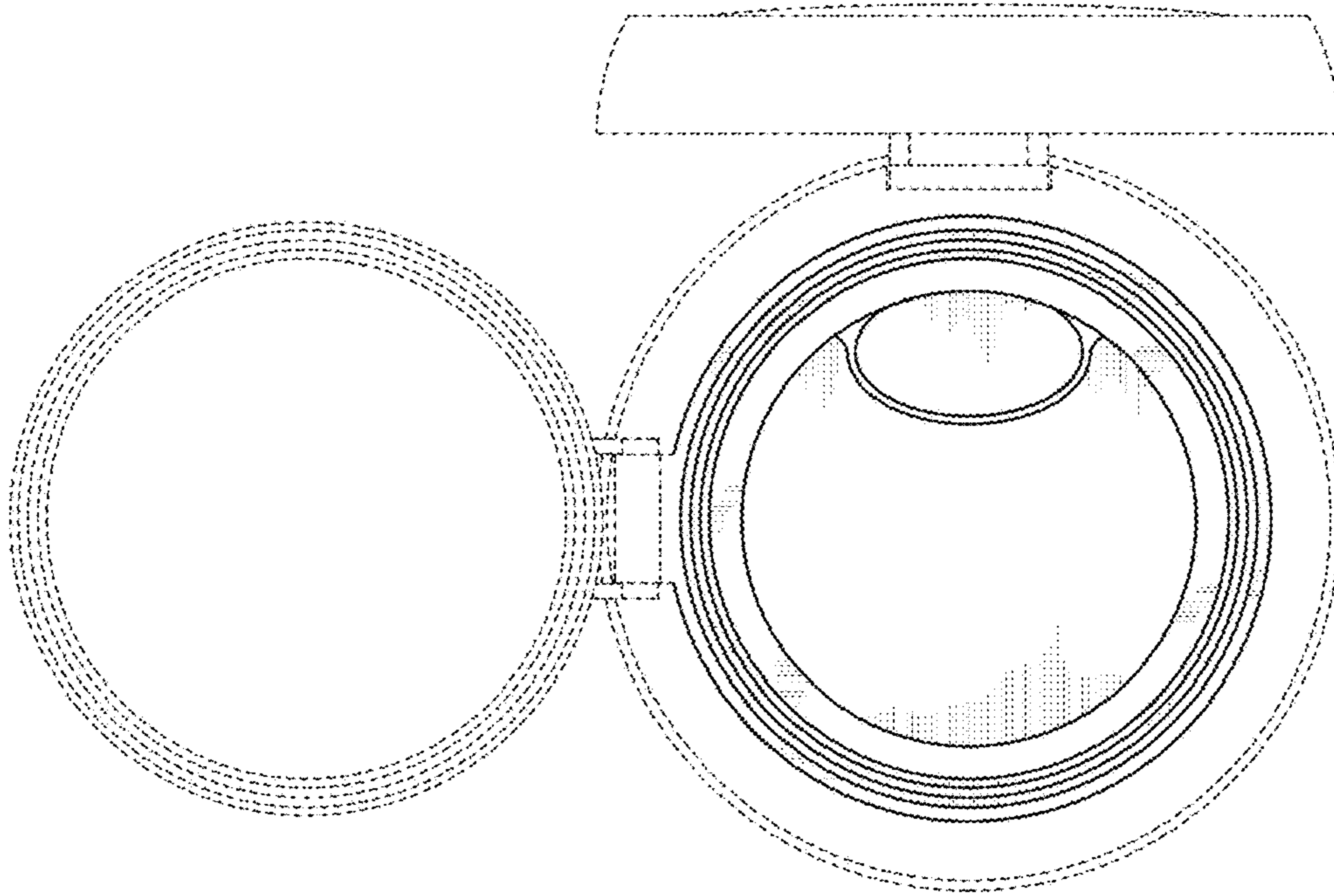


FIG. 6

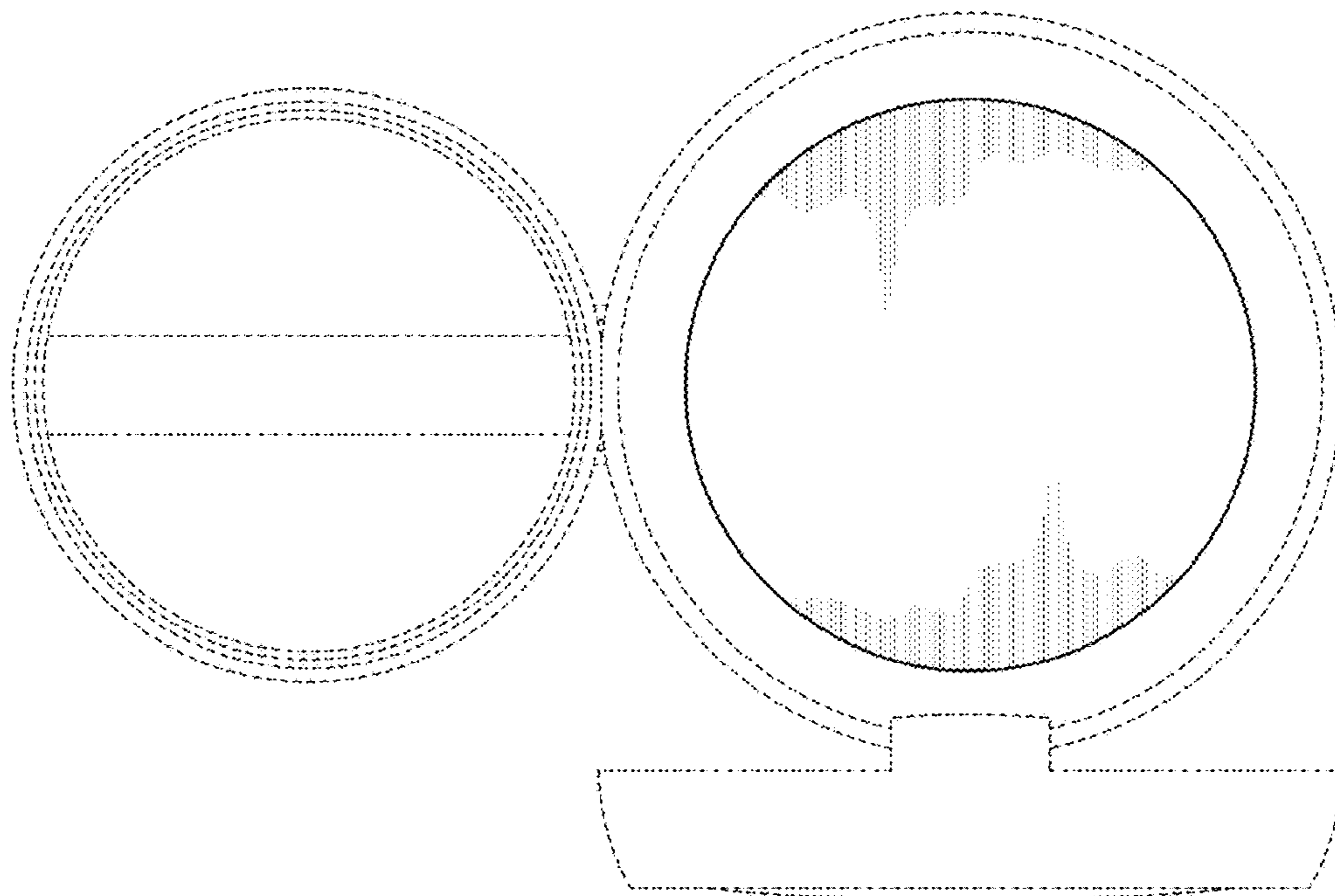


FIG. 7