



US00D817750S

(12) **United States Design Patent** (10) **Patent No.:** **US D817,750 S**
Subbiah (45) **Date of Patent:** **** May 15, 2018**

(54) **BRACKET COVER**
(71) Applicant: **Caterpillar Inc.**, Peoria, IL (US)
(72) Inventor: **Thirunavukkarasu Subbiah**, Cary, NC (US)
(73) Assignee: **Caterpillar Inc.**, Deerfield, IL (US)
(**) Term: **15 Years**
(21) Appl. No.: **29/536,866**
(22) Filed: **Aug. 20, 2015**
(51) **LOC (11) Cl.** **08-05**
(52) **U.S. Cl.**
USPC **D8/381**
(58) **Field of Classification Search**
USPC D8/330, 331, 338, 340, 341, 343, 381, D8/346, 403, 400
CPC E05B 13/00; E05B 15/00; E05B 17/00
See application file for complete search history.

D772,051 S * 11/2016 Martin D8/346
D785,446 S * 5/2017 Fratianne D8/346
D785,447 S * 5/2017 Fratianne D8/346
D791,717 S * 7/2017 Uusitalo D13/160
2008/0314854 A1 12/2008 Kamiya et al.
2010/0052356 A1 3/2010 Lewis, II
2015/0084387 A1 3/2015 Mori et al.

FOREIGN PATENT DOCUMENTS

GB 1474862 5/1977

* cited by examiner

Primary Examiner — Lakiya G Rogers
Assistant Examiner — Harold E Blackwell, II
(74) *Attorney, Agent, or Firm* — Finnegan, Henderson, Farabow, Garrett & Dunner, LLP

(57) **CLAIM**

The ornamental design for a bracket cover, as shown and described.

DESCRIPTION

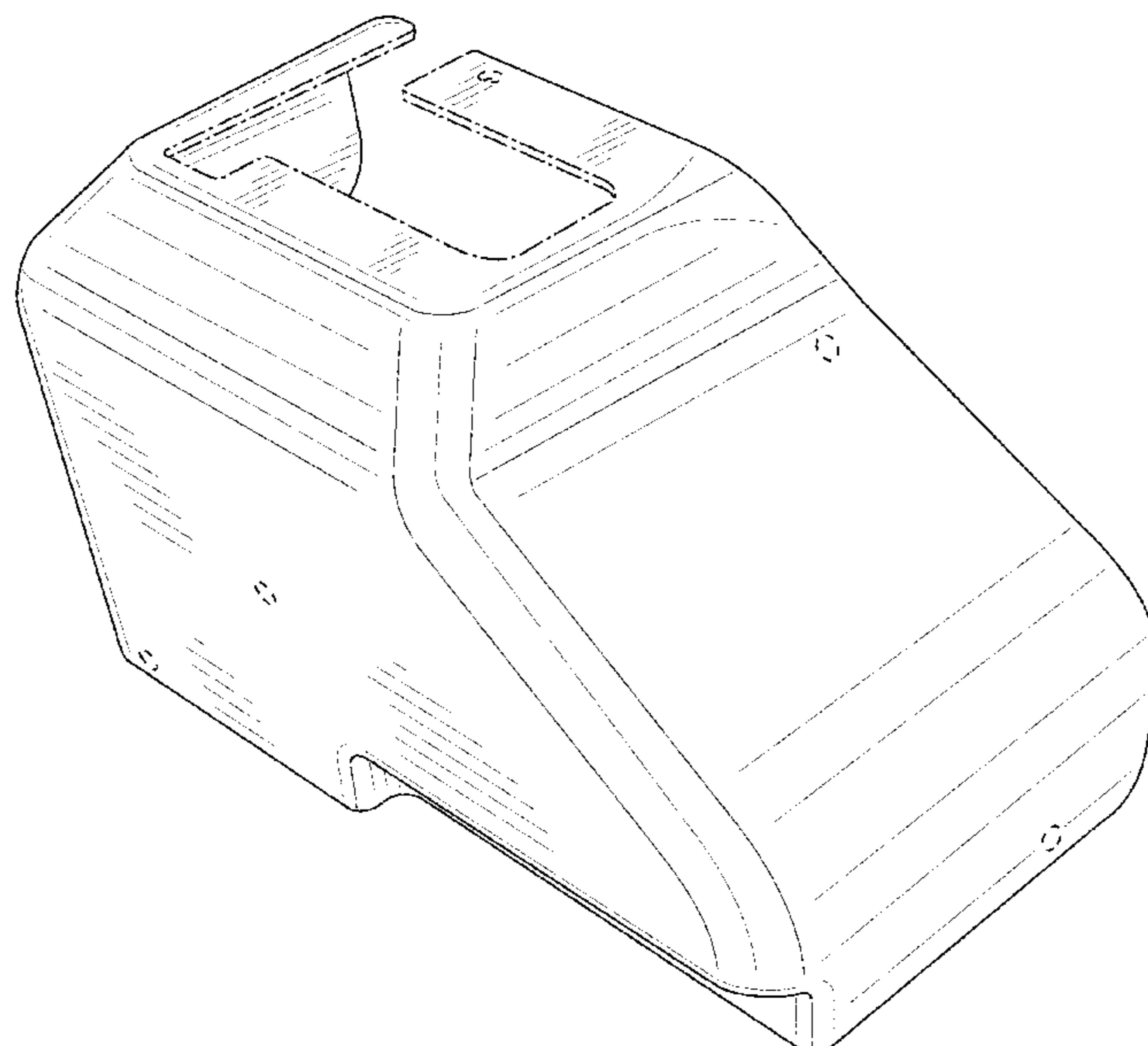
FIG. 1 is a front, top, right perspective view of a bracket cover, showing the new design;
FIG. 2 is a rear, bottom, left perspective view thereof;
FIG. 3 is a front elevation view thereof;
FIG. 4 is a rear elevation view thereof;
FIG. 5 is a right side view thereof;
FIG. 6 is a left side view thereof;
FIG. 7 is a top plan view thereof; and,
FIG. 8 is a bottom view thereof.
The broken lines of even length shown in the drawings illustrate portions of the bracket cover that form no part of the claimed design. The broken lines of uneven length shown in the drawings illustrate the boundaries of the claimed design.

1 Claim, 8 Drawing Sheets

(56) **References Cited**

U.S. PATENT DOCUMENTS

4,051,860 A 10/1977 Dowd et al.
4,234,012 A 11/1980 Schupback
4,805,952 A 2/1989 Coleman
D396,407 S * 7/1998 Jennings D8/400
D430,786 S * 9/2000 Hickman D8/321
6,279,863 B1 * 8/2001 Hall E06B 9/323
160/902
D526,557 S * 8/2006 Falconer D8/346
7,857,090 B2 12/2010 Ruhter et al.
8,079,438 B2 12/2011 Kim
8,465,094 B2 6/2013 Wada
D691,029 S * 10/2013 Didehvar D8/376
8,979,170 B2 3/2015 Kim
D746,666 S * 1/2016 Veilleux D8/376



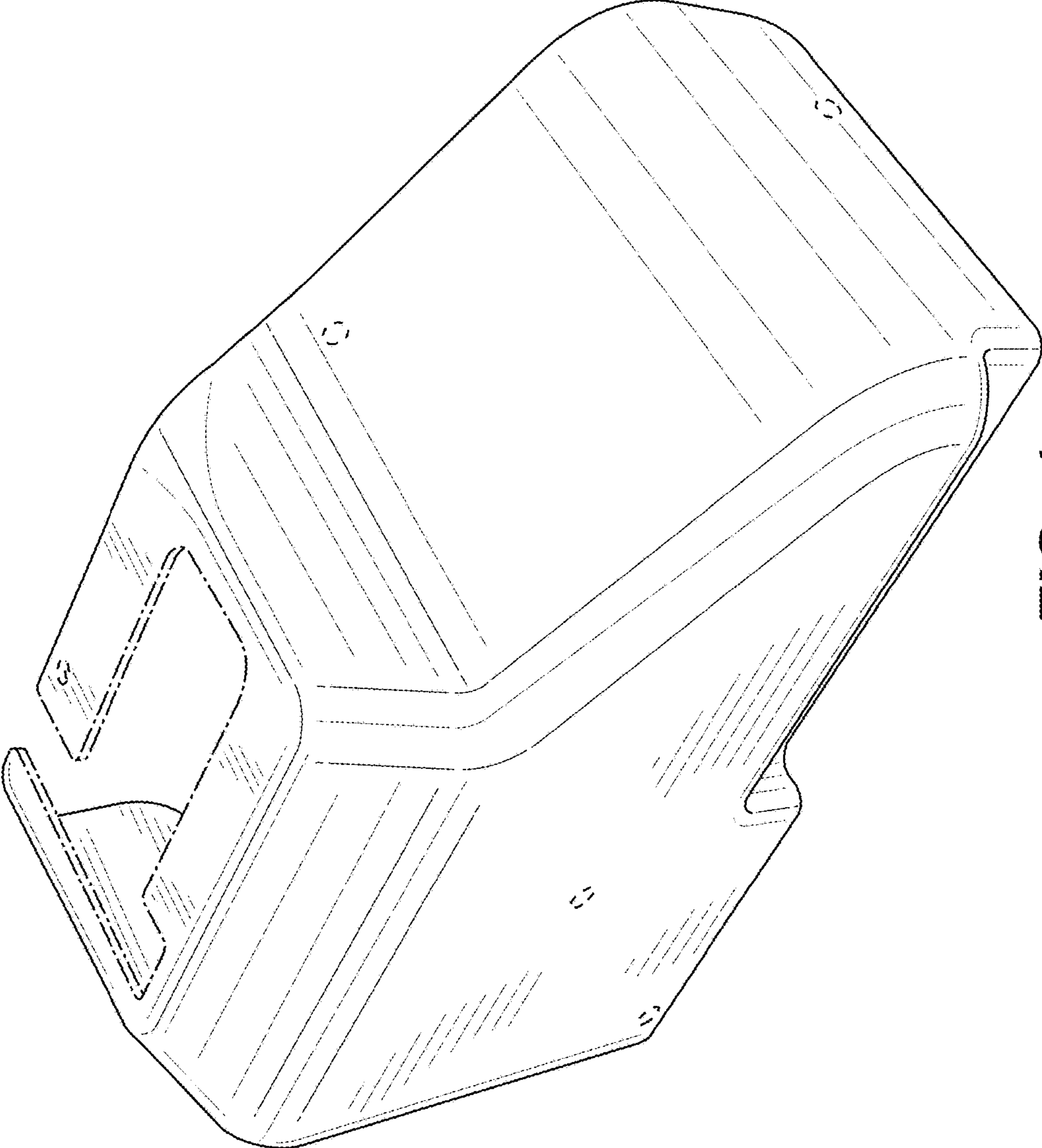


FIG. 1

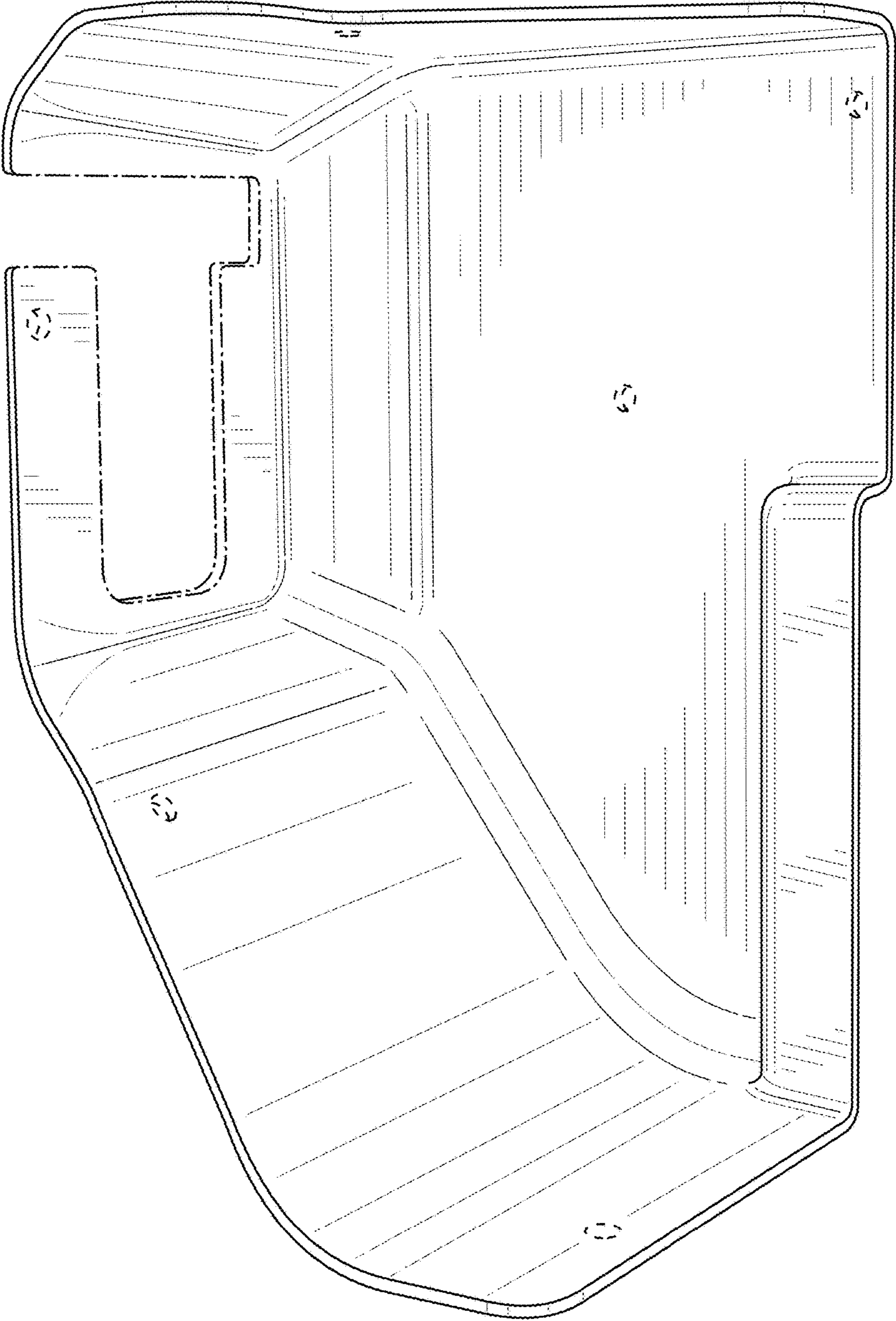


FIG. 2

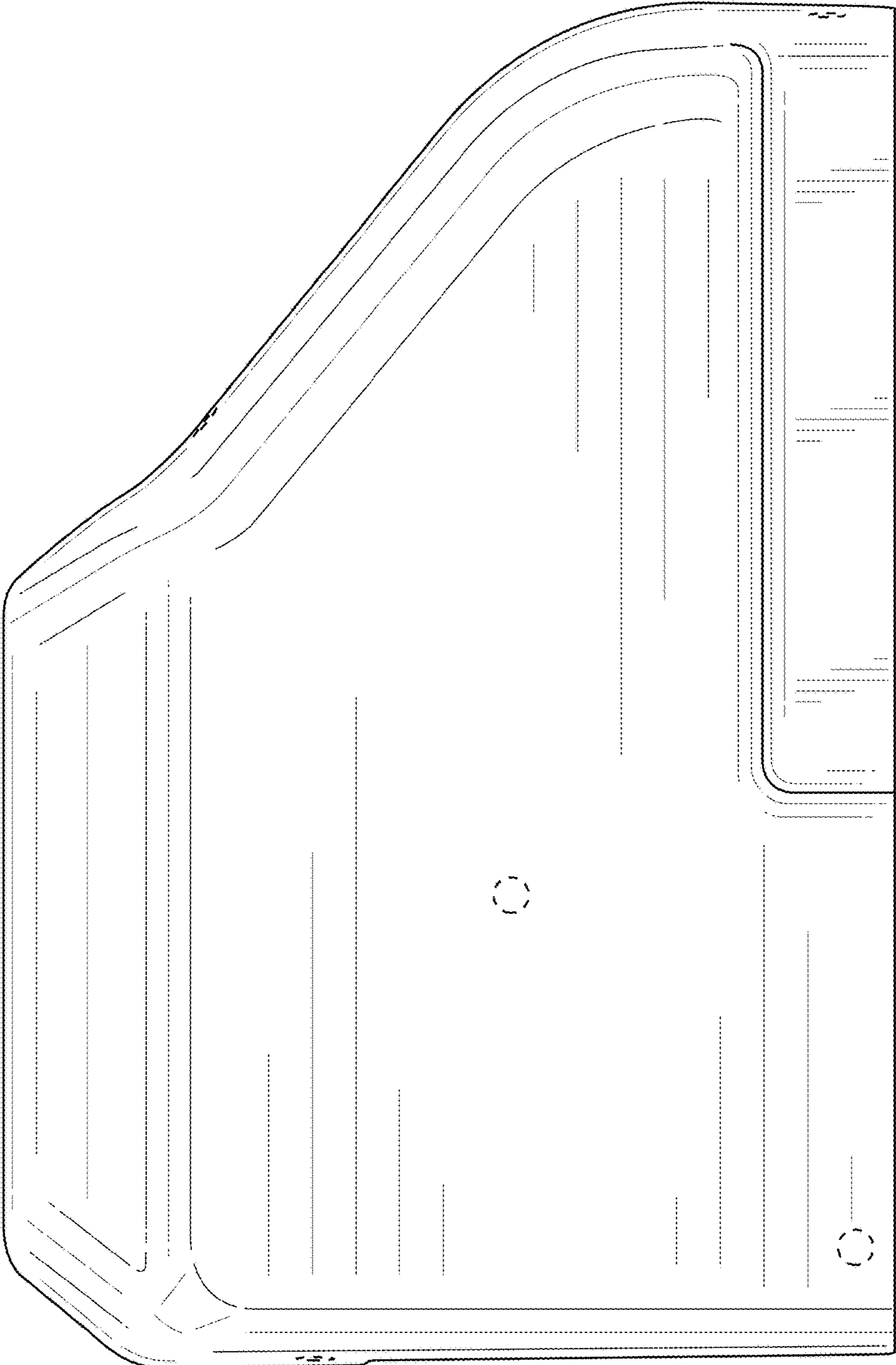


FIG. 3

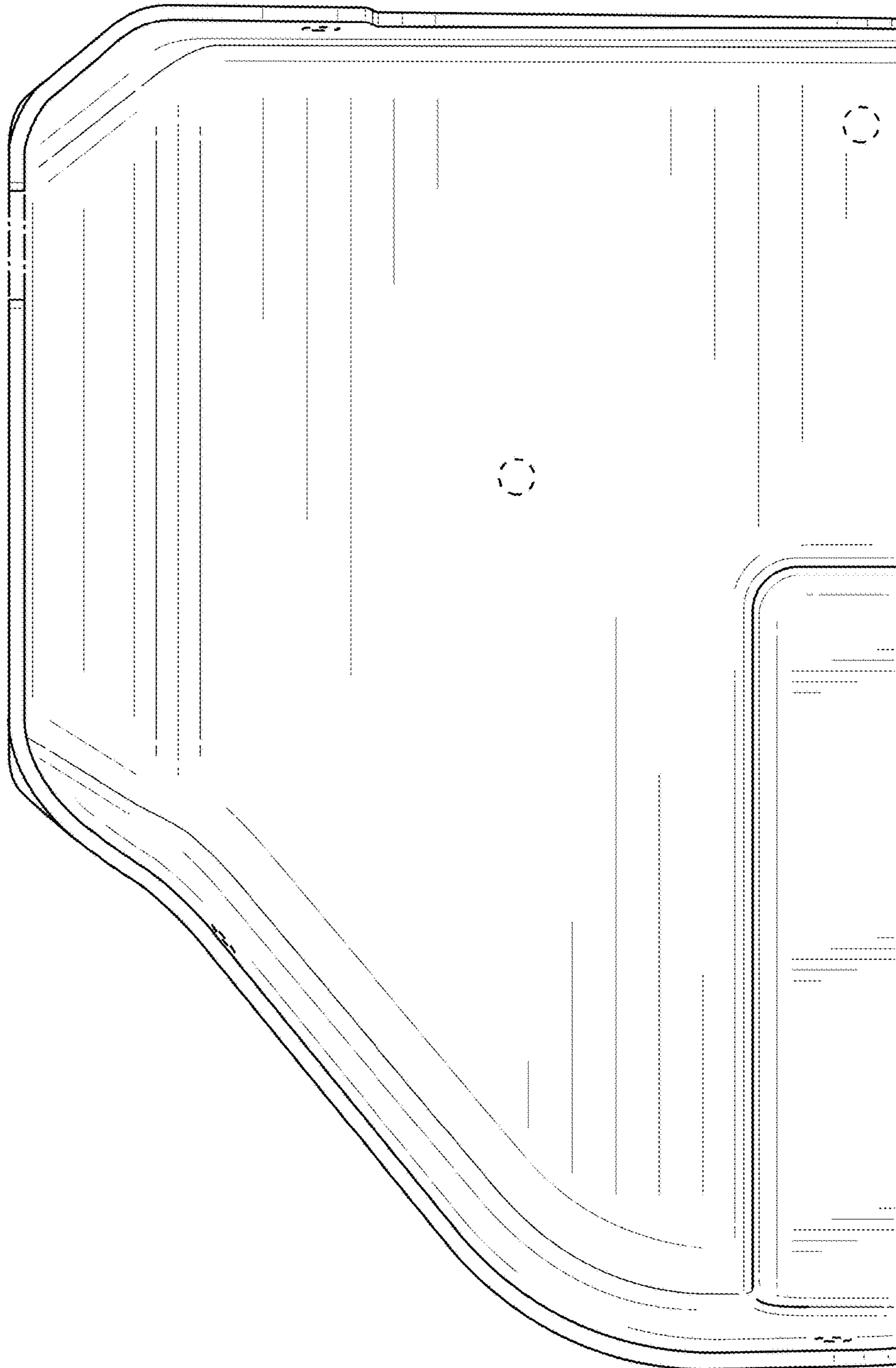


FIG. 4

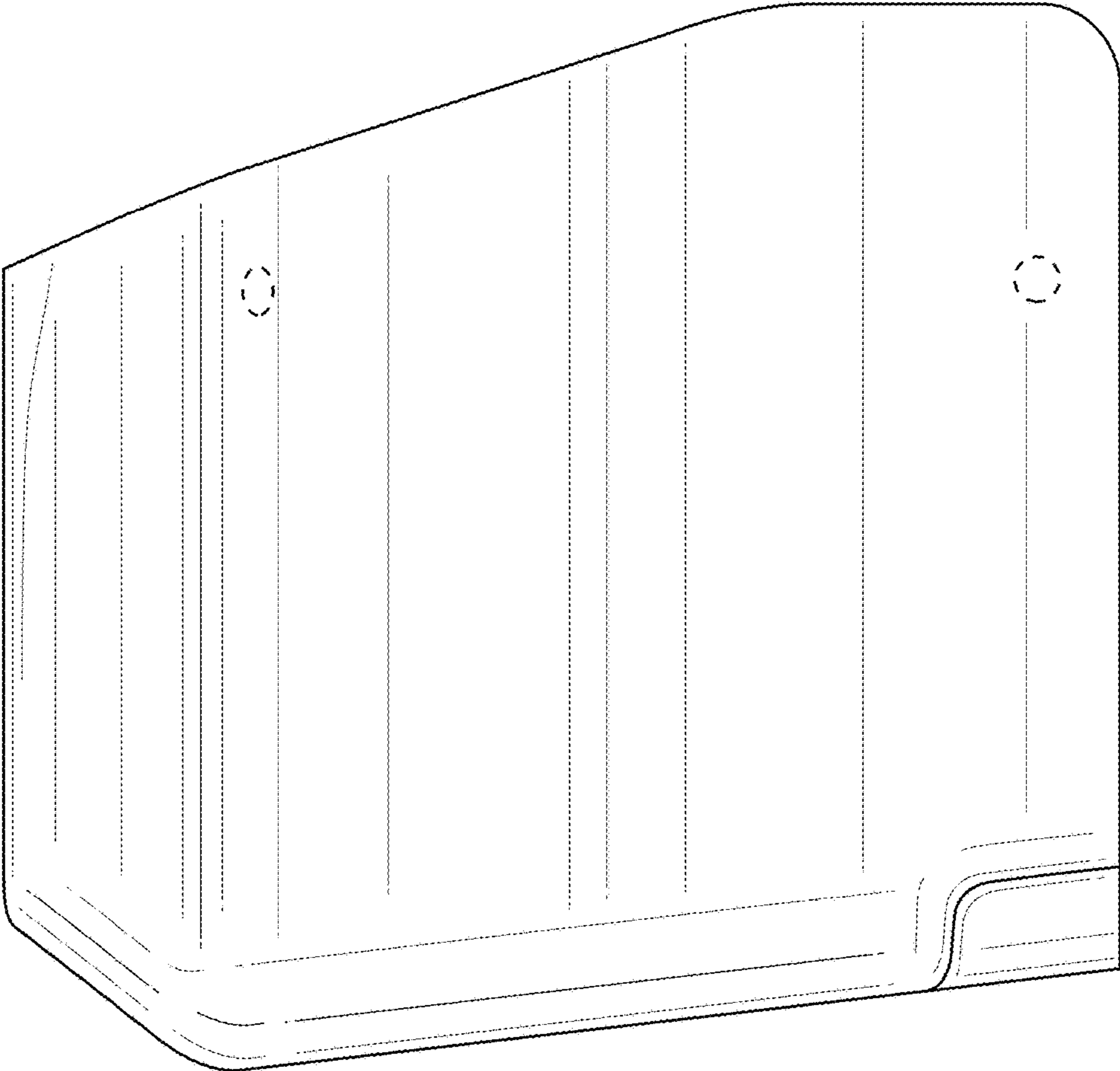


FIG. 5

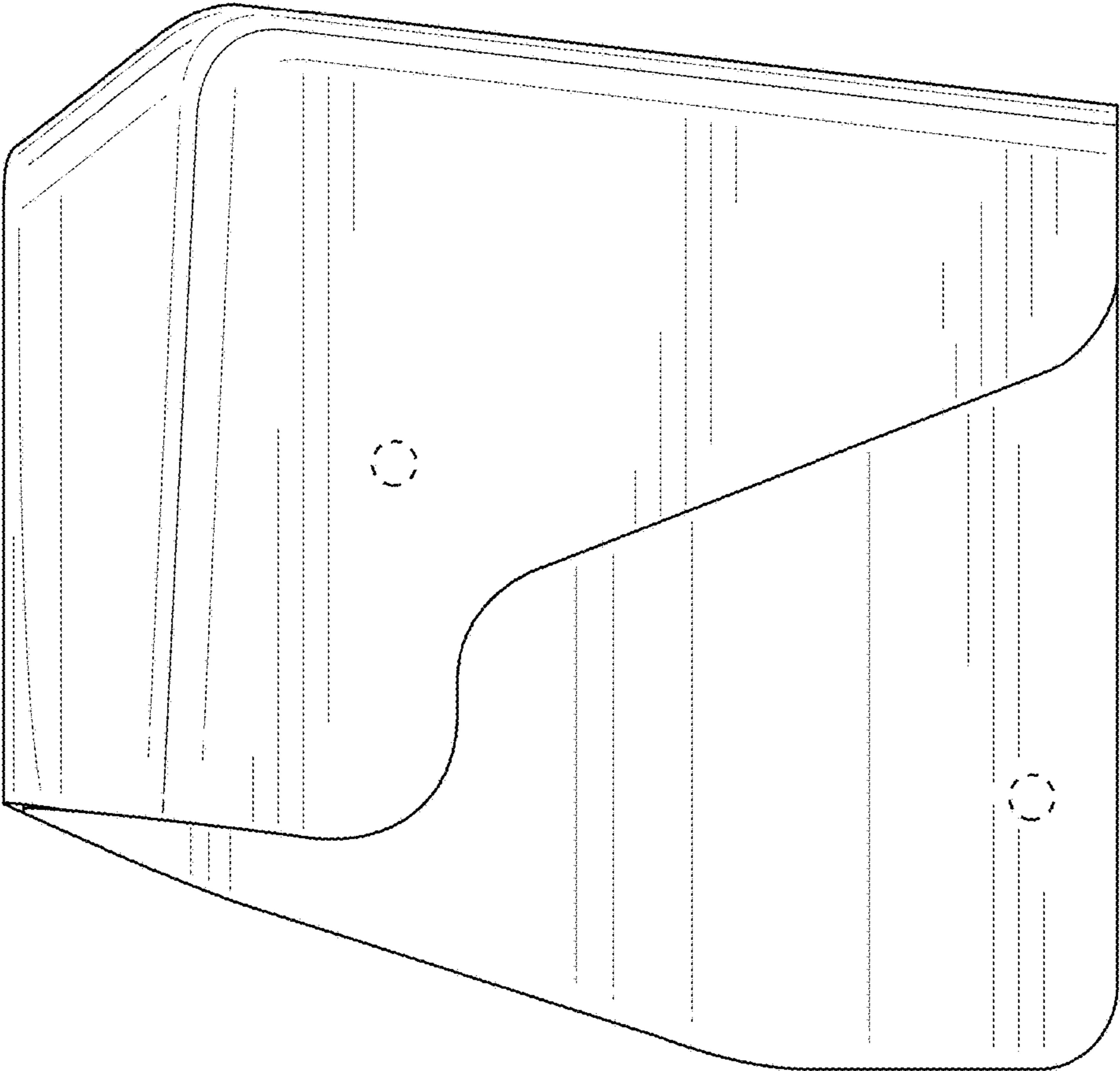


FIG. 6

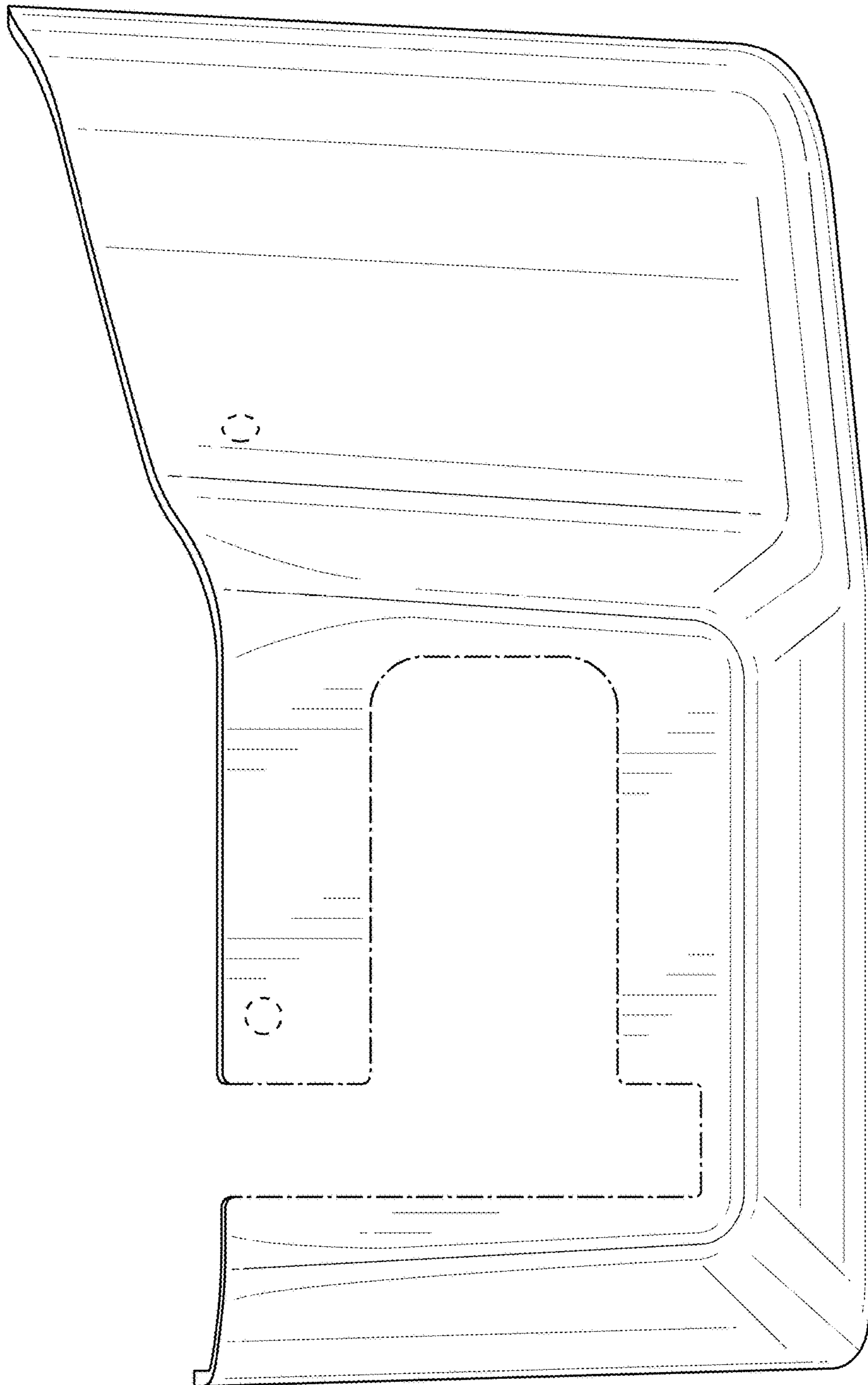


FIG. 7

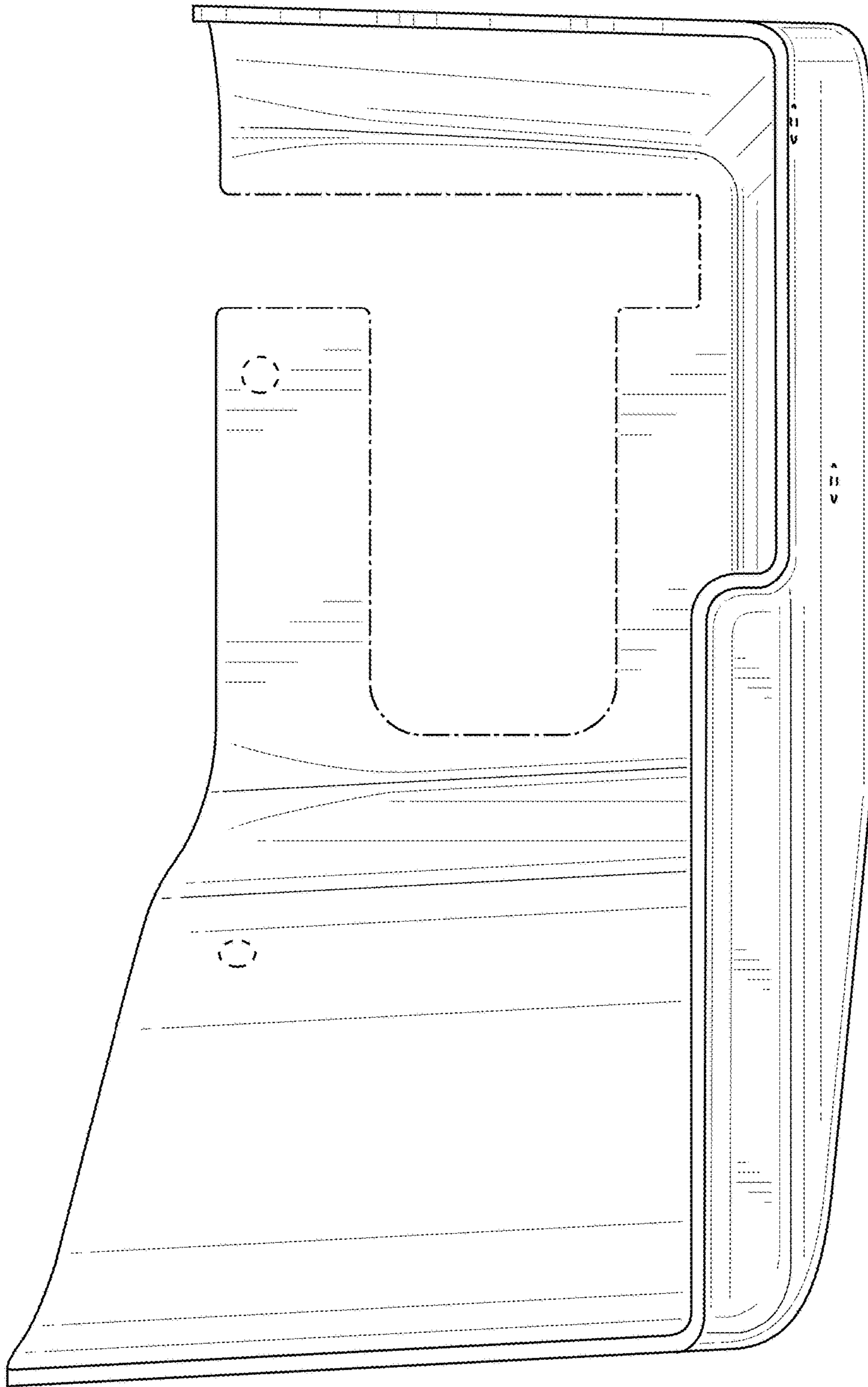


FIG. 8