



US00D817749S

(12) **United States Design Patent** (10) **Patent No.:** **US D817,749 S**
Ryu et al. (45) **Date of Patent:** **** May 15, 2018**

(54) **BRACKET FOR TV RECEIVER**

(71) Applicant: **LG ELECTRONICS INC.**, Seoul (KR)

(72) Inventors: **Junghan Ryu**, Seoul (KR); **Sehdong Yoo**, Seoul (KR); **Bodeung Hwang**, Seoul (KR); **Yeonui Chong**, Seoul (KR); **Yongseok Kim**, Seoul (KR); **Seonkyu Kim**, Seoul (KR)

(73) Assignee: **LG ELECTRONICS INC.**, Seoul (KR)

(**) Term: **15 Years**

(21) Appl. No.: **35/502,104**

(22) Filed: **Jun. 13, 2016**

(80) **Hague Agreement Data**

Int. Filing Date: **Jun. 13, 2016**

Int. Reg. No.: **DM/092607**

Int. Reg. Date: **Jun. 13, 2016**

Int. Reg. Pub. Date: **Dec. 16, 2016**

(30) **Foreign Application Priority Data**

Dec. 15, 2015 (KR) 30-2015-0064144

(51) **LOC (11) Cl.** **08-05**

(52) **U.S. Cl.**
USPC **D8/367**

(58) **Field of Classification Search**

USPC D14/125-134, 239, 451, 253, 341-347,
D14/248, 374-377, 315-318, 426, 240,

(Continued)

(56) **References Cited**

U.S. PATENT DOCUMENTS

D242,986 S * 1/1977 Inglis D8/363

D258,489 S * 3/1981 Gipson D8/333

(Continued)

Primary Examiner — Barbara Fox

Assistant Examiner — Dana K Weiland

(74) *Attorney, Agent, or Firm* — Birch, Stewart, Kolasch & Birch, LLP

(57) **CLAIM**

The ornamental design for a bracket for TV receiver, as shown and described.

DESCRIPTION

1. Bracket for TV receiver

1.1 is a front perspective view of a bracket for TV receiver showing our new design;

1.2 is the front view thereof;

1.3 is the back view thereof;

1.4 is the left side view thereof;

1.5 is the right side view thereof;

1.6 is the top view thereof;

1.7 is the bottom view thereof;

1.8 is a cross-sectional view of the bracket for TV receiver taken in the direction of line **1.8-1.8** in **1.2**;

1.9 is a front perspective view of a bracket for TV receiver in an alternate position;

1.10 is the front view thereof;

1.11 is the back view thereof;

1.12 is the left side view thereof;

1.13 is the right side view thereof;

1.14 is the top view thereof;

1.15 is the bottom view thereof;

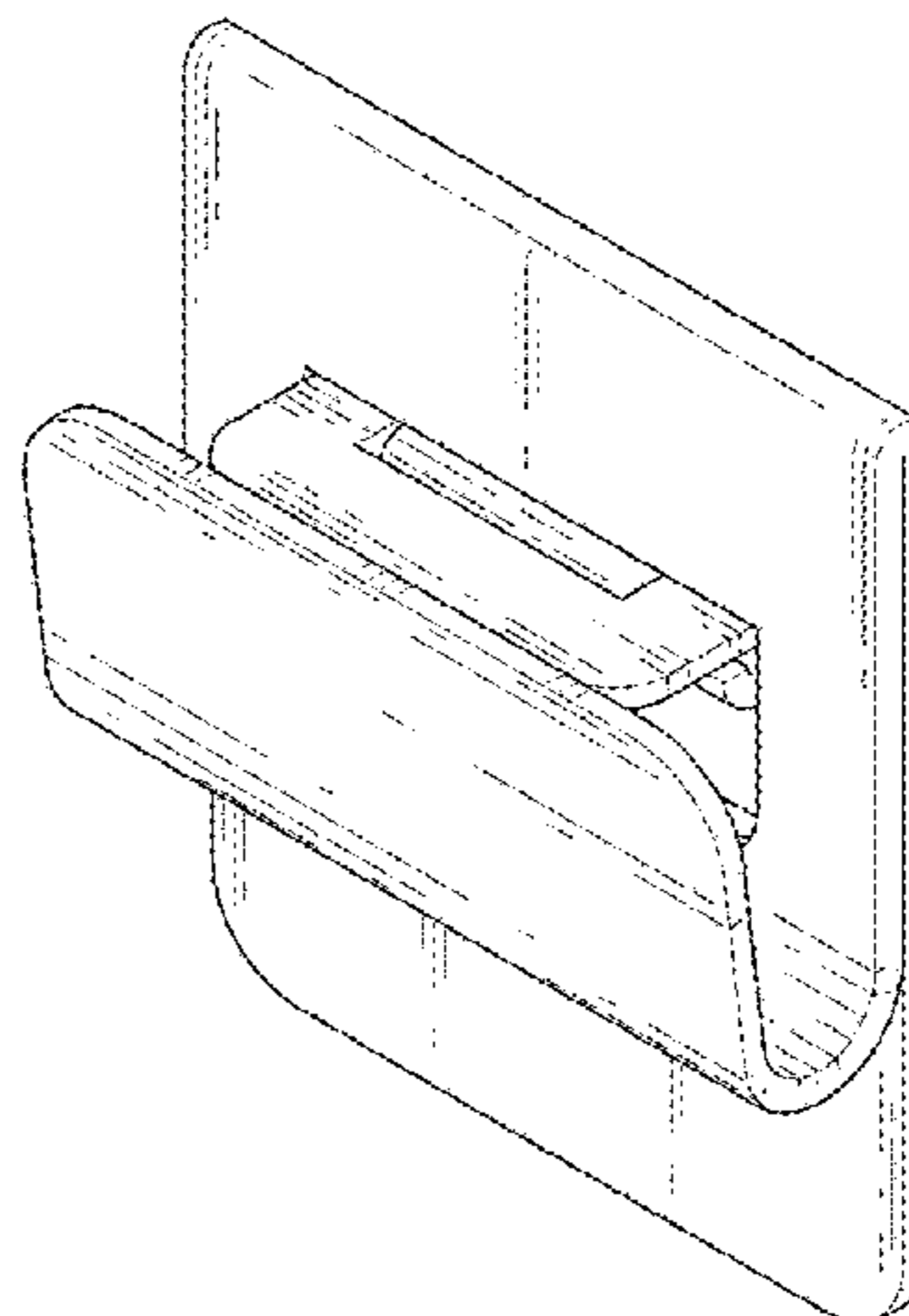
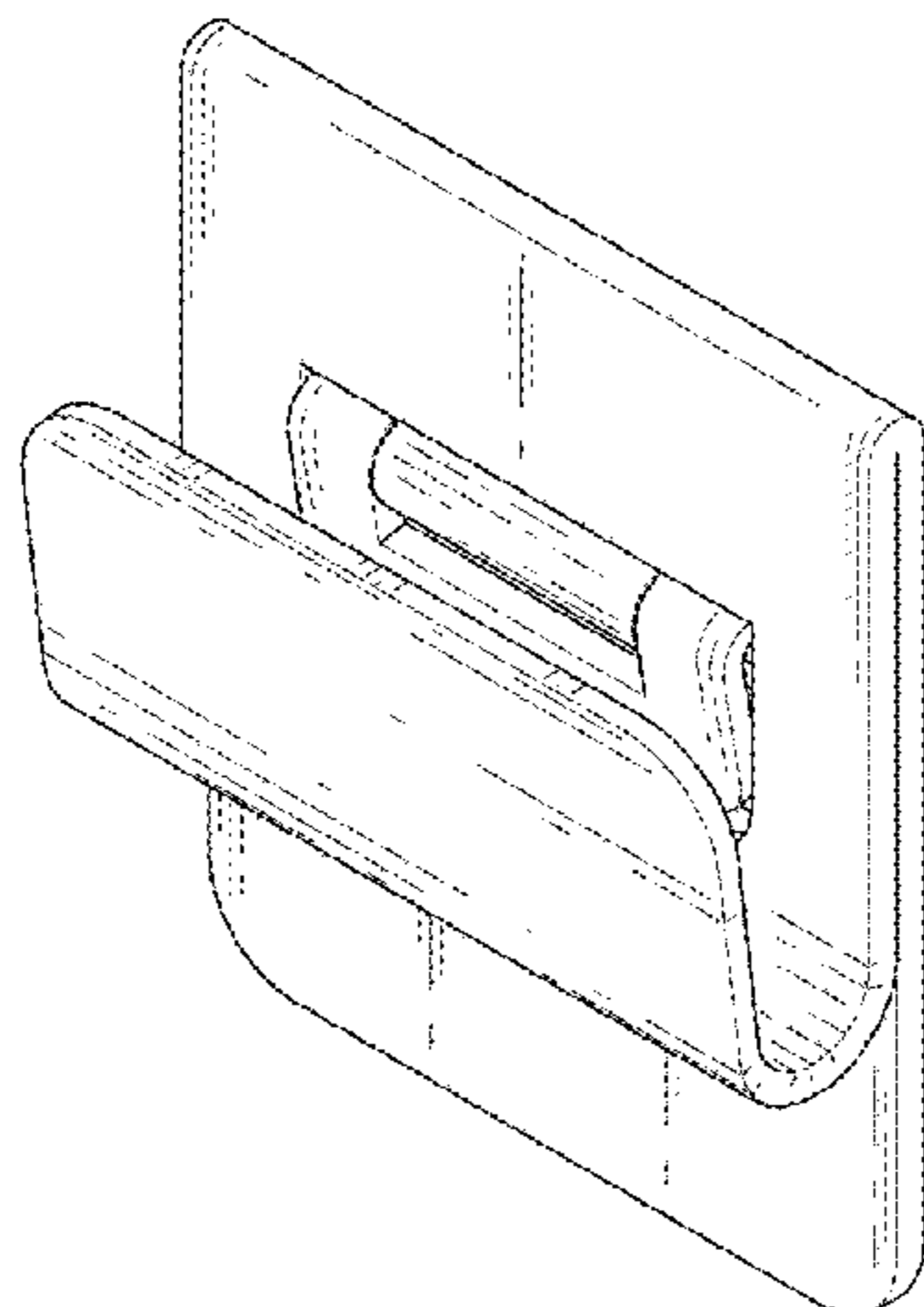
1.16 is a cross-sectional view of the bracket for TV receiver taken in the direction of line **1.16-1.16** in **1.10**; and

1.17 is another perspective view thereof showing the bracket for TV receiver in an environment of use.

The broken line showing in figures **1.8** and **1.16** is for the purpose of depicting portions of the bracket for TV receiver and forms no part of the claimed design.

The broken line showing in figure **1.17** is included for the purpose of illustrating environmental structure and forms no part of the claimed design.

1 Claim, 16 Drawing Sheets



(58) **Field of Classification Search**

USPC D14/247, 137, 447, 371, 448, 159;
 D6/310–313, 308, 708; D8/373, 349,
 D8/394, 363, 315, 72, 367; D10/15;
 D24/185
 CPC H04M 1/0202; H04M 1/0235; H04M
 1/0237; H04M 1/0239; H04M 1/0268;
 H04M 1/027; H04M 1/0295; G06F
 1/1601; G06F 1/1643; H05K 5/0004;
 H05K 5/0017; H05K 5/02; H05K 5/0217
 See application file for complete search history.

(56) **References Cited**

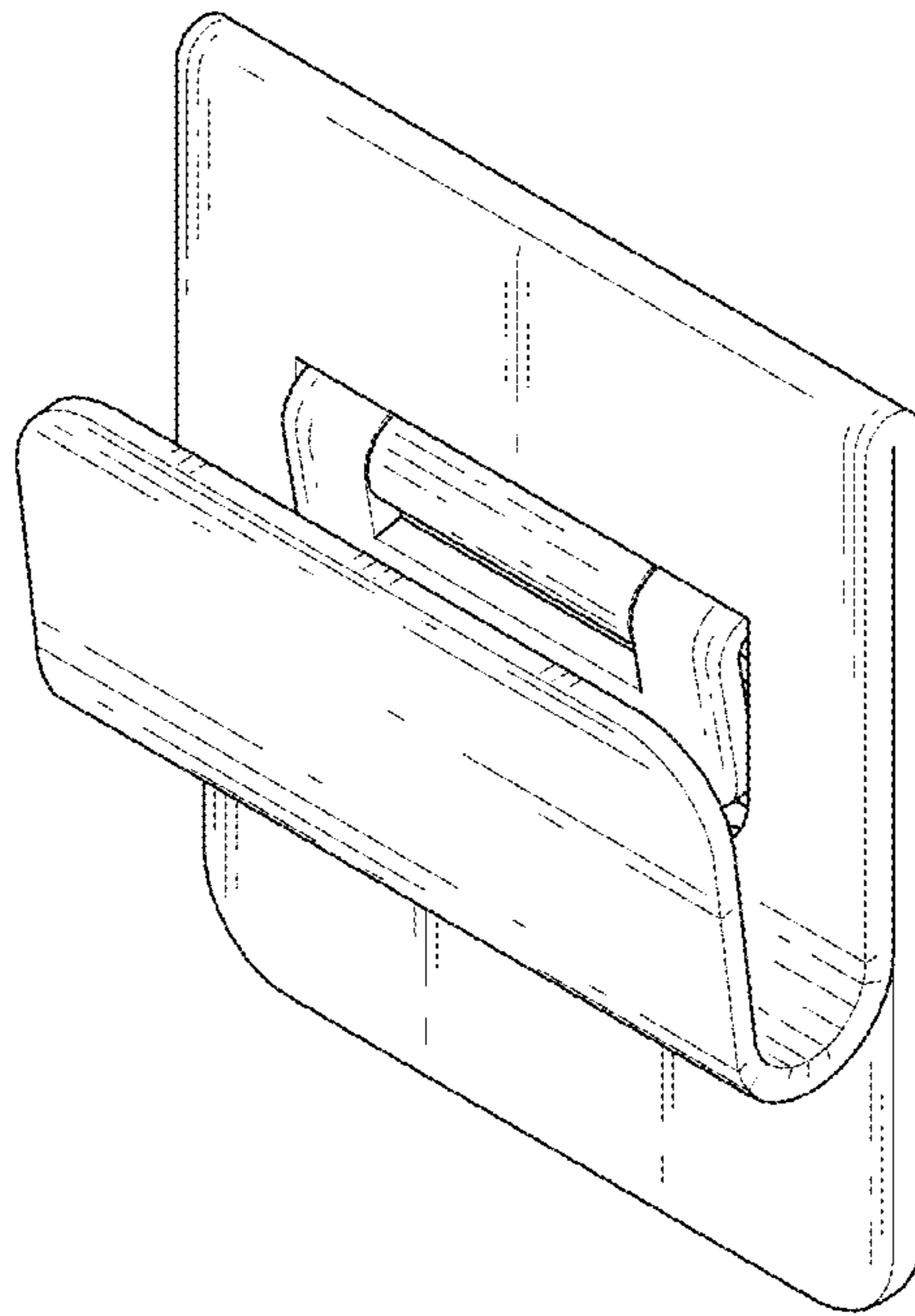
U.S. PATENT DOCUMENTS

D281,575 S * 12/1985 Chap D6/325
 D397,606 S * 9/1998 Taming D8/363
 D424,118 S * 5/2000 Mandokoro D19/90
 D426,235 S * 6/2000 Phirippidis D14/253
 D440,862 S * 4/2001 Kaczmariski D8/354
 D486,379 S * 2/2004 Olson D8/370
 D515,404 S * 2/2006 Hardina D8/373
 D521,853 S * 5/2006 Bertagnole D8/373
 D532,679 S * 11/2006 Ignagni D8/354
 D572,571 S * 7/2008 Terada D8/354

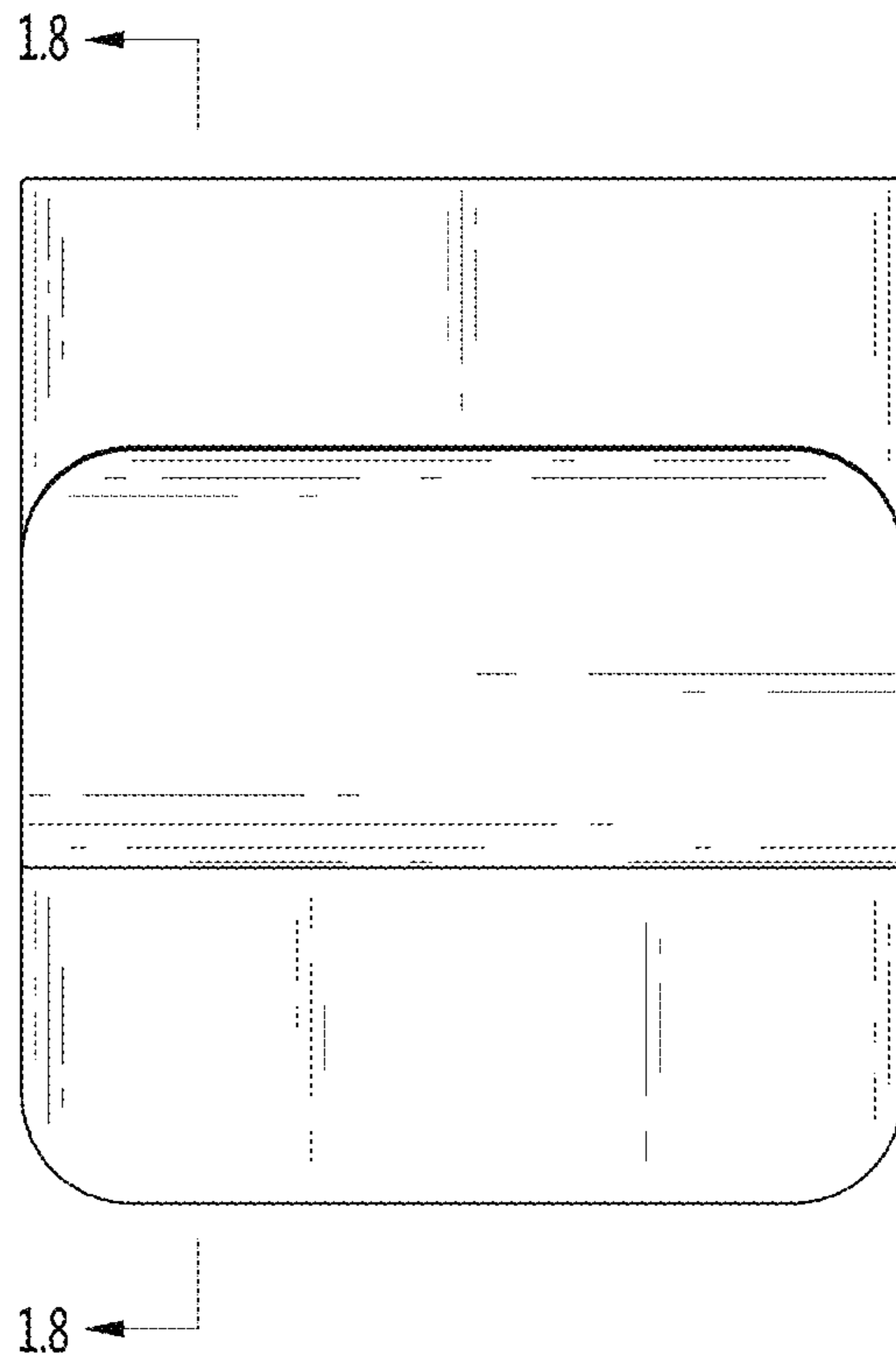
D608,622 S * 1/2010 Zhu D6/513
 D632,158 S * 2/2011 Yang D13/118
 D657,054 S * 4/2012 Bacon D24/128
 D672,223 S * 12/2012 Thompson D8/356
 D682,663 S * 5/2013 Evon D8/367
 D686,583 S * 7/2013 Yoo D14/126
 D703,676 S * 4/2014 Smith D14/447
 D707,535 S * 6/2014 Burr D8/363
 D712,725 S * 9/2014 Wu D8/367
 D721,712 S * 1/2015 Byrne D14/447
 D723,536 S * 3/2015 Werth D14/253
 D724,490 S * 3/2015 Ciloglu D12/50
 D730,161 S * 5/2015 Veilleux D8/373
 D732,543 S * 6/2015 Westrup D14/447
 D738,197 S * 9/2015 Schaffert D8/366
 D754,118 S * 4/2016 Leung D14/253
 D754,135 S * 4/2016 Cromack D14/447
 D760,066 S * 6/2016 Krenek D8/354
 D762,777 S * 8/2016 Szucs D20/42
 D783,386 S * 4/2017 Collins, IV D8/354
 D785,442 S * 5/2017 Tseng D8/354
 D786,052 S * 5/2017 Szucs D8/373
 D790,759 S * 6/2017 Chinchon D26/138
 D791,583 S * 7/2017 Griffin D8/373
 D797,294 S * 9/2017 Sommer D24/180
 D802,403 S * 11/2017 Weng D8/367
 D811,201 S * 2/2018 Berger D8/367

* cited by examiner

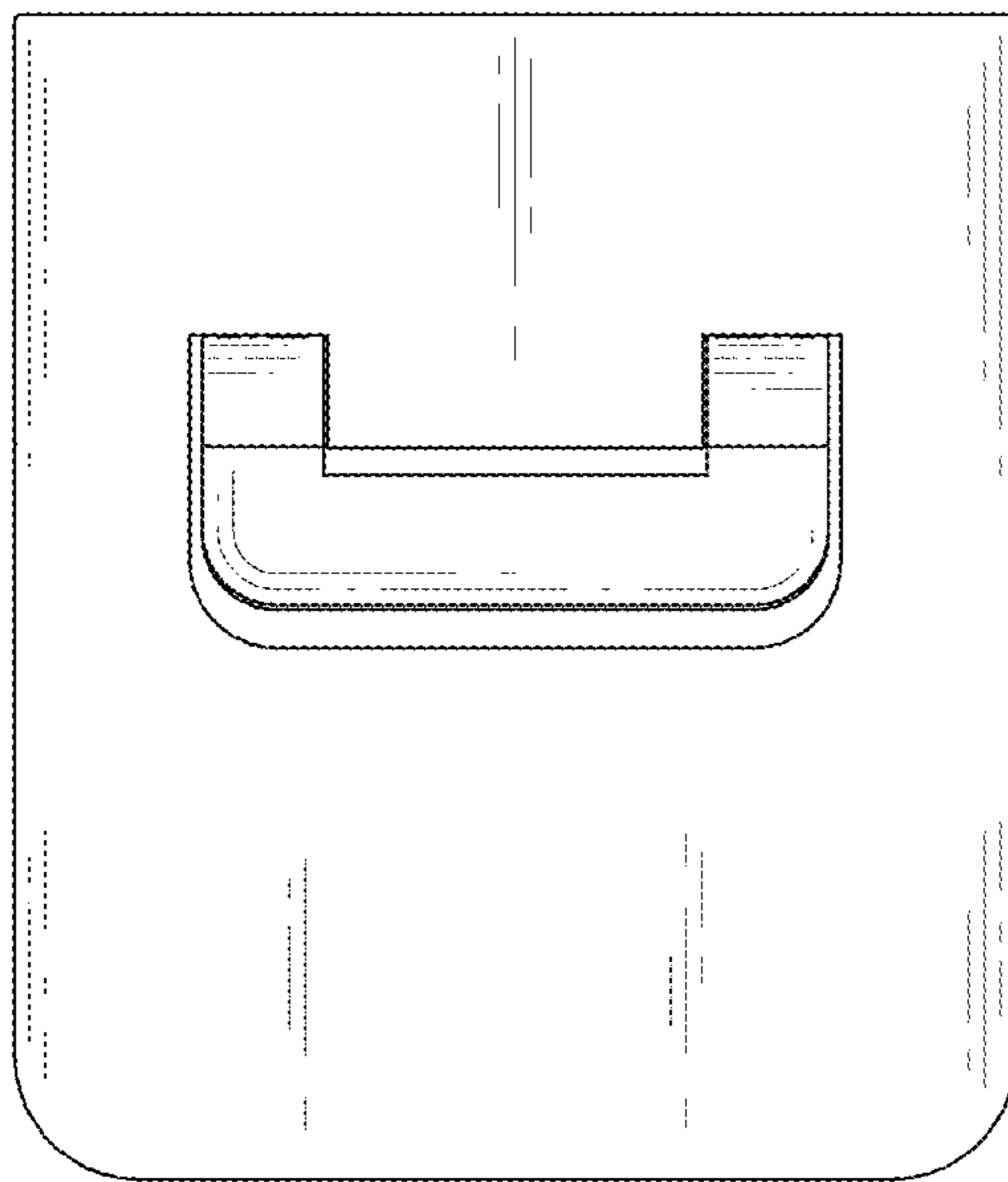
1.1



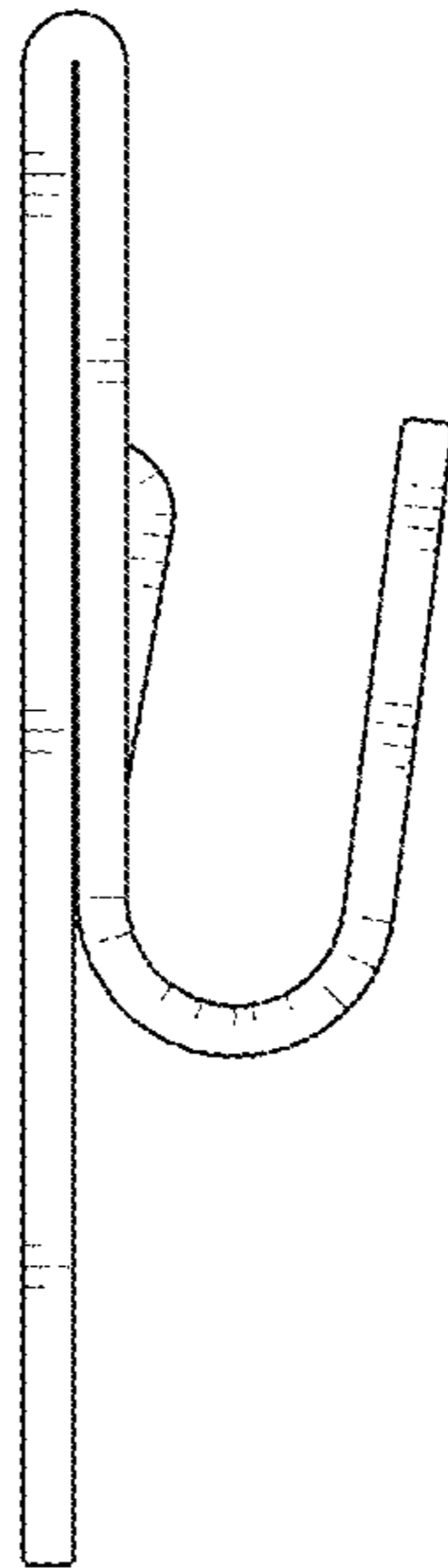
1. 2



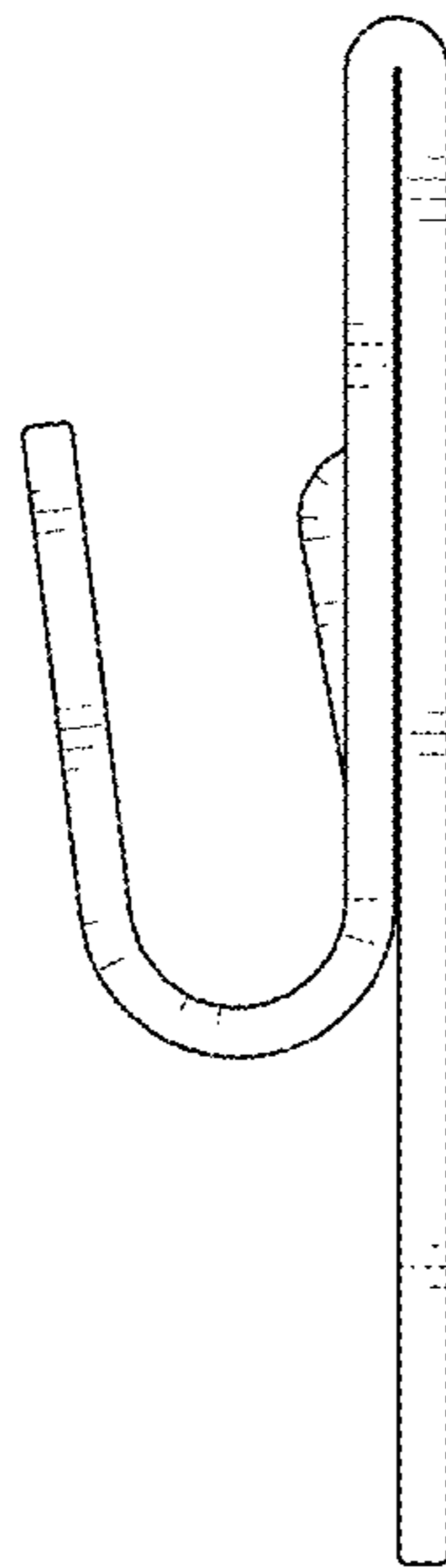
1.3



1.4



1.5



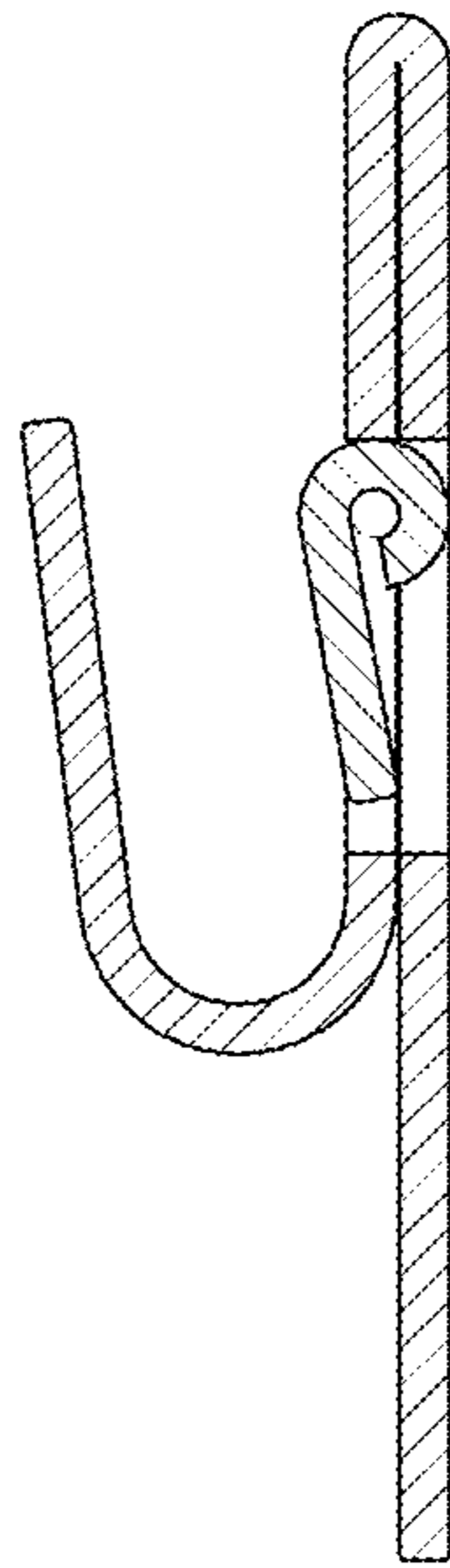
1.6



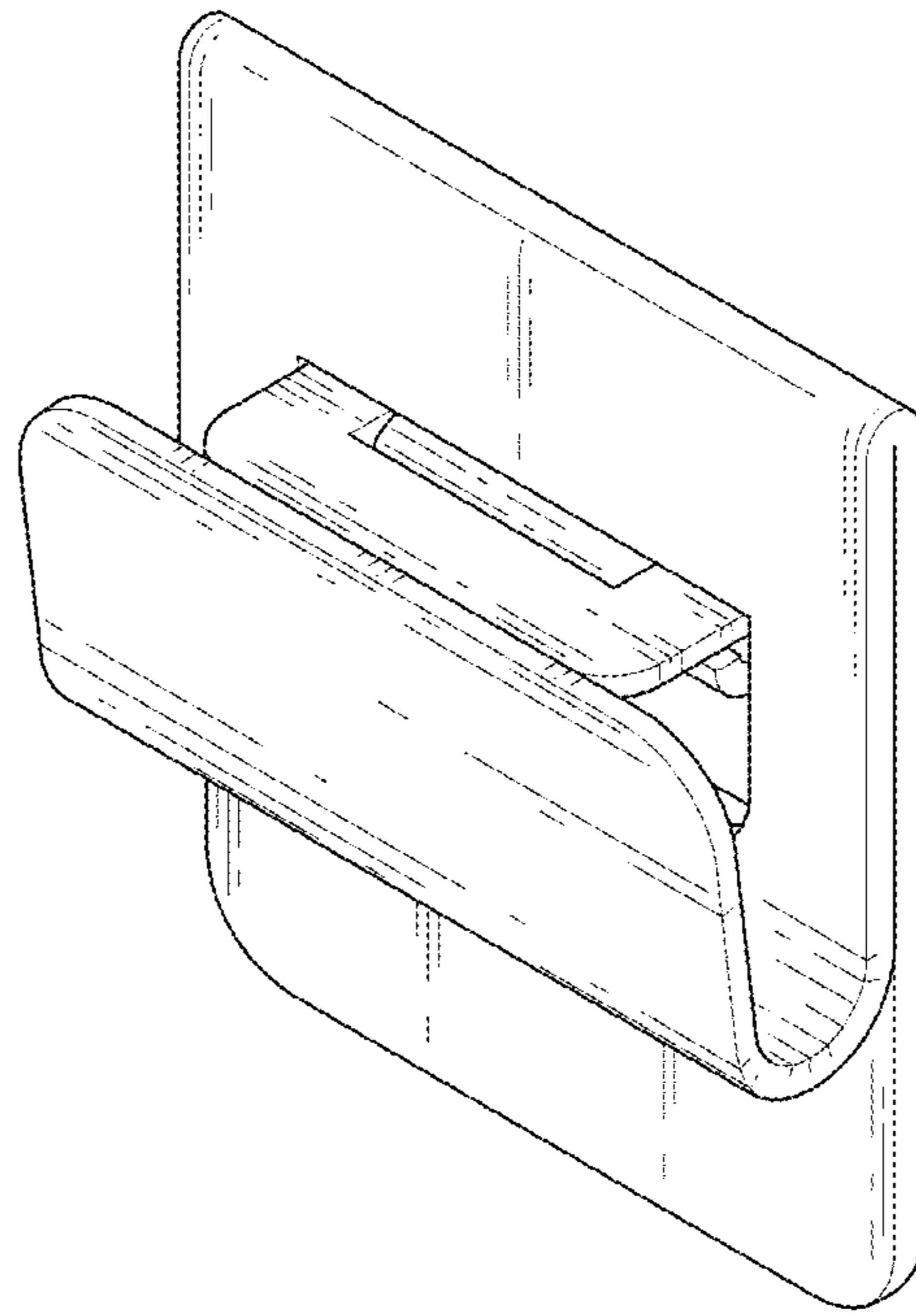
1.7



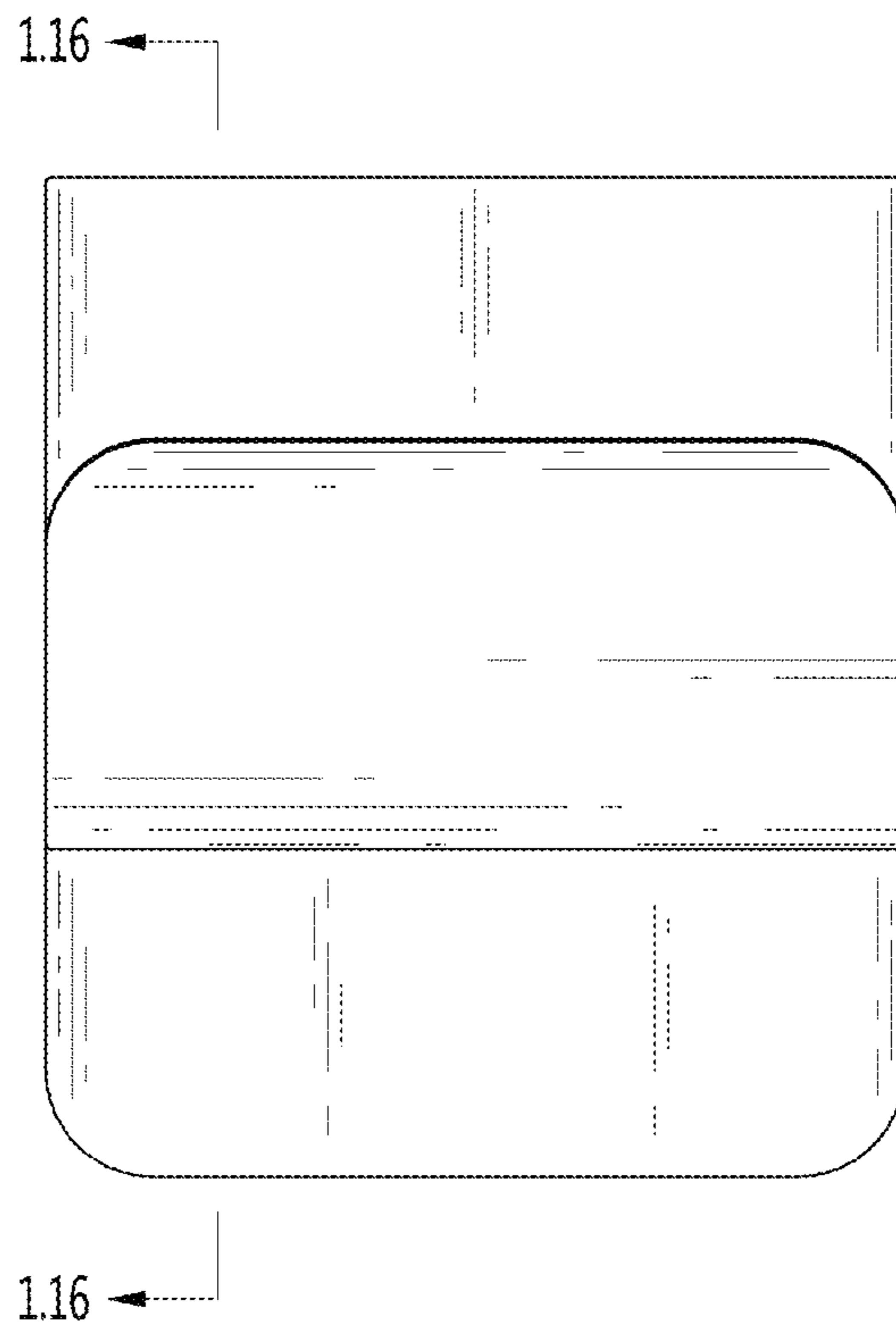
1.8



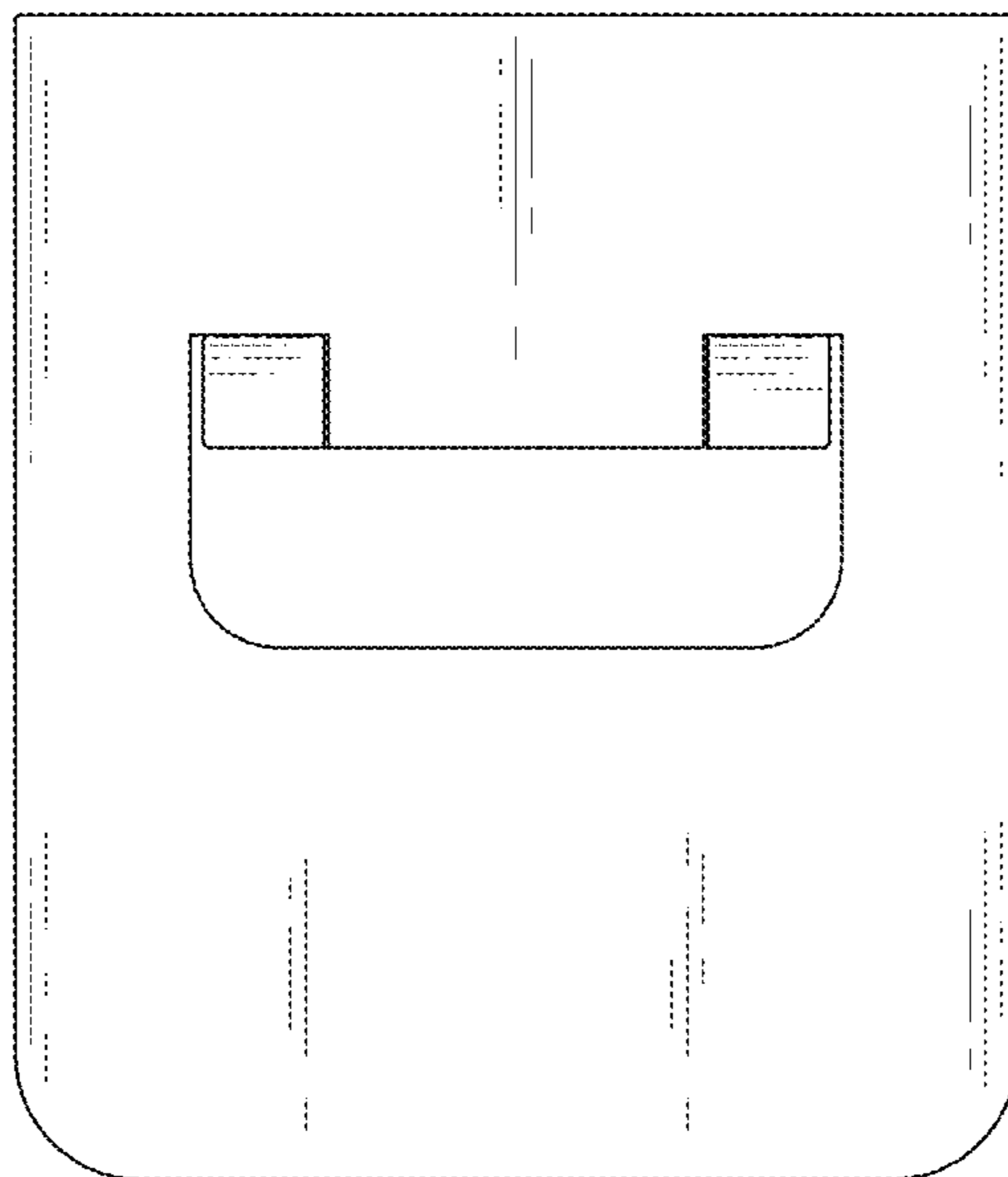
1.9



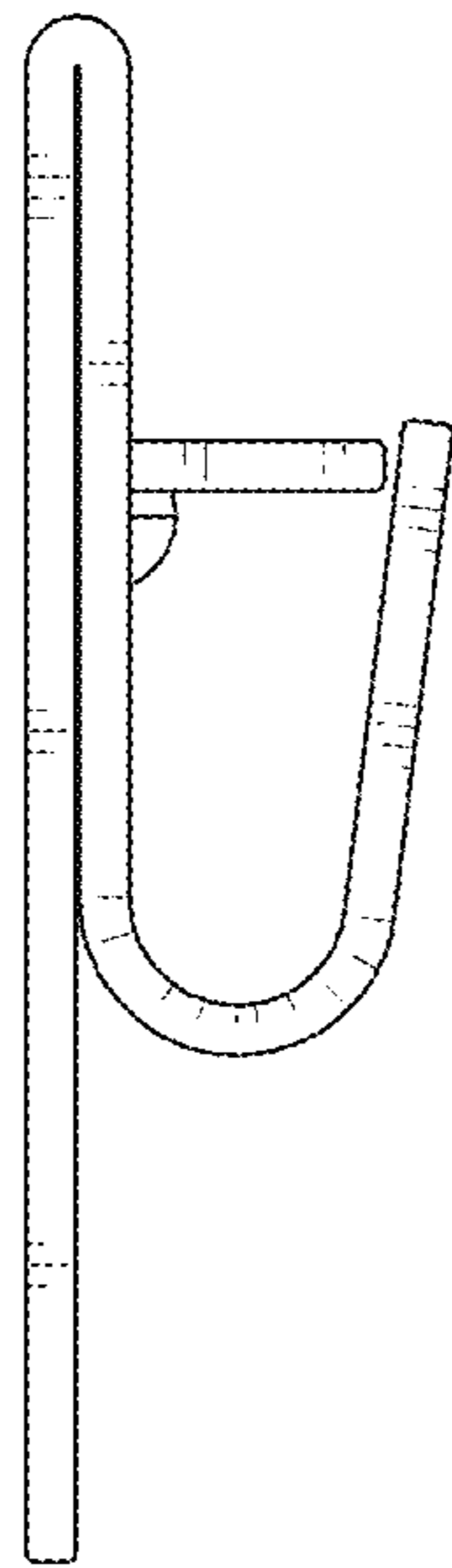
1.10



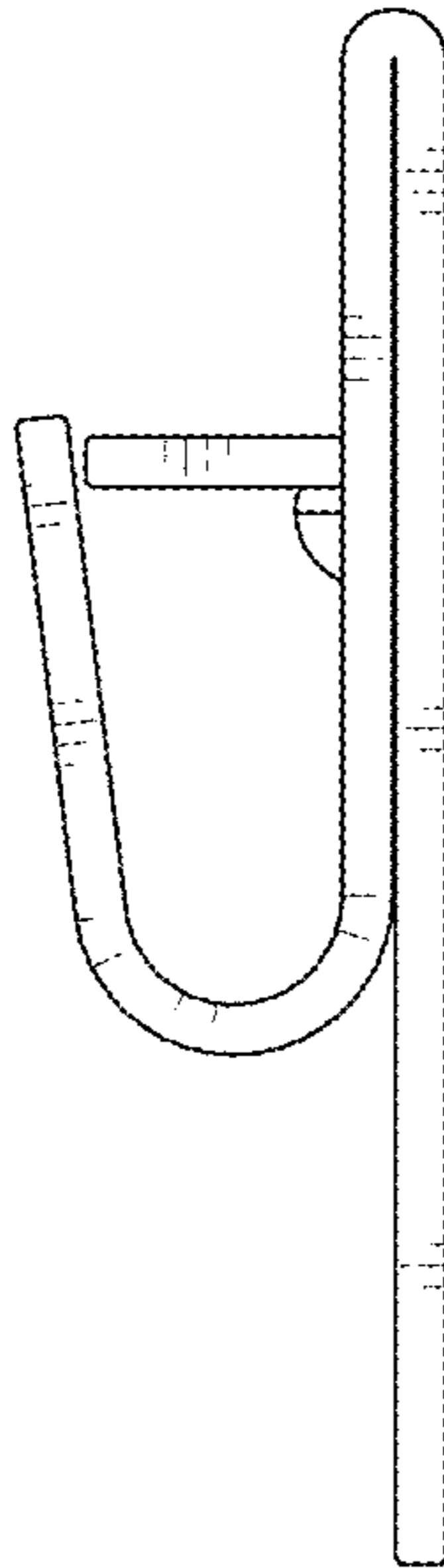
1.11



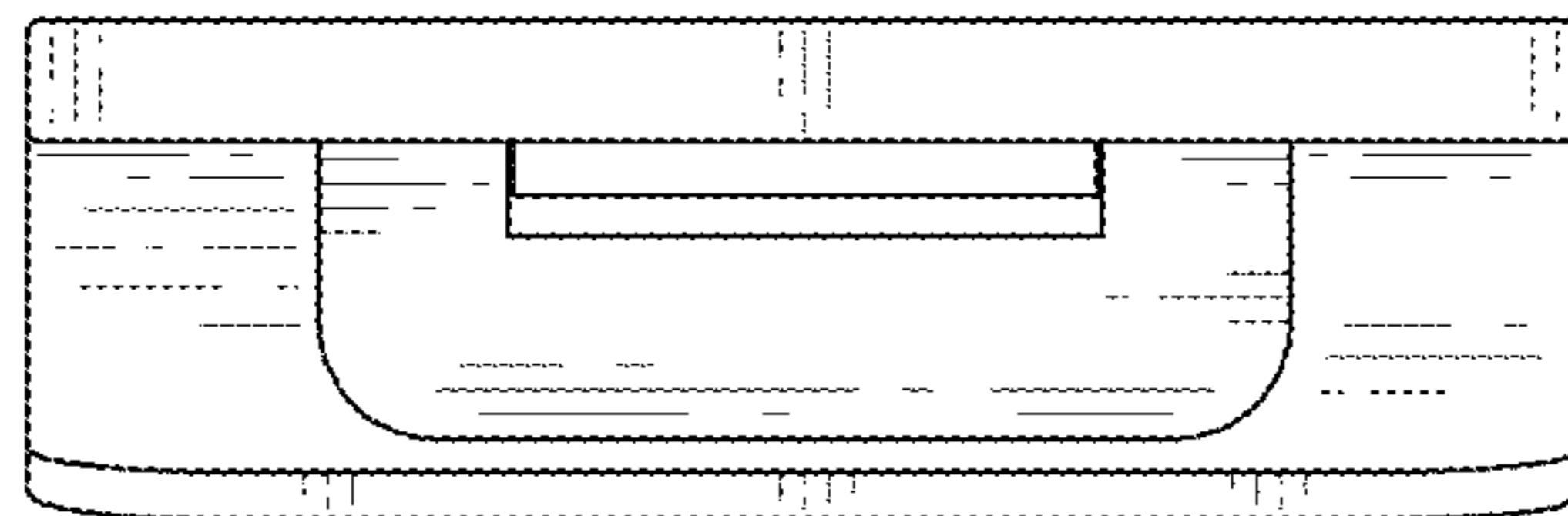
1.12



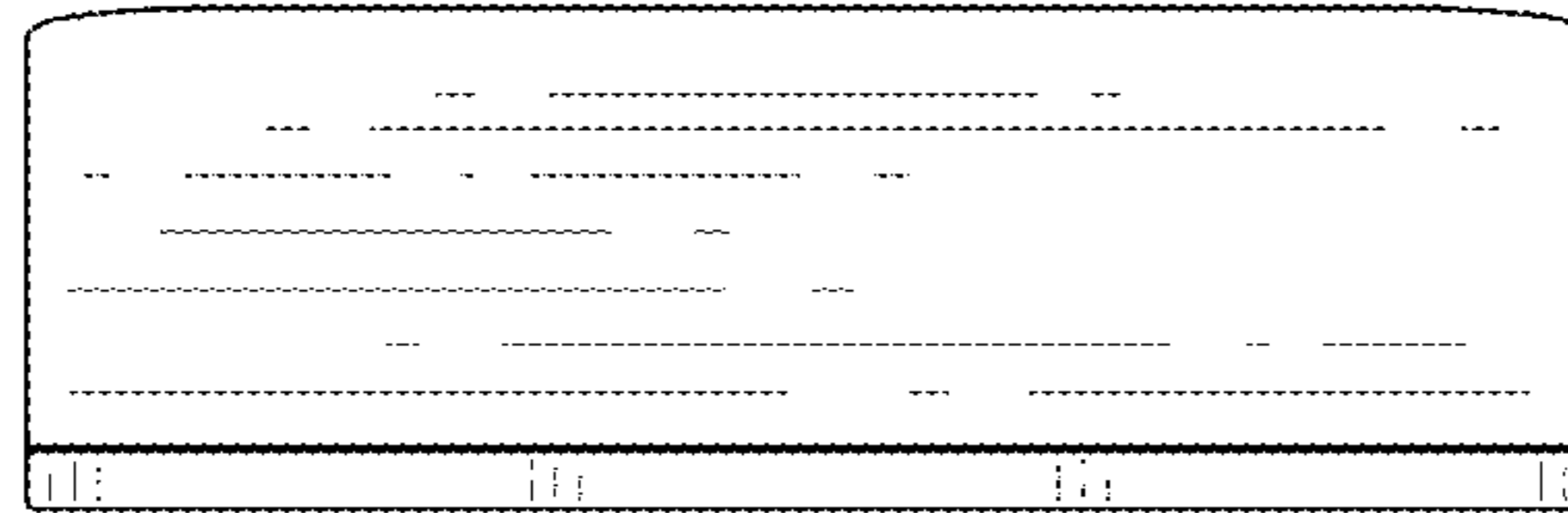
1.13



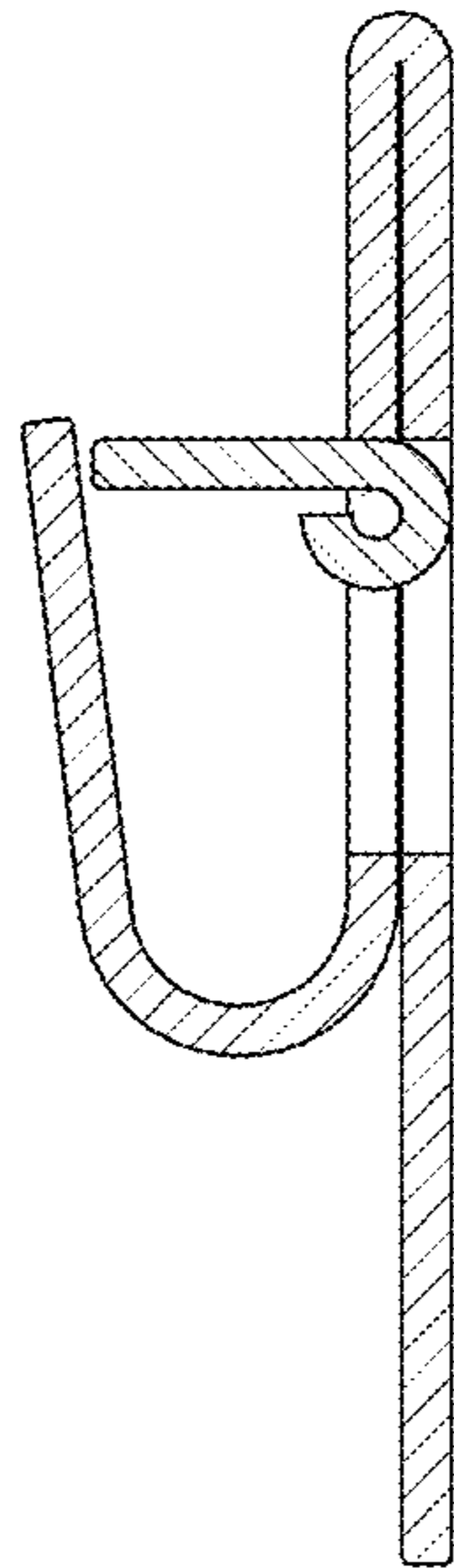
1.14



1.15



1.16



1.17

