



US00D817747S

(12) **United States Design Patent** (10) **Patent No.:** **US D817,747 S**
Dockery et al. (45) **Date of Patent:** **** May 15, 2018**

(54) **HOOK**

(71) Applicant: **Doc's Industries Incorporated**, Simi Valley, CA (US)

(72) Inventors: **Forrest Dockery**, Simi Valley, CA (US); **Chad Dockery**, Moorpark, CA (US); **Ricardo Ochoa**, Simi Valley, CA (US)

5,377,940 A 1/1995 Cabe et al.
 5,385,320 A 1/1995 Ismert et al.
 D373,948 S * 9/1996 Etzel D8/367
 5,639,049 A 6/1997 Jennings et al.
 5,740,994 A 4/1998 Laughlin
 5,961,081 A 10/1999 Rinderer
 5,964,434 A 10/1999 Lynch, Jr.
 5,988,570 A 11/1999 Gretz
 6,332,594 B2 12/2001 Shelton et al.
 7,520,476 B2 4/2009 Caveney et al.
 D669,344 S * 10/2012 Martin D8/367

(73) Assignee: **Doc's Industries Incorporated**, Simi Valley, CA (US)

(**) Term: **15 Years**

(21) Appl. No.: **29/595,547**

(22) Filed: **Feb. 28, 2017**

(51) **LOC (11) Cl.** **08-05**

(52) **U.S. Cl.**
 USPC **D8/367**

(58) **Field of Classification Search**
 USPC D8/367, 354, 349, 394; D6/323, 320, D6/324
 CPC F16L 3/13; F16L 3/26; A47G 23/0225; A47G 25/06; A47G 1/16; A47G 25/0607; A47F 5/0846; A47F 5/02; H02G 11/003; D06F 55/00; E04H 17/10; A47K 10/04
 See application file for complete search history.

(56) **References Cited**

U.S. PATENT DOCUMENTS

840,009 A 1/1907 Peirce
 1,246,325 A 11/1917 Rohmer
 2,466,912 A 4/1949 Rice
 2,936,980 A 5/1960 Rapata
 3,218,012 A 11/1965 Volpe
 4,039,131 A 8/1977 Perrault et al.
 4,181,279 A 1/1980 Perrault et al.
 D308,015 S * 5/1990 Volpe D12/317

FOREIGN PATENT DOCUMENTS

EP 1070894 A2 1/2001

Primary Examiner — Cynthia Underwood

(74) *Attorney, Agent, or Firm* — Dinsmore & Shohl LLP

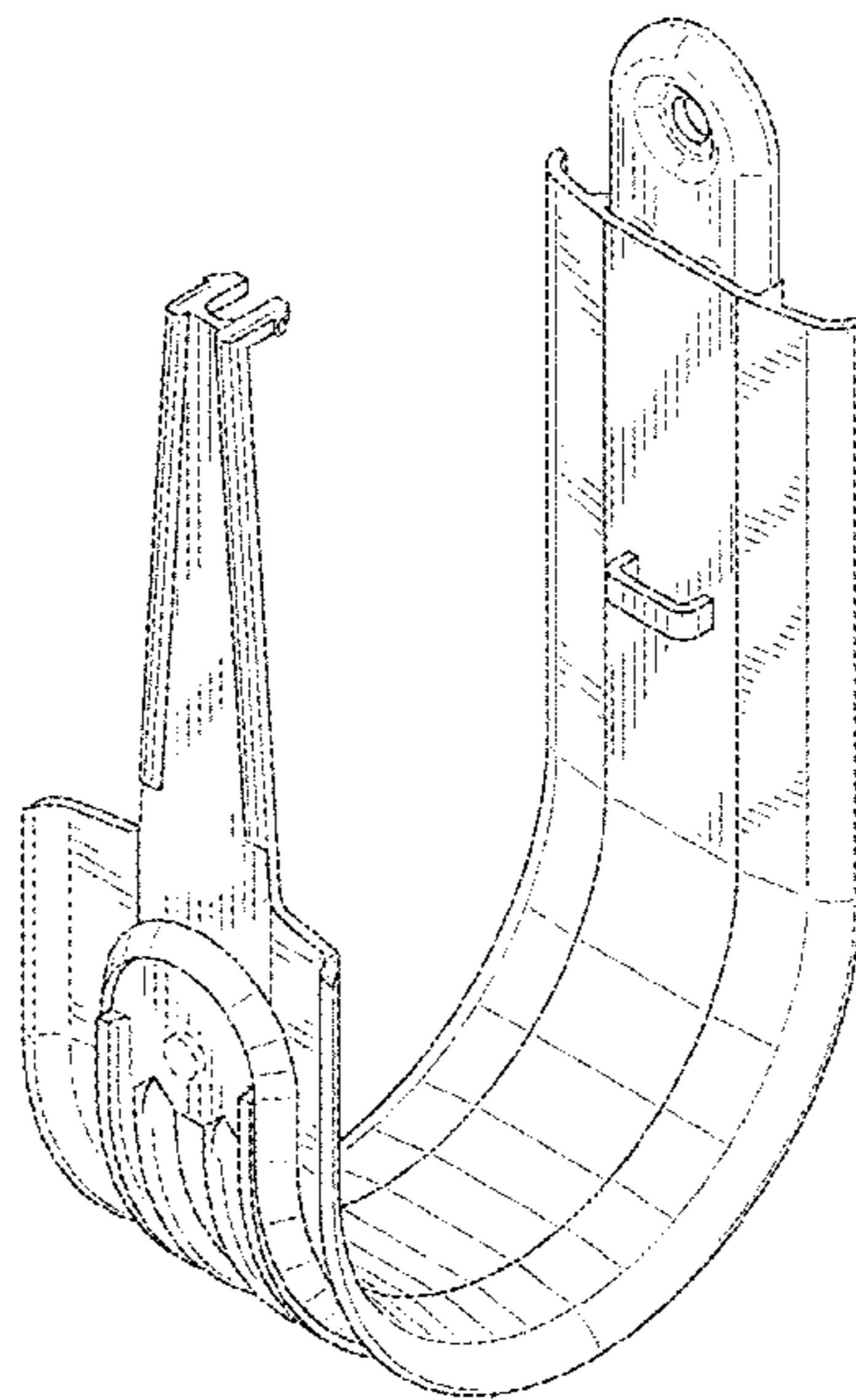
(57) **CLAIM**

The ornamental design for a hook, as shown and described.

DESCRIPTION

FIG. 1 is a perspective view including a front, top and one side of the hook;
 FIG. 2 is a planar view of the front of the hook of FIG. 1;
 FIG. 3 is a planar view of the rear of the hook of FIG. 1;
 FIG. 4 is a planar view of the one side of the hook of FIG. 1;
 FIG. 5 is a planar view of the other side of the hook of FIG. 1;
 FIG. 6 is a planar view of the top of the hook of FIG. 1;
 FIG. 7 is a planar view of the bottom of the hook of FIG. 1;
 and,
 FIG. 8 is a perspective view including a rear, top and the other side of the hook of FIG. 1.
 The broken lines show pins for mounting one portion of the hook to another portion of the hook and form no part of the claimed design.

1 Claim, 5 Drawing Sheets



(56)

References Cited

U.S. PATENT DOCUMENTS

8,616,512 B2 * 12/2013 McMath F16L 3/1218
248/304
D700,828 S * 3/2014 Goodman D8/367
D700,829 S * 3/2014 Nanbu D8/367
D772,043 S * 11/2016 Forrest D8/367
D793,212 S * 8/2017 Thompson D8/380
2003/0102412 A1 6/2003 Miescher
2005/0056736 A1 3/2005 Thompson
2008/0093510 A1 4/2008 Oh et al.
2009/0057498 A1 3/2009 Oh et al.

* cited by examiner

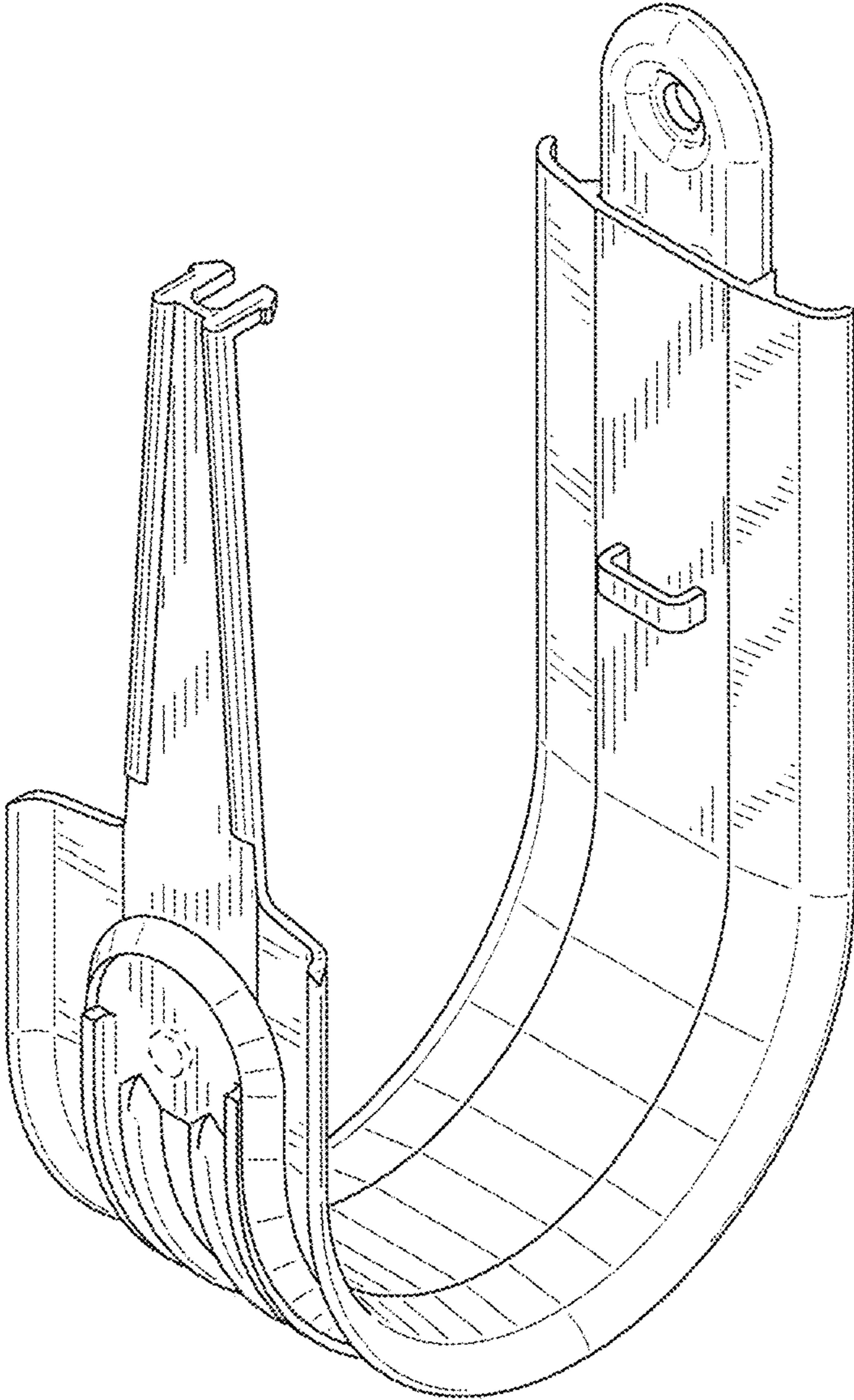


FIG. 1

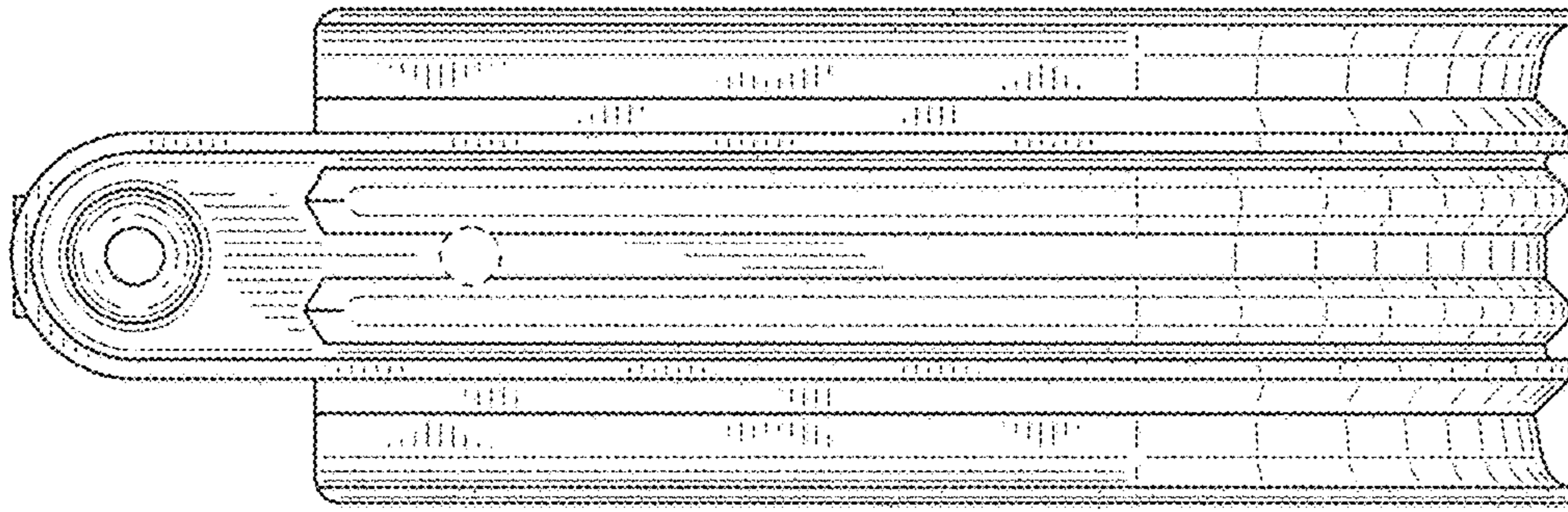


FIG. 3

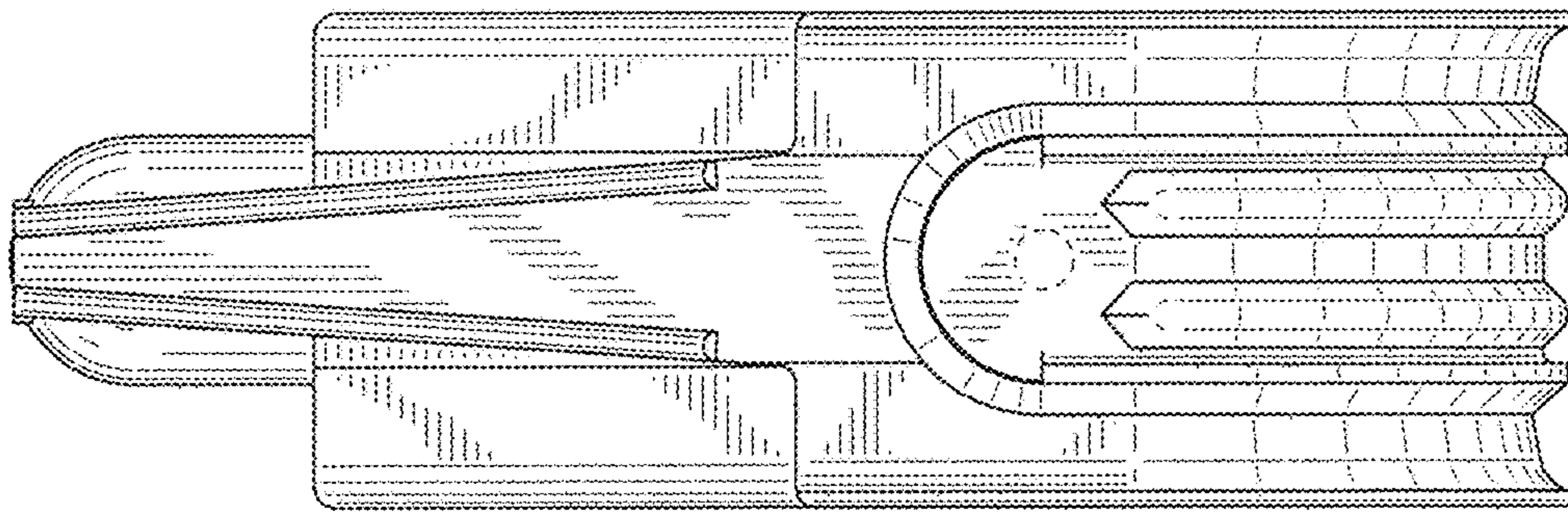


FIG. 2

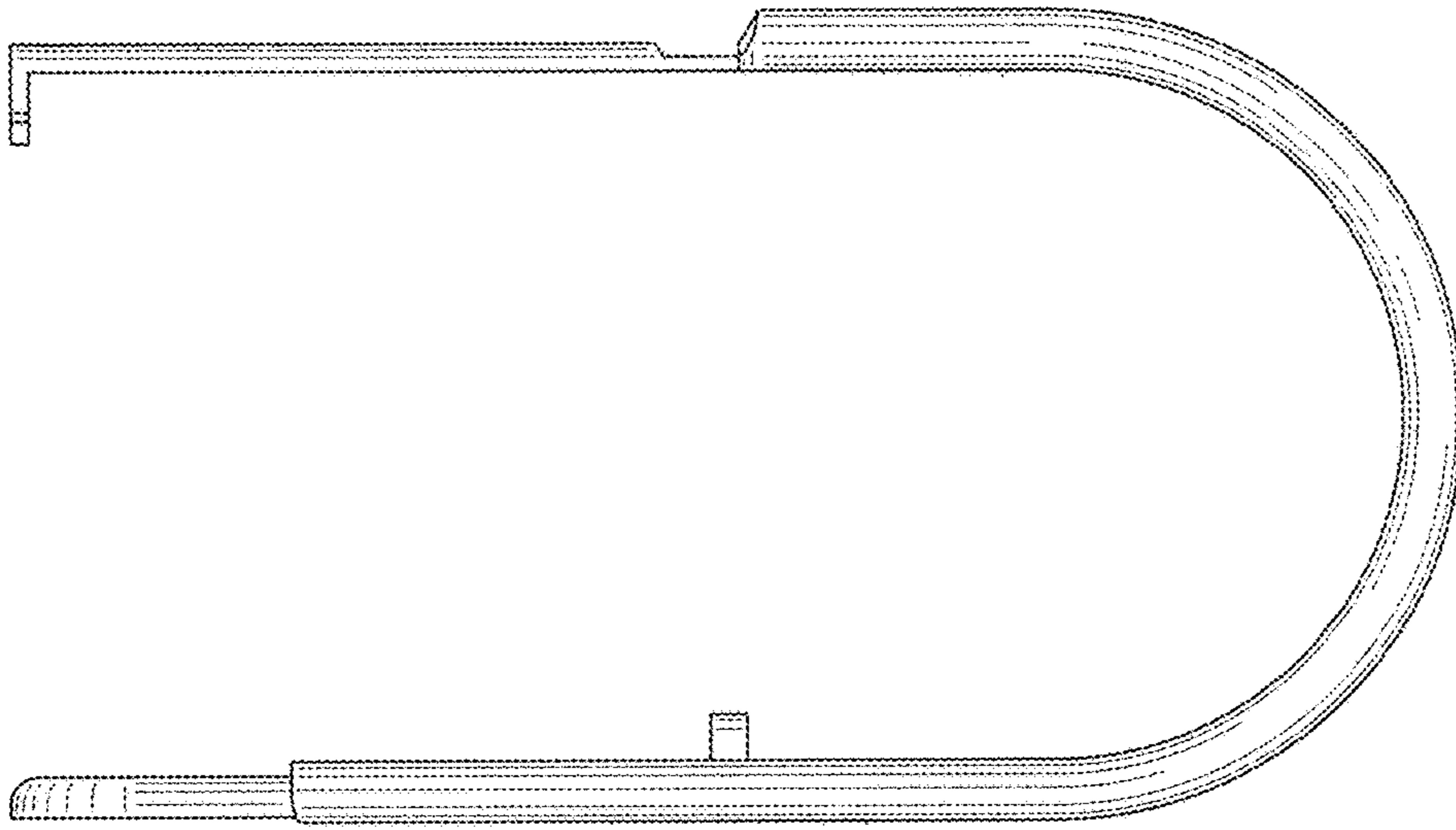


FIG. 5

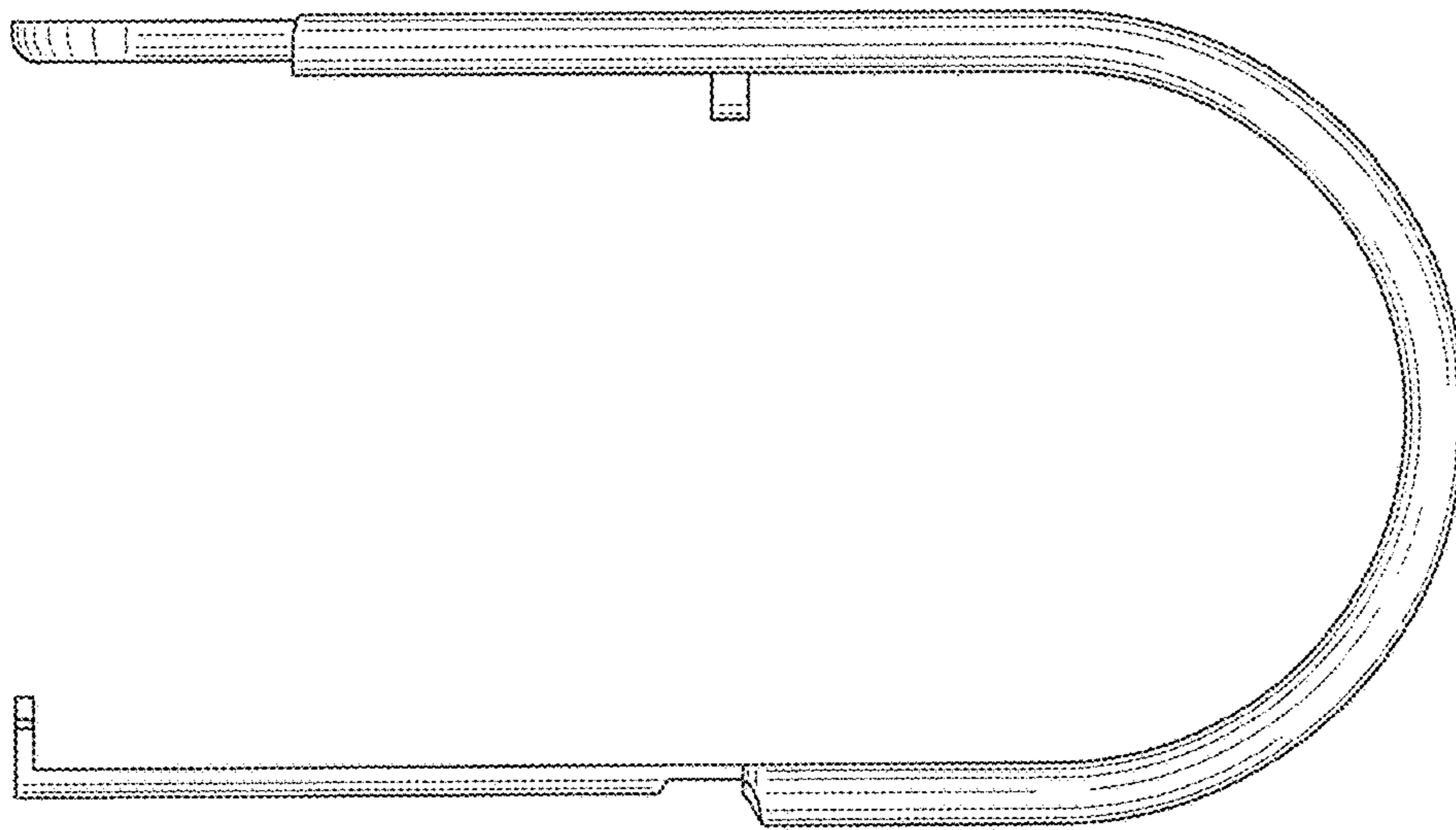


FIG. 4

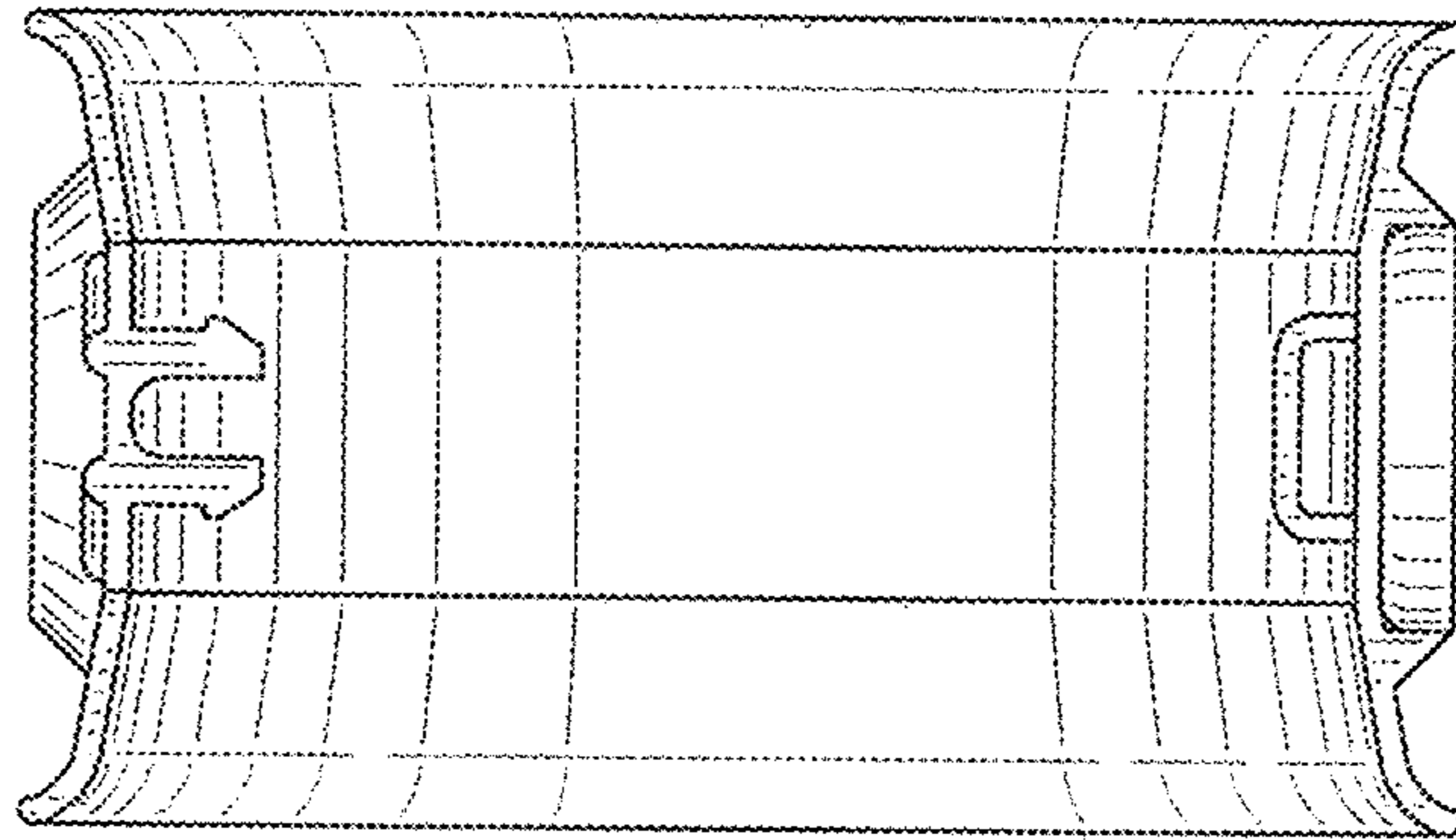


FIG. 6

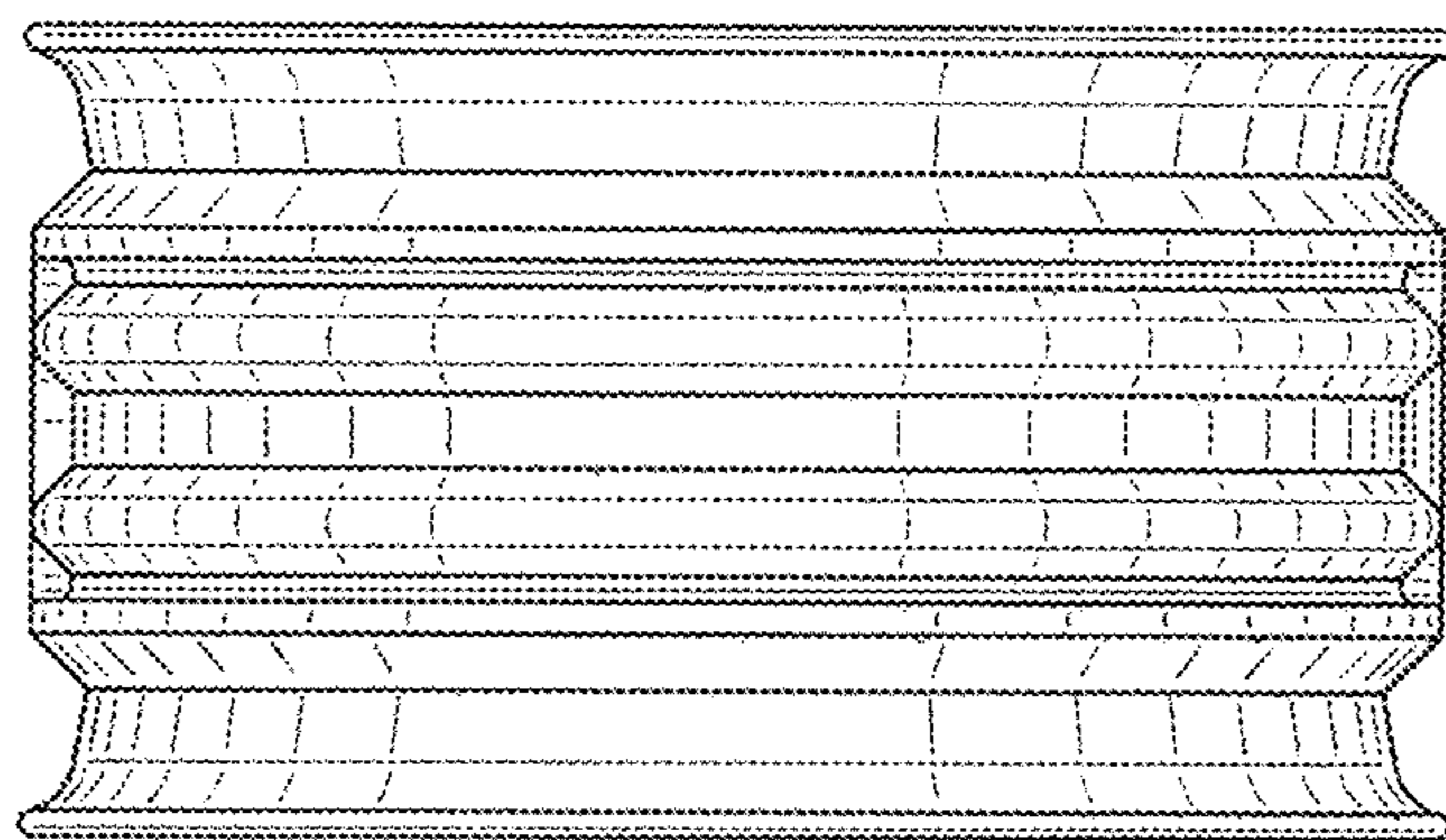


FIG. 7

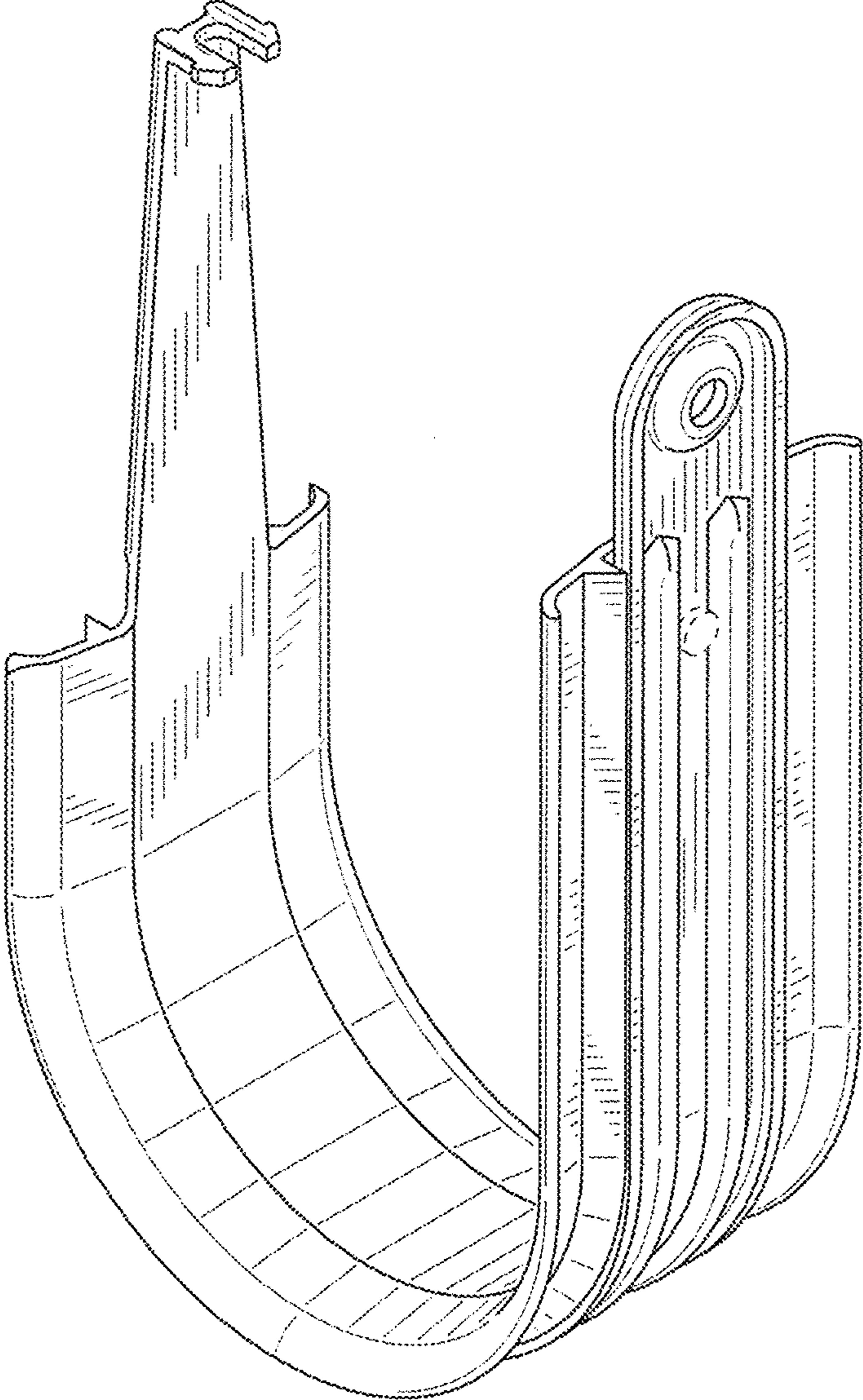


FIG. 8