

US00D817746S

(12) **United States Design Patent**
Brown

(10) **Patent No.:** **US D817,746 S**

(45) **Date of Patent:** **** May 15, 2018**

(54) **DOOR HANGER**

(71) Applicant: **Kelli Edrington Brown**, Jonesboro, AR (US)

(72) Inventor: **Kelli Edrington Brown**, Jonesboro, AR (US)

(73) Assignee: **E & O SOLUTIONS LLC**, Jonesboro, AR (US)

(**) Term: **15 Years**

(21) Appl. No.: **29/594,266**

(22) Filed: **Feb. 16, 2017**

(51) **LOC (11) Cl.** **08-05**

(52) **U.S. Cl.**
USPC **D8/367**

(58) **Field of Classification Search**
USPC D8/367, 354, 349, 394, 372; D6/323, D6/320, 324
CPC F16L 3/13; F16L 3/26; A47G 23/0225; A47G 25/06; A47G 1/16; A47G 25/0607; A47G 1/17; A47F 5/0846; A47F 5/02; H02G 11/003; D06F 55/00; E04H 17/10; A47K 10/04
See application file for complete search history.

(56) **References Cited**

U.S. PATENT DOCUMENTS

D312,385 S * 11/1990 Hamann D8/367
D426,390 S * 6/2000 Green D6/323

D478,731 S * 8/2003 Hoernig D6/323
D564,342 S * 3/2008 Gassew D8/356
D613,151 S * 4/2010 Goodman D8/367
D738,100 S * 9/2015 Forthuber D3/10
D756,205 S * 5/2016 New D8/367
D781,683 S * 3/2017 Yi D8/354
D803,035 S * 11/2017 Gale D8/367

* cited by examiner

Primary Examiner — Cynthia Underwood

(74) *Attorney, Agent, or Firm* — Schrantz Law Firm, PLLC; Stephen D. Schrantz

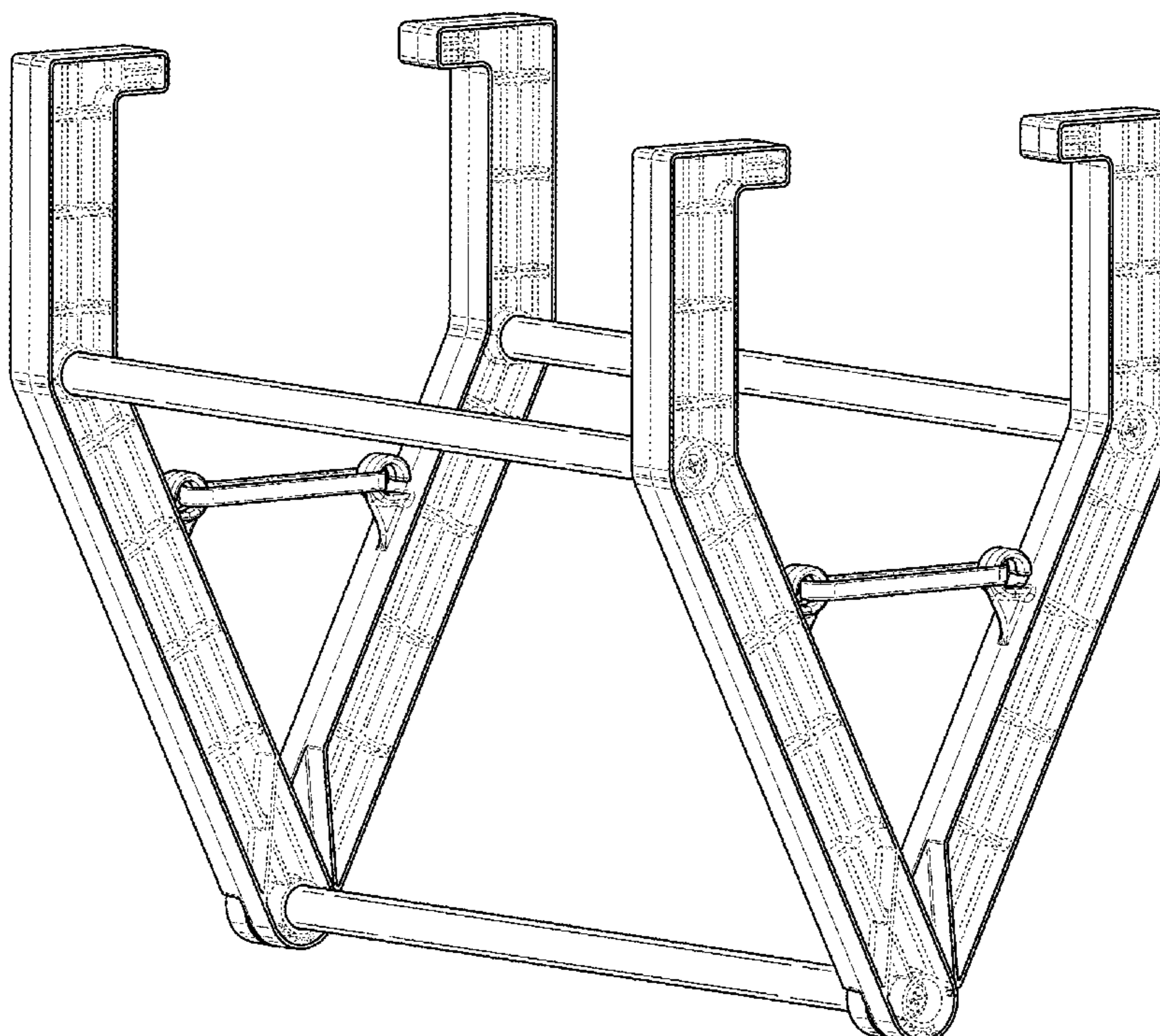
(57) **CLAIM**

The ornamental design for a door hanger, as shown and described.

DESCRIPTION

FIG. 1 is a perspective view showing my new design; FIG. 2 is a front view thereof, the rear view being identical to the front view; FIG. 3 is a top view thereof; FIG. 4 is a bottom view thereof; FIG. 5 is a right side view thereof, the left side view being identical to the right side view; and, FIG. 6 is a perspective view thereof shown reduced in scale and in an environment of use. The broken lines represent environment and form no part of the claim.

1 Claim, 5 Drawing Sheets



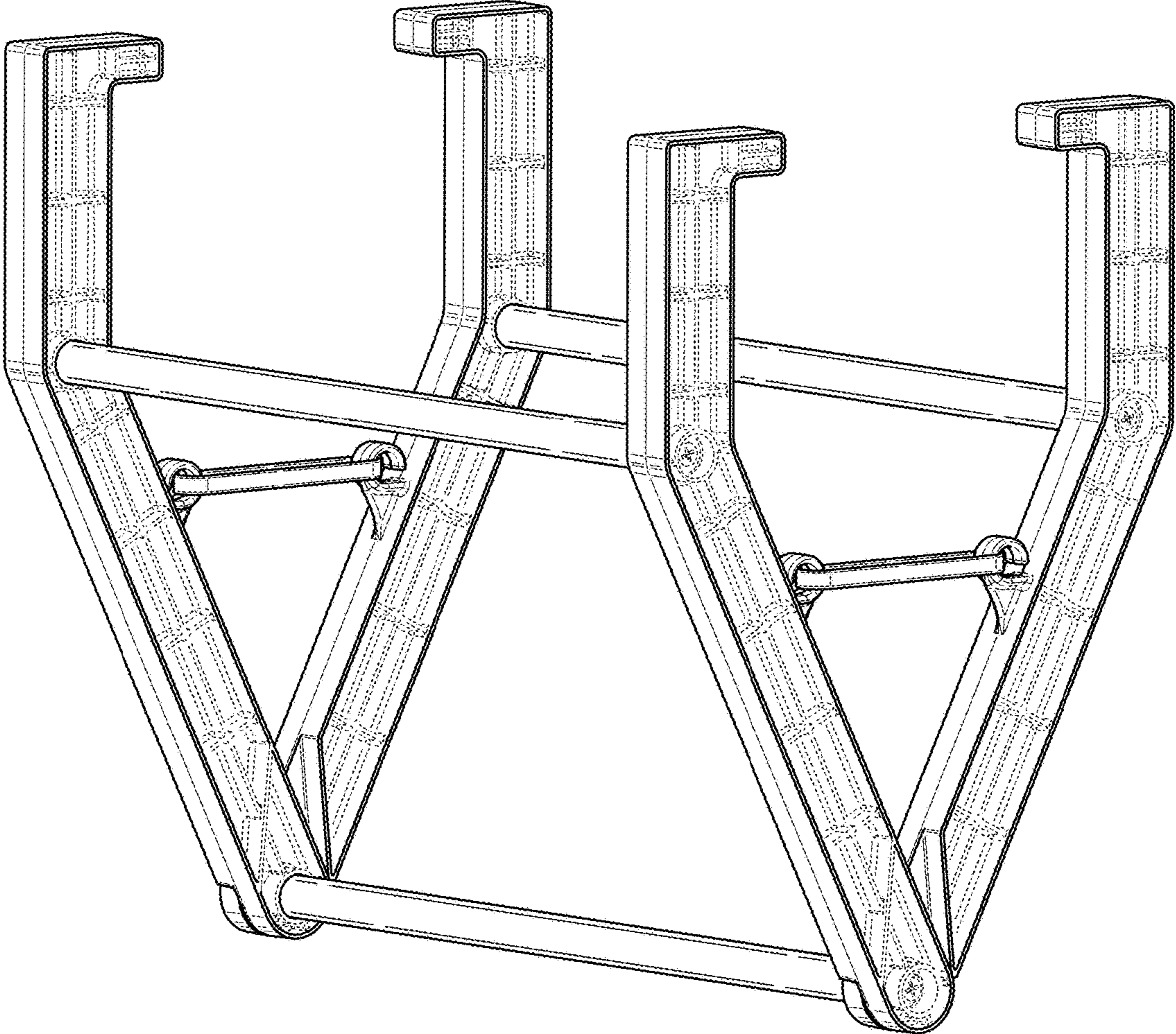


FIG. 1

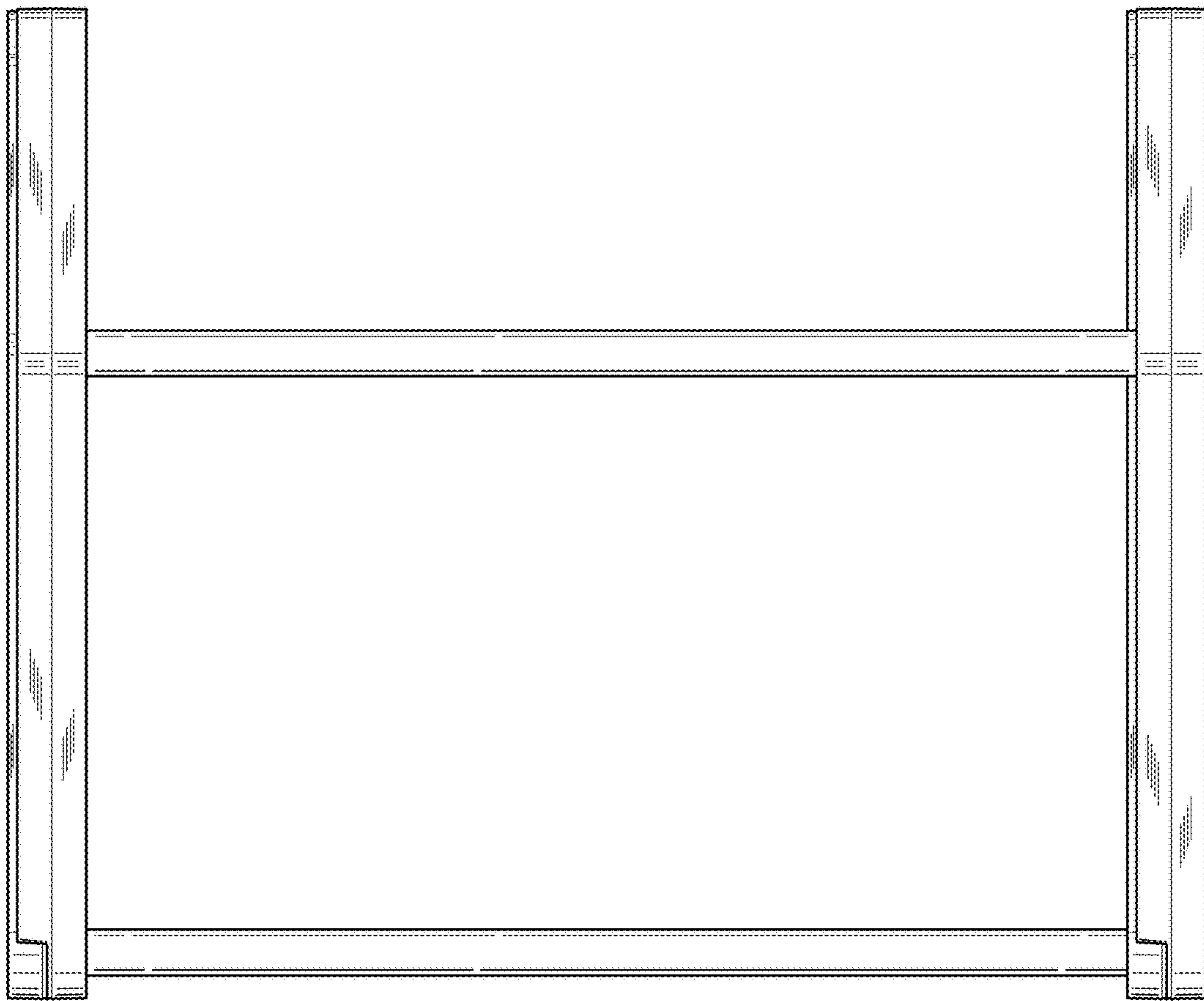


FIG. 2

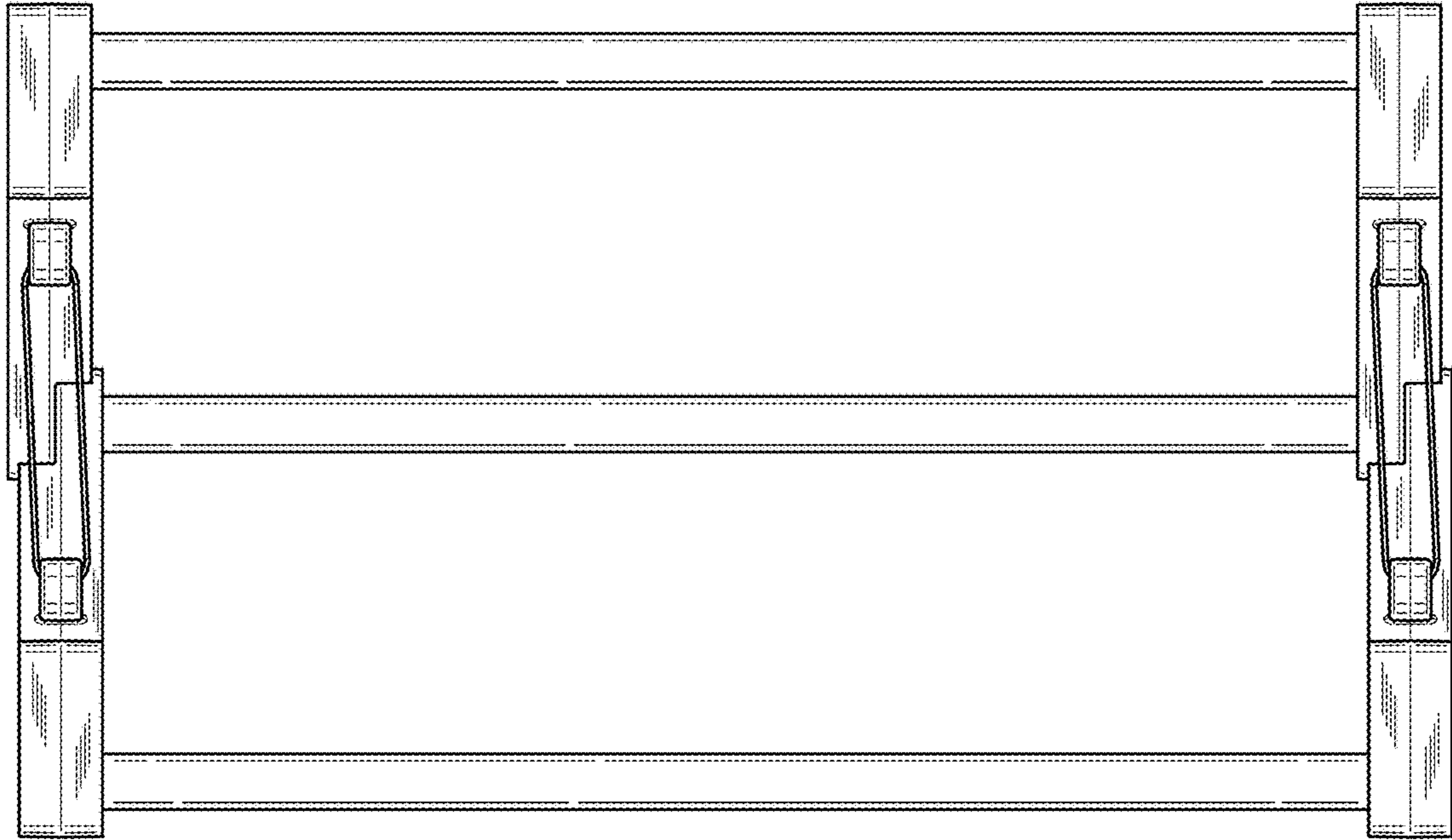


FIG. 3

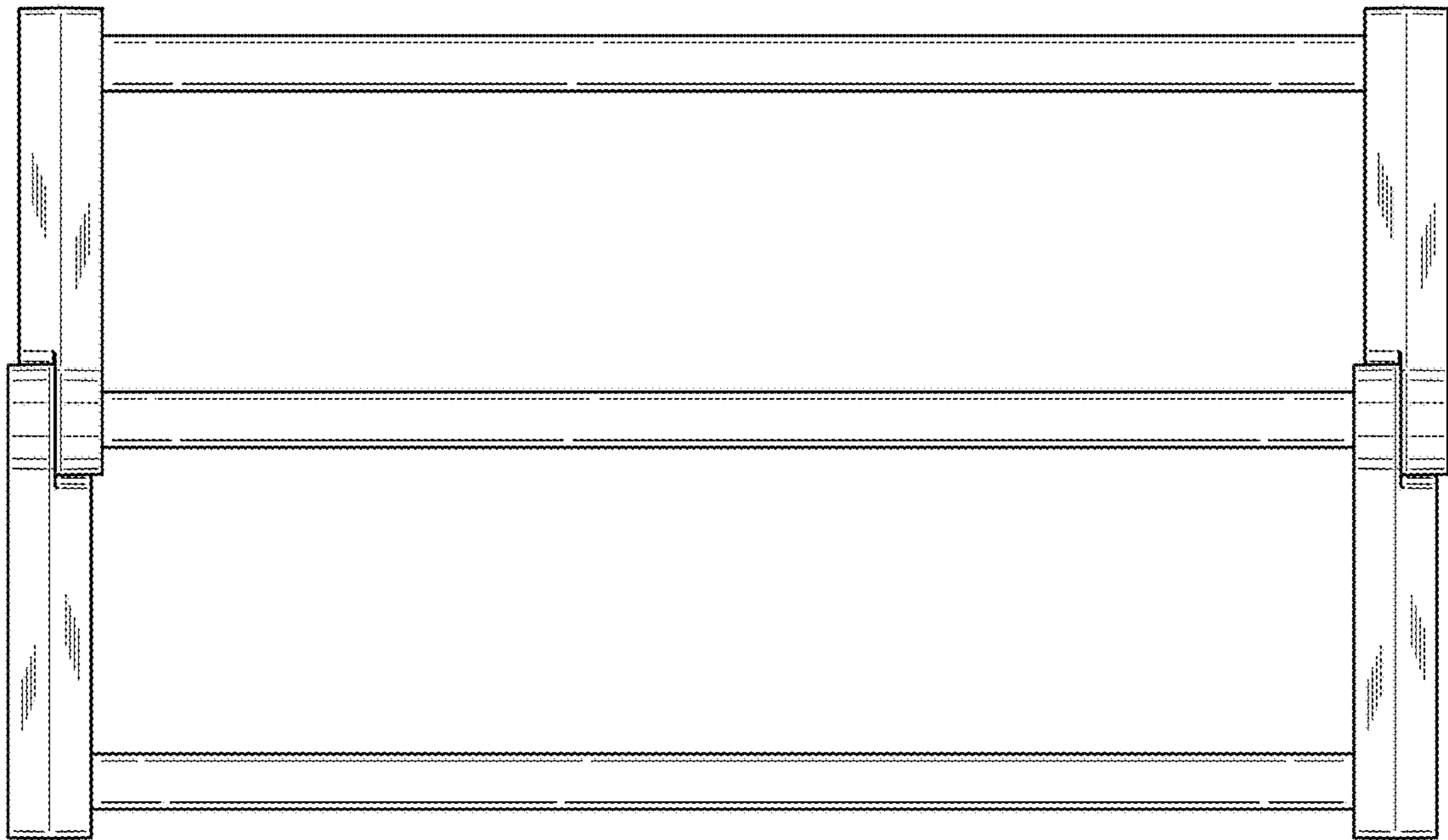


FIG. 4

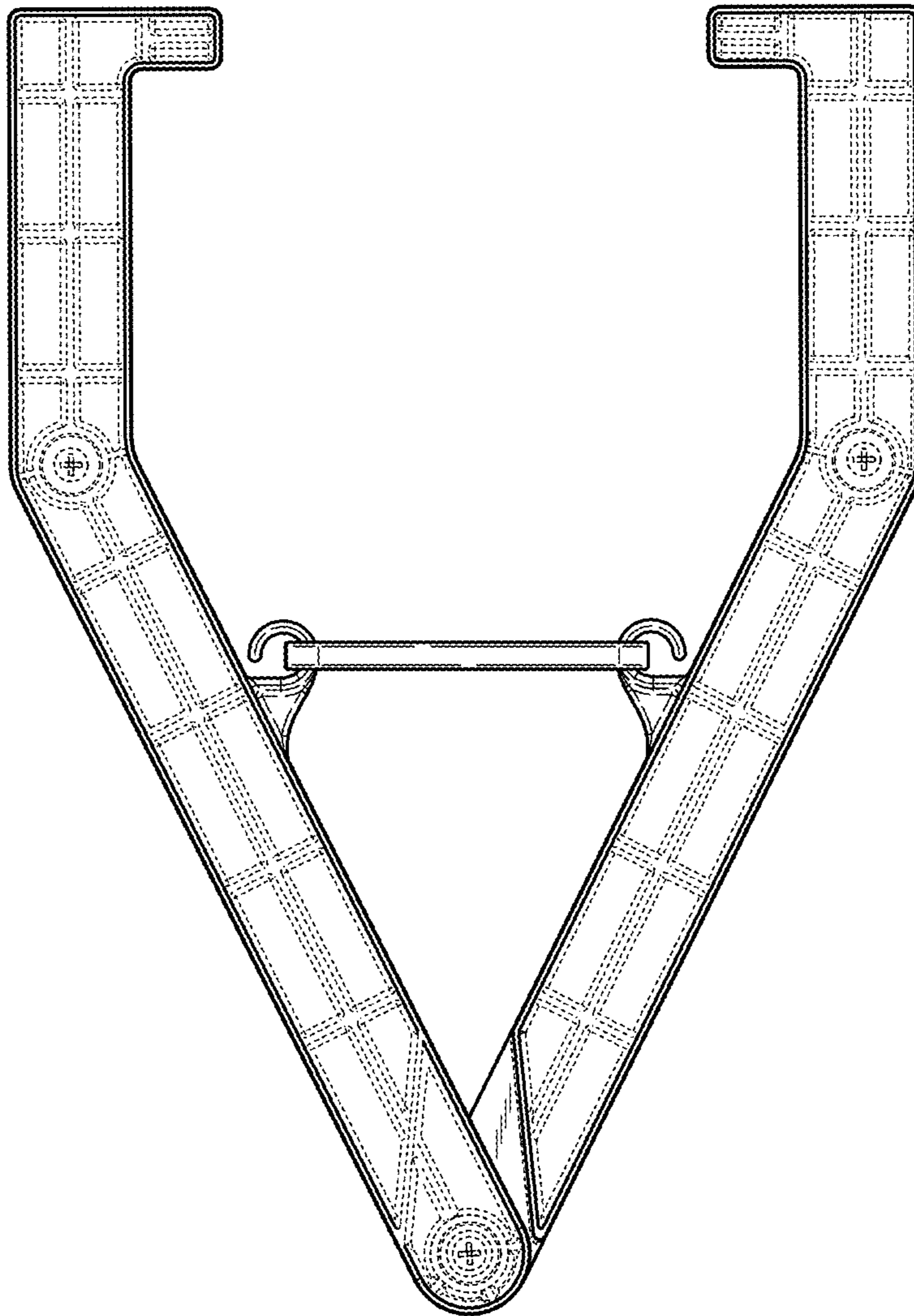


FIG. 5

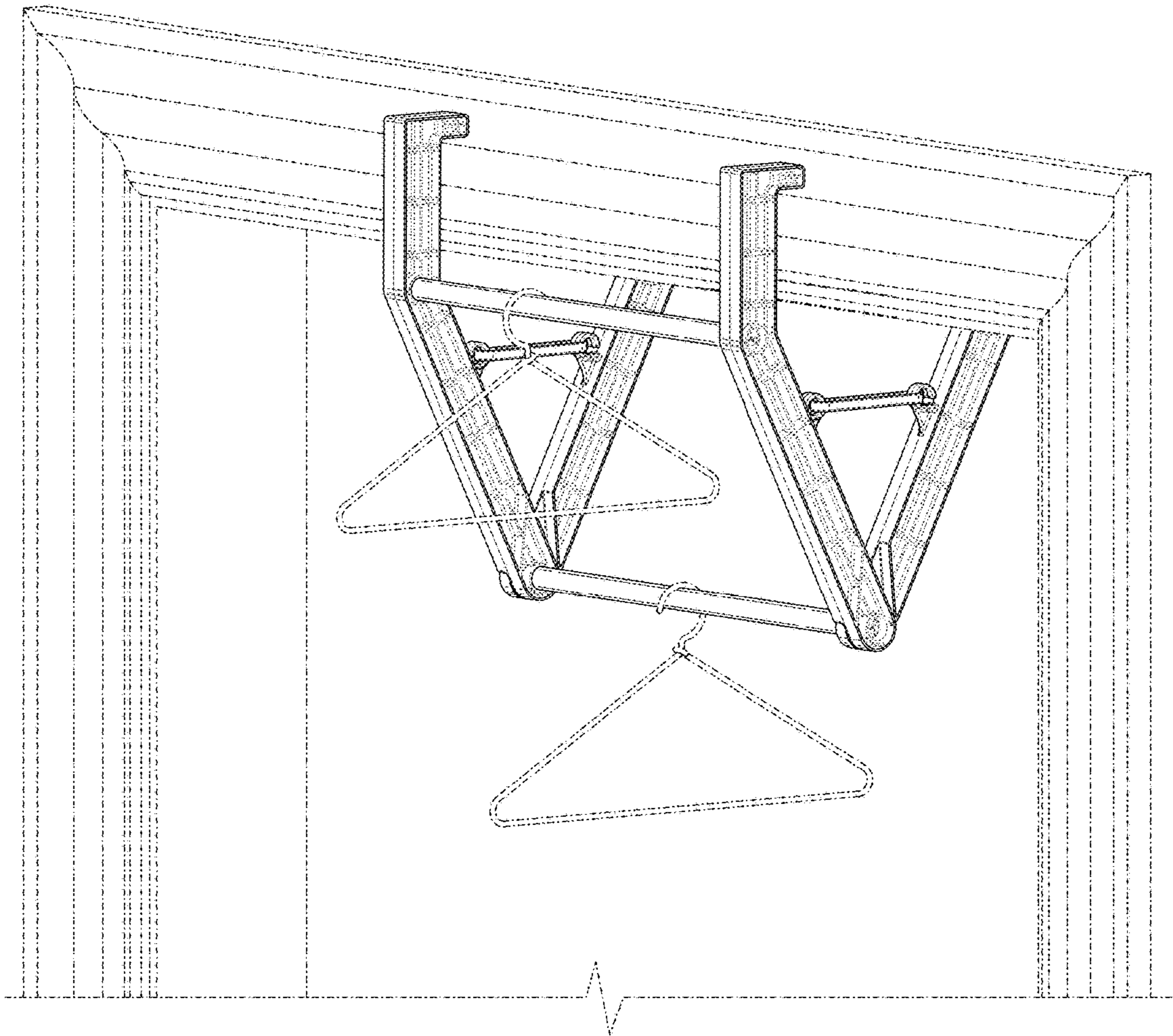


FIG. 6