



US00D817745S

(12) **United States Design Patent** (10) **Patent No.:** **US D817,745 S**
Berger et al. (45) **Date of Patent:** **** May 15, 2018**

(54) **HOOK**

(71) Applicant: **3M INNOVATIVE PROPERTIES COMPANY**, St. Paul, MN (US)
(72) Inventors: **Bryan Berger**, Minneapolis, MN (US); **Angela L. Pan**, Arden Hills, MN (US)
(73) Assignee: **3M INNOVATIVE PROPERTIES COMPANY**, St. Paul, MN (US)

(**) Term: **15 Years**

(21) Appl. No.: **29/594,044**

(22) Filed: **Feb. 15, 2017**

(51) **LOC (11) Cl.** **08-05**

(52) **U.S. Cl.**
USPC **D8/367**

(58) **Field of Classification Search**
USPC D8/367, 354, 349, 394
CPC F16L 3/13; F16L 3/26; A47G 23/0225;
A47G 25/06; A47G 1/16; A47F 5/0846;
A47F 5/02; H02G 11/003; D06F 55/00;
E04H 17/10

See application file for complete search history.

(56) **References Cited**

U.S. PATENT DOCUMENTS

D241,206 S *	8/1976	Halsted et al.	D6/323
D289,139 S *	4/1987	Chasen	D6/323
D289,255 S *	4/1987	Chasen	D6/323
D307,539 S *	5/1990	Goodman	D8/367
D312,384 S *	11/1990	Hamann	248/301
D312,385 S *	11/1990	Hamann	D8/367
D312,959 S *	12/1990	Hamann	248/220.43
D339,058 S *	9/1993	Greenhut	D8/367

(Continued)

FOREIGN PATENT DOCUMENTS

CN	300852022	11/2008
CN	303187893	4/2015

(Continued)

OTHER PUBLICATIONS

“Urban Outfitters: Magical Thinking Artemis Wall Mounted Necklace Holder”, [retrieved from the internet on Apr. 10, 2017], URL <<http://www.urbanoutfitters.com/urban/catalog/productdetail.jsp?id=35695584&category=A DEC JEWELRYBOX>>, pp. 1-5.

(Continued)

Primary Examiner — Cythnia Underwood

(74) *Attorney, Agent, or Firm* — Irina Hass

(57) **CLAIM**

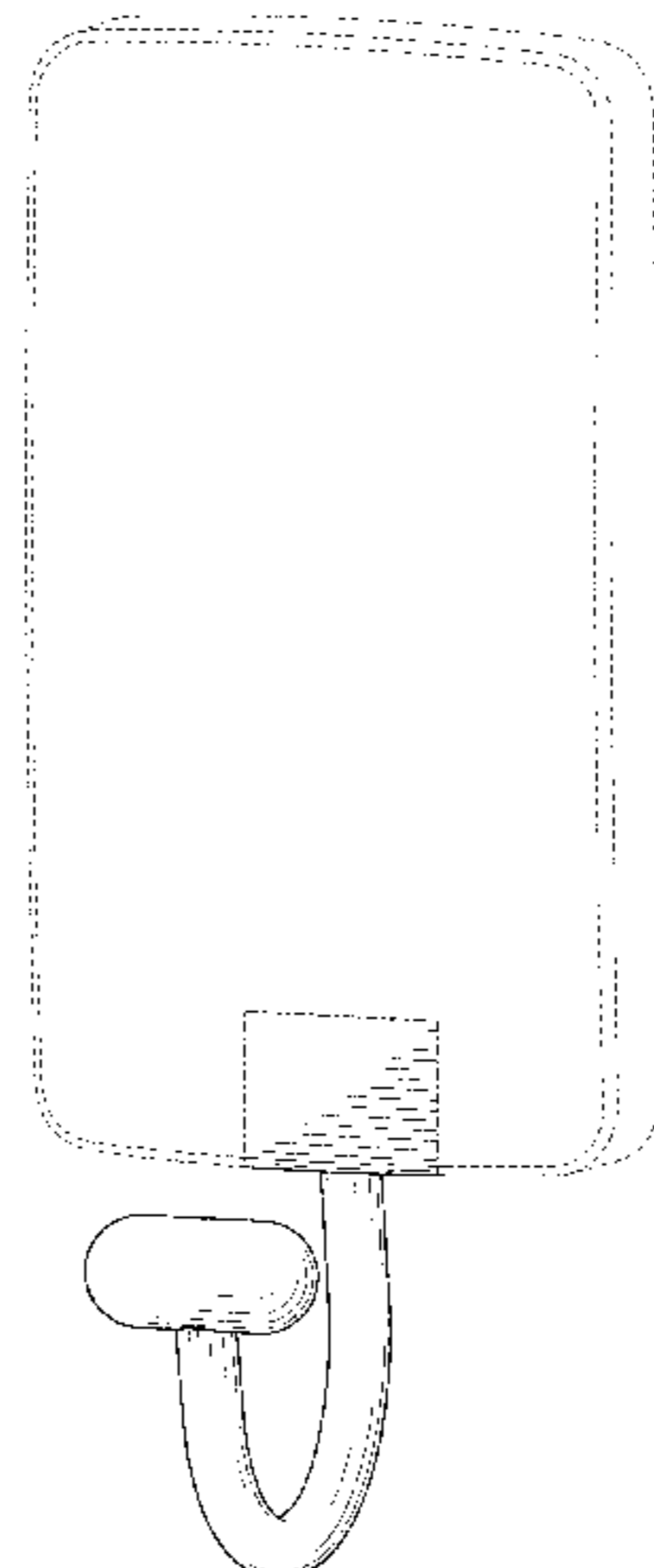
The ornamental design for a hook, as shown and described.

DESCRIPTION

FIG. 1 is a perspective view of a first embodiment of a hook showing the new design;
FIG. 2 is a front view thereof;
FIG. 3 is a rear view thereof;
FIG. 4 is a left side view thereof;
FIG. 5 is a right side view thereof;
FIG. 6 is a top view thereof;
FIG. 7 is a bottom view thereof;
FIG. 8 is a perspective view of a second embodiment of a hook showing the new design;
FIG. 9 is a front view thereof;
FIG. 10 is a rear view thereof;
FIG. 11 is a left side view thereof;
FIG. 12 is a right side view thereof;
FIG. 13 is a top view thereof; and,
FIG. 14 is a bottom view thereof.

In the drawings, the dash-dot-dash lines represent boundaries of the claim. The portions of the hook in FIGS. 1-14 shown in broken lines are included to show features that form no part of the claimed design.

1 Claim, 11 Drawing Sheets



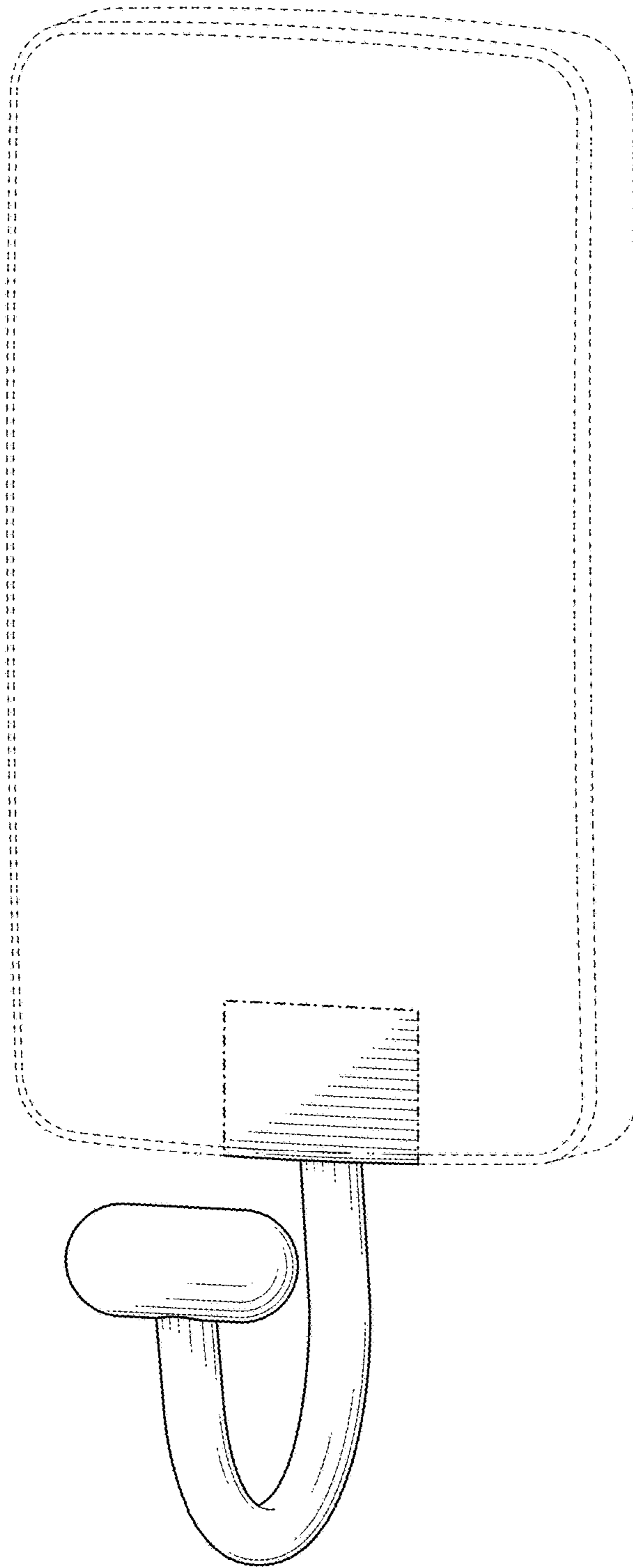


FIG. 1

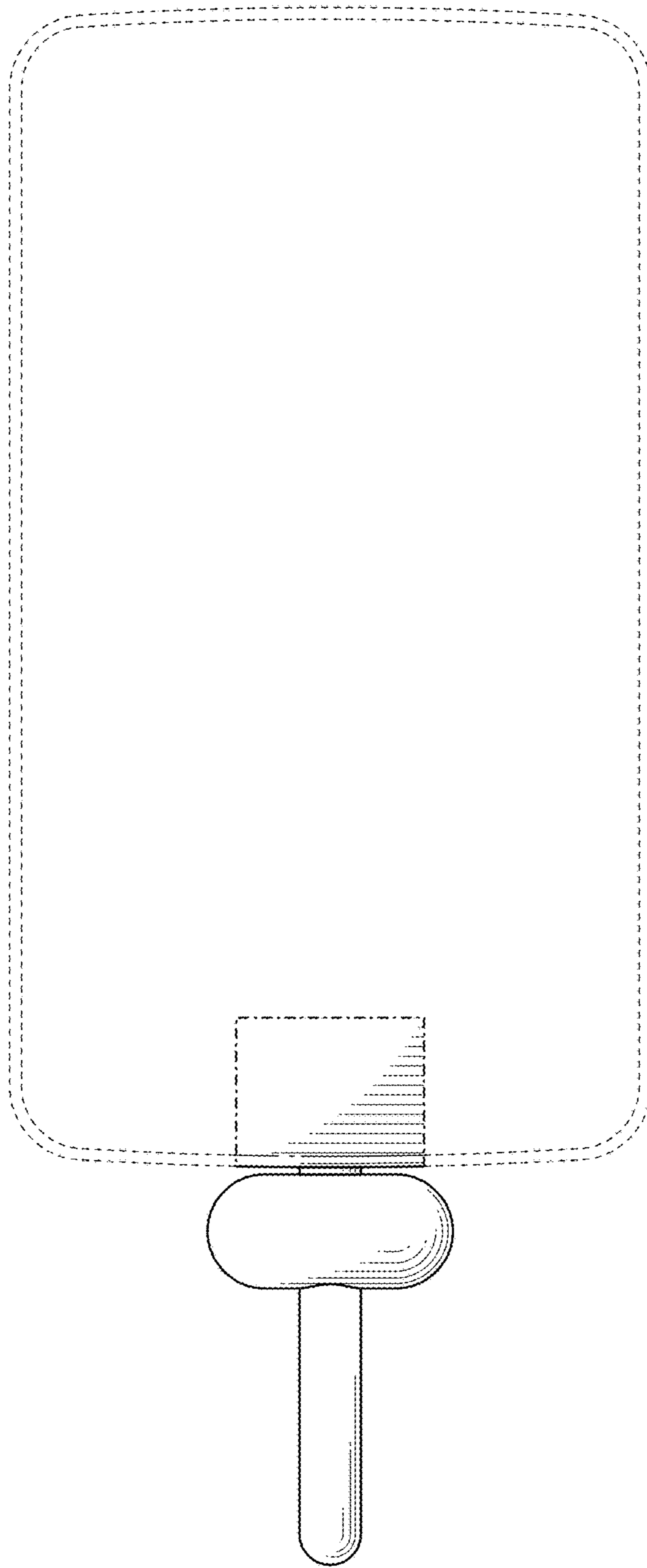


FIG. 2

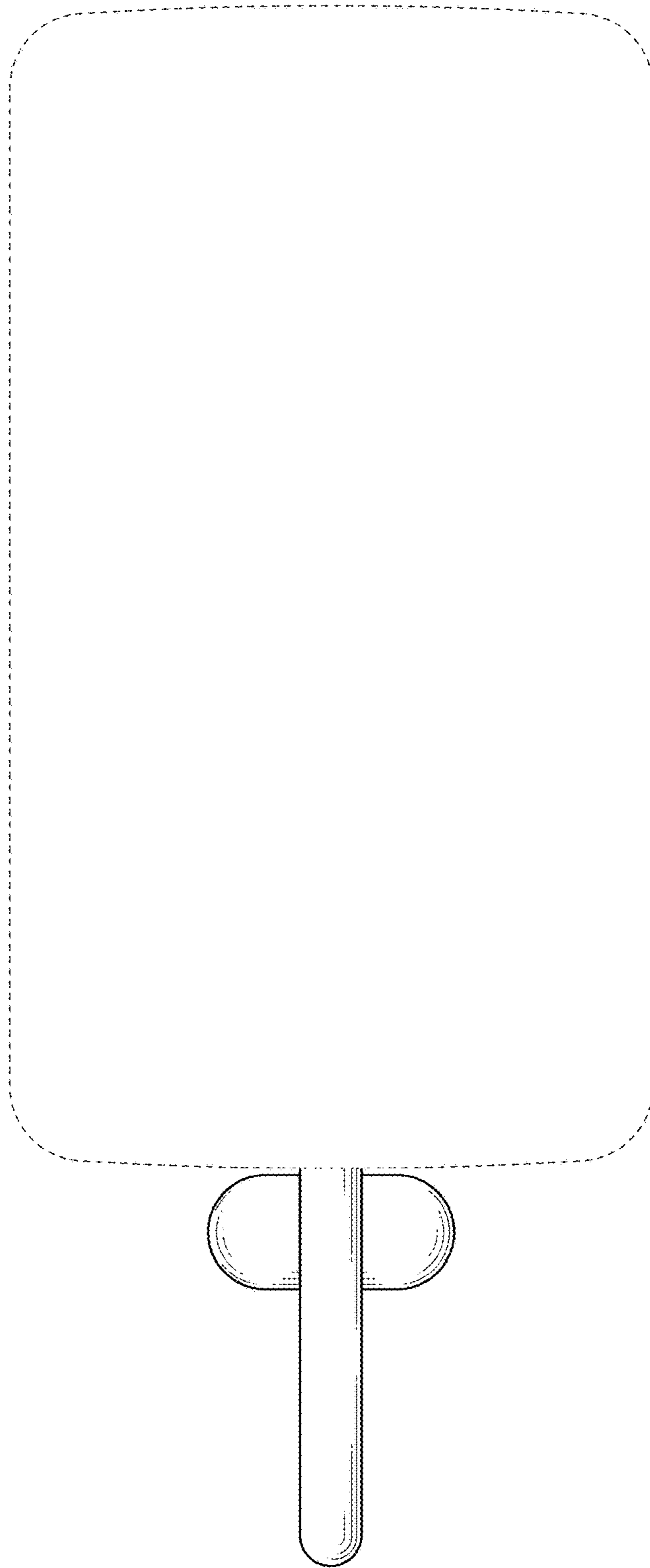


FIG. 3

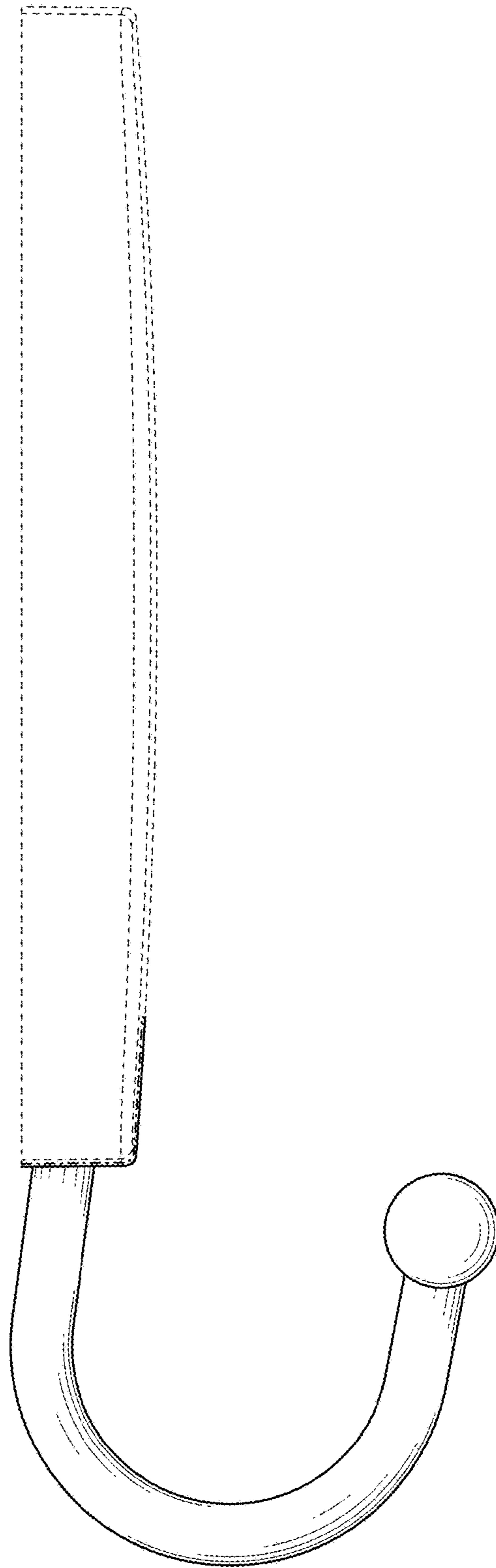


FIG. 4

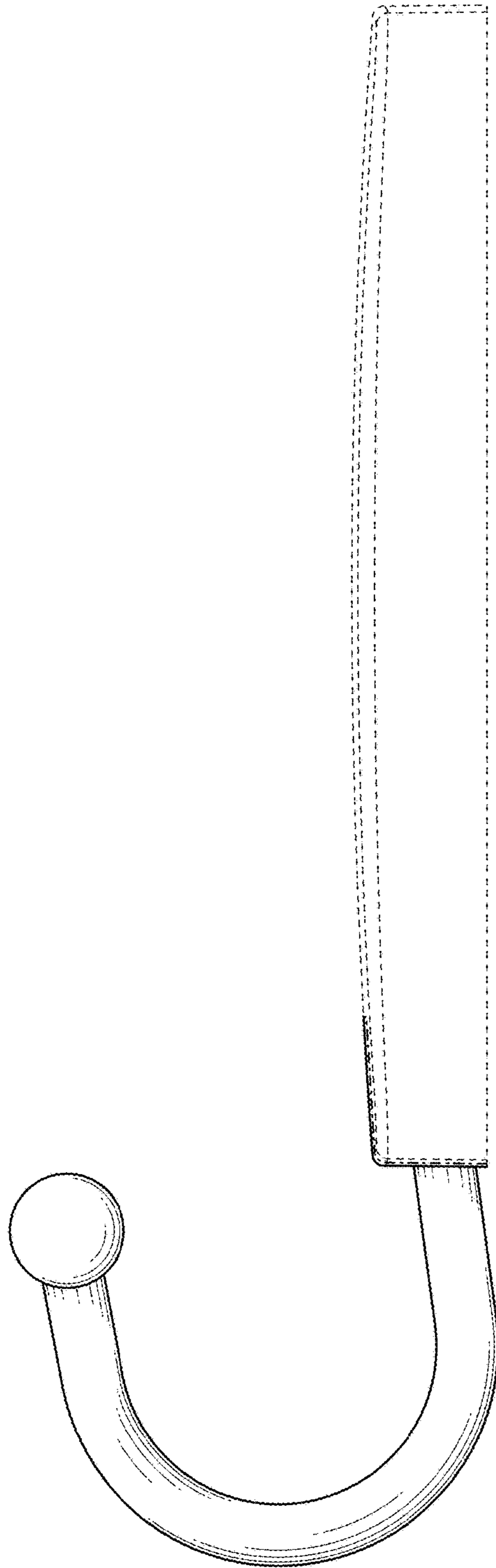


FIG. 5

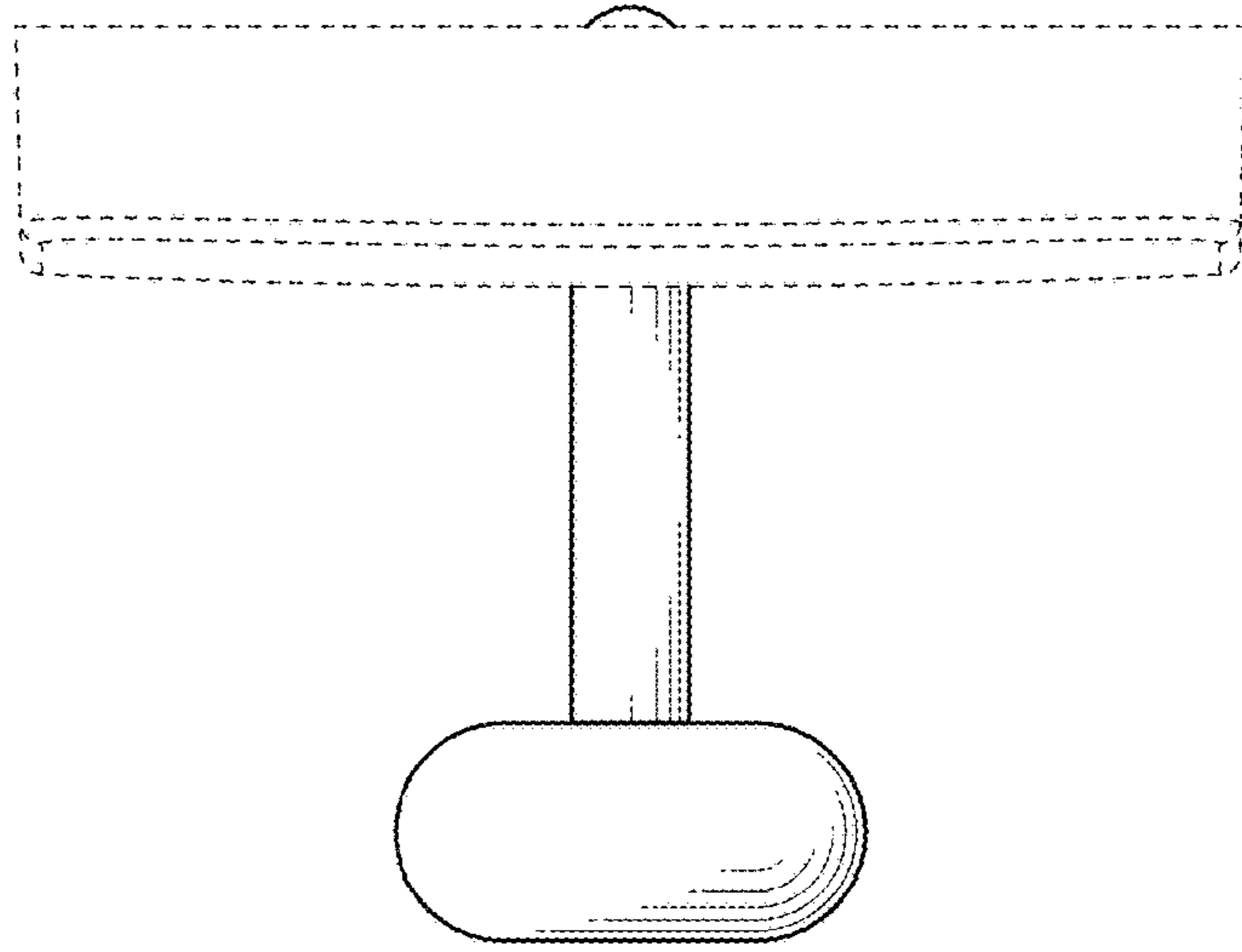


FIG. 6

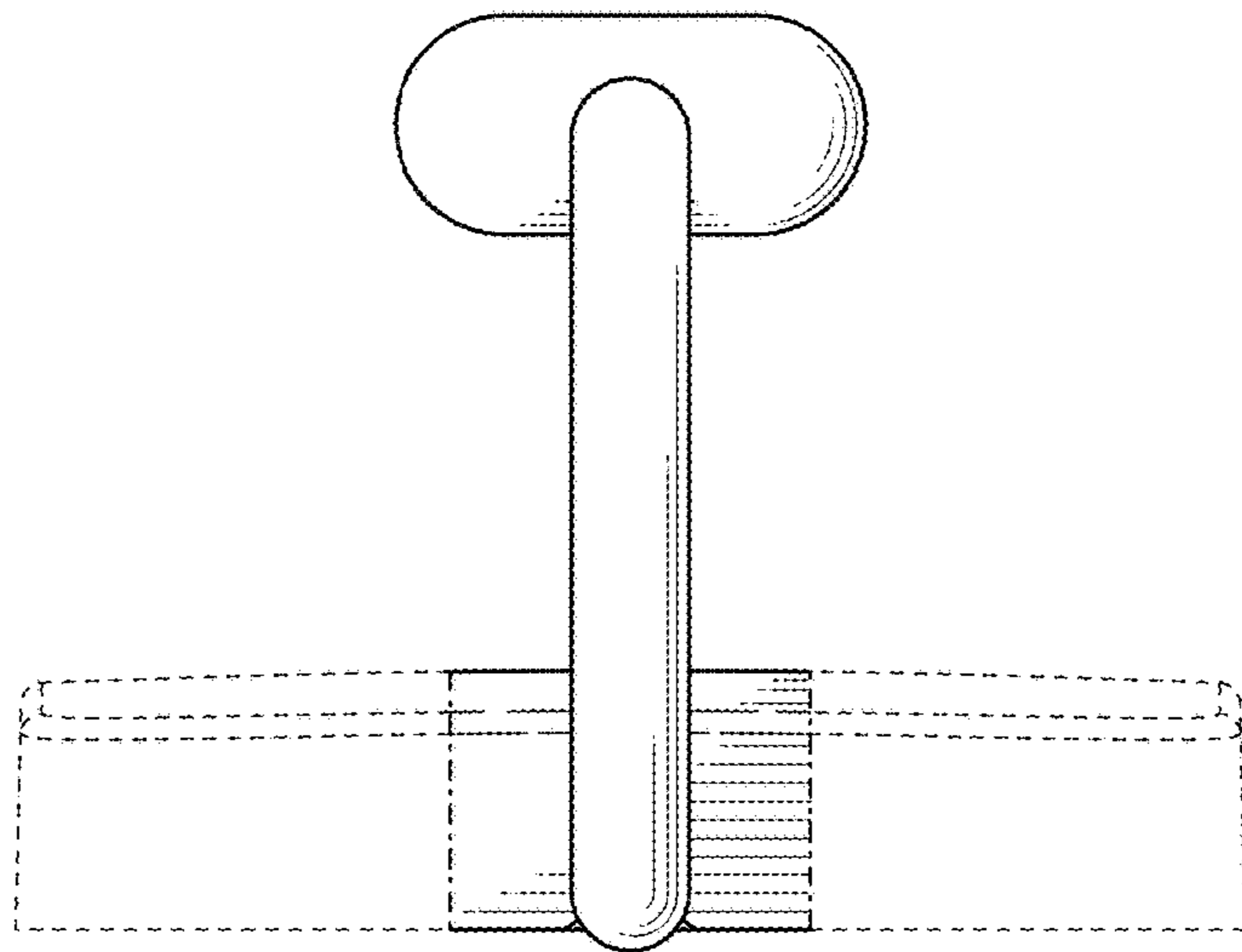


FIG. 7

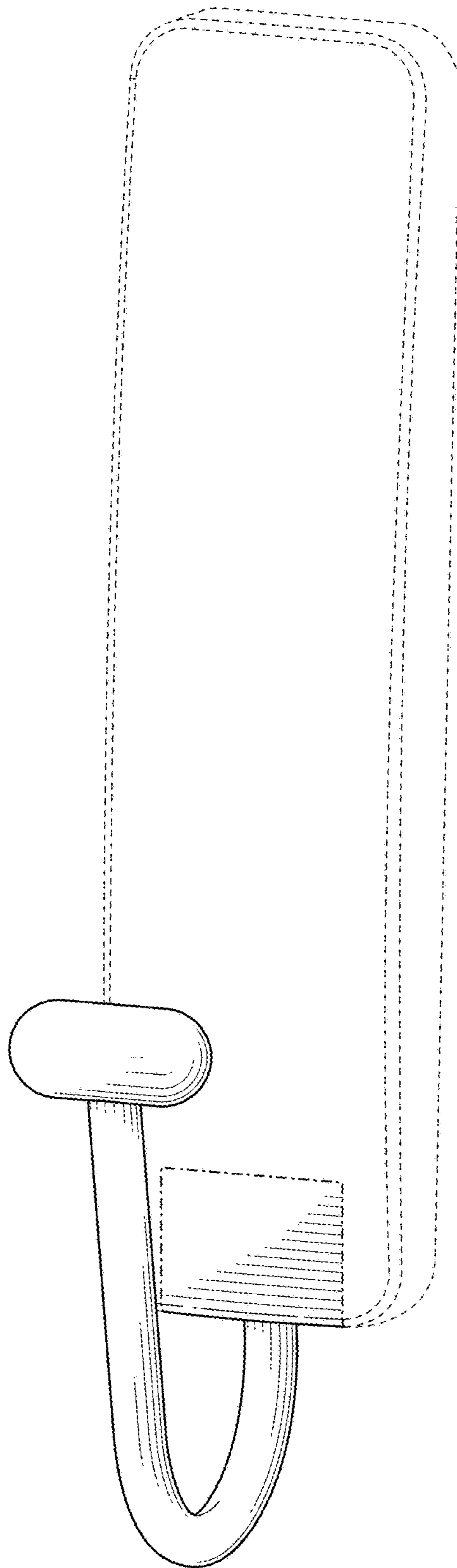


FIG. 8

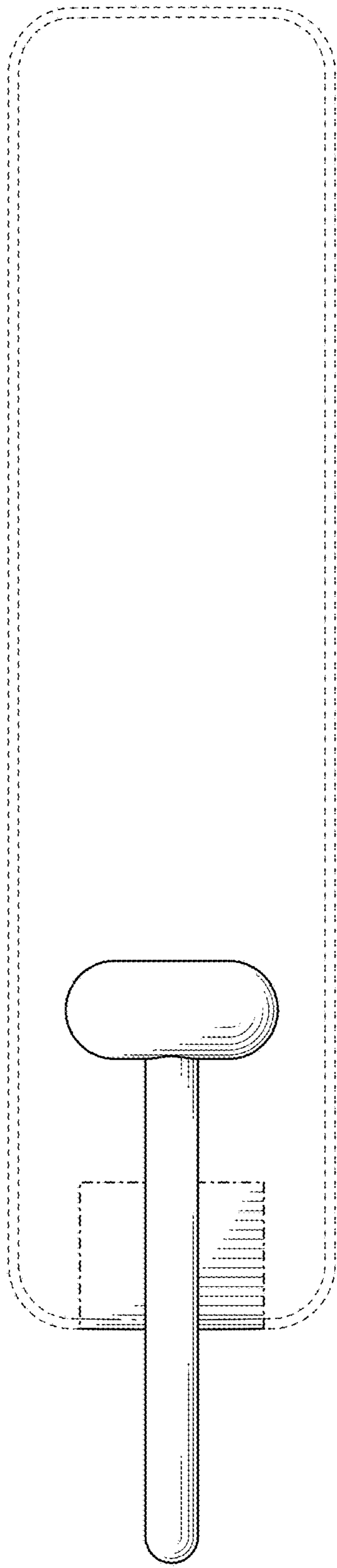


FIG. 9

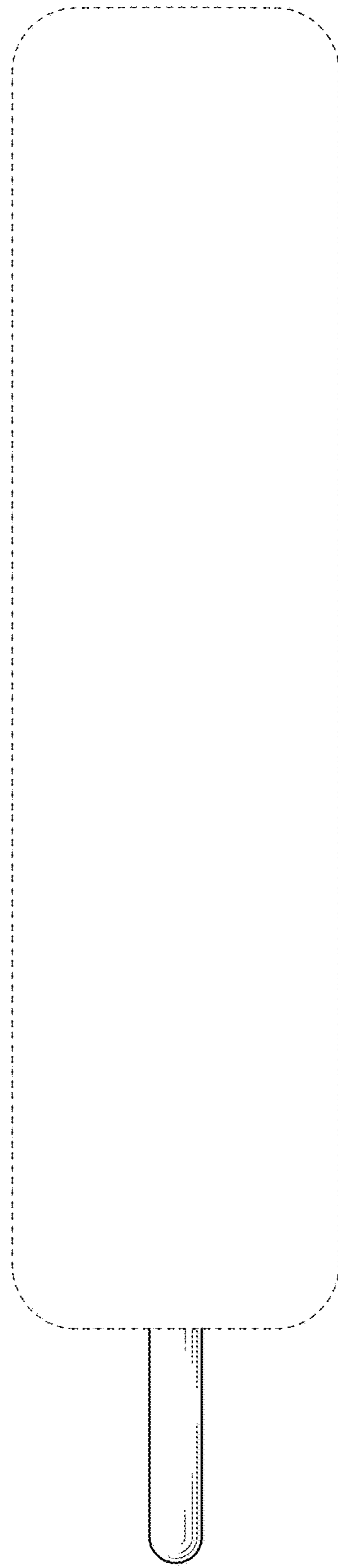


FIG. 10

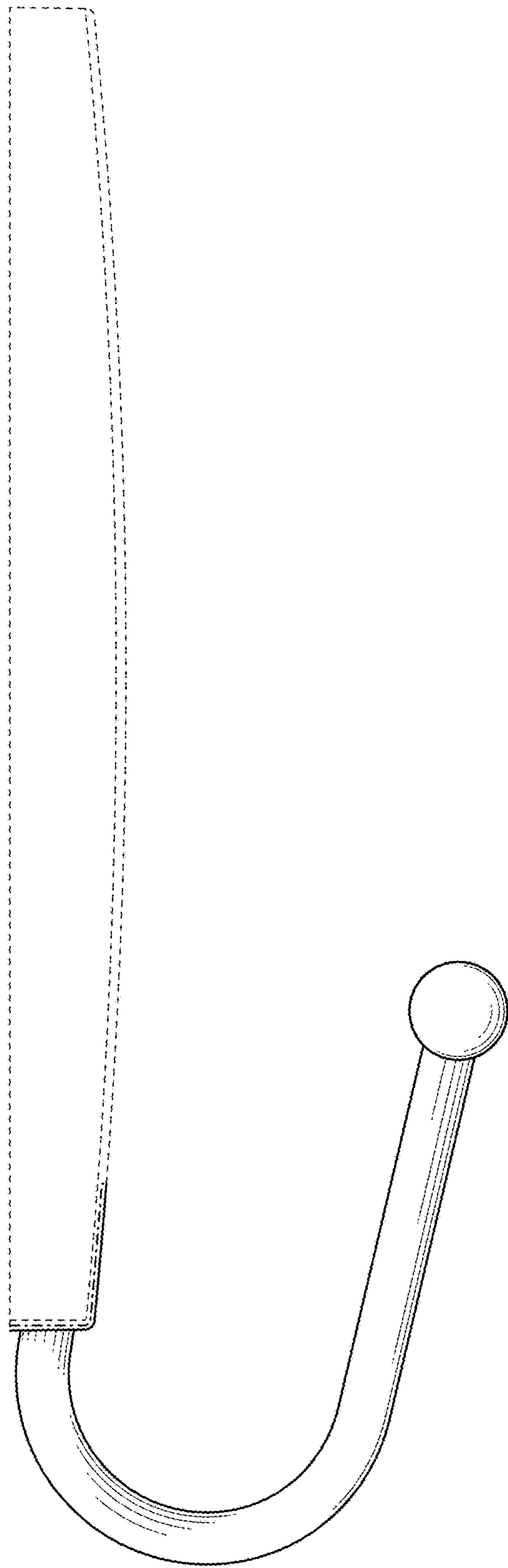


FIG. 11

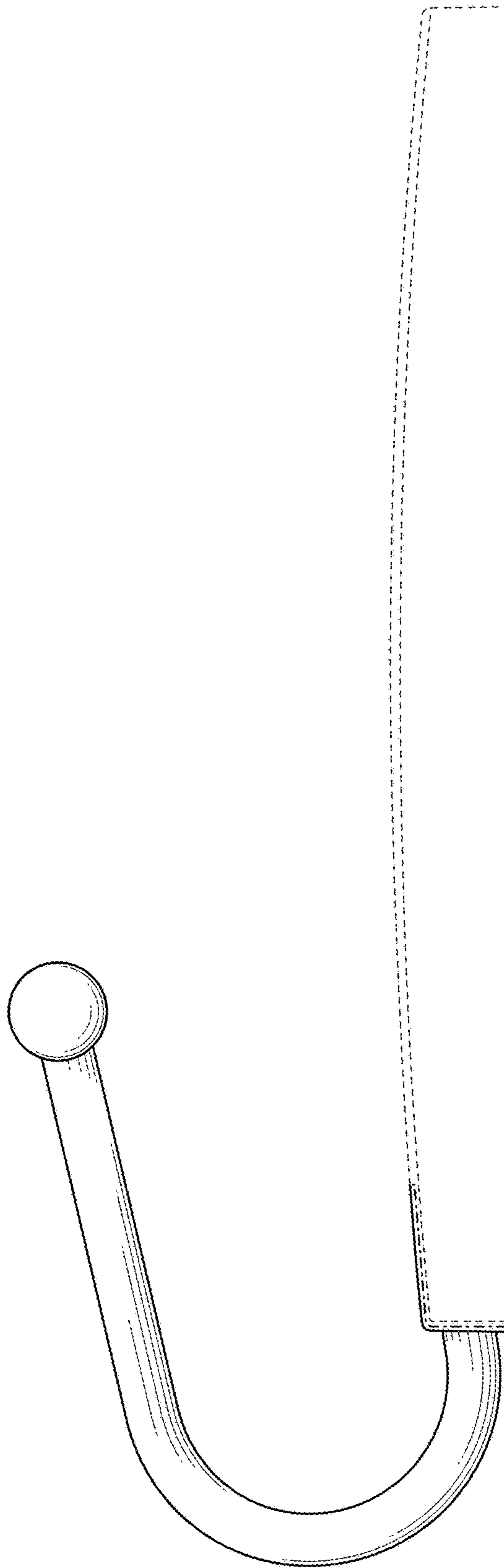


FIG. 12

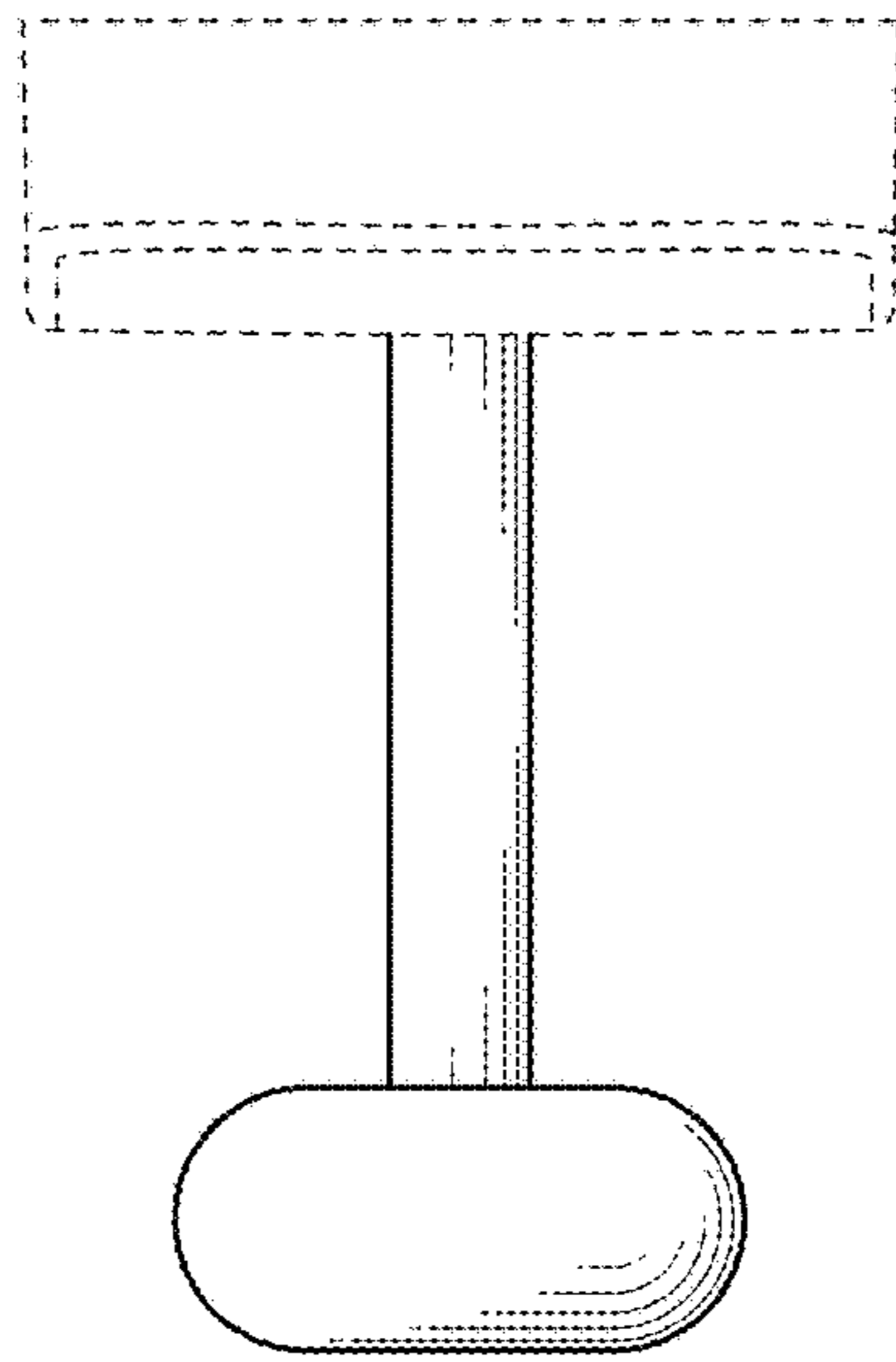


FIG. 13

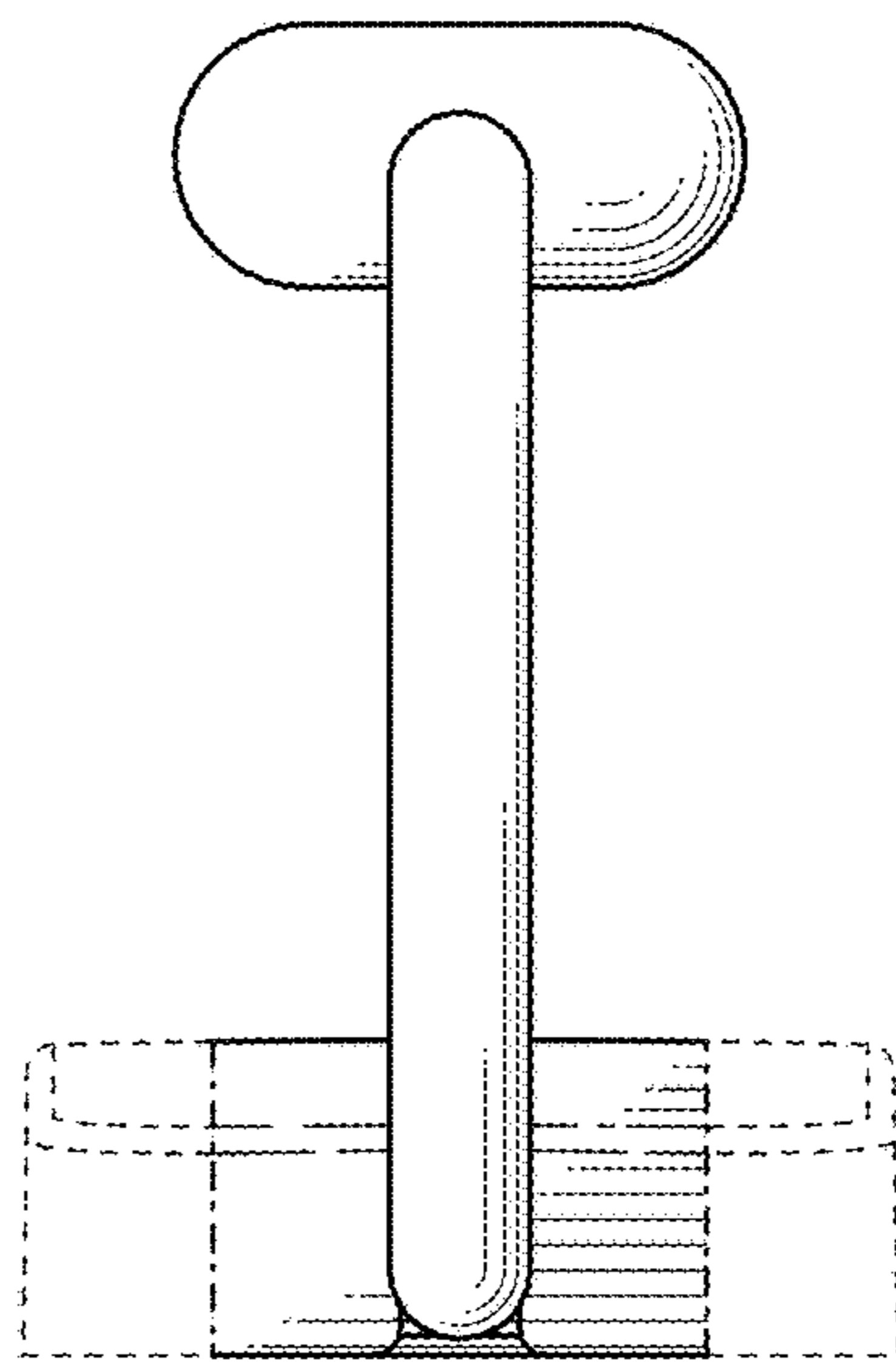


FIG. 14