



US00D817744S

(12) **United States Design Patent** (10) **Patent No.:** **US D817,744 S**
Atalla (45) **Date of Patent:** **** May 15, 2018**

(54) **CURVED HINGE HANGER WITH ELONGATED VERTICAL TUBE**
(71) Applicant: **HINGE HANGER LLC**, Reno, NV (US)
(72) Inventor: **Bill Atalla**, Reno, NV (US)
(**) Term: **15 Years**
(21) Appl. No.: **29/585,050**
(22) Filed: **Nov. 18, 2016**
(51) **LOC (11) Cl.** **08-05**
(52) **U.S. Cl.**
USPC **D8/367**
(58) **Field of Classification Search**
USPC D8/367, 354, 349
CPC A47G 25/0607; A47K 10/04; G09F 17/00
See application file for complete search history.

D702,540 S * 4/2014 Kacines D8/367
D734,134 S * 7/2015 Bauerle D8/372
D783,387 S * 4/2017 Wilson D8/356
D784,119 S * 4/2017 Brooks D8/367
2006/0016943 A1* 1/2006 Thompson A47J 33/00
248/175
2008/0272269 A1* 11/2008 Moravsky A45F 5/02
248/692

* cited by examiner

Primary Examiner — Cynthia Underwood
(74) *Attorney, Agent, or Firm* — Kerr IP Group, LLC

(56) **References Cited**

U.S. PATENT DOCUMENTS

D31,995 S * 12/1899 Alker D8/370
1,333,692 A * 3/1920 Severin A47G 25/0607
24/598.7
4,979,712 A * 12/1990 Rios A47K 10/04
248/215
D648,208 S * 11/2011 Platt D8/367
D661,574 S * 6/2012 Platt D8/367
D668,938 S * 10/2012 Morales D8/367
8,387,292 B1 * 3/2013 Rasmus G09F 17/00
116/173

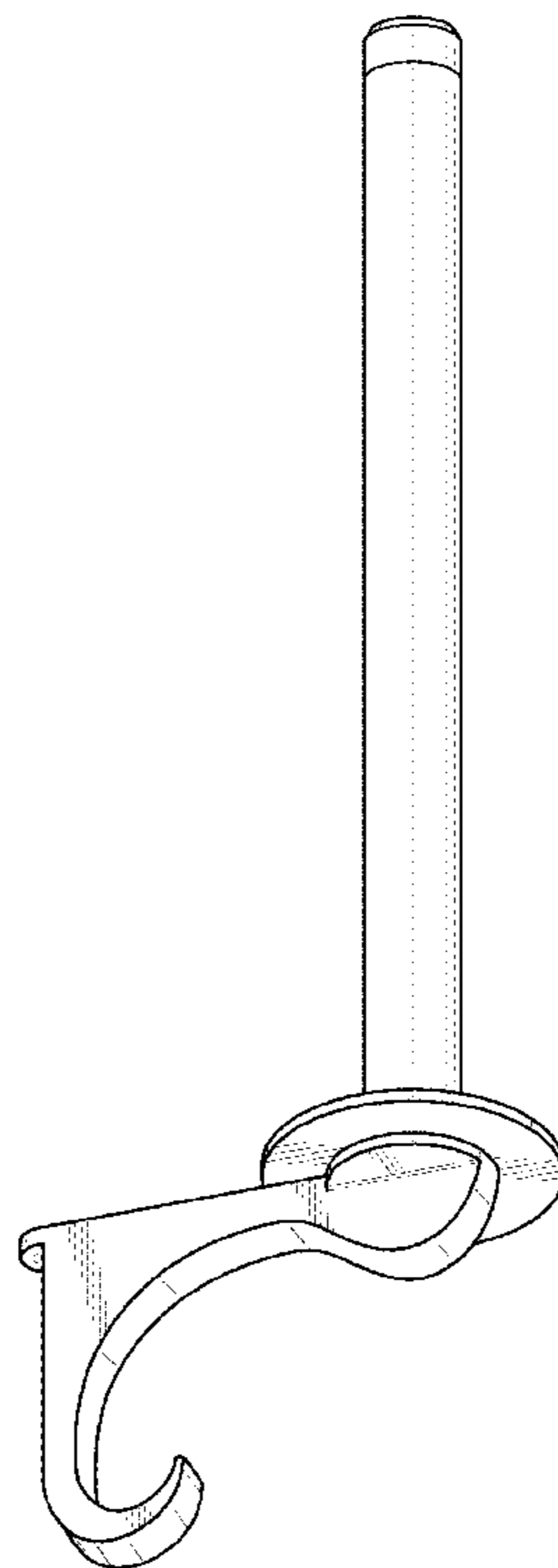
(57) **CLAIM**

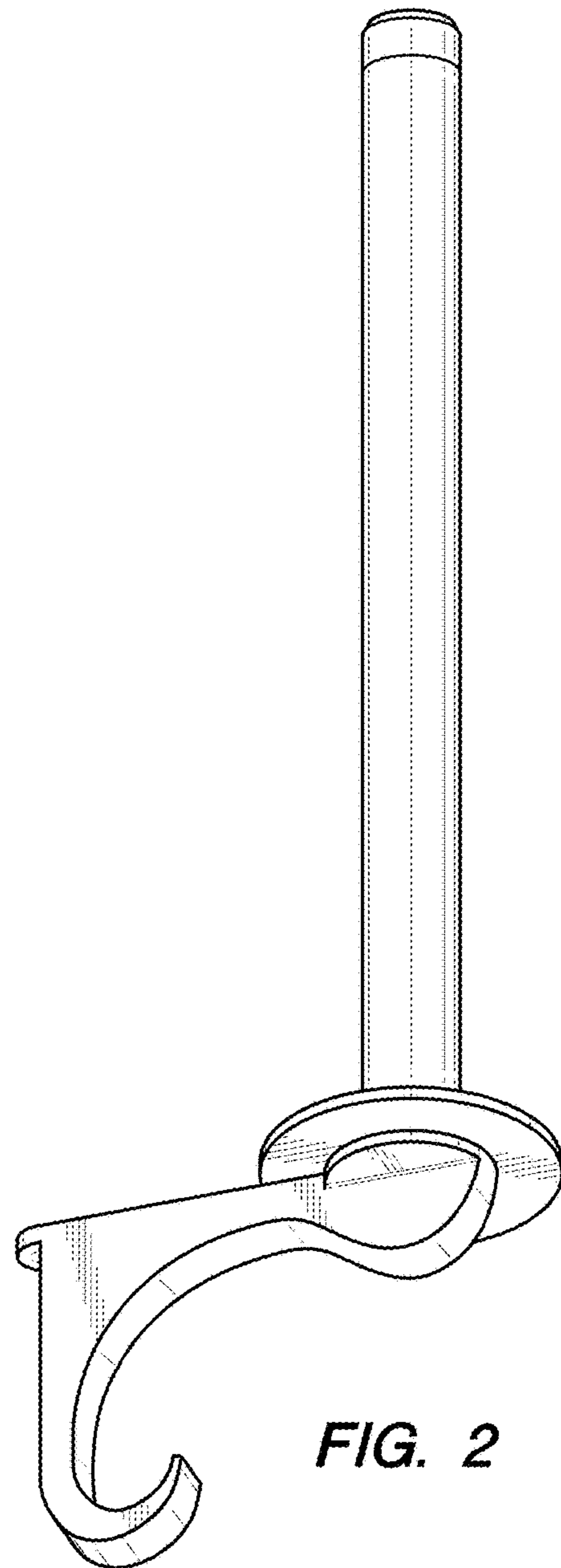
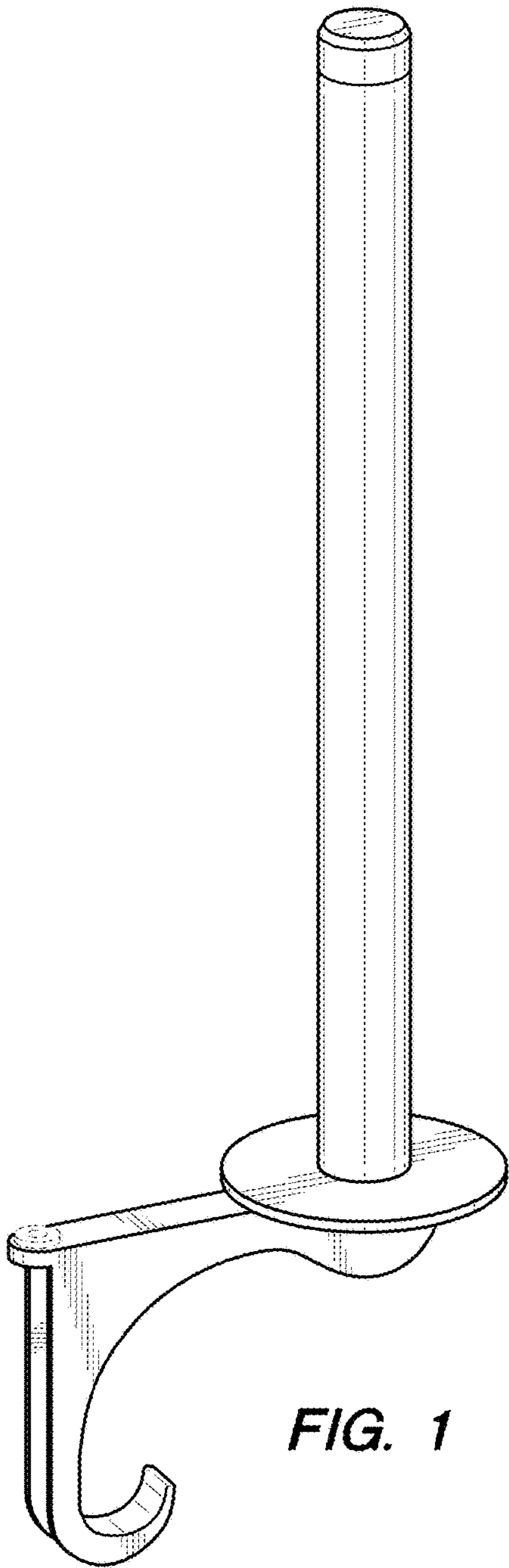
I claim the ornamental design for a curved hinge hanger with an elongated vertical tube, as shown and described.

DESCRIPTION

FIG. 1 is an isometric top view of a curved hinge hanger with an elongated vertical tube, showing my new design; FIG. 2 is an isometric bottom view thereof; FIG. 3 is a front elevation view thereof; FIG. 4 is a left elevation view (at 90° from the front view) thereof; FIG. 5 is a back elevation view thereof; FIG. 6 is a bottom view thereof; and, FIG. 7 is a top view thereof.
The broken lines shown represent unclaimed subject matter and form no part of the claimed design.

1 Claim, 3 Drawing Sheets





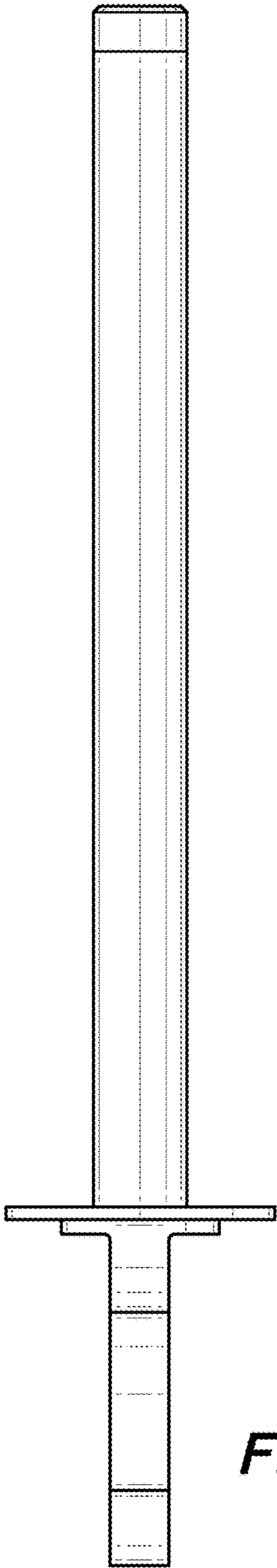


FIG. 3

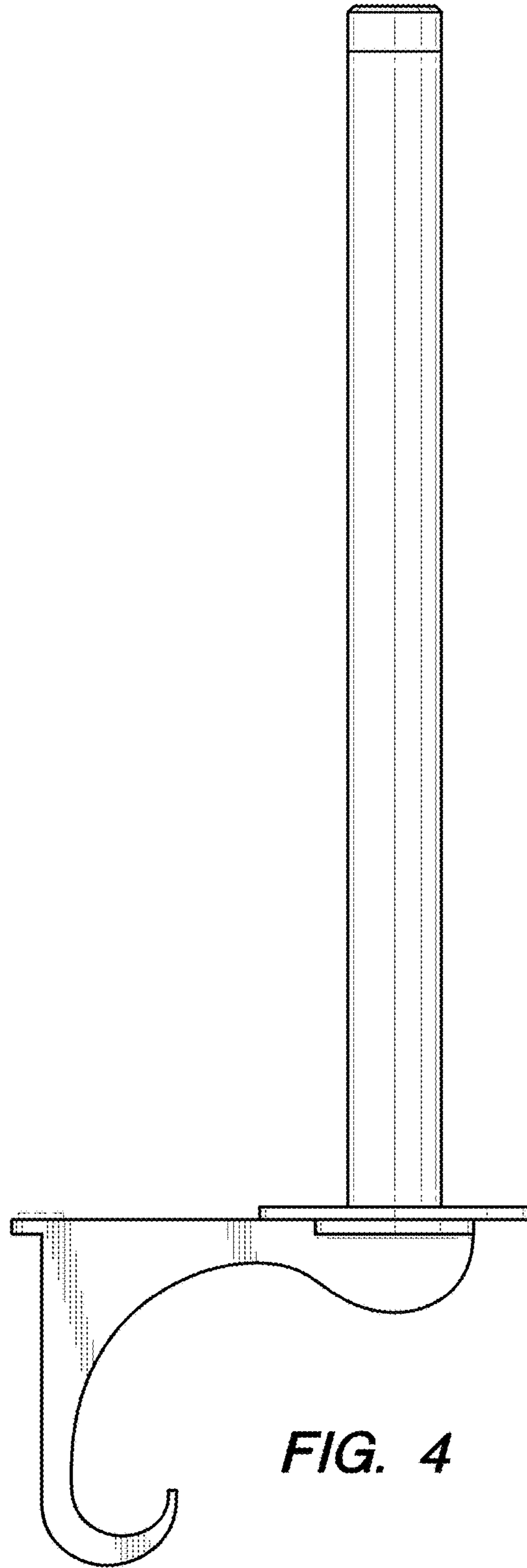


FIG. 4

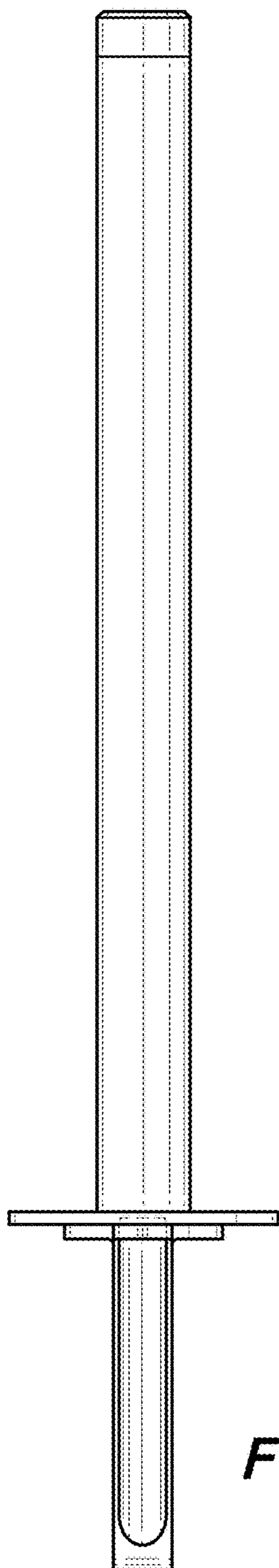


FIG. 5

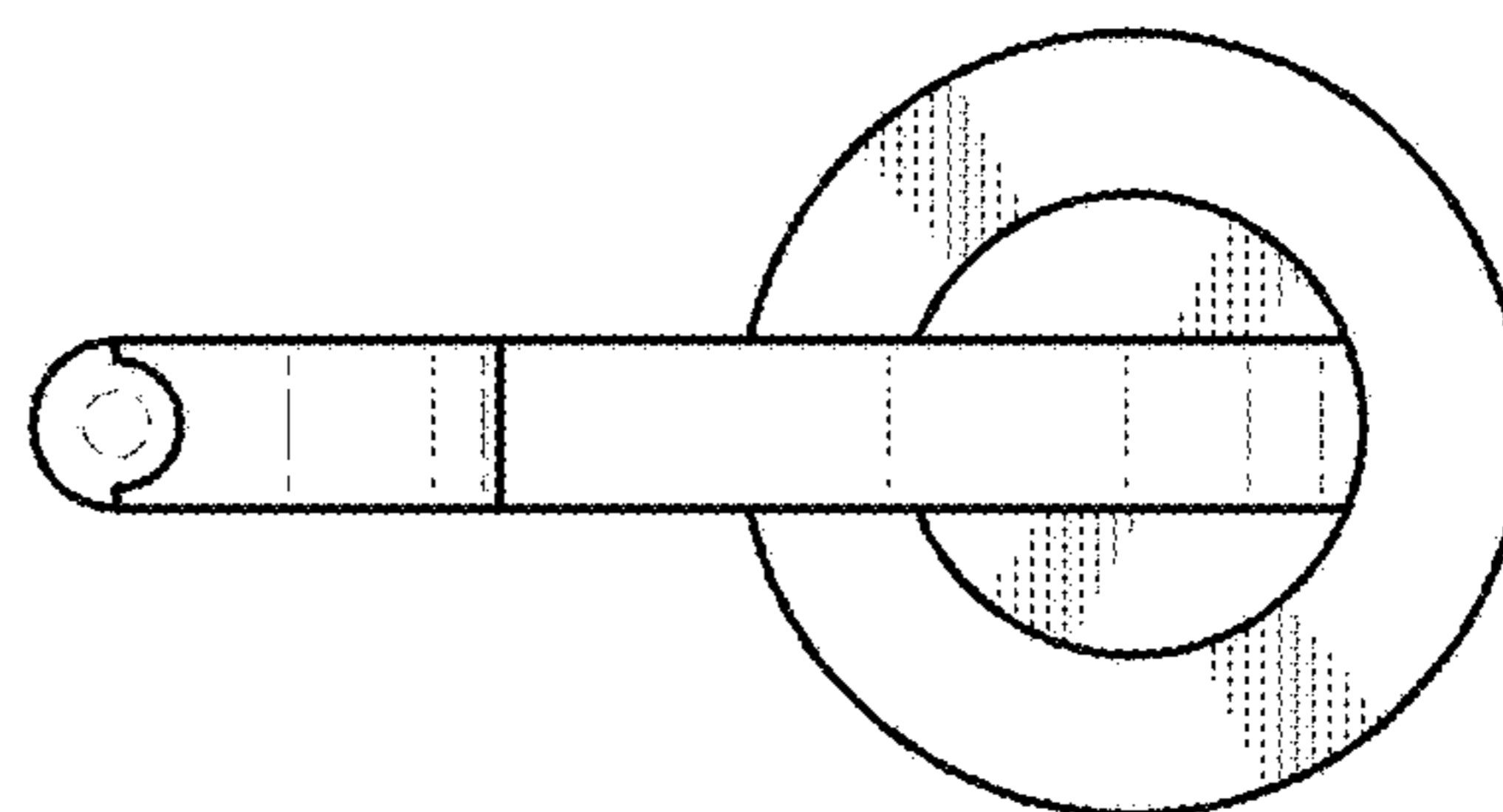


FIG. 6

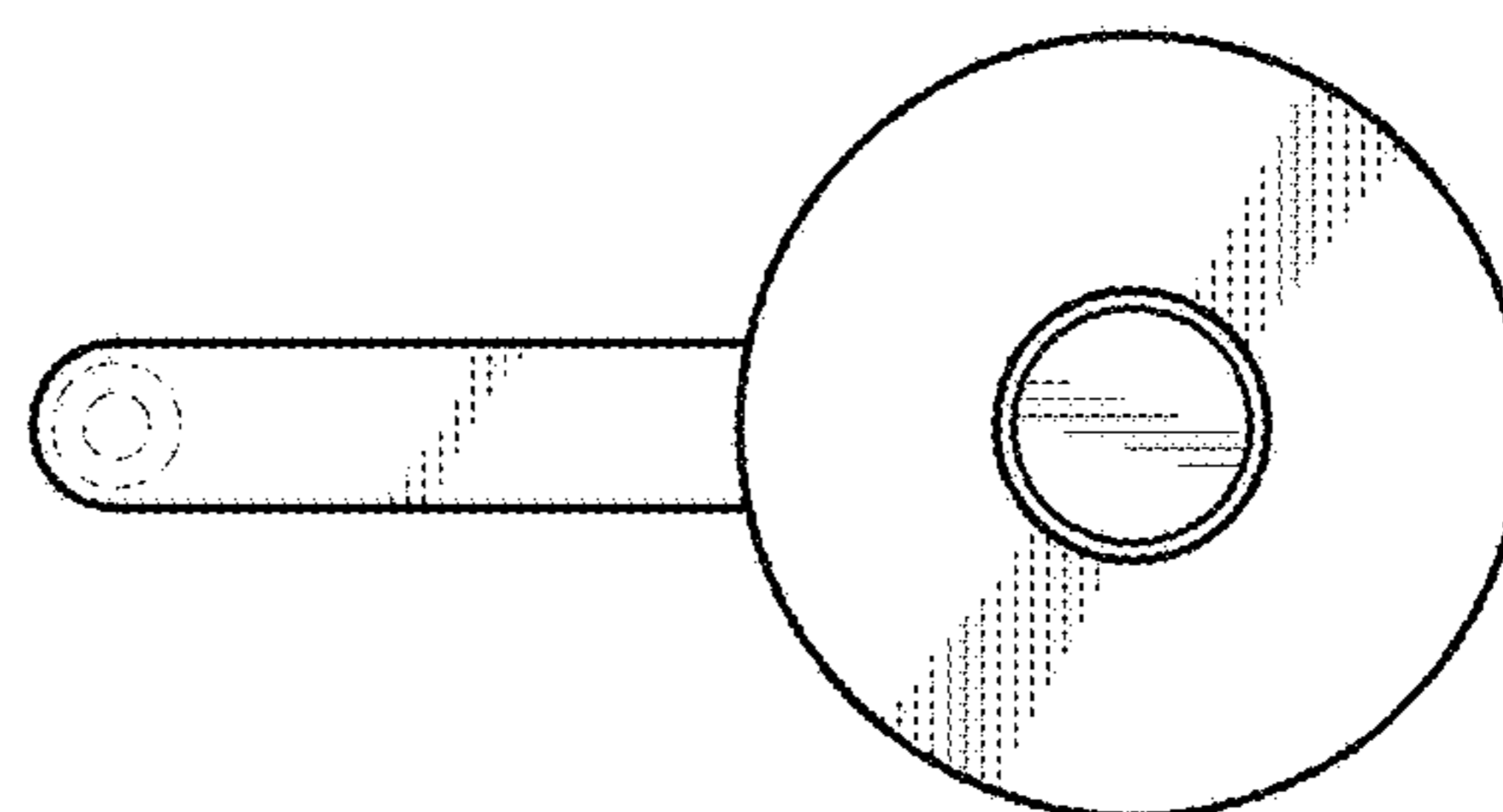


FIG. 7