

US00D817743S

(12) **United States Design Patent** (10) **Patent No.:** **US D817,743 S**
VanDeusen (45) **Date of Patent:** **** May 15, 2018**

- (54) **REMOVABLE SHIM**
- (71) Applicant: **Eaton Corporation**, Cleveland, OH (US)
- (72) Inventor: **Brian Karl VanDeusen**, Augusta, MI (US)
- (73) Assignee: **Eaton Corporation**, Cleveland, OH (US)
- (**) Term: **15 Years**
- (21) Appl. No.: **29/561,803**
- (22) Filed: **Apr. 20, 2016**

D423,909	S	5/2000	Hartin	
D438,436	S *	3/2001	Carter, Jr.	D8/16
6,415,755	B1	7/2002	McCarthy	
D482,599	S	11/2003	May et al.	
6,830,086	B2	12/2004	Smith et al.	
D508,841	S	8/2005	Jordan	
7,055,655	B2	6/2006	Takizawa et al.	
7,096,836	B2	8/2006	Curtis	
D563,770	S	3/2008	Payne	
D566,518	S *	4/2008	Friedman	D8/323
D569,241	S *	5/2008	O'Neill	D8/395
D592,508	S *	5/2009	Perignon	D9/434
D611,333	S *	3/2010	Sanders	D8/394
7,685,984	B2	3/2010	Hendriksma et al.	
D616,287	S *	5/2010	Lavoie	D8/354
D639,653	S *	6/2011	Kanda	D9/434
D672,625	S *	12/2012	Serret	D8/17
D673,844	S *	1/2013	Wall	D8/380
8,534,250	B2	9/2013	Meldolesi et al.	
D756,201	S *	5/2016	VanDeusen	D15/5

(Continued)

Related U.S. Application Data

- (63) Continuation of application No. 29/507,008, filed on Oct. 23, 2014, now Pat. No. Des. 756,201.
- (51) **LOC (11) Cl.** **08-05**
- (52) **U.S. Cl.**
USPC **D8/354; D15/5**
- (58) **Field of Classification Search**
USPC D8/349, 354-355, 373, 380, 382-383, D8/394, 396; D15/5
CPC B60G 2204/4402; F16B 43/005; Y10T 403/7047; Y10T 74/2063
See application file for complete search history.

Primary Examiner — Rosemary K Tarcza
Assistant Examiner — Nathaniel D. Buckner
(74) *Attorney, Agent, or Firm* — RMCK Law Group PLC

(57) **CLAIM**

The ornamental design for a removable shim, as shown and described.

DESCRIPTION

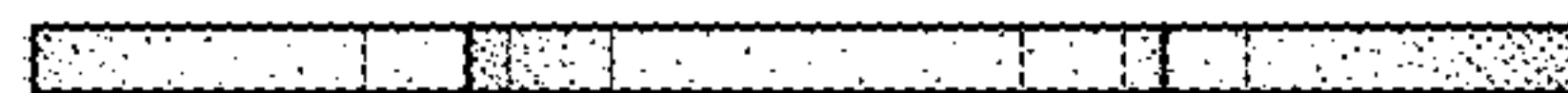
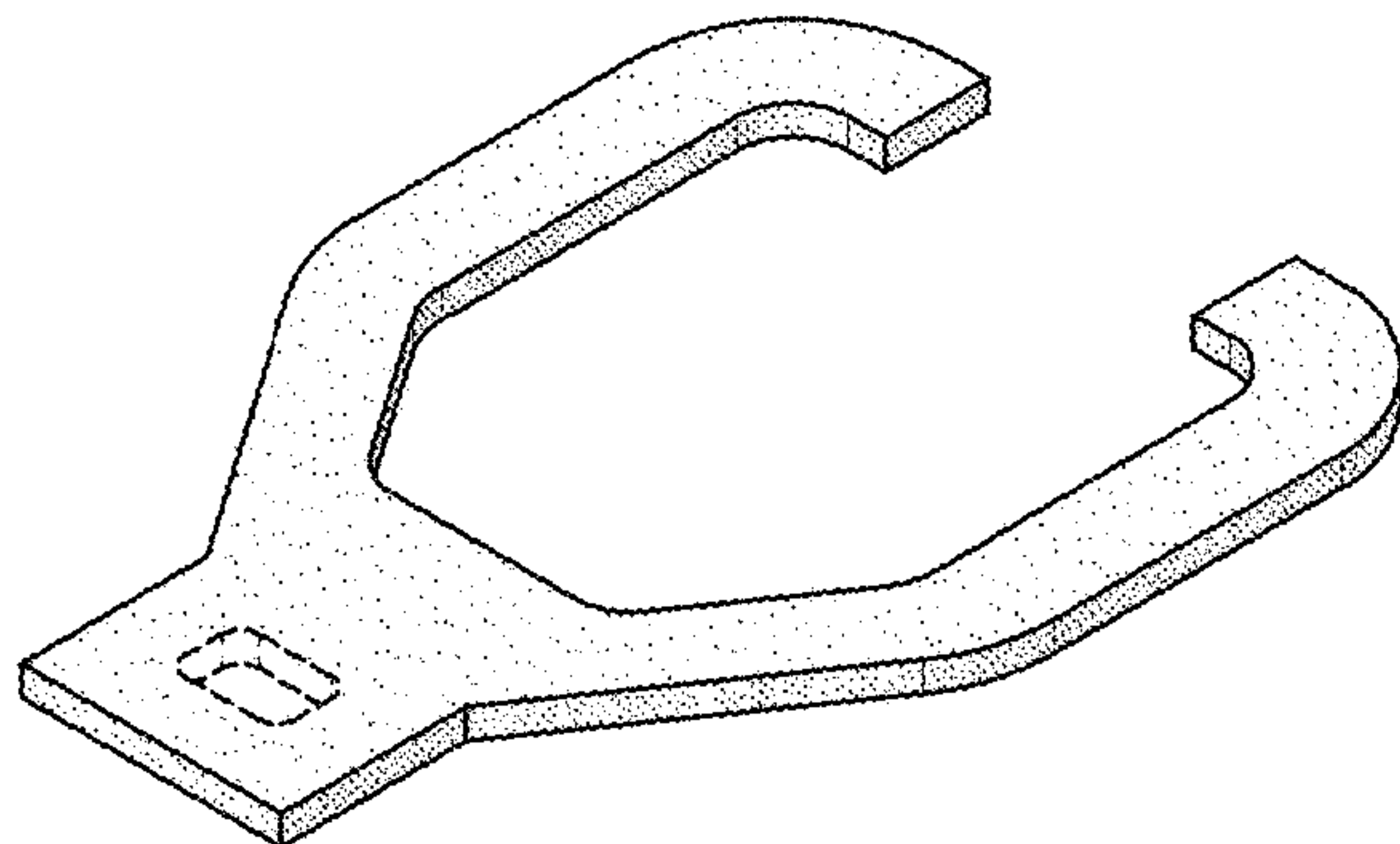
FIG. 1 is a front perspective view of a removable shim showing my new design.
FIG. 2 is a top view thereof;
FIG. 3 is a bottom view thereof;
FIG. 4 is a back side view thereof;
FIG. 5 is a front side view thereof;
FIG. 6 is a right side view thereof; and,
FIG. 7 is a left side view thereof.
The broken lines in the figures represent portions of the article which form no part of the claimed design.

1 Claim, 1 Drawing Sheet

(56) **References Cited**

U.S. PATENT DOCUMENTS

D272,231	S *	1/1984	Black, Jr.	D8/349
4,683,923	A	8/1987	Harris	
D298,212	S	10/1988	Gross	
D313,739	S	1/1991	Preston	
5,077,850	A *	1/1992	Brubaker	A44B 15/005 224/163
D325,564	S	4/1992	Lemke	
D417,390	S *	12/1999	Hofman	D8/395



(56)

References Cited

U.S. PATENT DOCUMENTS

D789,565 S * 6/2017 Lopez D25/199
D805,192 S * 12/2017 Mahood D24/127
2002/0185622 A1 12/2002 Bruns

* cited by examiner

FIG.1

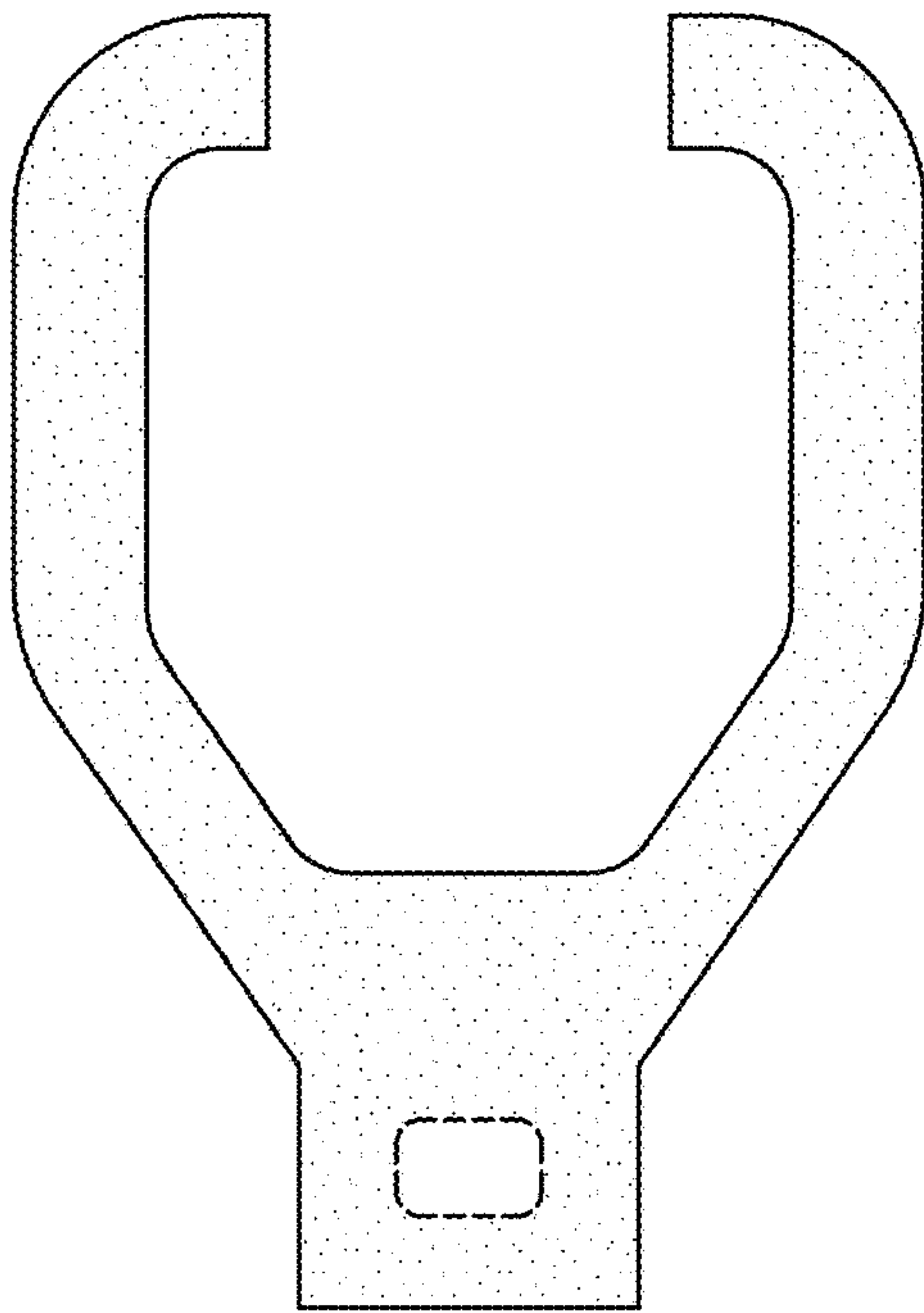
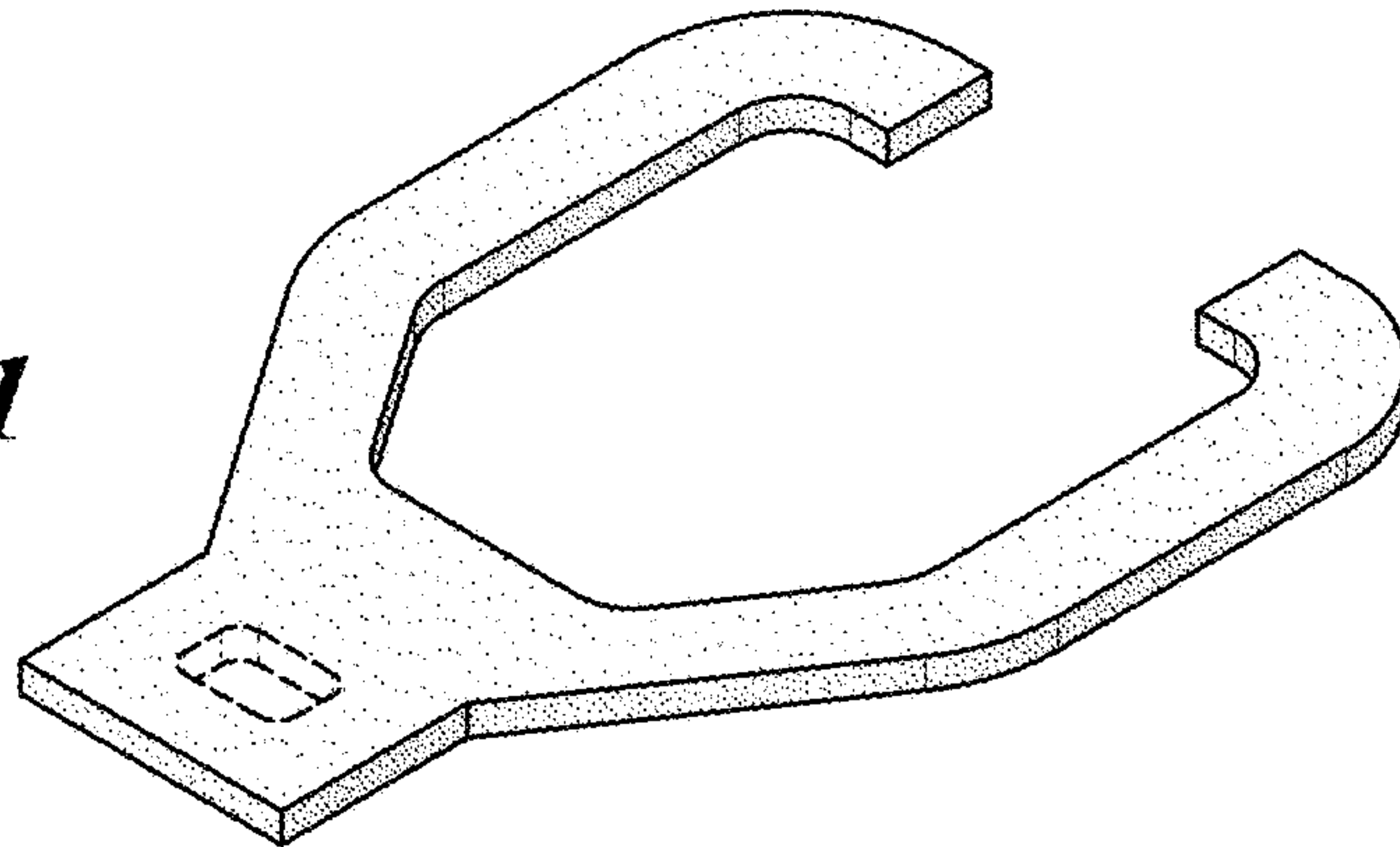


FIG.2

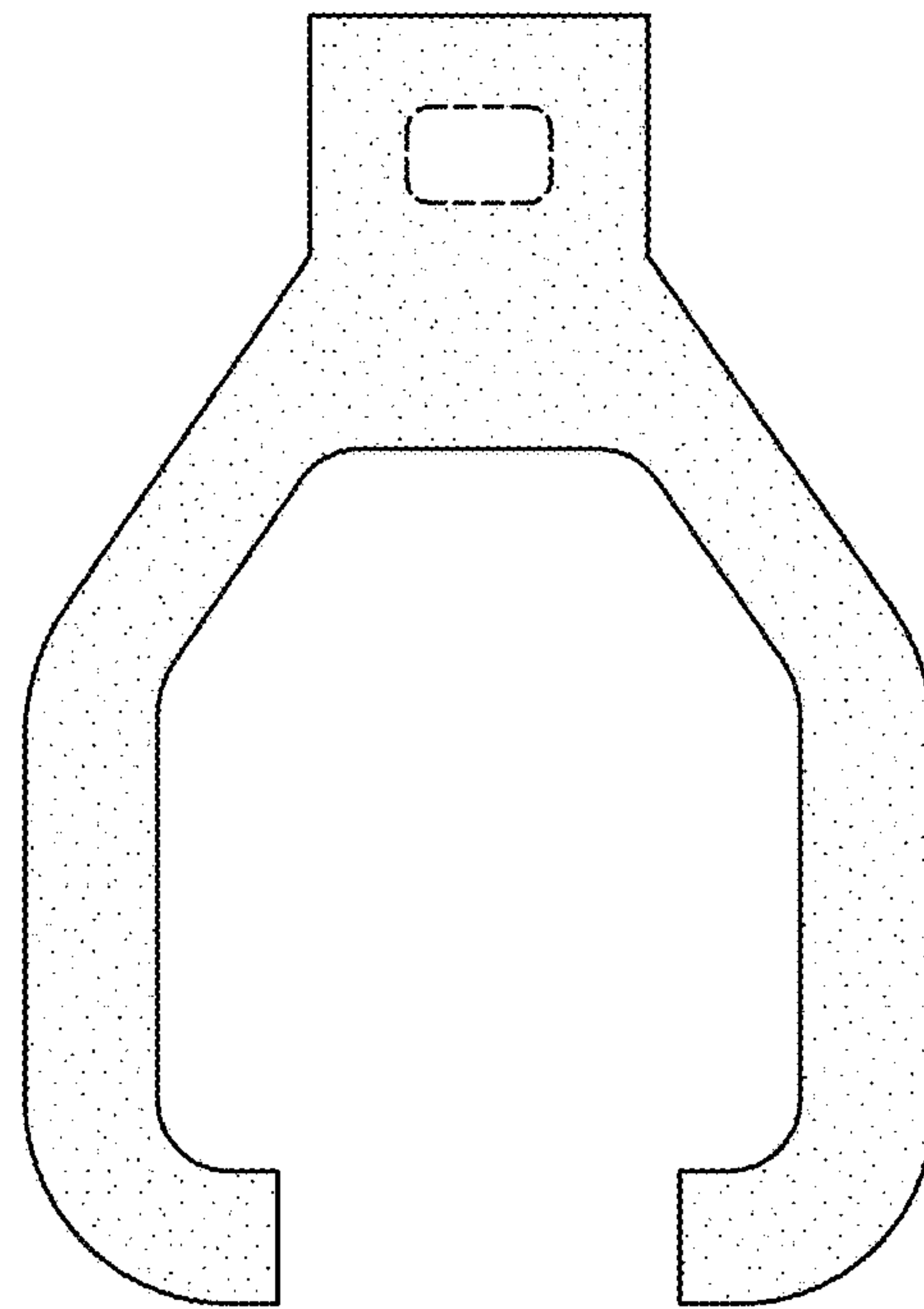


FIG.3

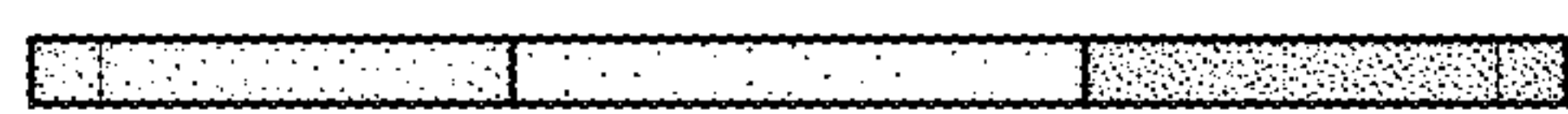


FIG.4

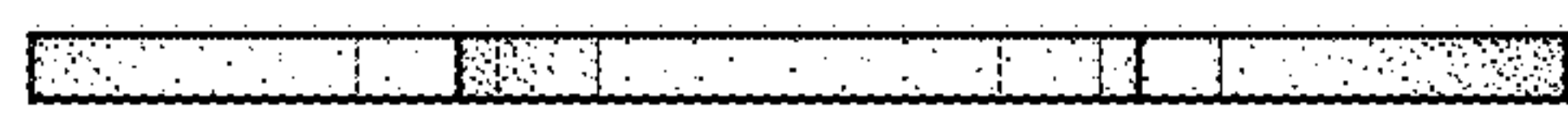


FIG.5

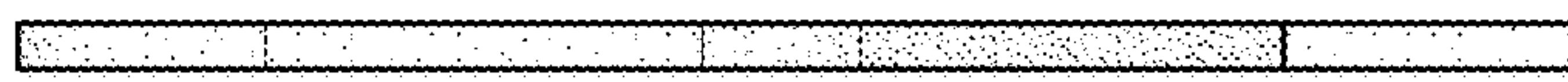


FIG.6

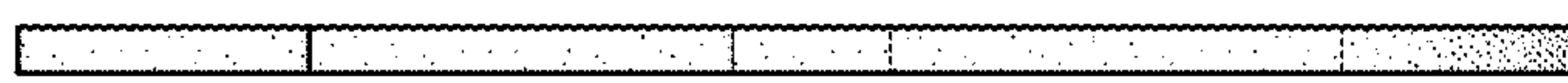


FIG.7