



US00D817742S

(12) **United States Design Patent** (10) **Patent No.:** **US D817,742 S**
Sarnowski (45) **Date of Patent:** **** May 15, 2018**

(54) **BASE FOR OUTRIGGER MOUNT**
 (71) Applicant: **GEM Products, Inc.**, Orange Park, FL (US)
 (72) Inventor: **Jason Sarnowski**, Jacksonville, FL (US)
 (73) Assignee: **Gem Products, Inc.**, Orange Park, FL (US)

2007/0220800 A1* 9/2007 Baez A01K 91/08 43/27.4
 2007/0240358 A1* 10/2007 Follmar A01K 97/10 43/21.2
 2008/0105814 A1* 5/2008 Slatter A01K 91/08 248/521
 2011/0083355 A1* 4/2011 Wilcox A01K 91/08 43/27.4
 2011/0083357 A1* 4/2011 Blondek A01K 91/08 43/27.4

(**) Term: **15 Years**
 (21) Appl. No.: **29/604,573**

(Continued)
Primary Examiner — Mark Goodwin
 (74) *Attorney, Agent, or Firm* — Seyfarth Shaw LLP

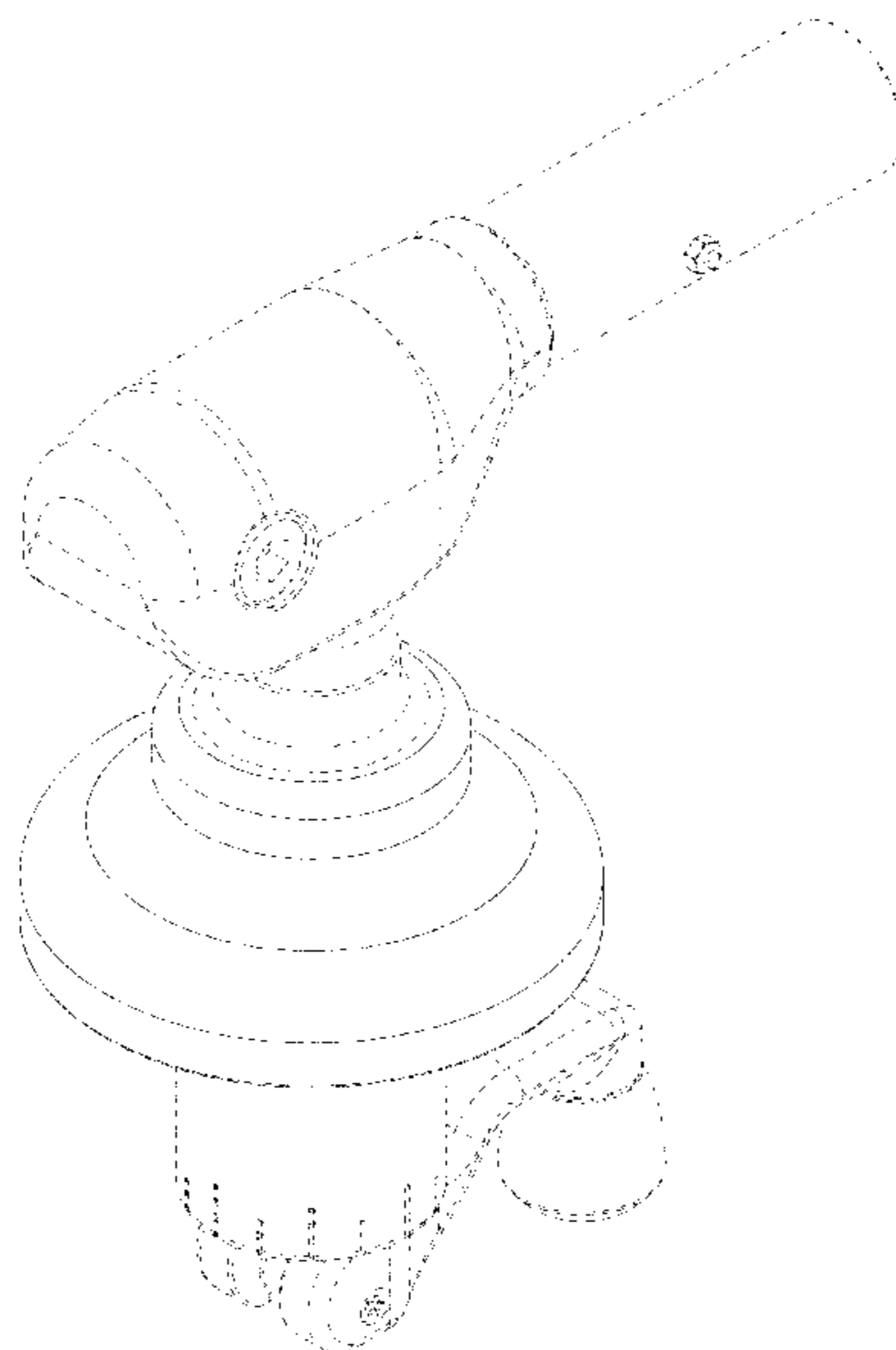
(22) Filed: **May 18, 2017**
 (51) **LOC (11) Cl.** **08-05**
 (52) **U.S. Cl.**
 USPC **D8/349**
 (58) **Field of Classification Search**
 USPC D8/349, 354; D12/317, 400, 223; 43/21.2; 248/534
 CPC F16M 13/02; B63B 17/00; A01K 97/10
 See application file for complete search history.

(57) **CLAIM**
 The ornamental design for the base for outrigger mount, as shown and described.

(56) **References Cited**
 U.S. PATENT DOCUMENTS
 3,889,908 A * 6/1975 Larson A01K 97/10 248/278.1
 D426,140 S * 6/2000 Ming-Hsiao D8/349
 D465,988 S * 11/2002 Green D8/349
 7,669,361 B2 * 3/2010 Baez A01K 91/08 114/255
 8,186,095 B2 * 5/2012 Wilcox A01K 91/08 114/255
 9,625,087 B2 * 4/2017 Sarnowski F16M 13/02
 2004/0035350 A1 * 2/2004 Rupp, II B63B 35/14 114/364
 2004/0206288 A1 * 10/2004 Wilcox B63B 17/02 114/255

DESCRIPTION
 FIG. 1 is a first perspective view of an embodiment of a base of an outrigger mount;
 FIG. 2 is a second perspective view of the base of the outrigger mount;
 FIG. 3 is a third perspective view of the base of the outrigger mount;
 FIG. 4 is a fourth perspective view of the base of the outrigger mount;
 FIG. 5 is a rear view of the base of the outrigger mount;
 FIG. 6 is a front view of the base of the outrigger mount;
 FIG. 7 is first side view of the base of the outrigger mount;
 FIG. 8 is a second side view of the base of the outrigger mount;
 FIG. 9 is a top view of the base of the outrigger mount; and,
 FIG. 10 is a bottom view of the base of the outrigger mount.
 Any components in the appended drawings shown in broken lines are for illustrative purposes only and form no part of the claimed design or a specified embodiment thereof.

1 Claim, 10 Drawing Sheets



(56)

References Cited

U.S. PATENT DOCUMENTS

2013/0068913 A1* 3/2013 Bouissiere F16M 13/02
248/493
2013/0333271 A1* 12/2013 Rupp A01K 91/08
43/27.4
2015/0000177 A1* 1/2015 Liney A01K 97/10
43/21.2

* cited by examiner

FIG. 1

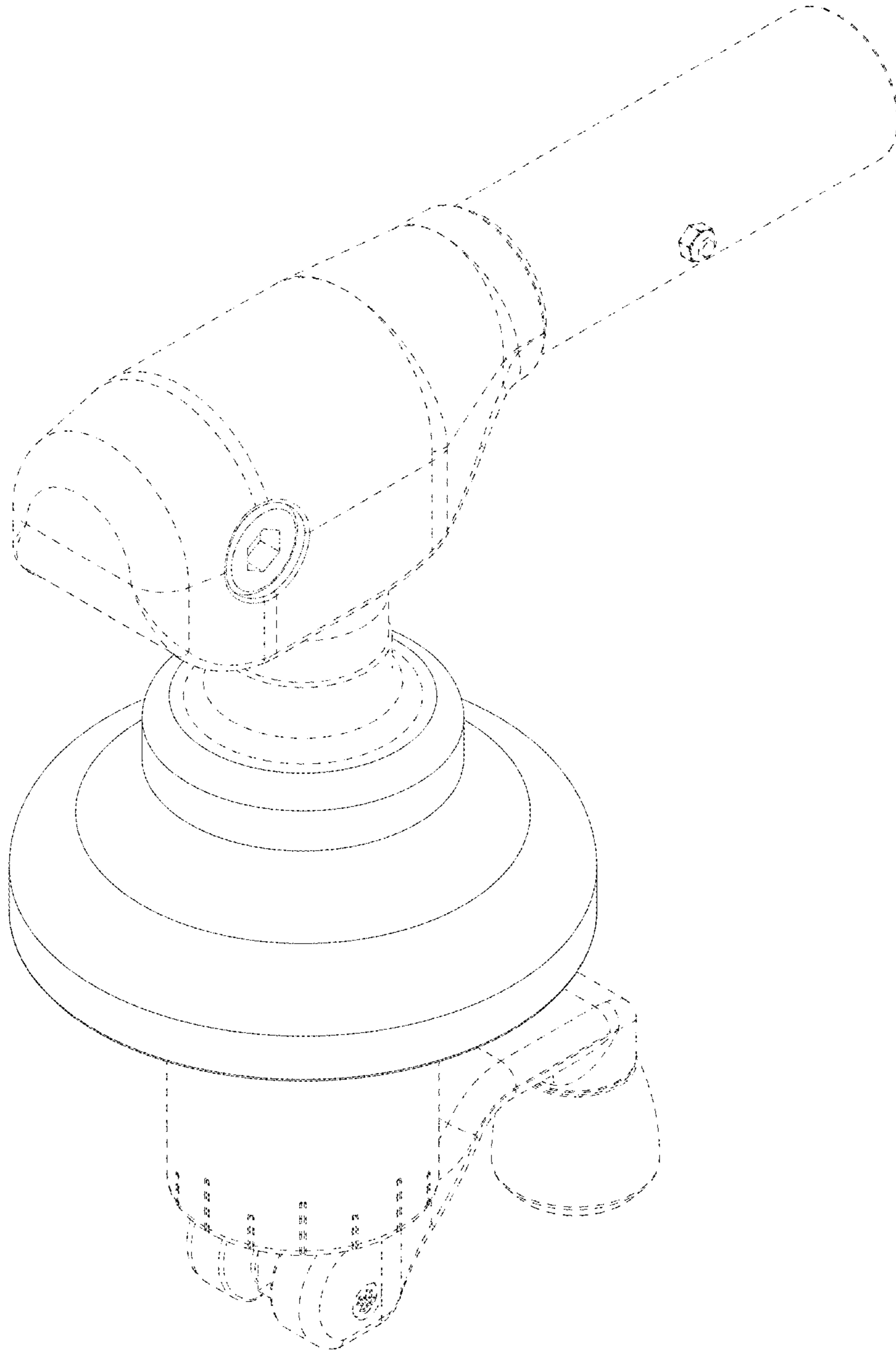


FIG. 2

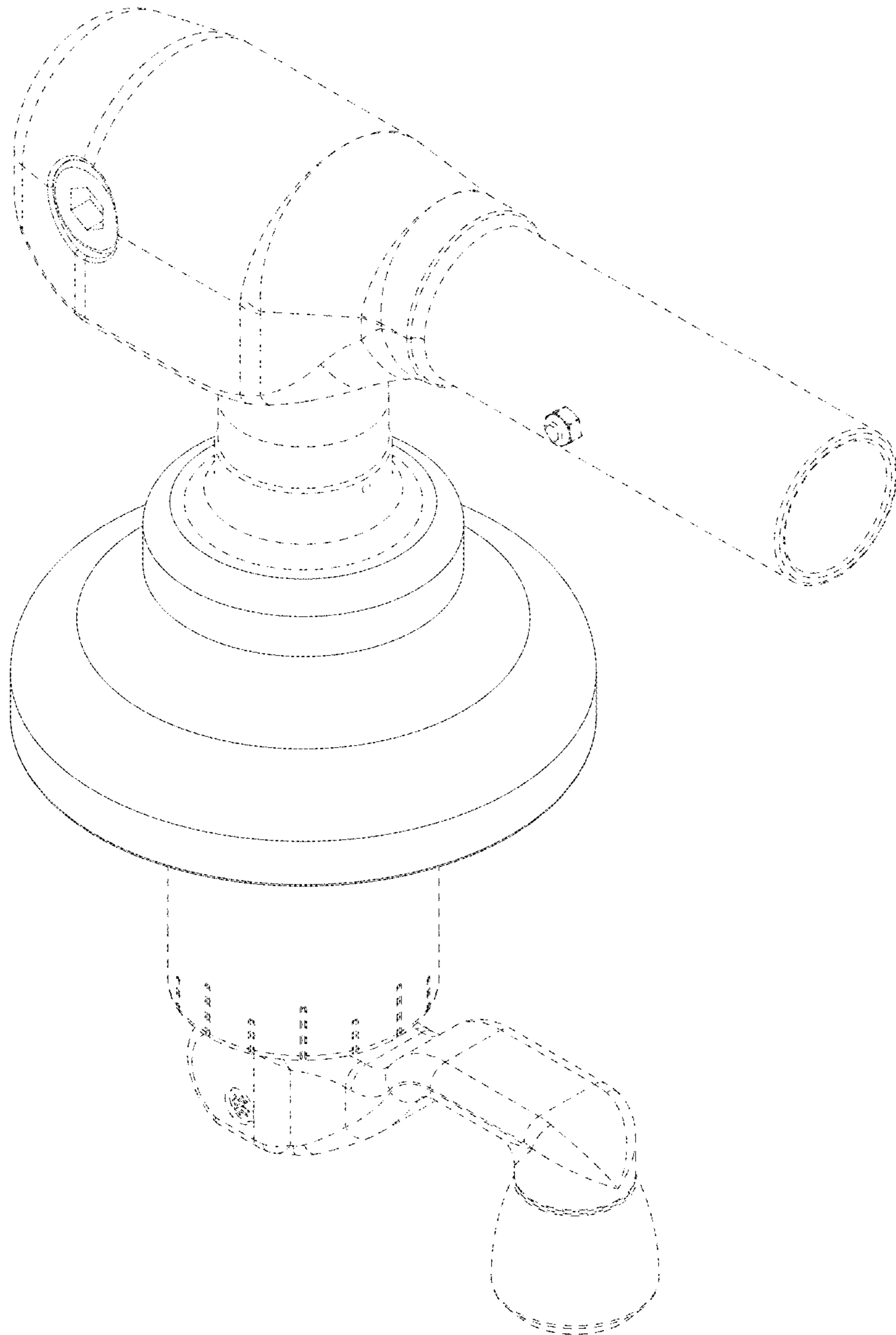


FIG. 3

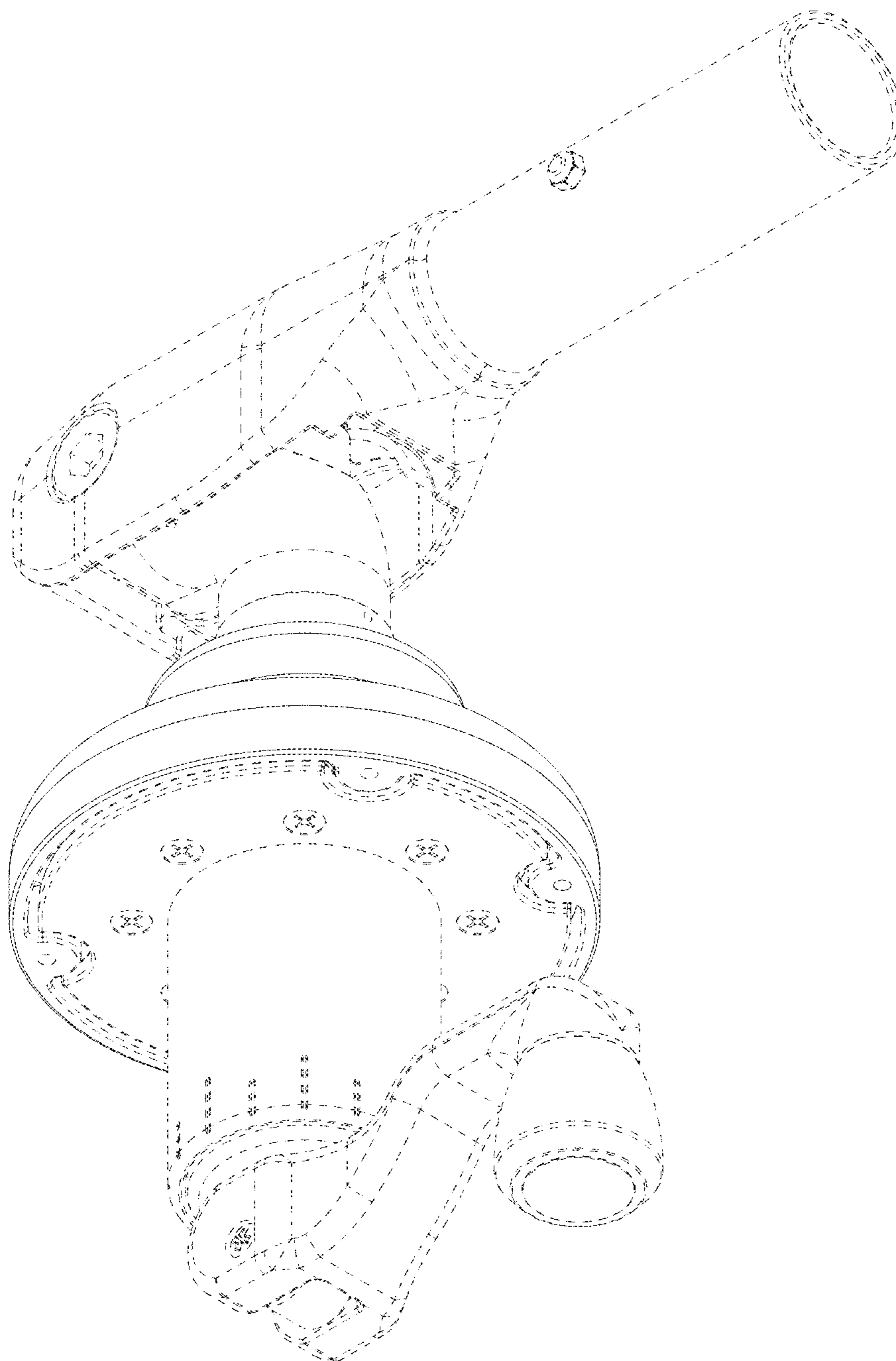


FIG. 4

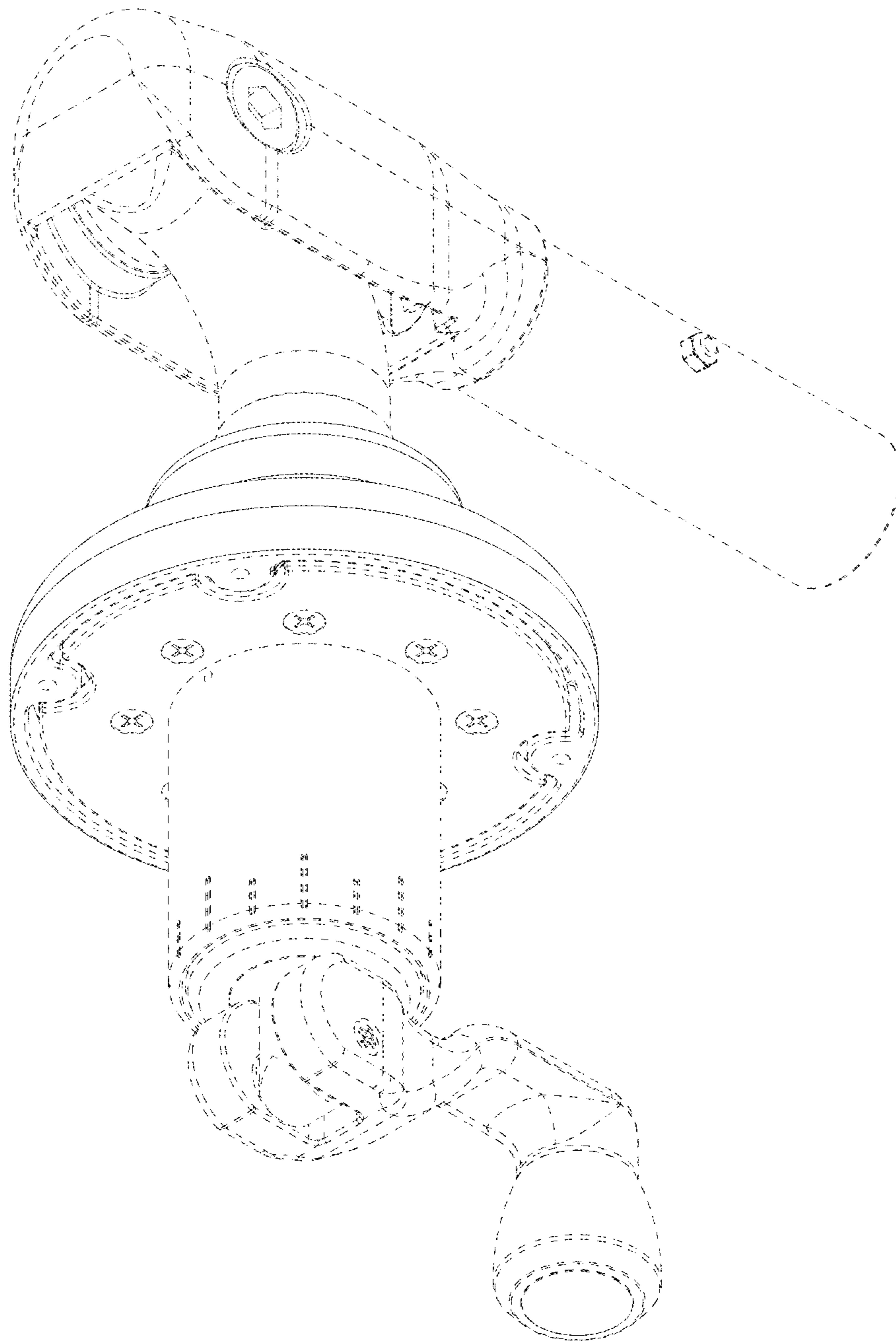


FIG. 5

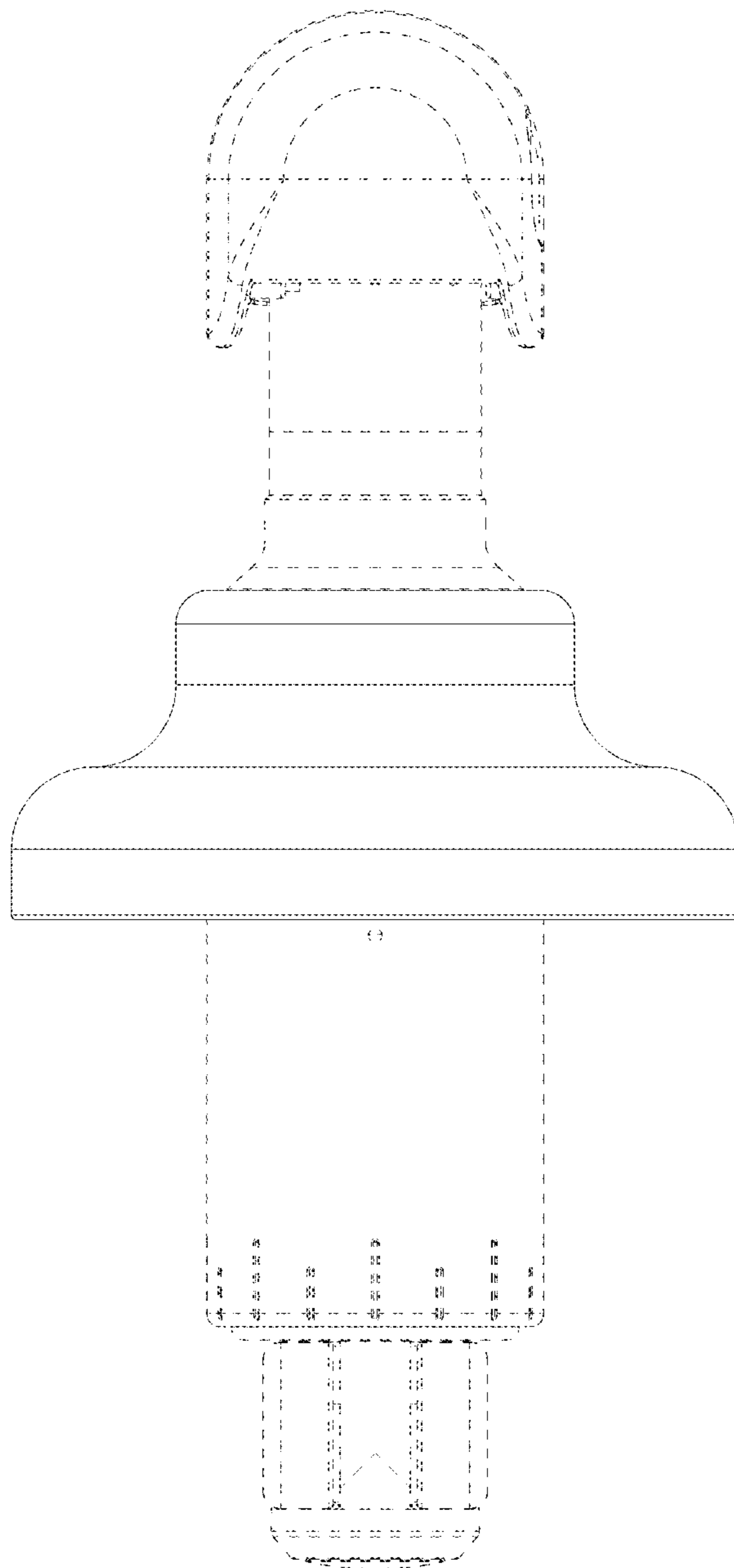


FIG. 6

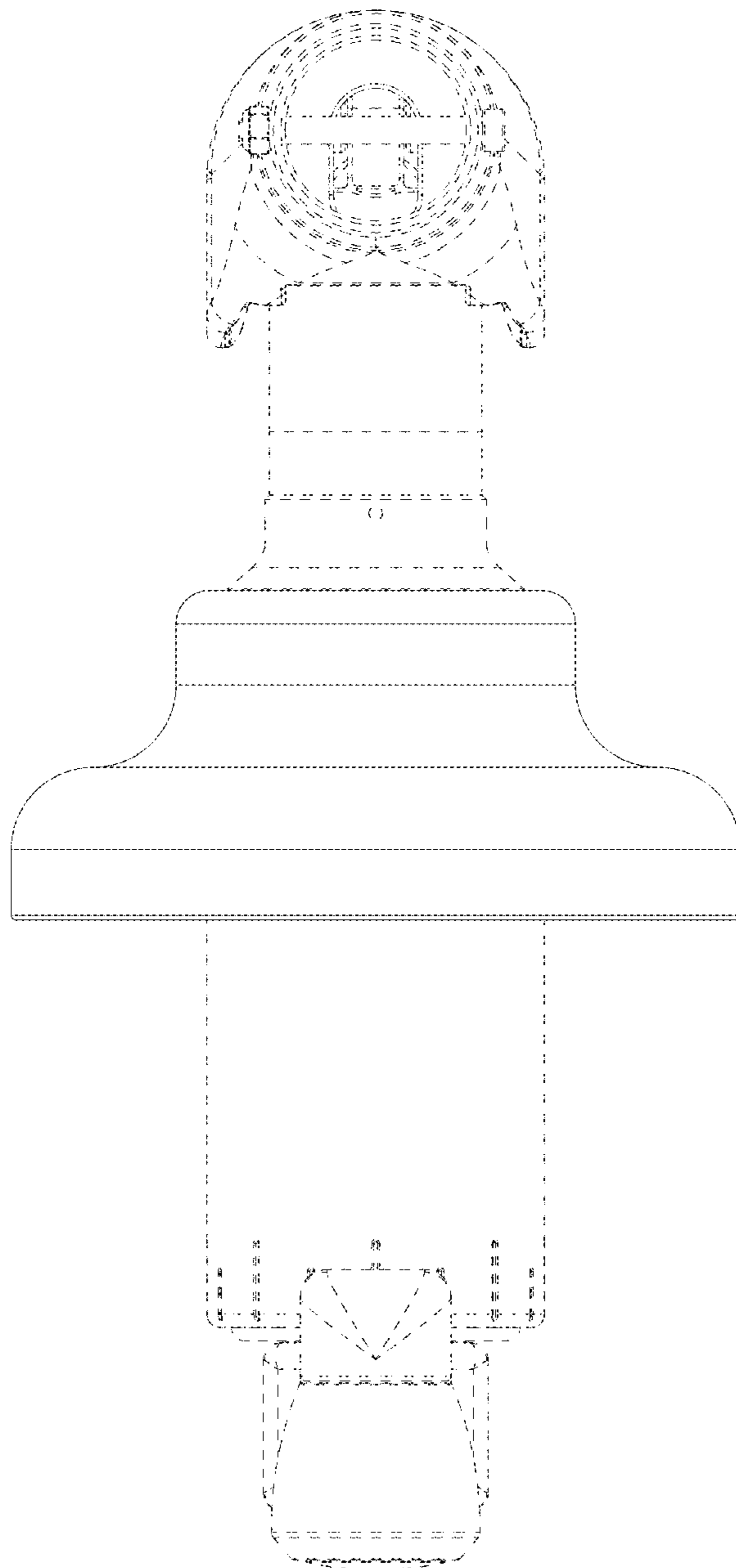


FIG. 7

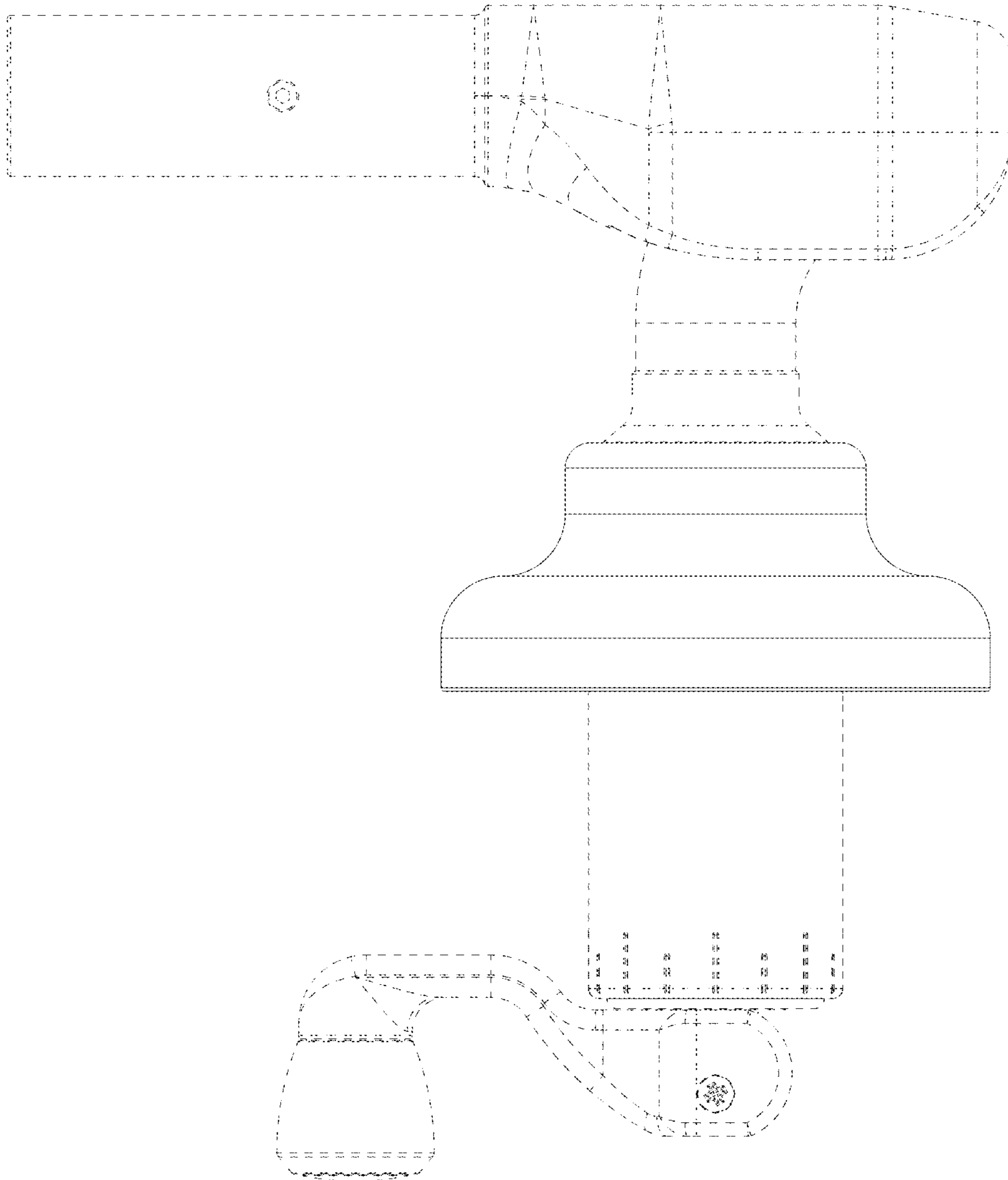


FIG. 8

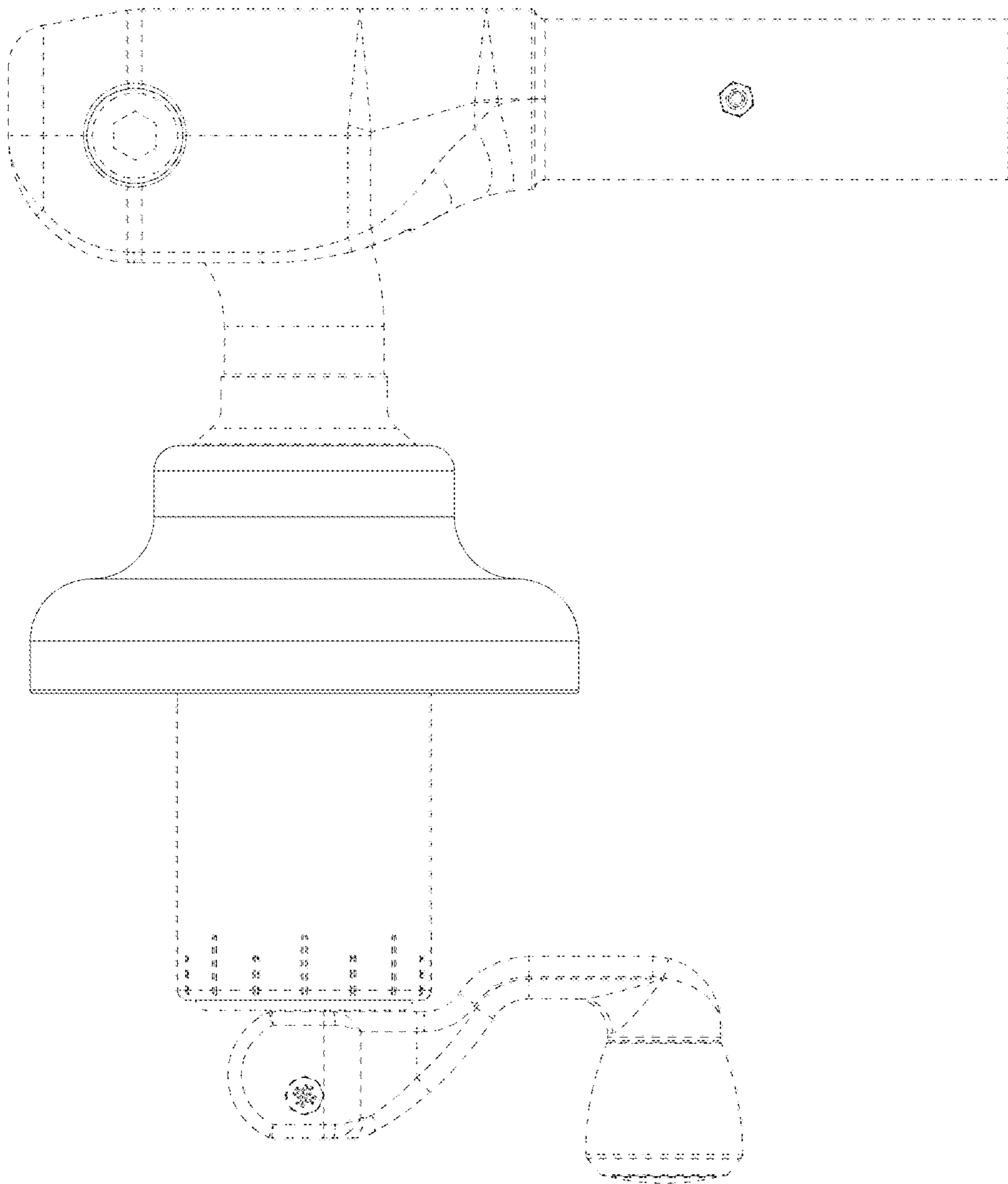


FIG. 9

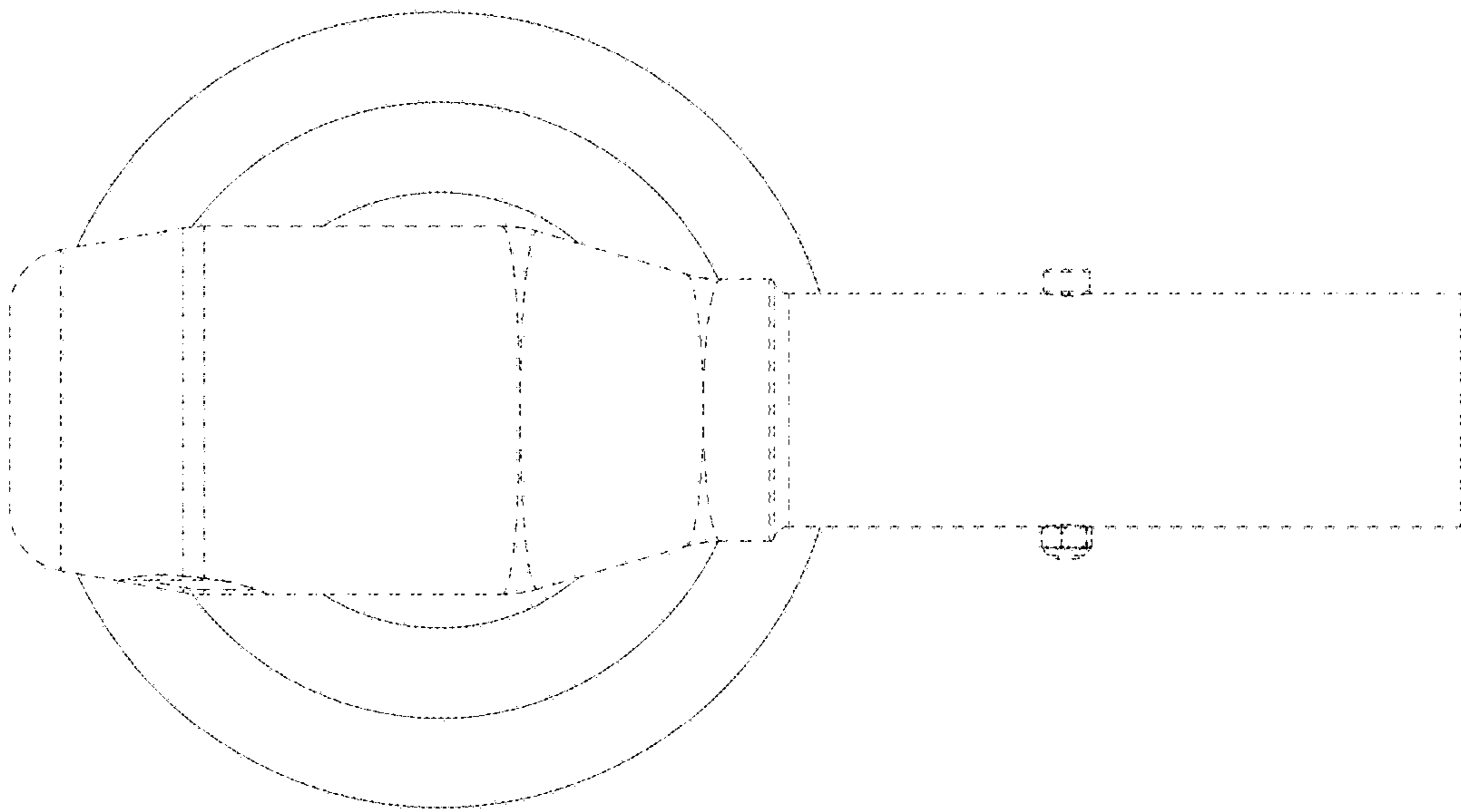


FIG. 10

