



US00D817740S

(12) **United States Design Patent** (10) **Patent No.:** **US D817,740 S**  
**Ocklenburg** (45) **Date of Patent:** **\*\* May 15, 2018**

(54) **LOCK**

(71) Applicant: **ABUS August Bremicker Söhne KG**,  
Wetter-Volmarstein (DE)

(72) Inventor: **Matthias Ocklenburg**, Darmstadt (DE)

(73) Assignee: **ABUS August Bremicker Söhne KG**,  
Wetter-Volmarstein (DE)

(\*\*) Term: **15 Years**

(21) Appl. No.: **29/600,685**

(22) Filed: **Apr. 14, 2017**

**Related U.S. Application Data**

(62) Division of application No. 29/556,638, filed on Mar.  
2, 2016, now Pat. No. Des. 790,954.

(30) **Foreign Application Priority Data**

Sep. 2, 2015 (EM) ..... 002764720.0002  
Sep. 2, 2015 (EM) ..... 002764720.0004  
Sep. 2, 2015 (EM) ..... 002764720.0006

(51) **LOC (11) Cl.** ..... **08-07**

(52) **U.S. Cl.**  
USPC ..... **D8/343**; D8/330; D8/331

(58) **Field of Classification Search**  
USPC ..... D8/330, 331, 333, 334, 339-341, 343,  
D8/349; 70/20, 30, 31, 38 A, 38 R, 51,  
70/52, 57.1, 141, 233, 431, 49, 26, 312,  
70/23, 22, 315-318  
CPC ..... E05B 37/00; E05B 37/02; E05B 37/08;  
E05B 69/00; E05B 67/003; E05B 67/06;  
E05B 71/00

See application file for complete search history.

(56) **References Cited**

U.S. PATENT DOCUMENTS

4,302,955	A *	12/1981	Kawakami	.....	E05B 37/08 70/30
D274,125	S *	6/1984	Hardesty	.....	D8/340
D332,387	S *	1/1993	Ling	.....	D8/333
5,749,251	A *	5/1998	Keefe	.....	A63C 11/007 211/70.5
6,860,126	B2 *	3/2005	Ling	.....	E05B 37/025 70/30
7,140,210	B2 *	11/2006	Cheng	.....	E05B 73/0005 70/14
D553,105	S *	10/2007	Heller	.....	D13/184
D564,338	S *	3/2008	Lu	.....	D8/331
7,412,854	B2 *	8/2008	Raemisch	.....	E05B 37/0034 70/30
D667,286	S *	9/2012	Wu	.....	D8/330
D670,994	S *	11/2012	Wu	.....	D8/343
D688,114	S *	8/2013	Stevens	.....	D8/334
D707,101	S *	6/2014	Stevens	.....	D8/331

\* cited by examiner

*Primary Examiner* — Prabhakar G Deshmukh  
(74) *Attorney, Agent, or Firm* — Dinsmore & Shohl LLP

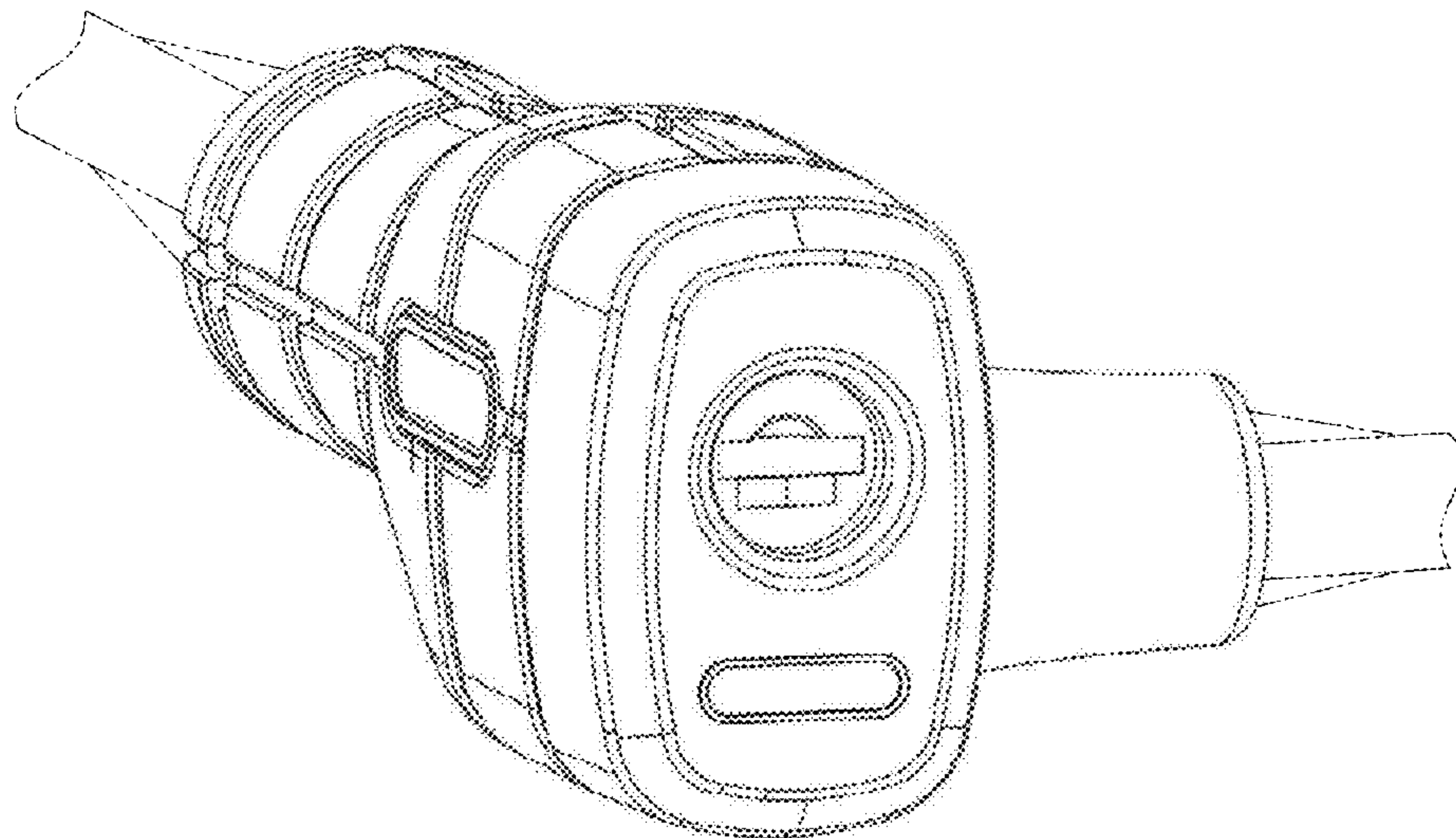
(57) **CLAIM**

The ornamental design for a lock, as shown and described.

**DESCRIPTION**

FIG. 1 is a perspective view of a lock showing my new design;  
FIG. 2 is a front elevational view thereof;  
FIG. 3 is a left side elevational view thereof;  
FIG. 4 is a right side elevational view thereof;  
FIG. 5 is a rear elevational view thereof;  
FIG. 6 is a top plan view thereof; and,  
FIG. 7 is a bottom plan view thereof.  
The broken lines illustrate environment and forms no part of the claimed design.

**1 Claim, 3 Drawing Sheets**



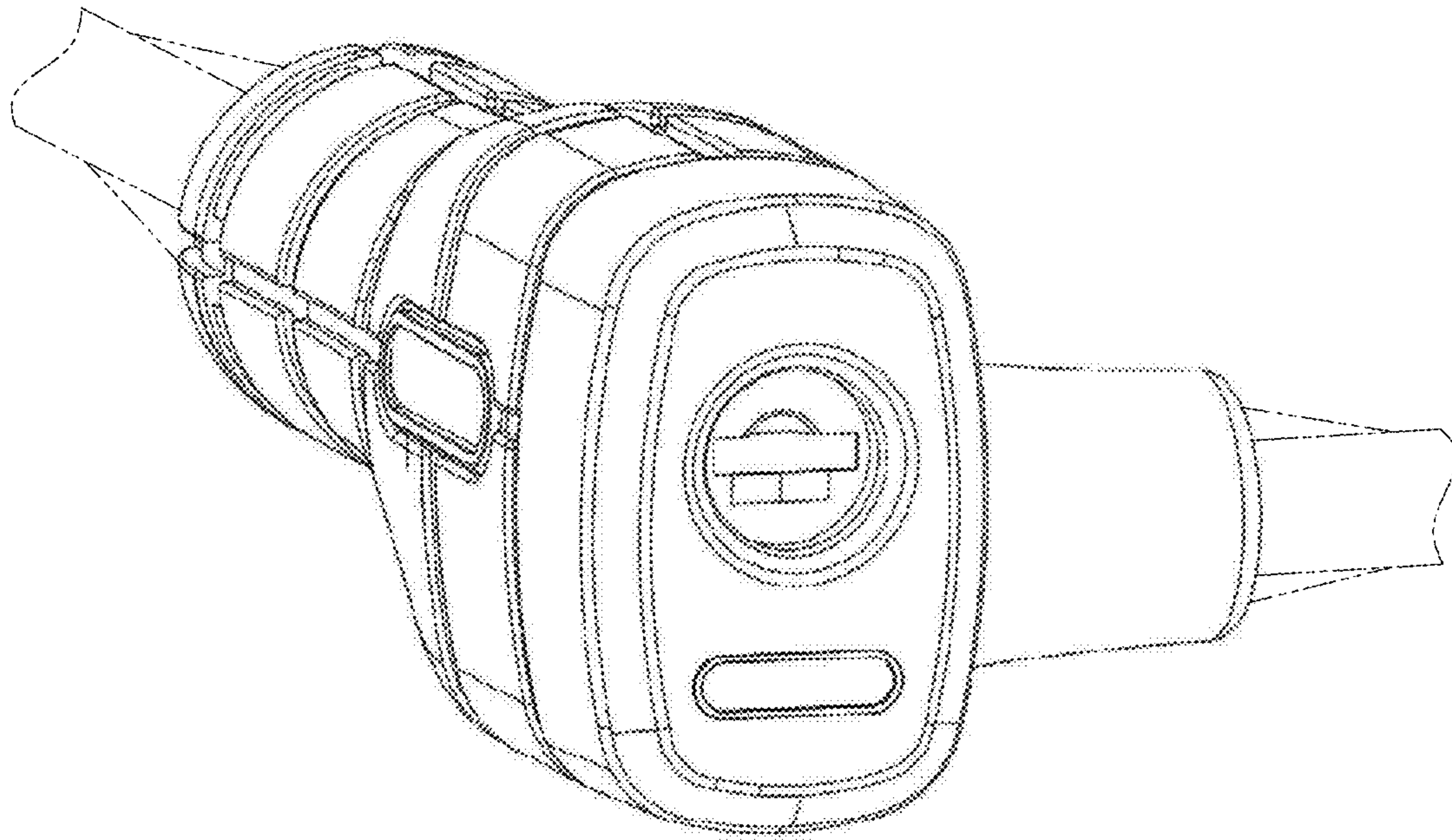


FIG. 1

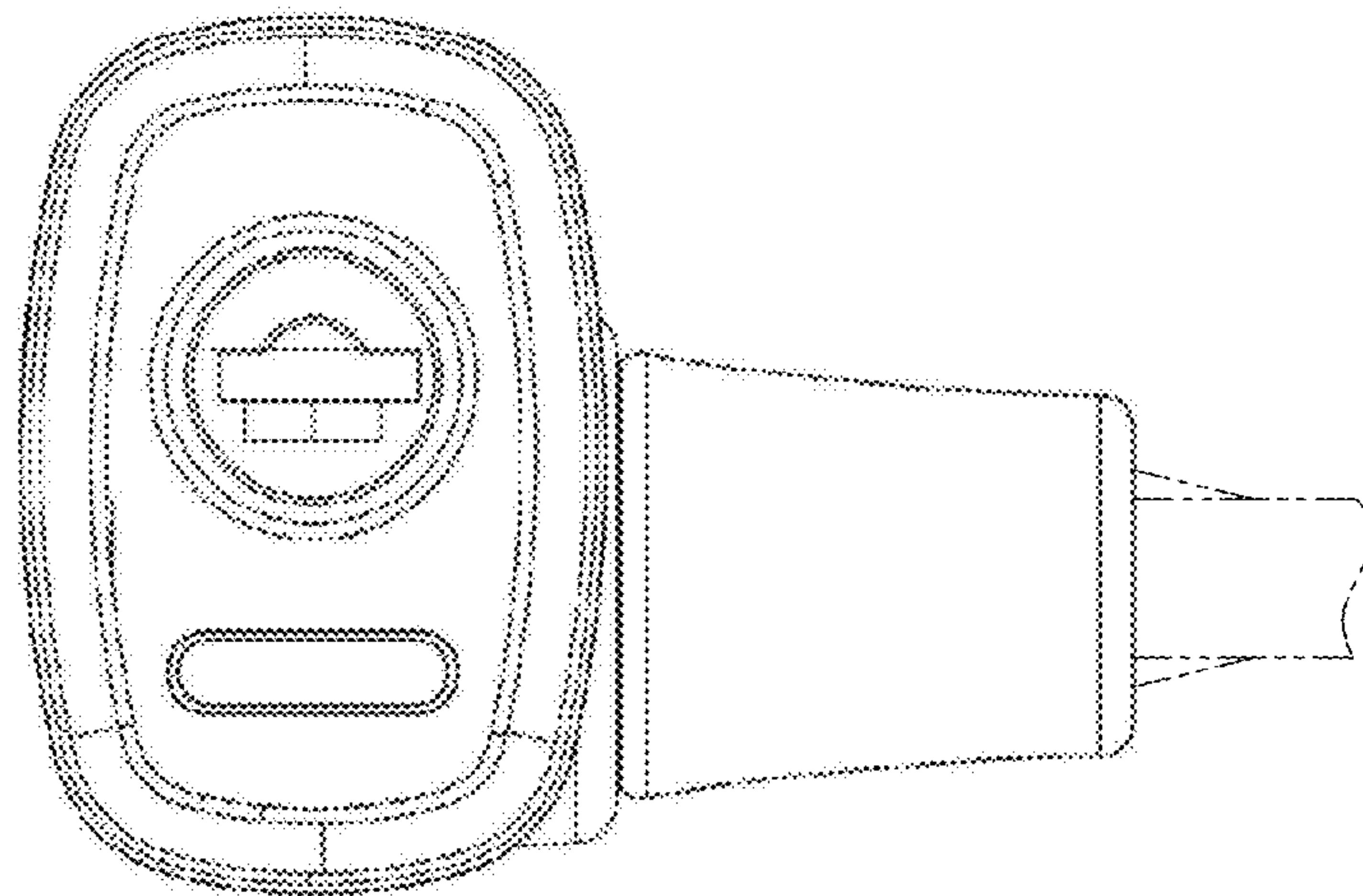


FIG. 2



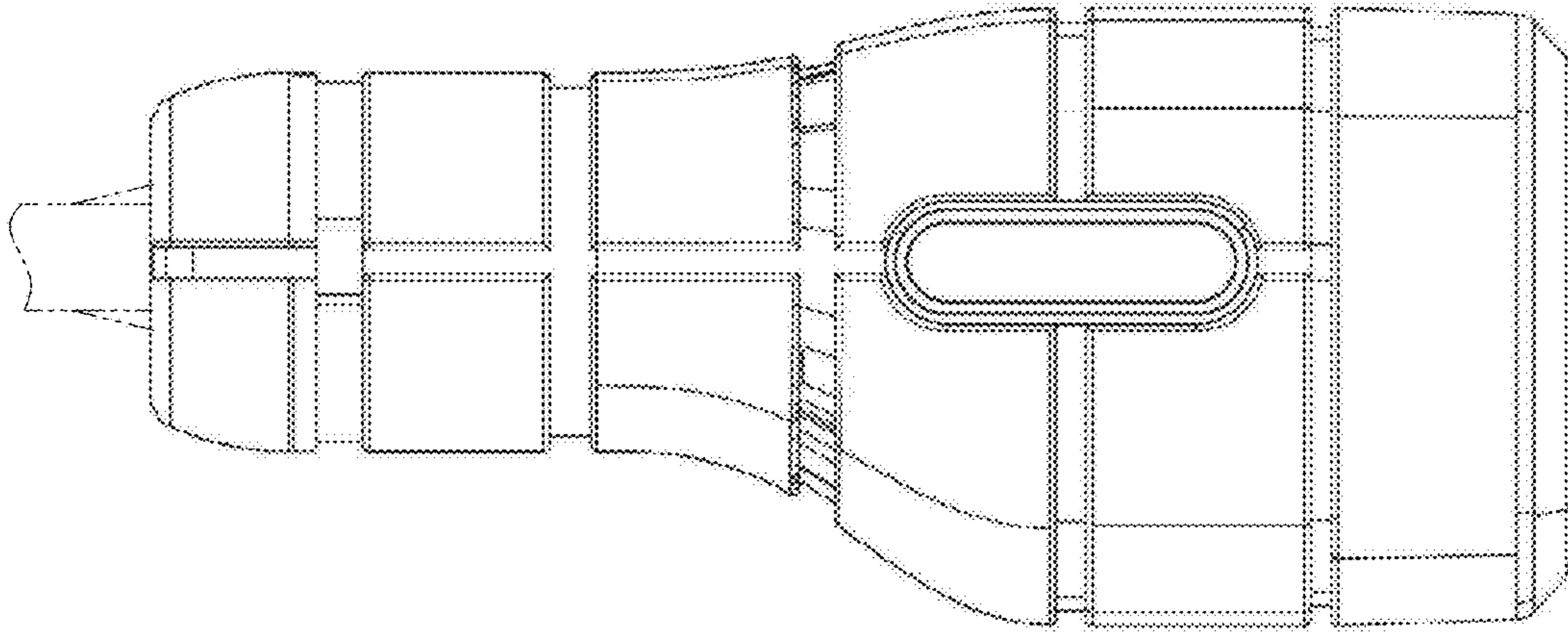


FIG. 3

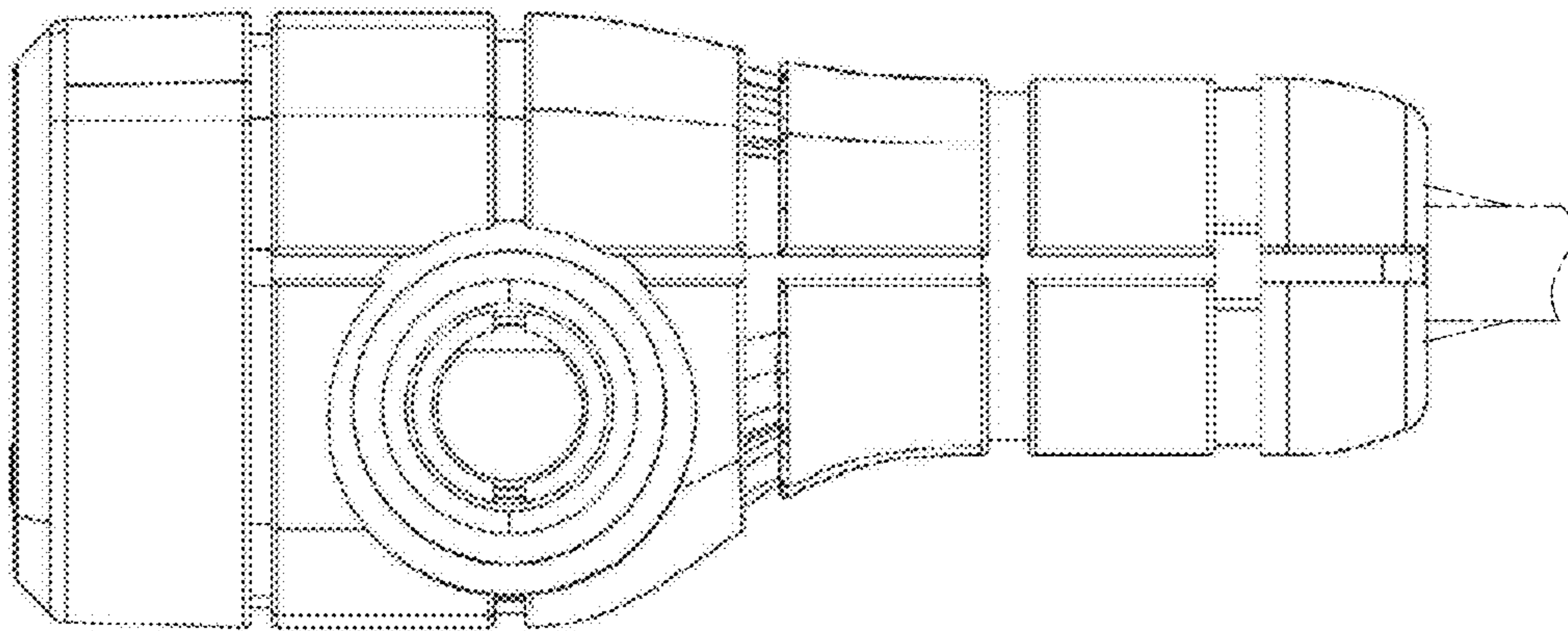


FIG. 4

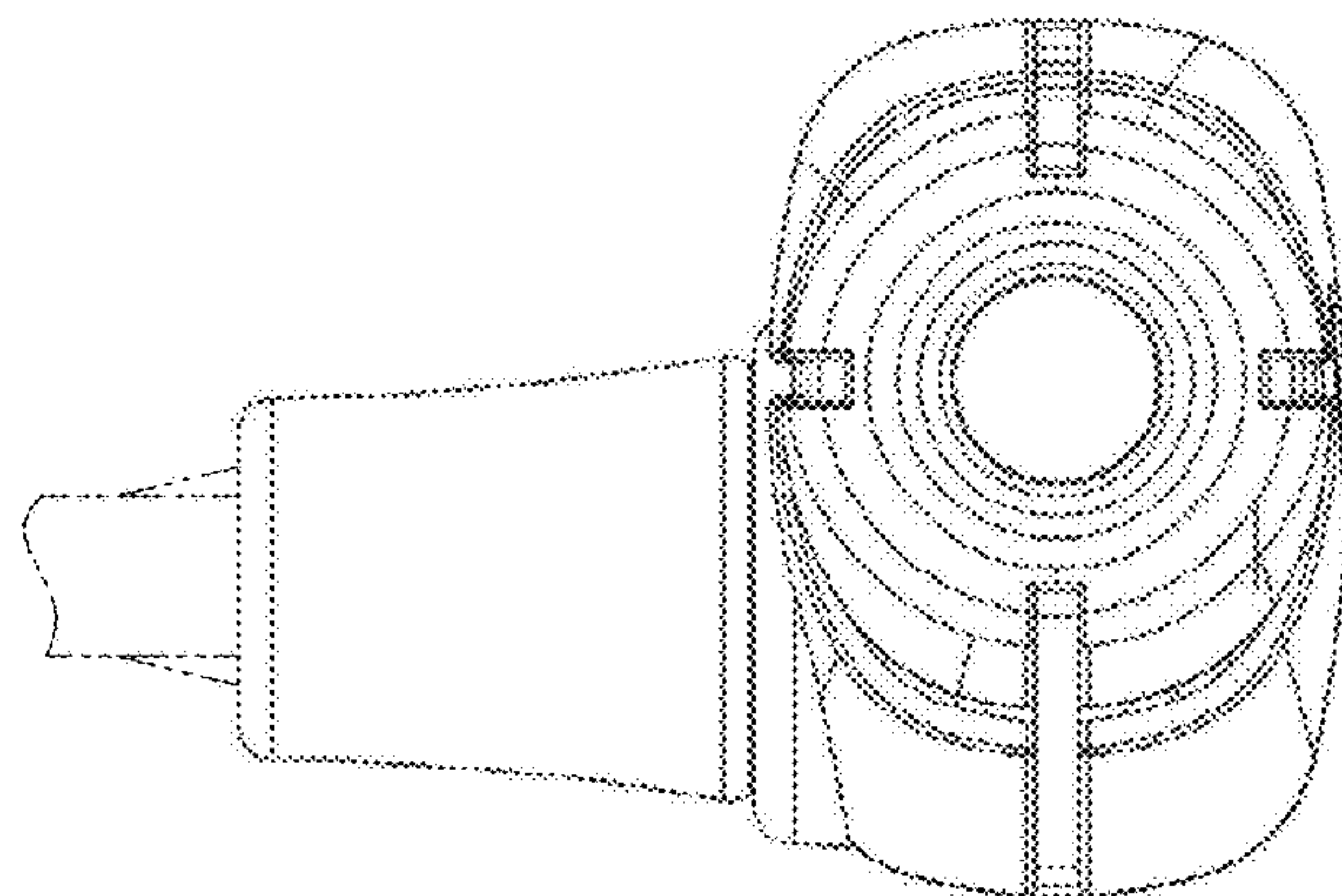


FIG. 5

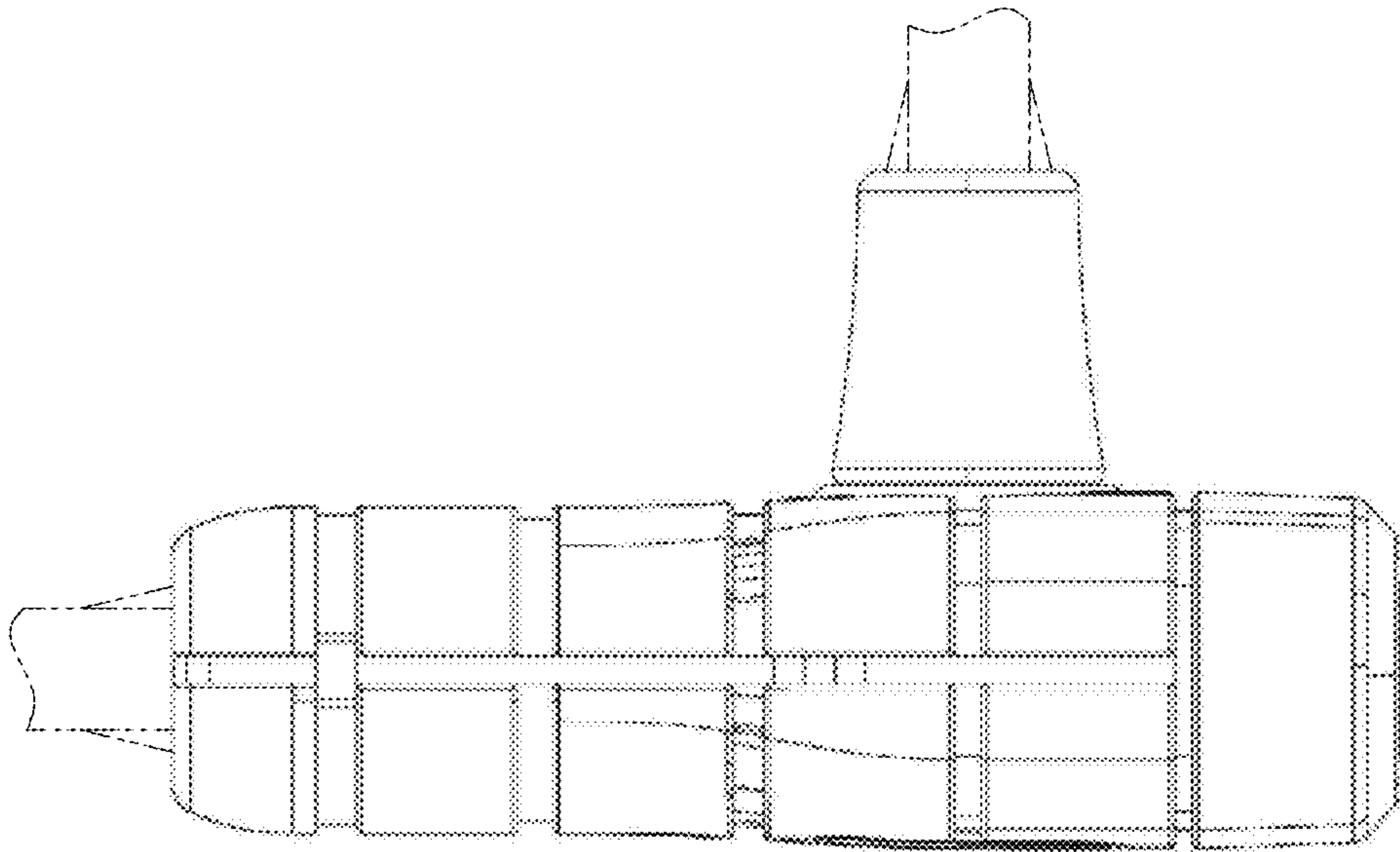


FIG. 6

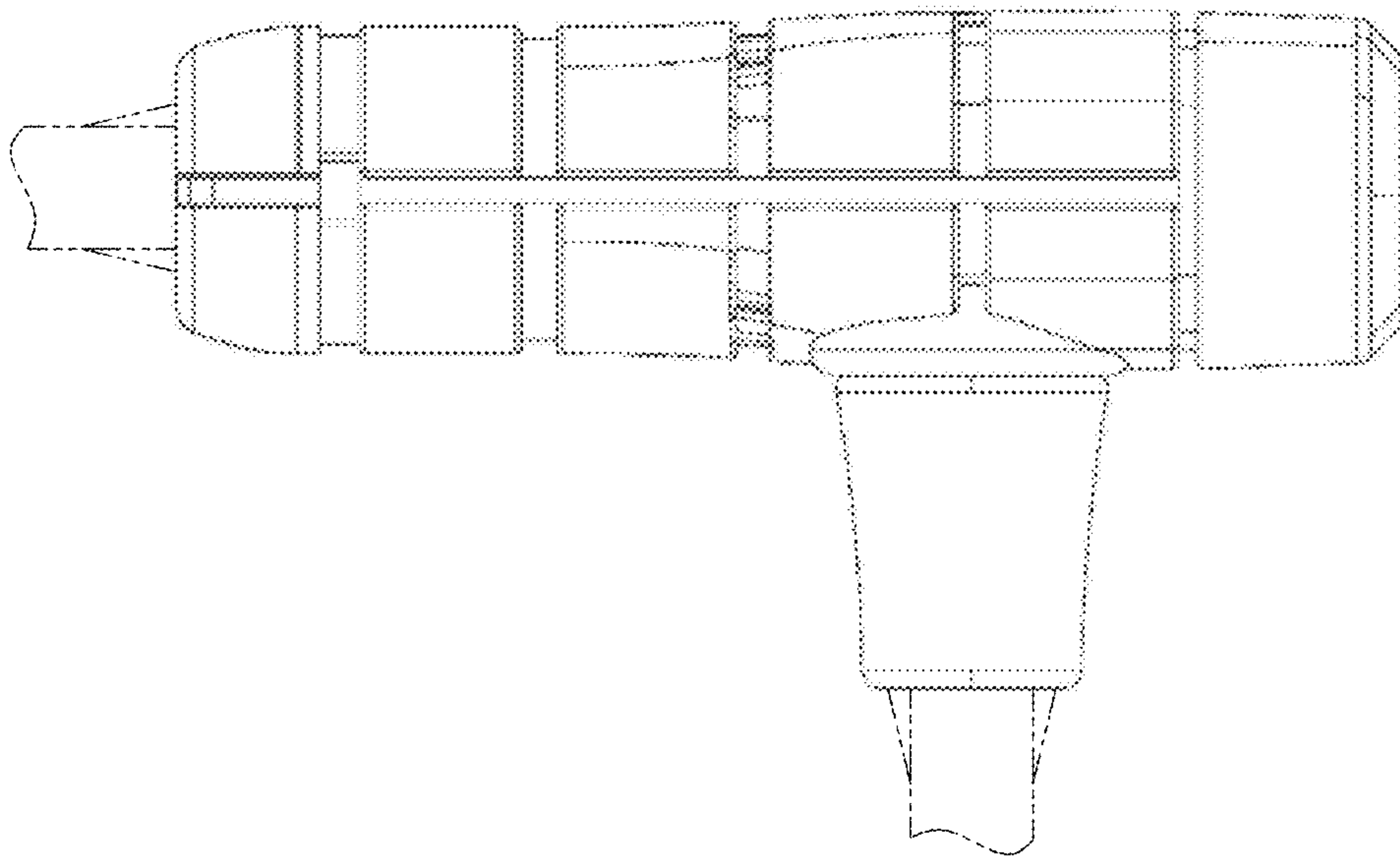


FIG. 7