



US00D817738S

(12) **United States Design Patent**  
**Chen**

(10) **Patent No.:** **US D817,738 S**

(45) **Date of Patent:** **\*\* May 15, 2018**

- (54) **MANUAL KNIFE SHARPENER**
- (71) Applicant: **Jack Chen**, Henderson, NV (US)
- (72) Inventor: **Jack Chen**, Henderson, NV (US)
- (\*\*) Term: **15 Years**
- (21) Appl. No.: **29/567,995**
- (22) Filed: **Jun. 14, 2016**
- (51) **LOC (11) Cl.** ..... **08-05**
- (52) **U.S. Cl.**  
USPC ..... **D8/93**
- (58) **Field of Classification Search**  
USPC ..... D8/14, 63, 71, 90-94, 98, 105  
CPC ... B23Q 3/00; B23Q 3/36; B23Q 3/48; B23Q  
3/54; B23Q 3/546; B24D 15/00; B24D  
15/06; B24D 15/063; B24D 15/065;  
B24D 15/08; B24D 15/081; B24D  
15/082; B24D 15/085; B24D 15/088  
See application file for complete search history.

(56) **References Cited**

**U.S. PATENT DOCUMENTS**

52,587 A	2/1866	Nash	
97,701 A	12/1869	Robbins	
439,799 A	11/1890	Geer	
D59,951 S *	12/1921	Brook	D8/93
1,625,219 A *	4/1927	McCall	B24D 15/082 76/89
1,743,359 A	1/1930	Kulp	
D82,356 S *	10/1930	Farquharson	D8/93
D82,929 S *	12/1930	Carpenter	76/87
1,810,727 A *	6/1931	Polson	B24D 15/082 76/87
2,426,934 A	9/1947	Jones	
2,495,814 A	1/1950	Marcantonio	
D169,539 S *	5/1953	Folli	D8/63
D173,204 S *	10/1954	Hussar	D8/93
D183,530 S *	9/1958	Lamb	D8/93
3,775,020 A *	11/1973	Stoutenberg	B23B 49/02 408/115 R

3,917,427 A *	11/1975	Hickman	B23B 49/02 408/72 R
D243,505 S *	3/1977	Hickman	D8/14
D269,940 S *	8/1983	Hirosawa	D8/93
D274,497 S *	7/1984	Zabel	D8/93
D299,308 S *	1/1989	Prindle	D8/93
D315,663 S *	3/1991	Dolbosco	D8/93
D323,450 S *	1/1992	Shimizu	D8/93
D331,688 S *	12/1992	Busse	D8/63
D339,730 S *	9/1993	Pigott	D8/93
D357,395 S *	4/1995	Friel	D8/93
5,461,942 A	10/1995	Kelley	
D368,217 S *	3/1996	Friel	D8/93
D372,181 S *	7/1996	Kelley	D8/93

(Continued)

**FOREIGN PATENT DOCUMENTS**

BR MU9000802-2 U2 7/2011

**OTHER PUBLICATIONS**

Machine translation for BR MU 9000802.

*Primary Examiner* — Phillip S Hyder

(74) *Attorney, Agent, or Firm* — John D. Long, Esq.;  
Long & Chybik

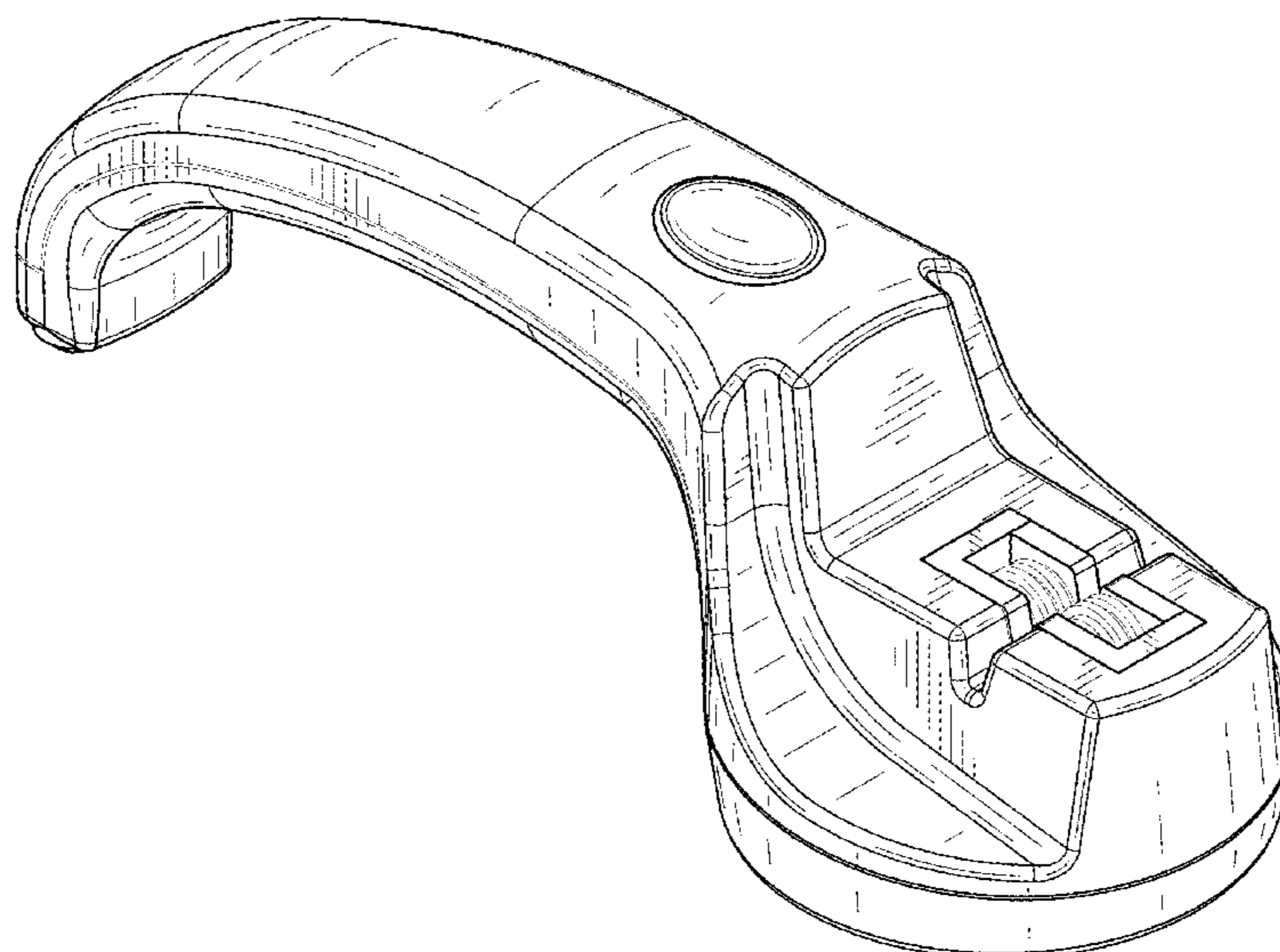
(57) **CLAIM**

The ornamental design for a manual knife sharpener, as shown and described.

**DESCRIPTION**

FIG. 1 is a perspective view from the front of my new design;  
 FIG. 2 is a left side elevation view thereof;  
 FIG. 3 is a right side elevation view thereof;  
 FIG. 4 is a top view thereof;  
 FIG. 5 is a bottom view thereof;  
 FIG. 6 is a front end elevation view thereof; and,  
 FIG. 7 is a back end elevation view thereof.

**1 Claim, 4 Drawing Sheets**



(56)

References Cited

U.S. PATENT DOCUMENTS

D392,869	S *	3/1998	Rieser .....	D8/93
D402,523	S *	12/1998	Thomas .....	D8/91
D500,439	S *	1/2005	Rosenthal .....	D8/93
D526,876	S *	8/2006	Smith .....	D8/93
D582,238	S *	12/2008	Mullen .....	D8/91
D587,088	S *	2/2009	Smith .....	D8/93
D587,551	S *	3/2009	Friel, Sr. ....	D8/93
D603,679	S *	11/2009	Smith .....	D8/93
D604,134	S *	11/2009	Smith .....	D8/63
D604,135	S *	11/2009	Smith .....	D8/63
D626,397	S *	11/2010	Smith .....	D8/93
D629,273	S *	12/2010	Friel, Sr. ....	D8/93
D640,116	S *	6/2011	Smith .....	D8/93
D665,647	S *	8/2012	Friel, Sr. ....	D8/93
D666,886	S *	9/2012	Rieser .....	D8/93
D669,755	S *	10/2012	Huber .....	D8/93
D673,833	S *	1/2013	Kay .....	D8/93
D680,847	S *	4/2013	Smith .....	D8/93
D736,587	S *	8/2015	Cavanaugh .....	D8/93
D765,486	S *	9/2016	Evans .....	D8/93
2009/0325473	A1 *	12/2009	Smith .....	B24D 15/08
				451/555
2013/0267153	A1 *	10/2013	Zahnd .....	B24B 3/54
				451/282
2014/0120812	A1 *	5/2014	Smith .....	B24D 15/081
				451/552
2016/0207171	A1 *	7/2016	Weiner .....	B24D 15/08

\* cited by examiner

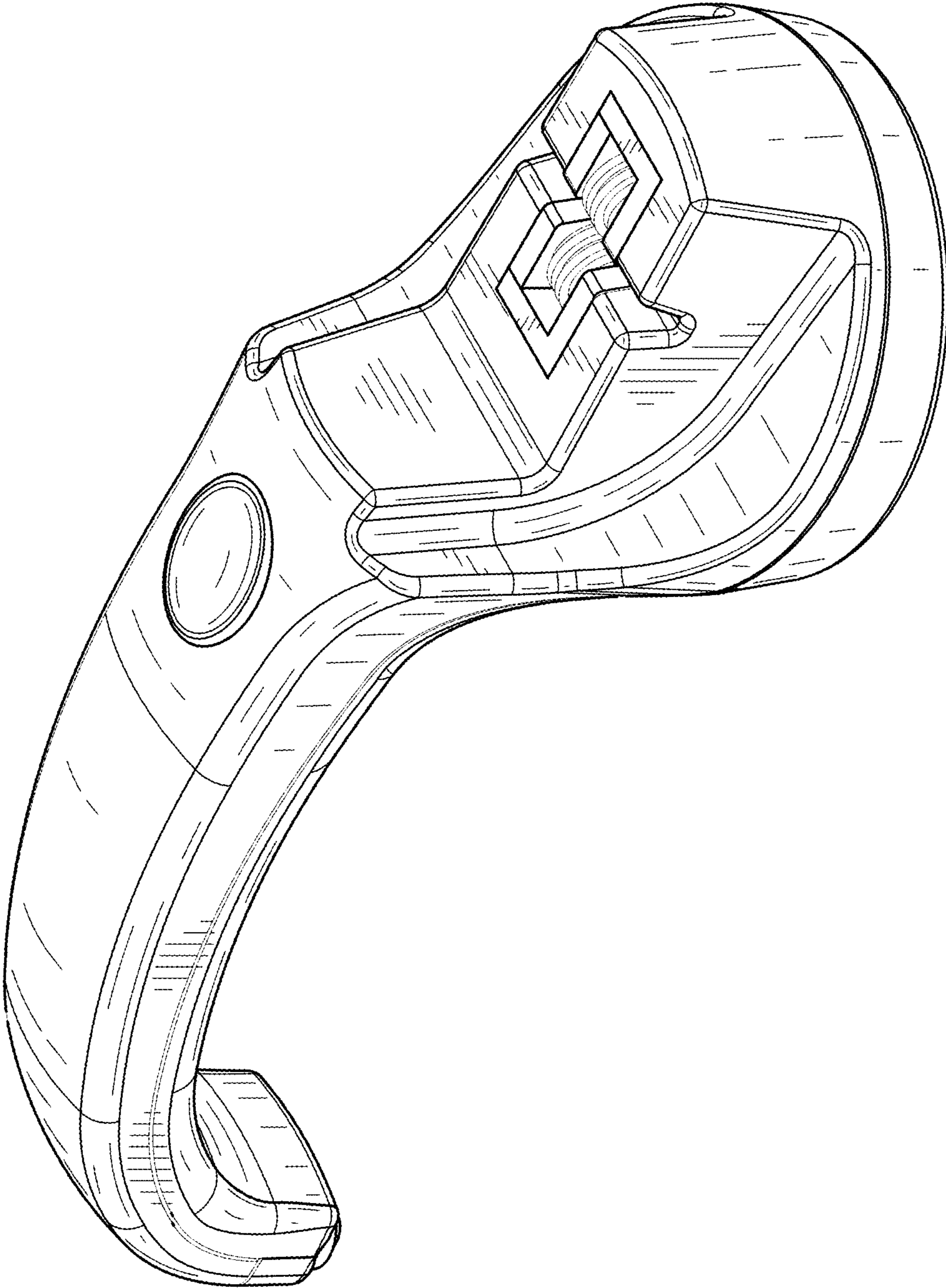


FIG. 1

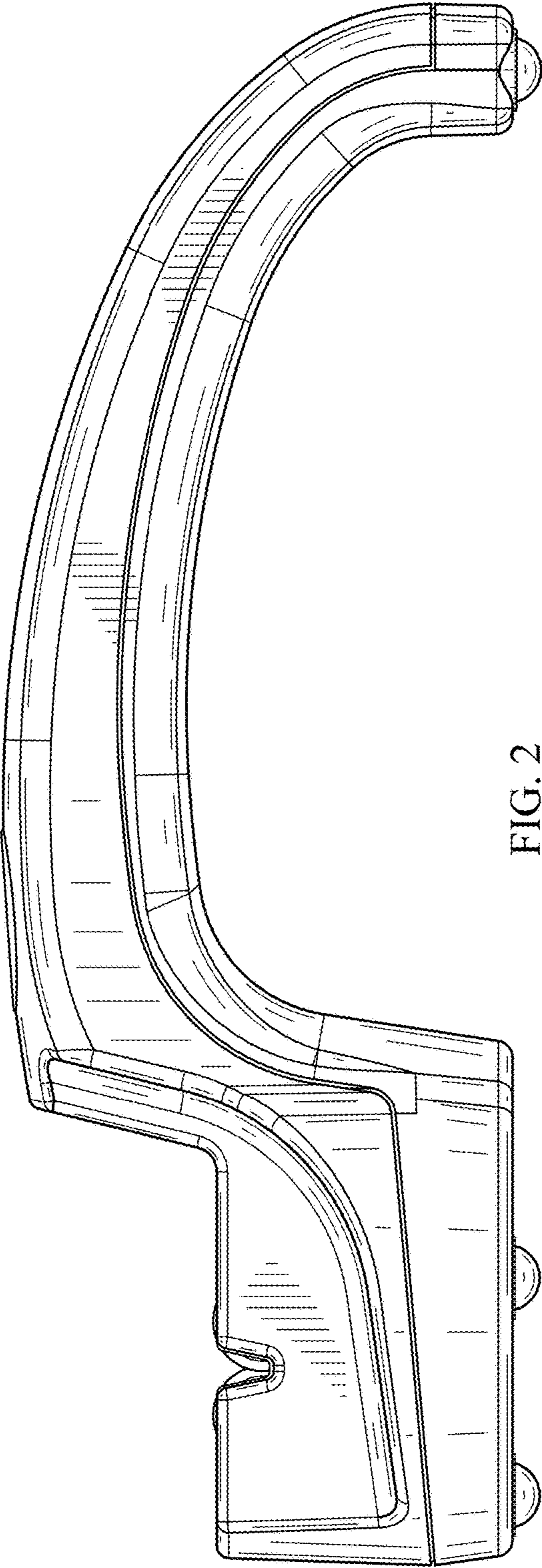


FIG. 2

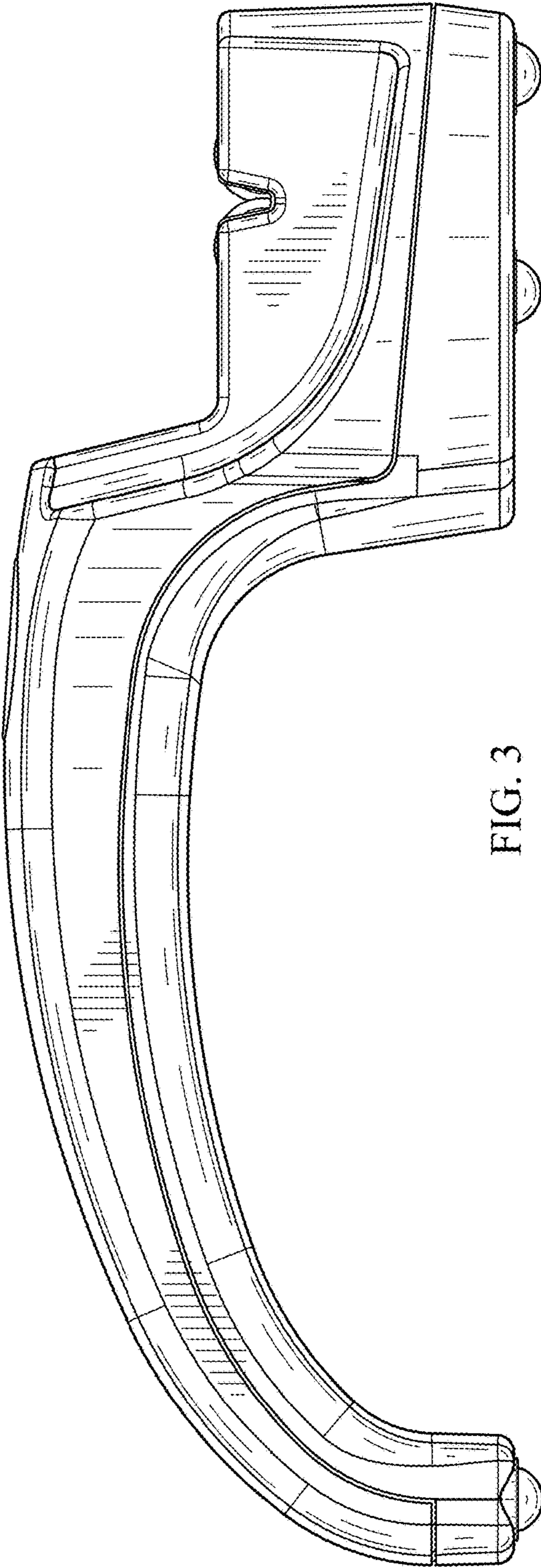
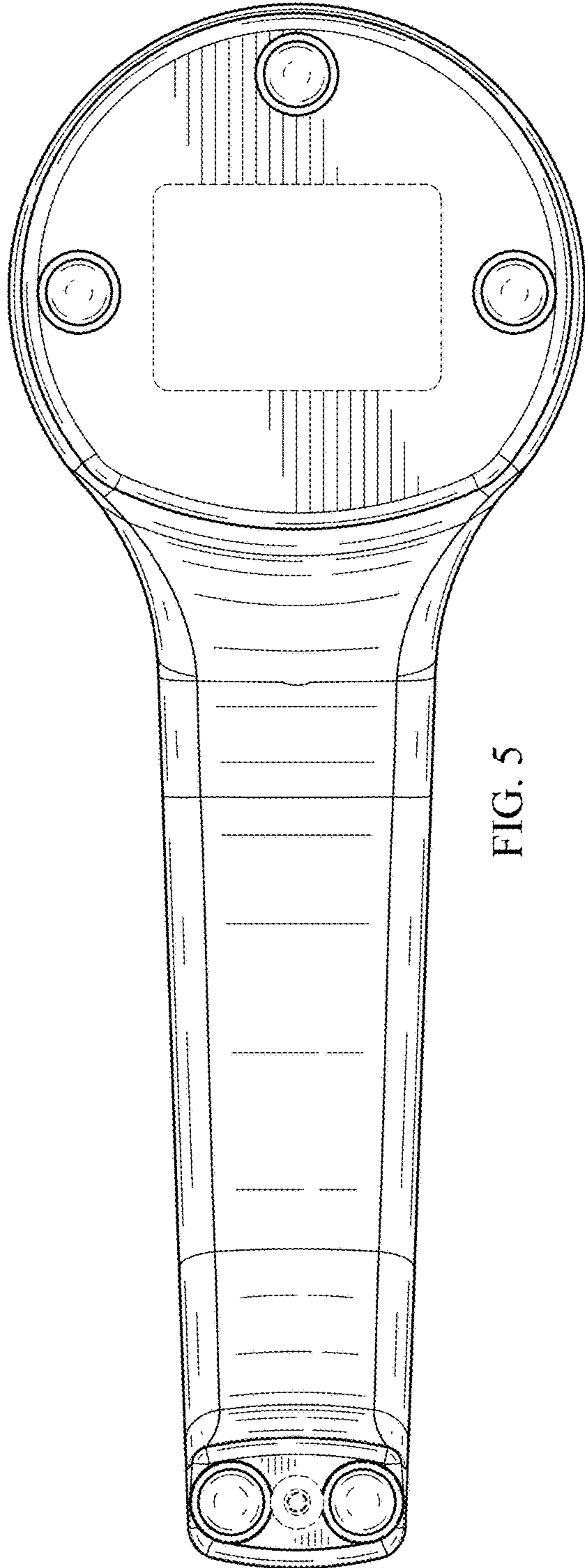
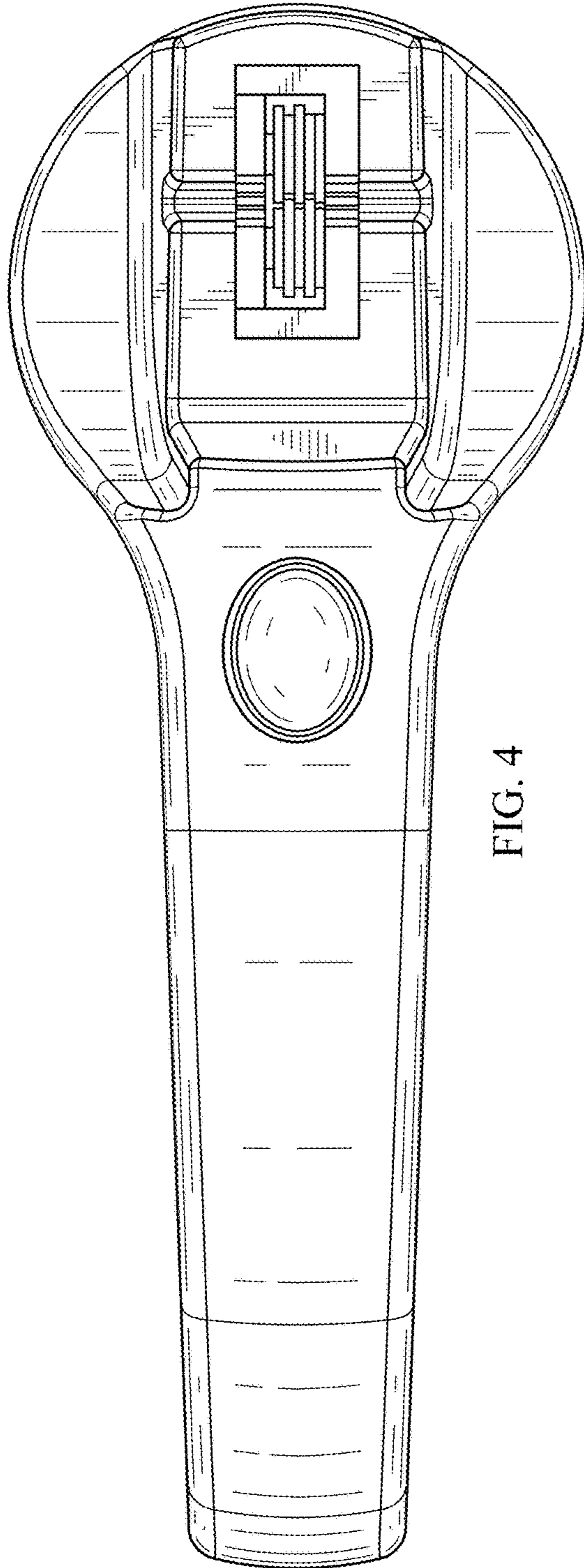


FIG. 3



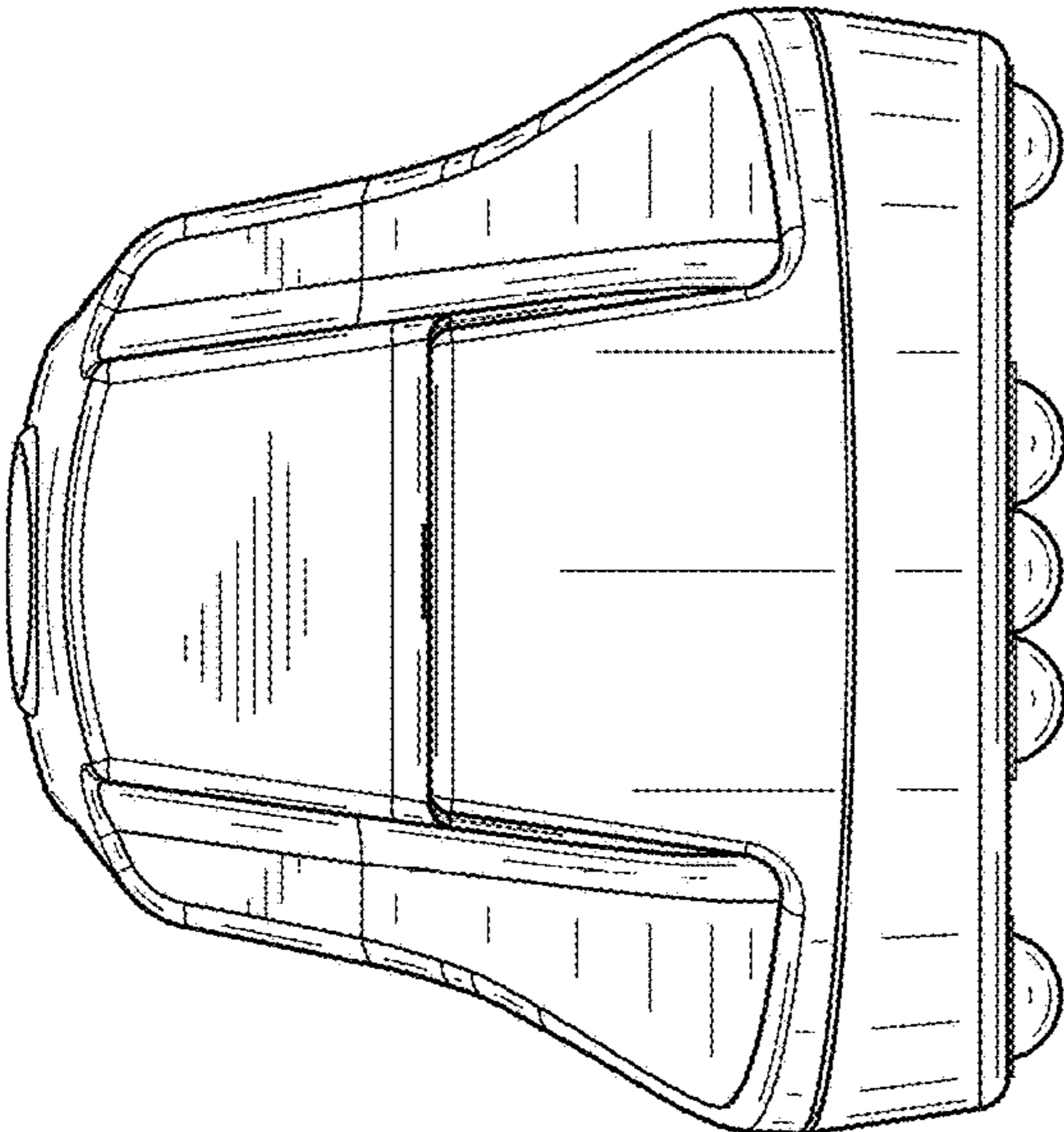


FIG. 6

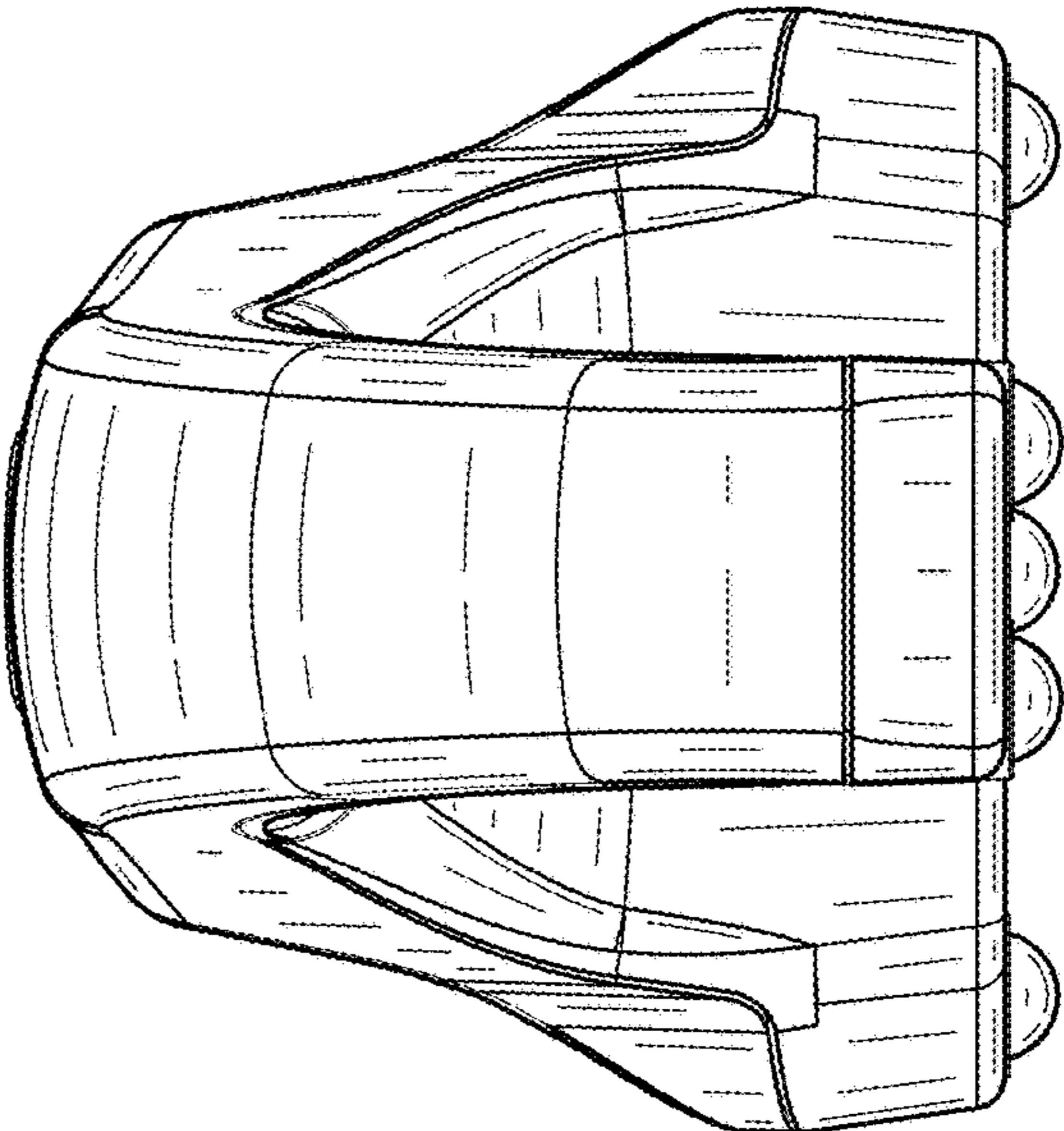


FIG. 7