



US00D817736S

(12) **United States Design Patent** (10) **Patent No.:** **US D817,736 S**
Kao (45) **Date of Patent:** **** May 15, 2018**

(54) **TOOL MOUNT**
(71) Applicant: **Jui-Chien Kao**, Taichung (TW)
(72) Inventor: **Jui-Chien Kao**, Taichung (TW)
(**) Term: **15 Years**
(21) Appl. No.: **29/594,605**
(22) Filed: **Feb. 21, 2017**
(51) **LOC (11) Cl.** **08-05**
(52) **U.S. Cl.**
USPC **D8/70; D8/349**
(58) **Field of Classification Search**
USPC D8/70, 71, 74, 349, 354; D15/140, 143,
D15/147
CPC B25F 5/021; B27C 5/10
See application file for complete search history.

D665,242 S * 8/2012 Wackwitz D15/140
D676,309 S * 2/2013 Bailey D8/354
8,366,356 B2 * 2/2013 Novak B23B 51/0473
408/204
D682,651 S * 5/2013 McRoberts D8/20
D714,119 S * 9/2014 Graber D8/70
D719,199 S * 12/2014 Kurusu D15/138
D738,178 S * 9/2015 Eisinger D8/70
RE46,103 E * 8/2016 Novak B23B 51/04
D798,685 S * 10/2017 Matsui D8/70
D802,391 S * 11/2017 Cuzdey D8/70

* cited by examiner

Primary Examiner — Darlington Ly
(74) *Attorney, Agent, or Firm* — WPAT, PC

(57) **CLAIM**

The ornamental design for a tool mount, as shown and described.

DESCRIPTION

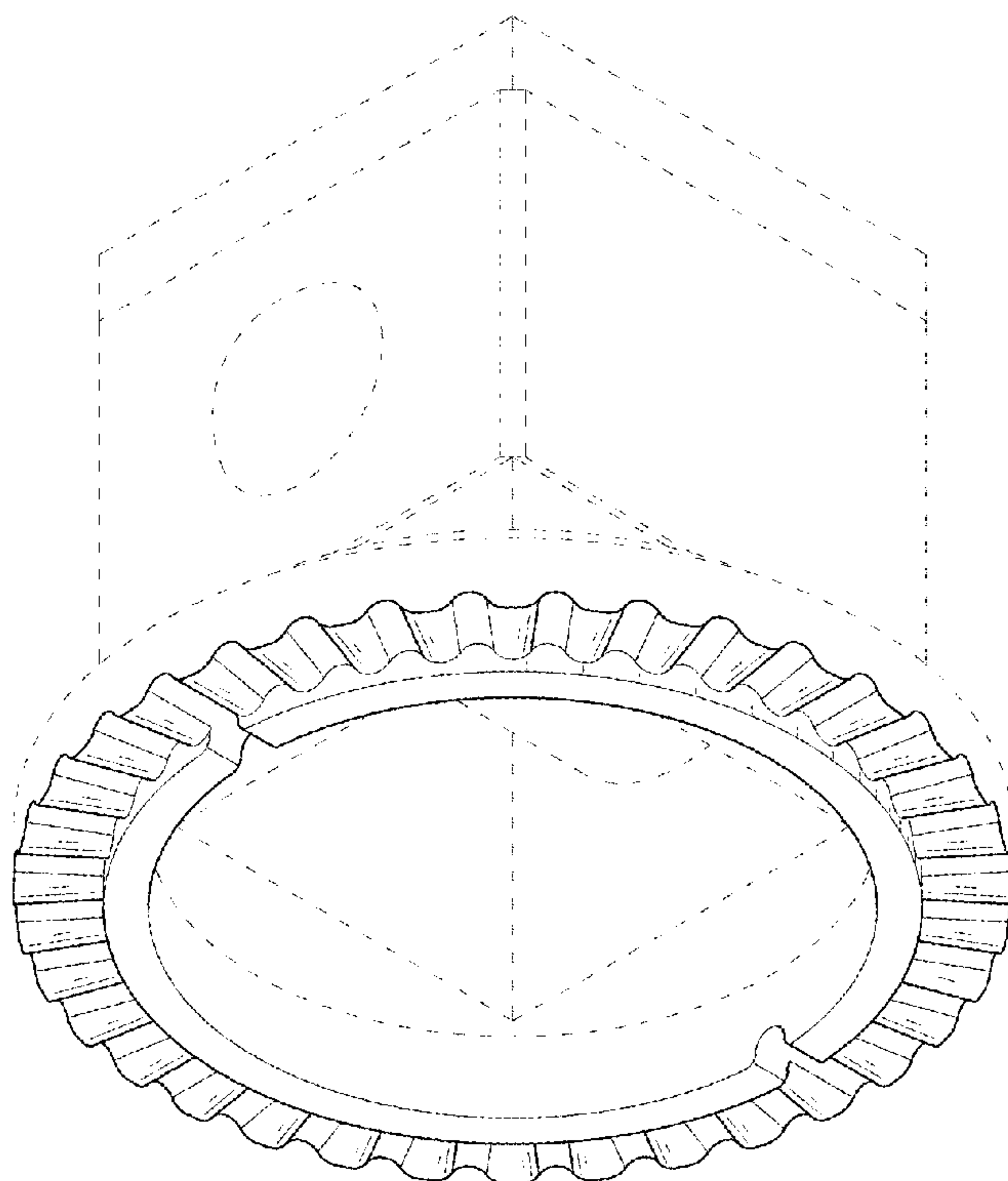
FIG. 1 is a bottom perspective view of a tool mount showing my new design;
FIG. 2 is front elevation view thereof;
FIG. 3 is a rear elevation view thereof;
FIG. 4 is a left side elevation view thereof;
FIG. 5 is a right side elevation view thereof; and,
FIG. 6 is a bottom plan view thereof.
The broken lines in the drawings illustrate portions of the tool mount that form no part of the claimed design.

1 Claim, 6 Drawing Sheets

(56) **References Cited**

U.S. PATENT DOCUMENTS

D319,565 S * 9/1991 Krogsgaard D15/138
D460,469 S * 7/2002 Yue D15/140
D551,943 S * 10/2007 Hodjat D8/349
D609,552 S * 2/2010 Anderson D8/349
D623,034 S * 9/2010 Evatt D8/70
D646,542 S * 10/2011 Wackwitz D8/70
D653,523 S * 2/2012 Wackwitz D15/138
D658,482 S * 5/2012 Pratt D8/349



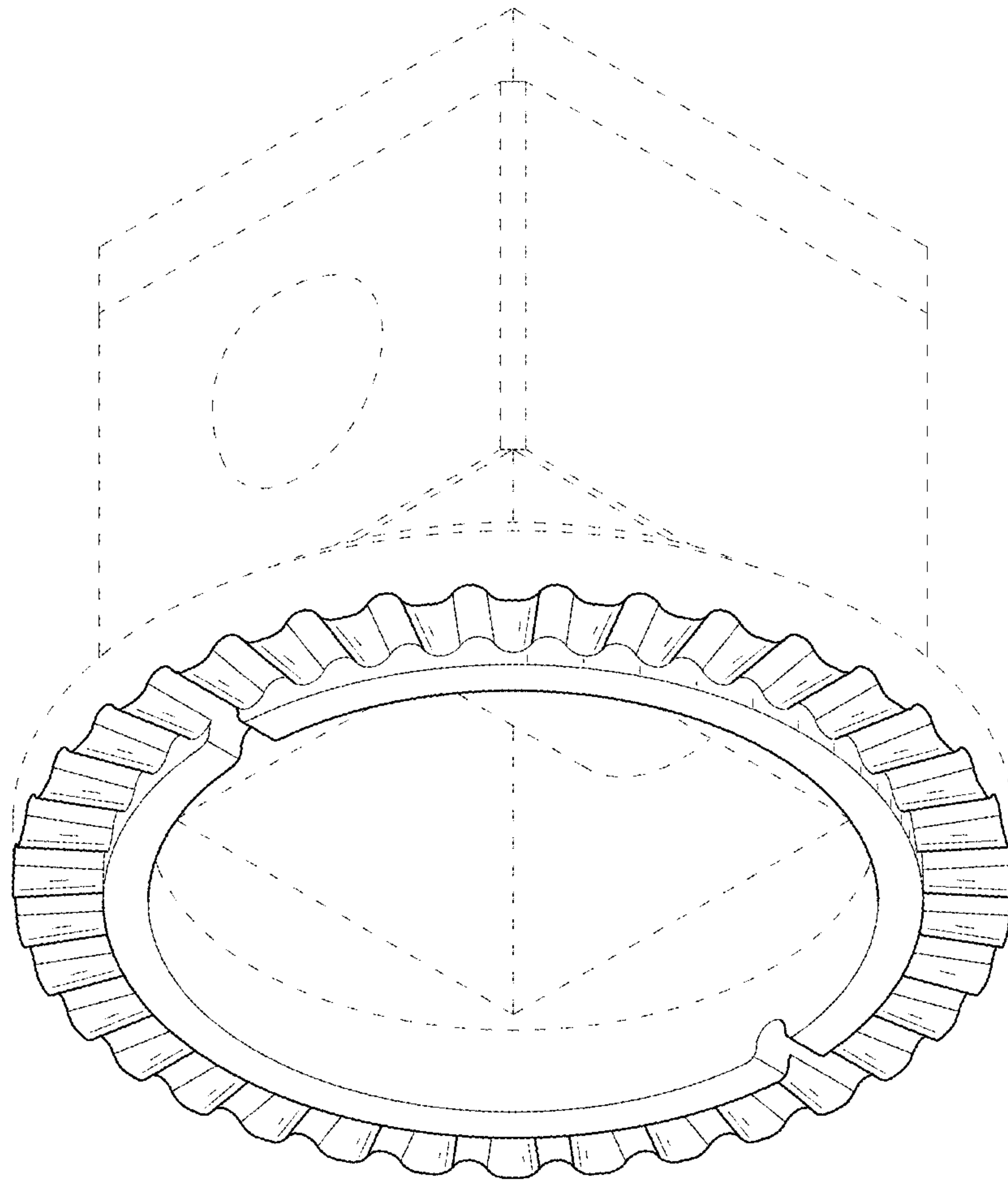


FIG.1

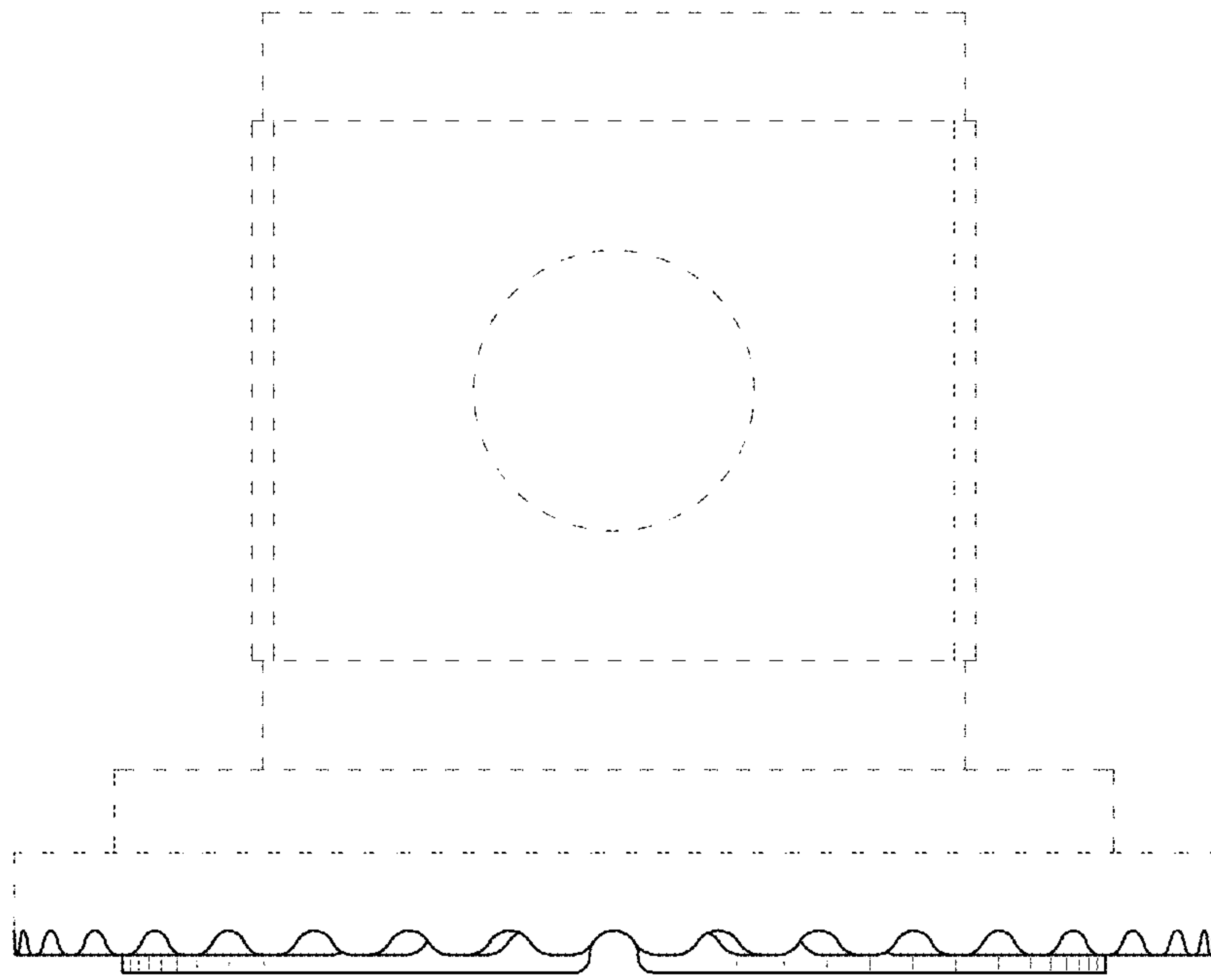


FIG.2

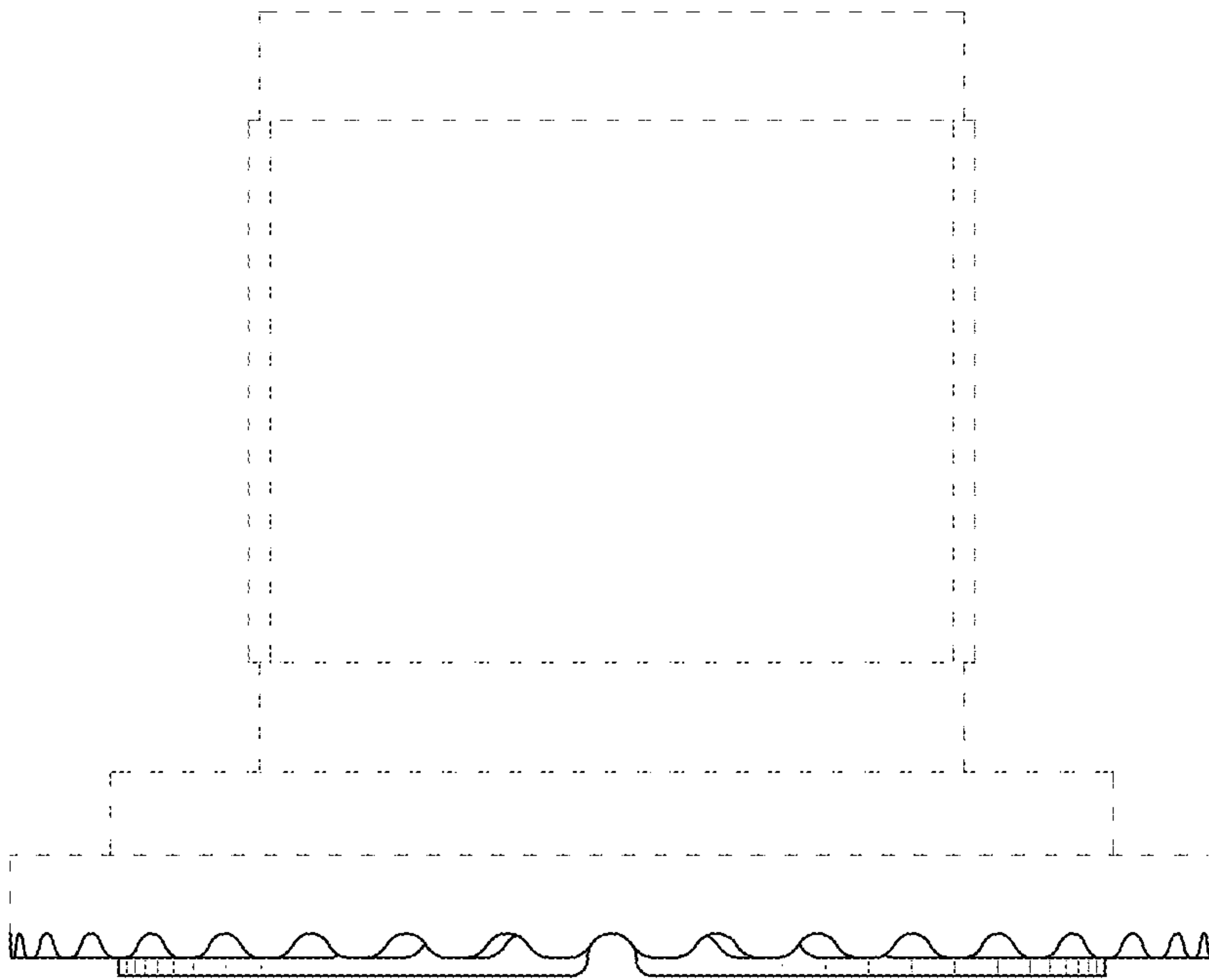


FIG.3

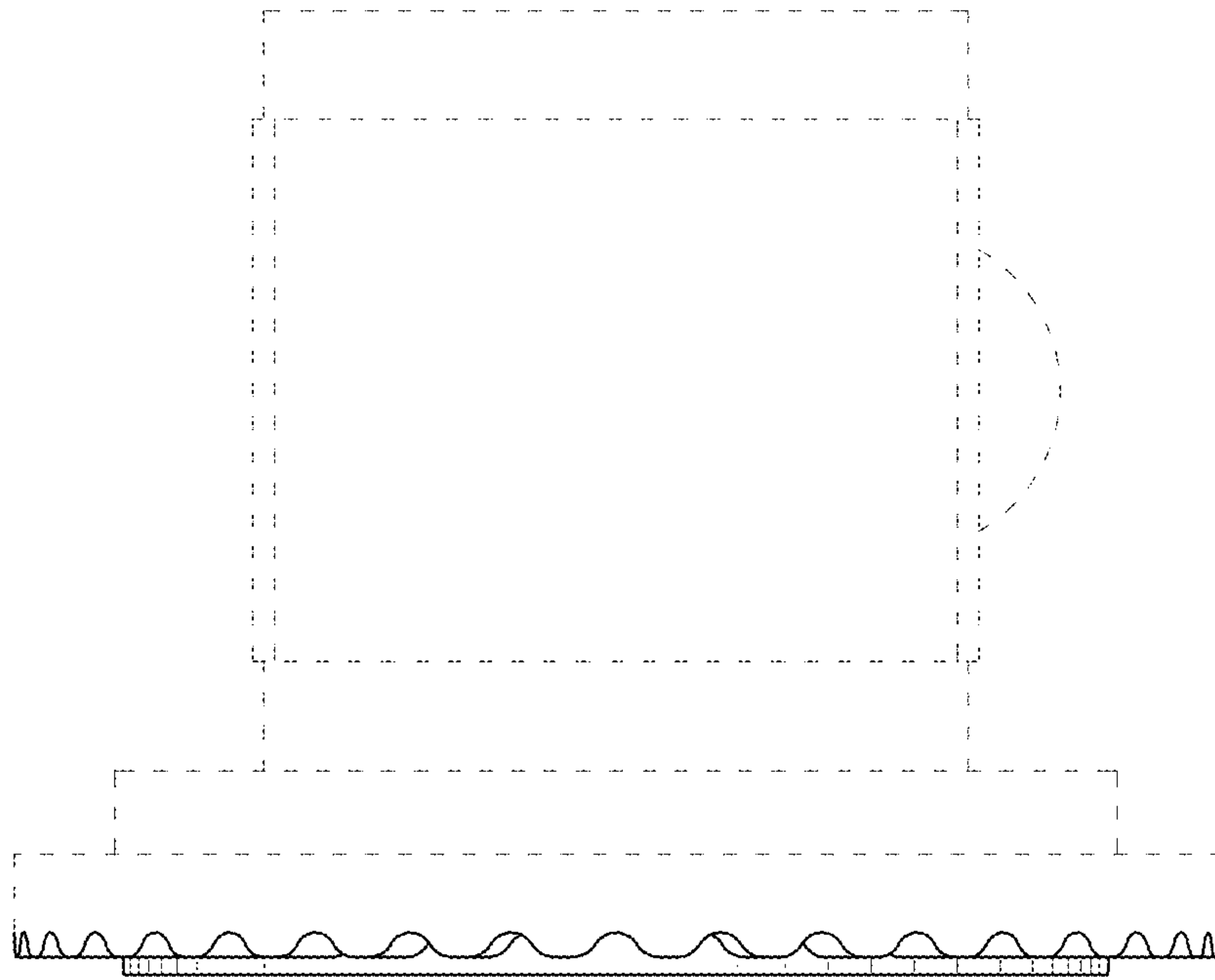


FIG.4

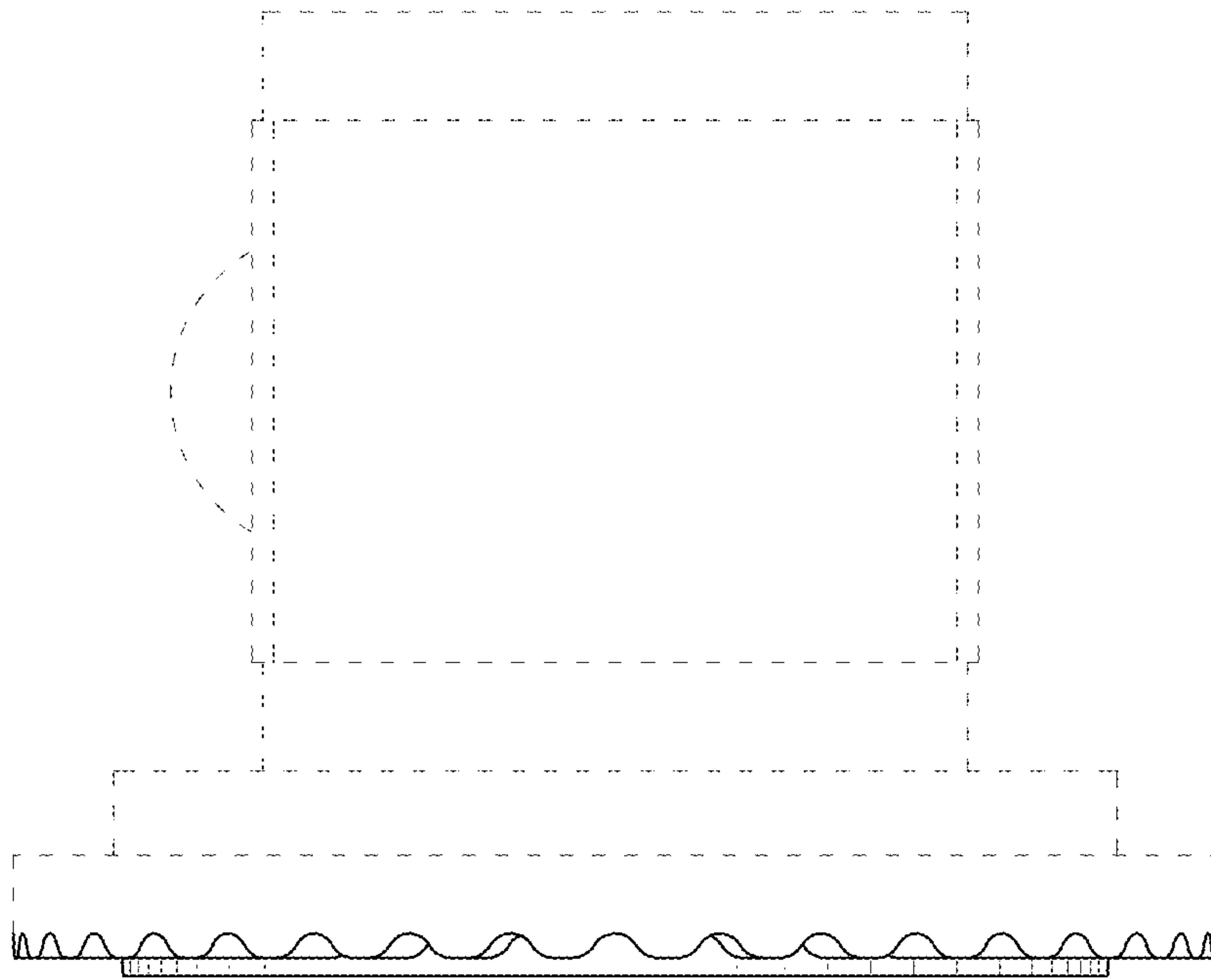


FIG.5

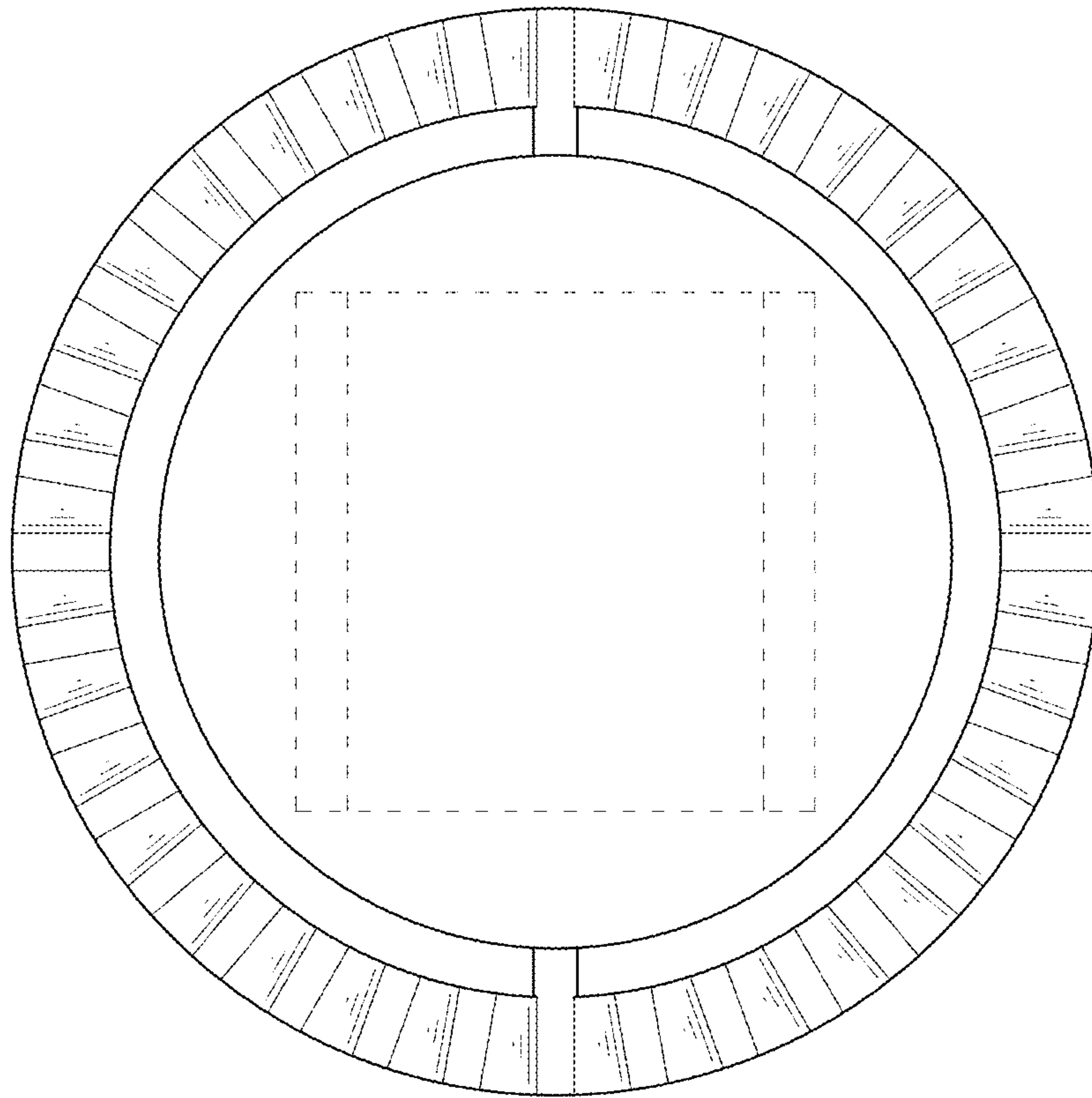


FIG.6